



US00D678664S

(12) **United States Design Patent**
Martinez

(10) **Patent No.:** **US D678,664 S**
(45) **Date of Patent:** **** Mar. 26, 2013**

(54) **SHOE**
(76) Inventor: **Jose Martinez**, Portland, OR (US)
(**) Term: **14 Years**
(21) Appl. No.: **29/422,151**
(22) Filed: **May 17, 2012**
(51) **LOC (9) Cl.** **02-04**
(52) **U.S. Cl.** **D2/917**
(58) **Field of Classification Search** D02/900,
D02/916-919, 946, 969, 974, 896; 36/45,
36/11.5, 3 A, 3 R, 7.5, 7.6, 88, 43
See application file for complete search history.

D577,182 S * 9/2008 Comeau D2/917
D591,488 S * 5/2009 Hardy D2/917
D600,432 S * 9/2009 Feller et al. D2/917

* cited by examiner

Primary Examiner — Robert M Spear
Assistant Examiner — Rashida C McCoy
(74) *Attorney, Agent, or Firm* — Peter A Haas Esquire LLC

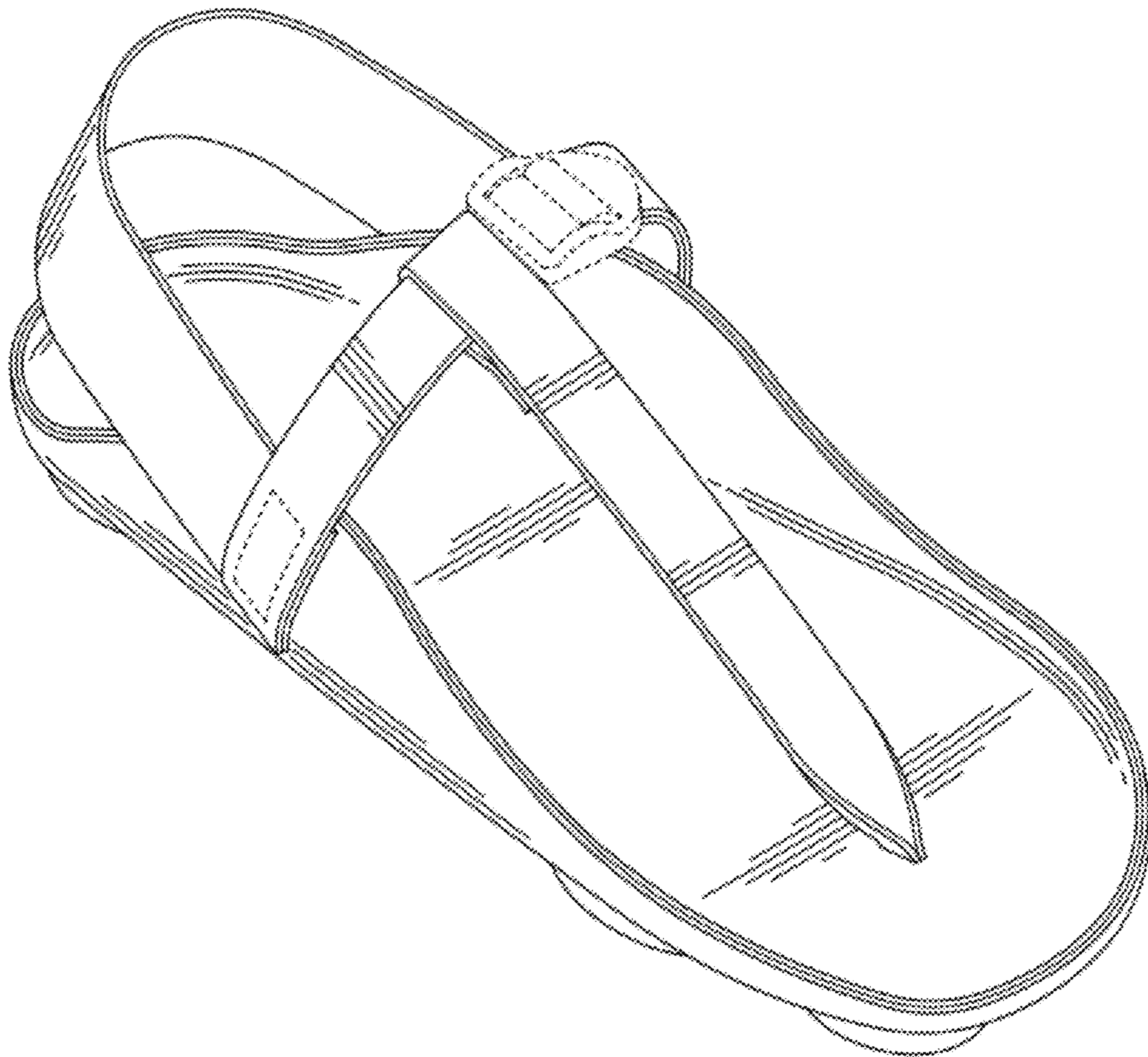
(57) **CLAIM**
The ornamental design for a shoe, as shown and described.

DESCRIPTION

FIG. 1 is a perspective view of the shoe;
FIG. 2 is a left side view of the shoe;
FIG. 3 is a right side view of the shoe;
FIG. 4 is a rear view of the shoe;
FIG. 5 is a front view of the shoe;
FIG. 6 is a top view of the shoe; and,
FIG. 7 is a bottom view of the shoe.
The broken lines in the drawings represent unclaimed environmental subject matter.

(56) **References Cited**
U.S. PATENT DOCUMENTS
D169,015 S * 3/1953 Ssicca D2/917
D217,083 S * 4/1970 Englebert D2/917
D448,146 S * 9/2001 Jacobs D2/917
D496,147 S * 9/2004 Comeau D2/917
D564,747 S * 3/2008 Belley et al. D2/969

1 Claim, 5 Drawing Sheets



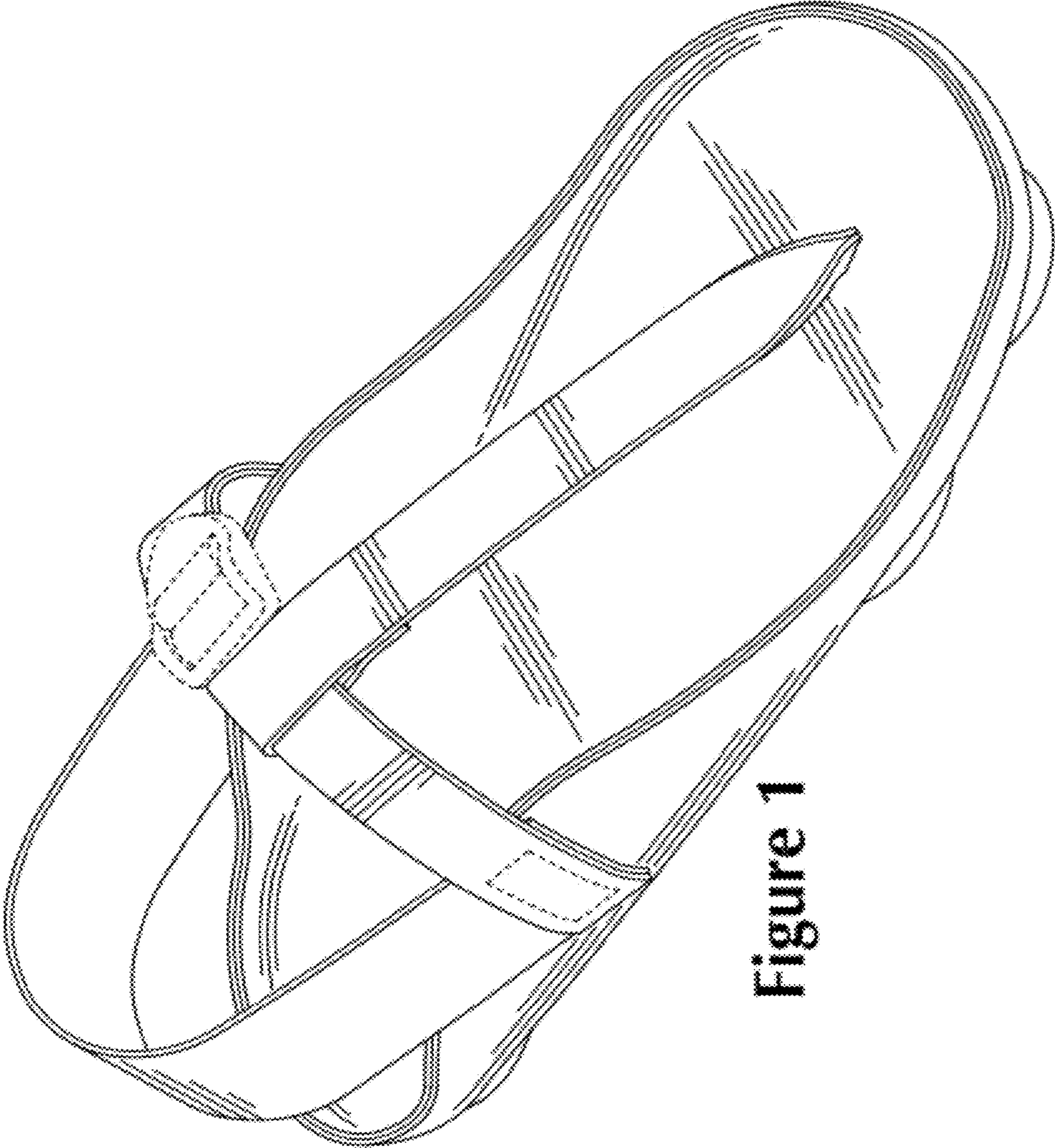


Figure 1

Figure 2

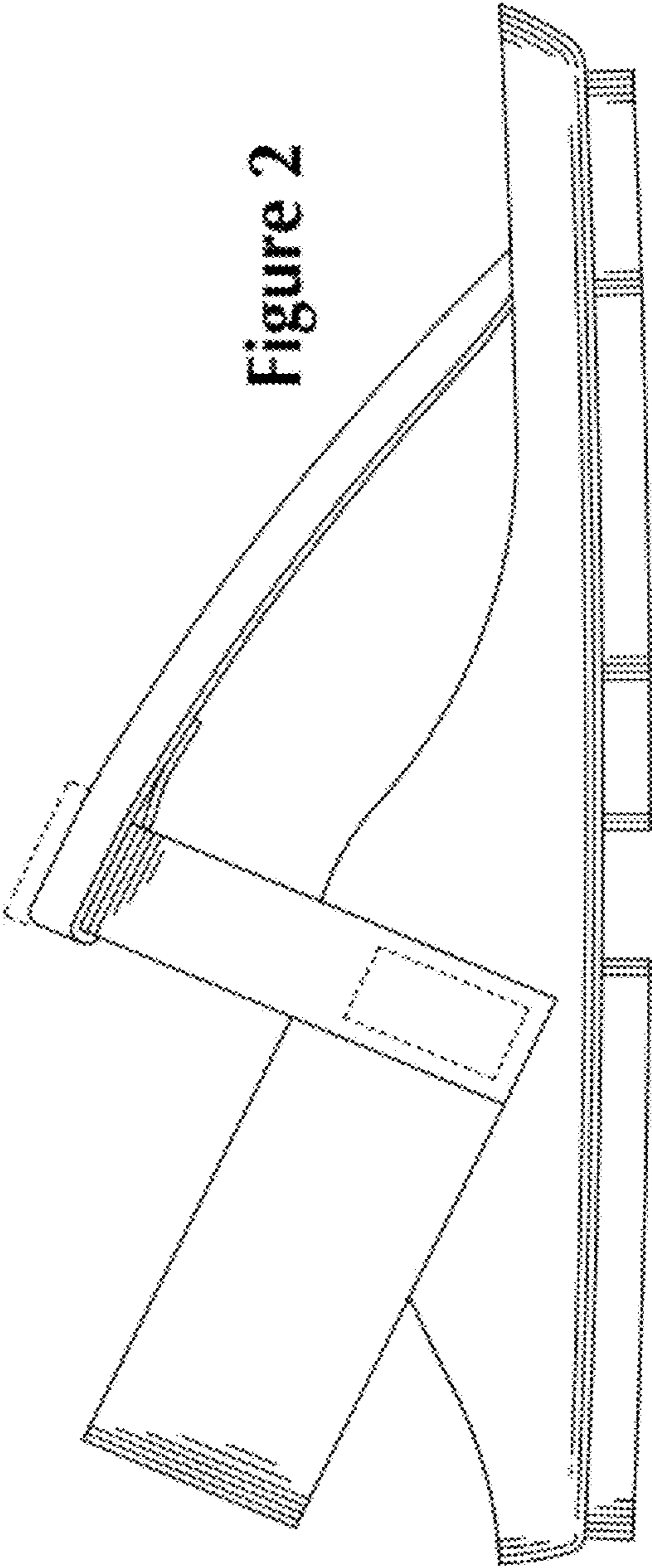
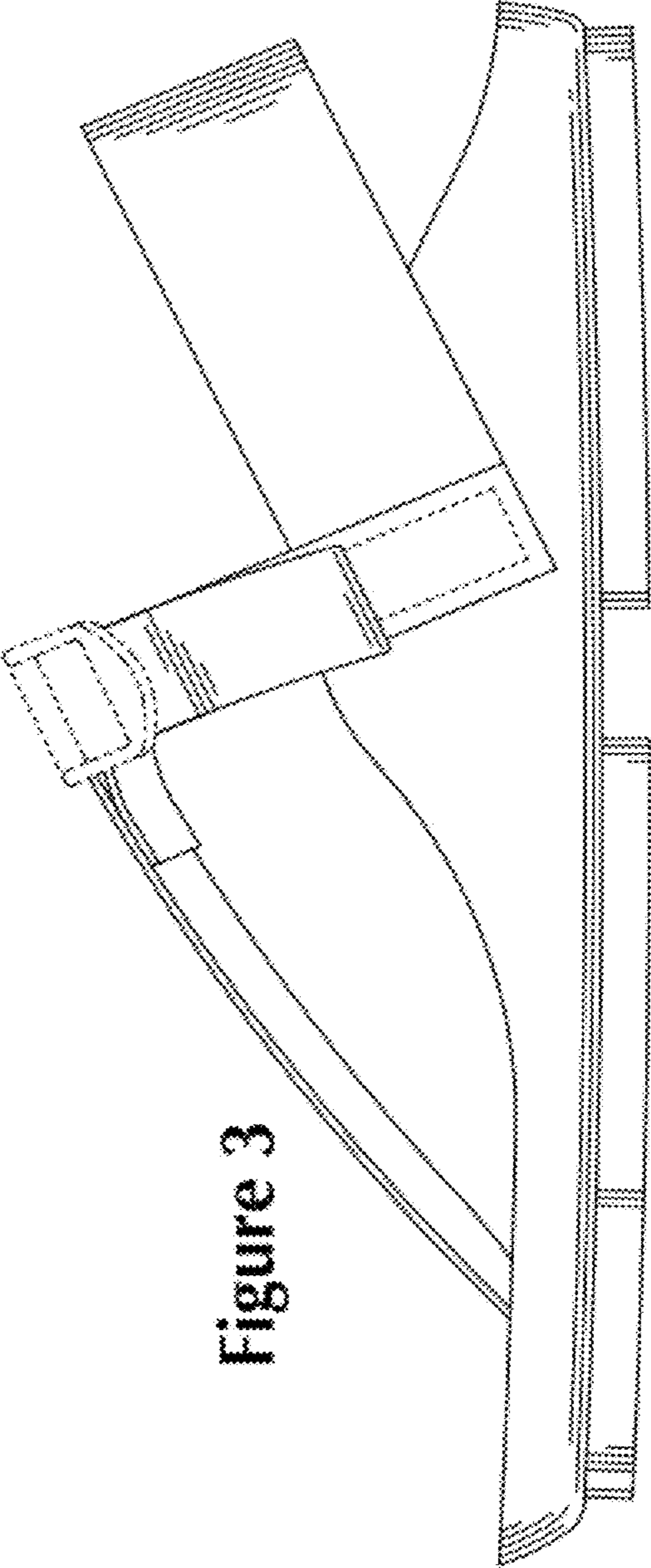


Figure 3



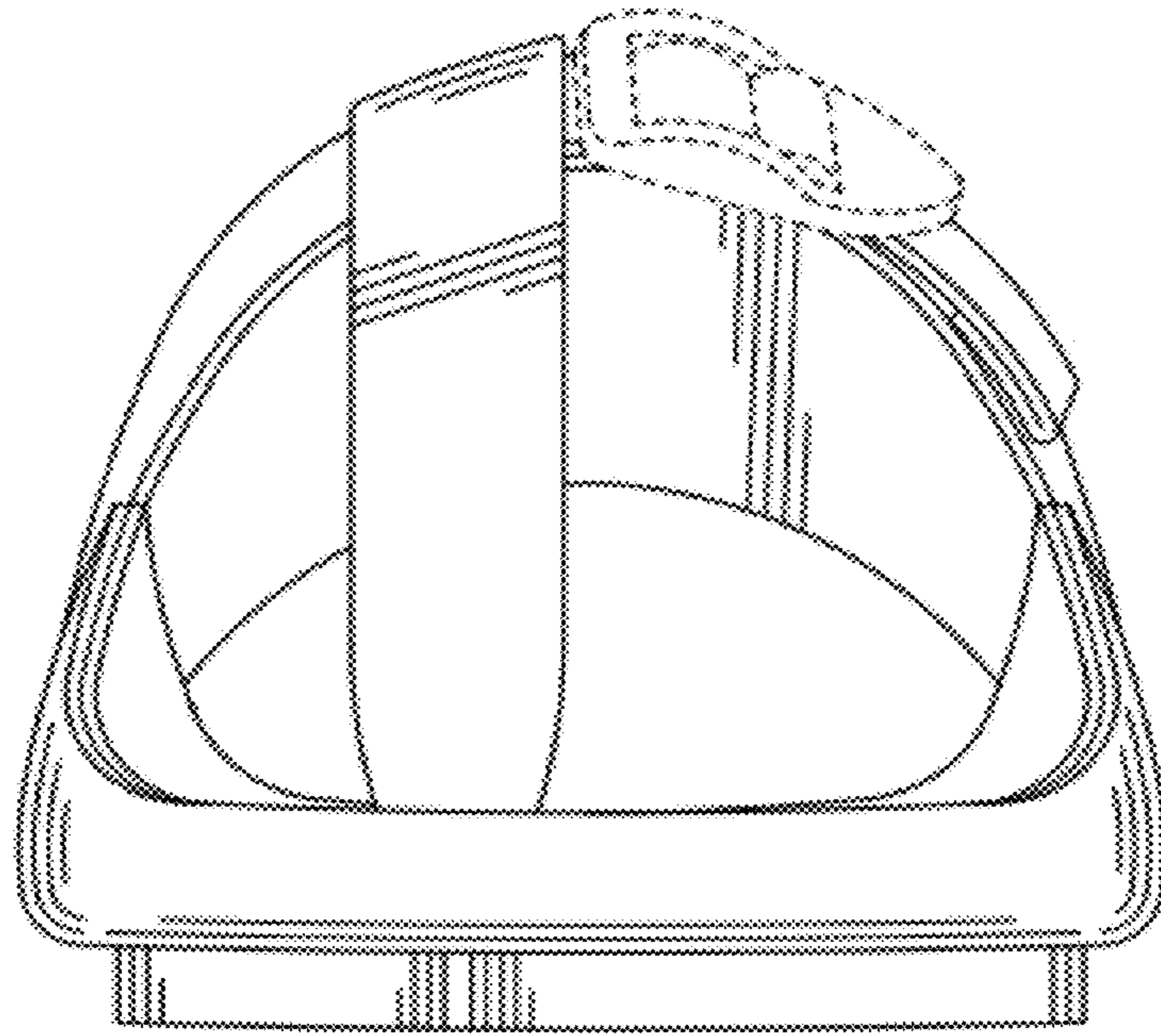


Figure 4

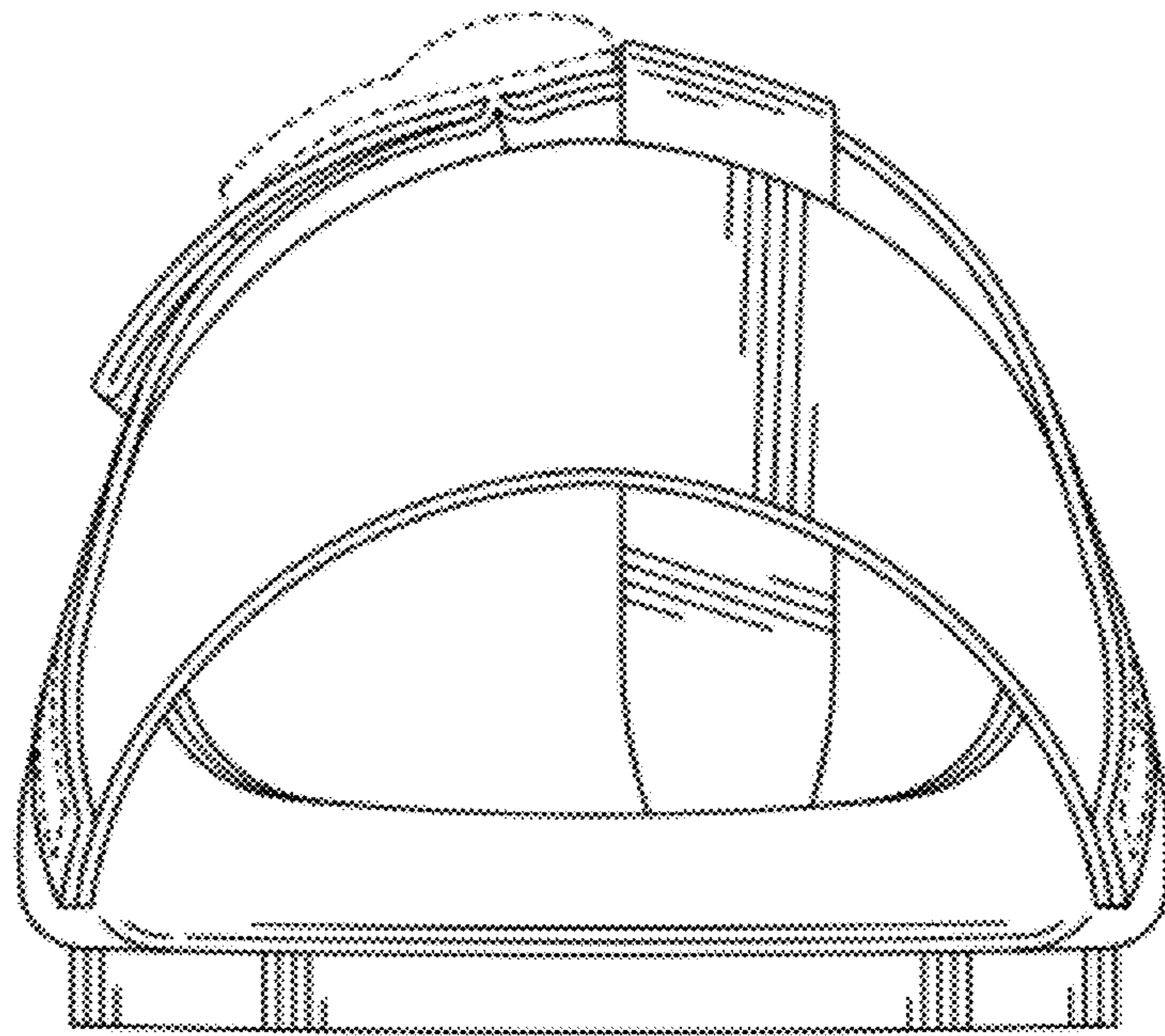


Figure 5

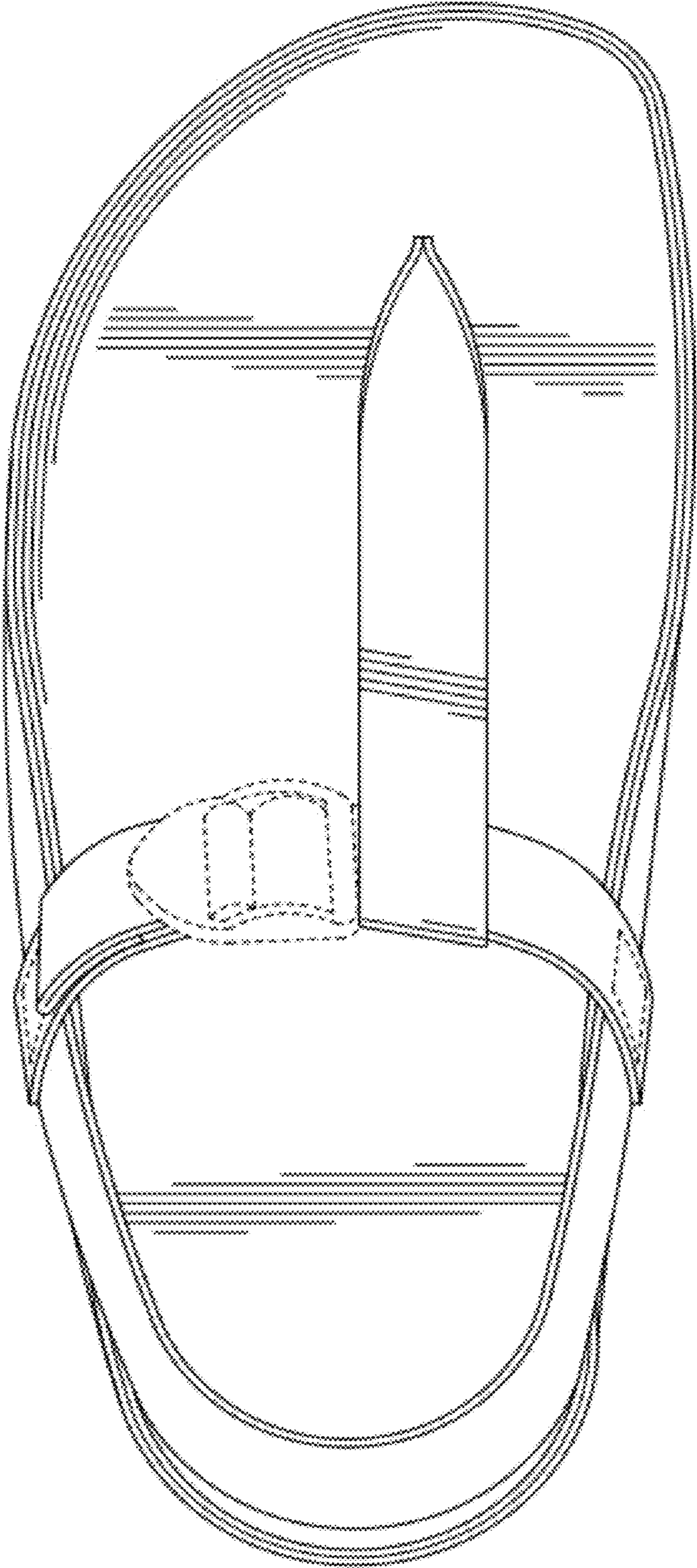


Figure 6

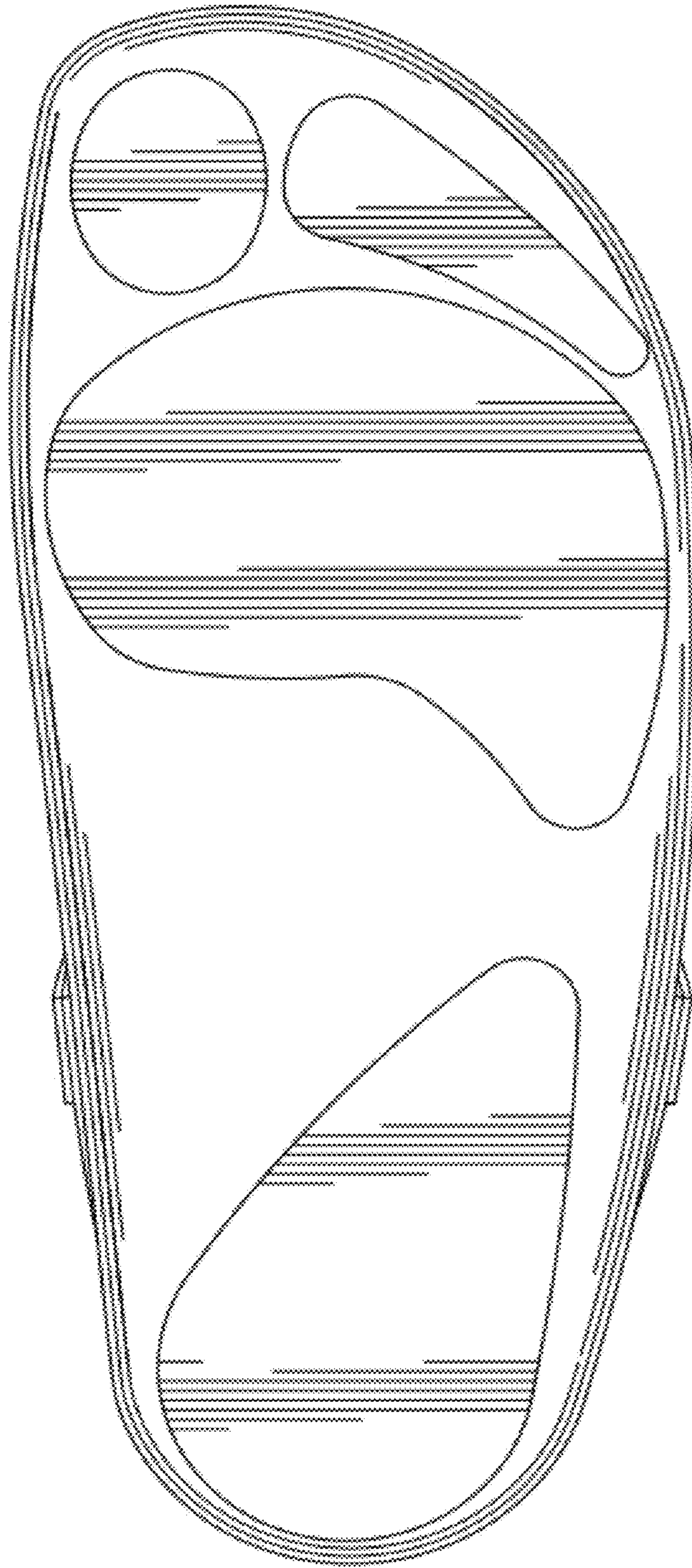


Figure 7