

US00D678652S

(12) **United States Design Patent**
Budde et al.

(10) **Patent No.:** **US D678,652 S**
(45) **Date of Patent:** **** Mar. 19, 2013**

(54) **FINANCIAL TRANSACTION MACHINE**

(75) Inventors: **William Budde**, Dublin, OH (US);
Giancarlo Miranda, Columbus, OH (US); **Joseph Bradley Nolan**, New Albany, OH (US); **Sanghwan Kweon**, Gyeonggi-do (KR); **Heeyoun Lee**, Gyeonggi-do (KR); **Jaemin Cha**, Gyeonggi-do (KR); **Joe Militello**, Dayton, OH (US); **Matt Williams**, Delaware, OH (US)

(73) Assignee: **JPMorgan Chase Bank, N.A.**, New York, NY (US)

(**) Term: **14 Years**

(21) Appl. No.: **29/405,615**

(22) Filed: **Nov. 3, 2011**

(51) **LOC (9) Cl.** **20-01**

(52) **U.S. Cl.** **D99/28; D14/901; D14/902**

(58) **Field of Classification Search** D99/28, D99/34, 35, 36, 43, 99; D18/3.1, 3.3, 12, D18/12.1, 12.2, 12.3, 4.4, 4.5, 4.6; D20/1, D20/2; D14/125, 126, 127, 129, 314, 300, D14/301, 307, 333, 334, 335, 338, 339, 340, D14/900-902; D21/329, 369, 370; 109/2, 109/9, 24.1, 25, 66, 1 V; 235/379, 380, 381, 235/382, 382.5

See application file for complete search history.

(56) **References Cited**

U.S. PATENT DOCUMENTS

D282,305 S	1/1986	Kusenberg
4,617,457 A	10/1986	Granzow et al.
D289,215 S	4/1987	Prinzhorn
D293,150 S	12/1987	Prinzhorn
5,025,139 A	6/1991	Halliburton, Jr.
5,229,757 A *	7/1993	Takamiya et al. 345/168
D360,734 S	7/1995	Hall
D360,735 S	7/1995	Hall
D360,739 S	7/1995	Hall
5,482,139 A	1/1996	Rivalto
5,513,117 A	4/1996	Small

5,526,615 A	6/1996	Kaizu et al.
D375,607 S	11/1996	Hall
5,619,558 A	4/1997	Jheeta
5,705,798 A	1/1998	Tarbox
5,721,781 A	2/1998	Deo et al.
D404,025 S *	1/1999	Van Horne et al. D14/331
5,897,625 A	4/1999	Gustin et al.
5,915,246 A	6/1999	Patterson et al.
D414,485 S *	9/1999	Hazan D14/130
6,006,988 A	12/1999	Behrmann et al.
6,045,039 A	4/2000	Stinson et al.
D430,379 S *	8/2000	Massey D99/28
6,149,046 A	11/2000	Ho et al.
6,536,663 B1	3/2003	Lozier et al.
6,554,184 B1	4/2003	Amos
6,554,185 B1	4/2003	Montross et al.
D483,761 S *	12/2003	Berr et al. D14/383
6,796,490 B1	9/2004	Drummond et al.
6,874,612 B1	4/2005	Uland
7,039,600 B1	5/2006	Meek et al.
D529,255 S *	9/2006	Sato D99/28
7,191,948 B1 *	3/2007	Baitz et al. 235/462.43
7,379,896 B1	5/2008	Meek et al.
D597,138 S *	7/2009	Herndon et al. D20/2
D603,125 S *	10/2009	Lara Bartolome D99/28
D605,190 S *	12/2009	Kuroda et al. D14/307

(Continued)

Primary Examiner — Elizabeth J Oswecki

(74) *Attorney, Agent, or Firm* — Hunton & Williams LLP

(57) **CLAIM**

We claim the ornamental design for a financial transaction machine, as shown and described.

DESCRIPTION

FIG. 1 is a front, perspective view of a financial transaction machine showing our new design.

FIG. 2 is a front elevational view of FIG. 1.

FIG. 3 is a back elevational view of FIG. 1.

FIG. 4 is a side elevational view of FIG. 1.

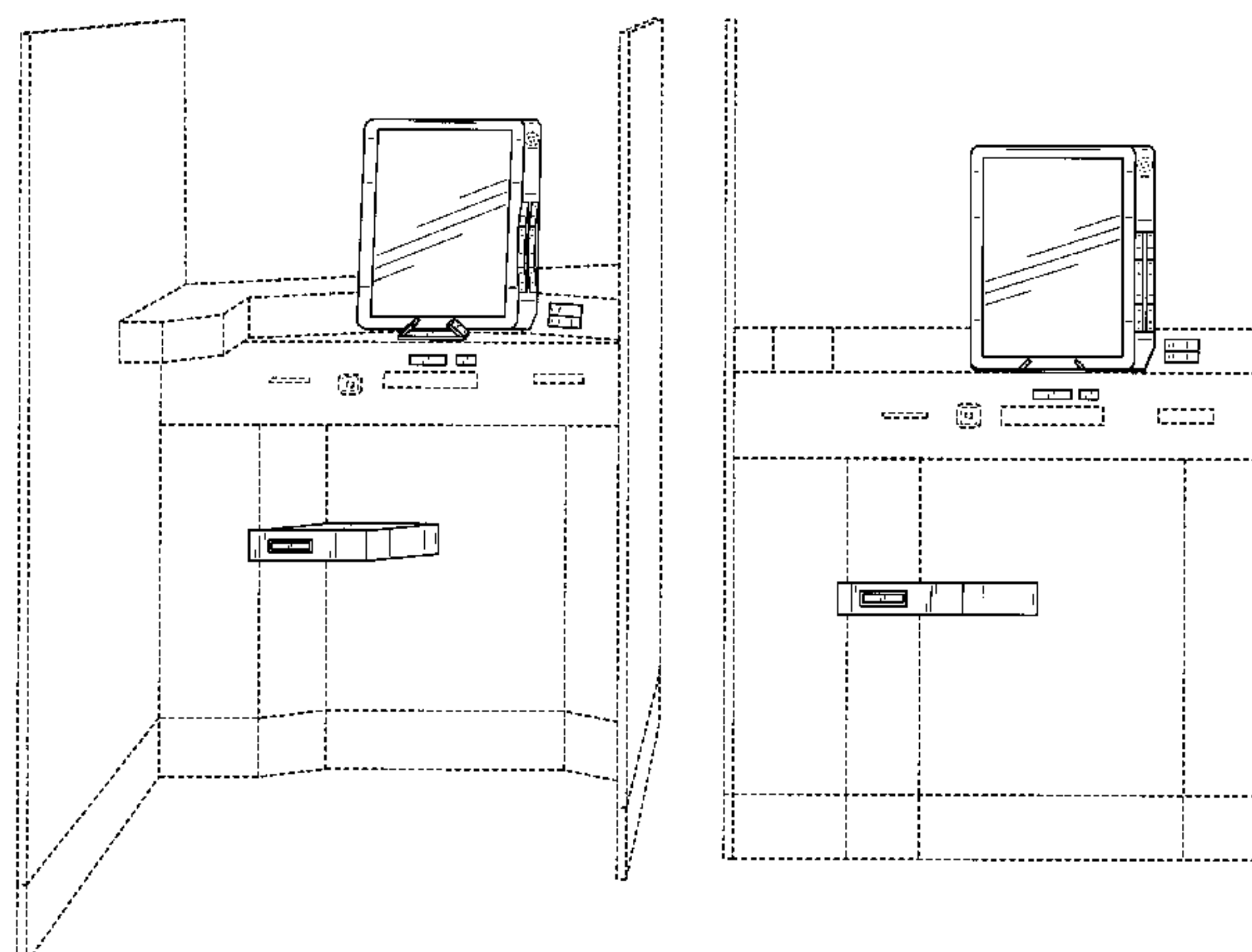
FIG. 5 is an opposite side elevational view of FIG. 1.

FIG. 6 is a top plan view of FIG. 1; and,

FIG. 7 is a bottom plan view of FIG. 1.

The broken lines in the drawings illustrate environmental structure on the article and form no part of the claimed design.

1 Claim, 7 Drawing Sheets



US D678,652 S

Page 2

U.S. PATENT DOCUMENTS

D606,536 S *	12/2009	Smith et al.	D14/336	D637,595 S *	5/2011	Mizusugi	D14/307
D614,687 S *	4/2010	Ono	D18/4.5	D653,835 S *	2/2012	Stremack et al.	D99/43
D615,120 S *	5/2010	Ono	D18/4.5	2002/0133461 A1	9/2002	Ramachandran	
D620,519 S *	7/2010	Branck et al.	D18/4.4	2002/0149905 A1*	10/2002	Jackson, Jr.	361/681
D626,544 S *	11/2010	Bleck et al.	D14/307	2003/0040959 A1	2/2003	Fei et al.	
D626,545 S *	11/2010	Bleck et al.	D14/307				

* cited by examiner

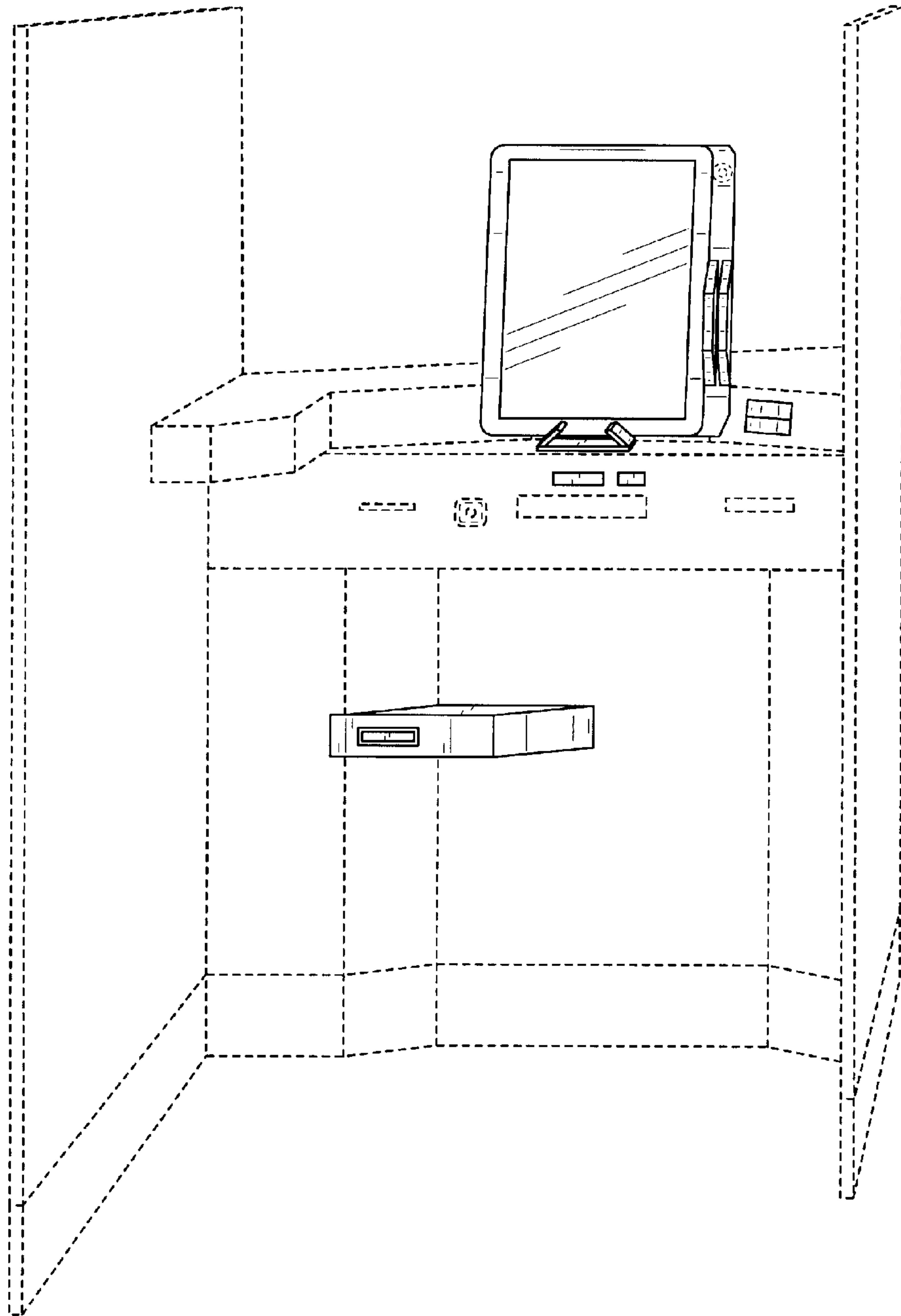


FIG. 1

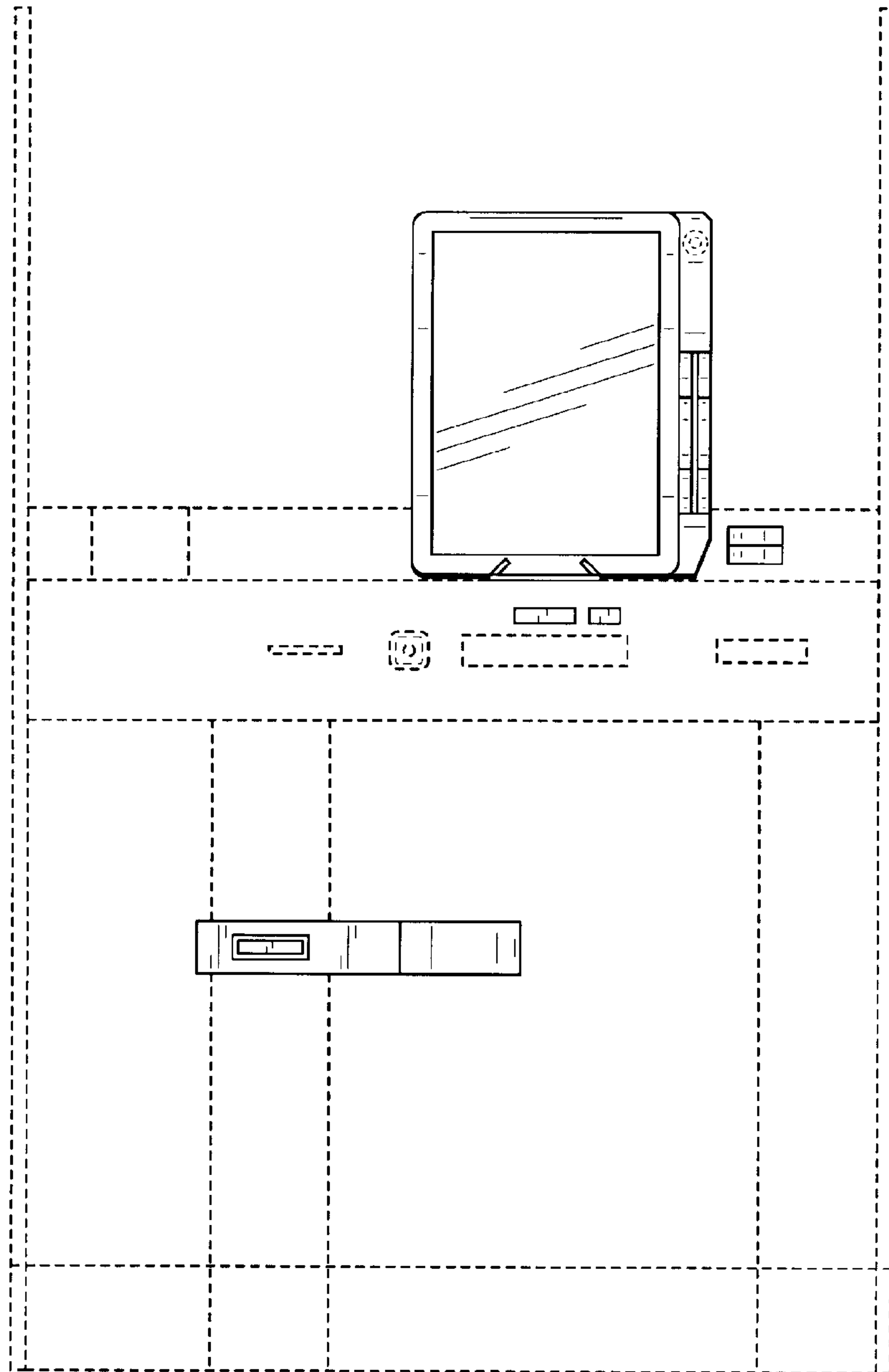


FIG. 2

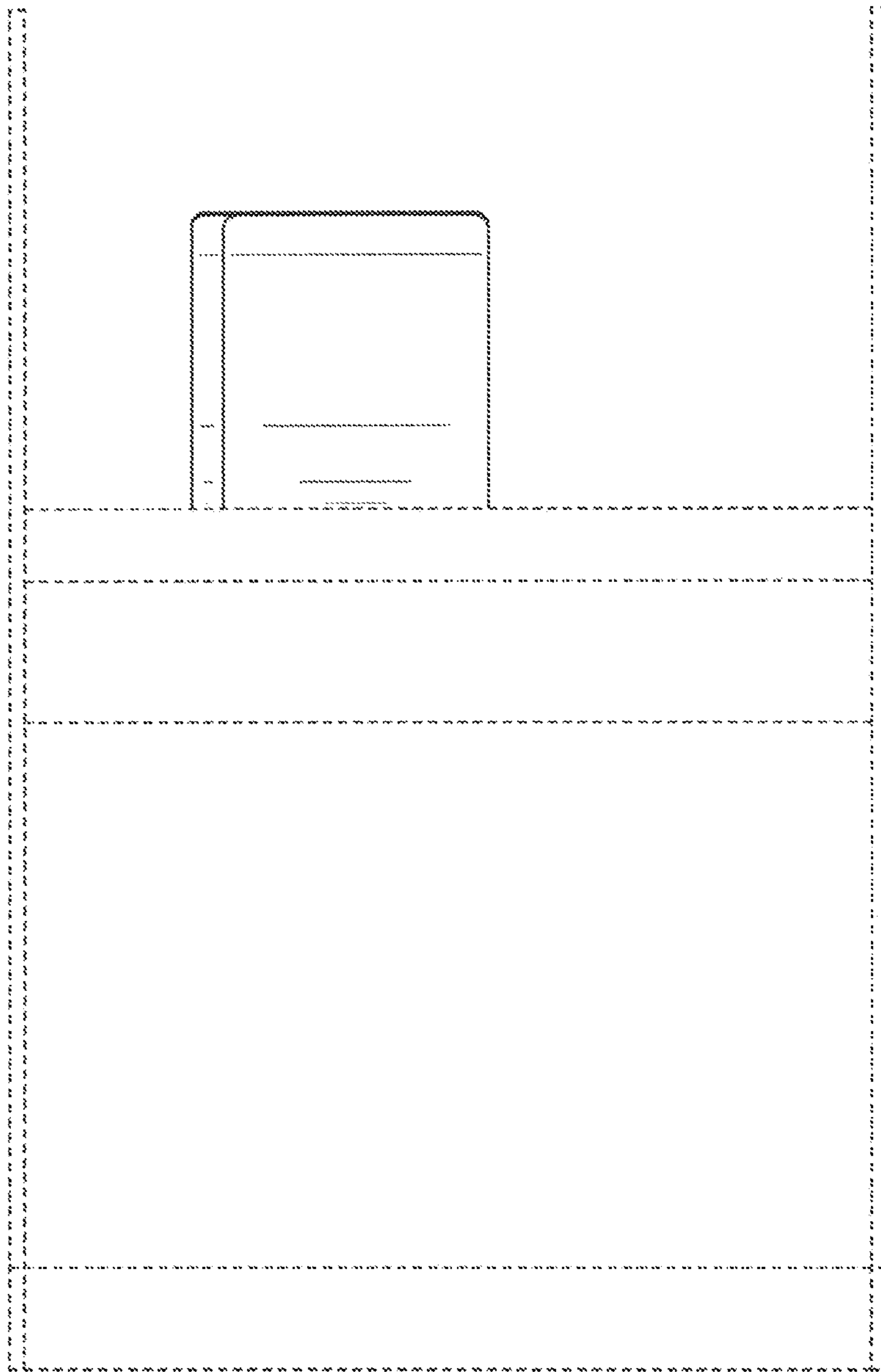


FIG. 3

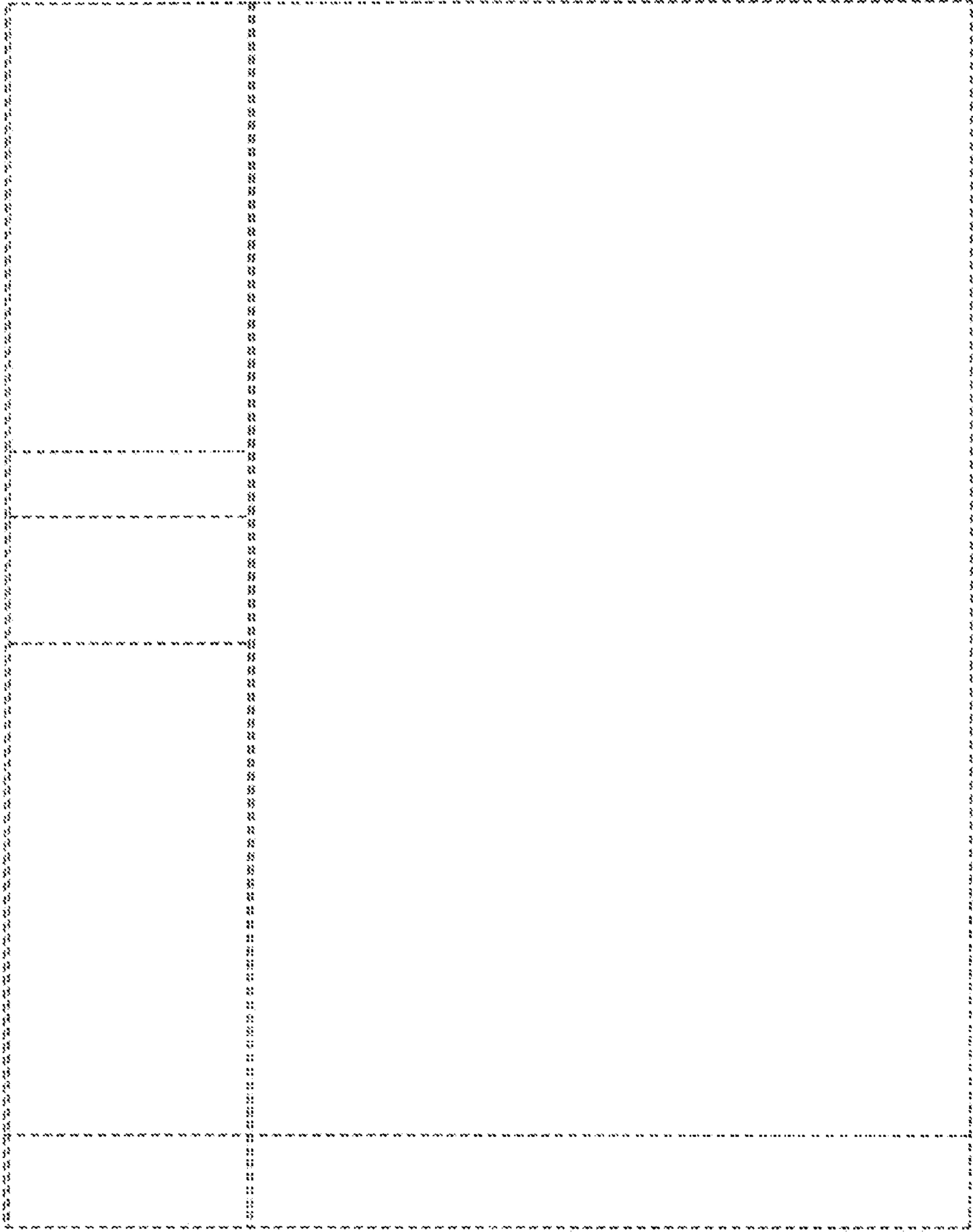


FIG. 4

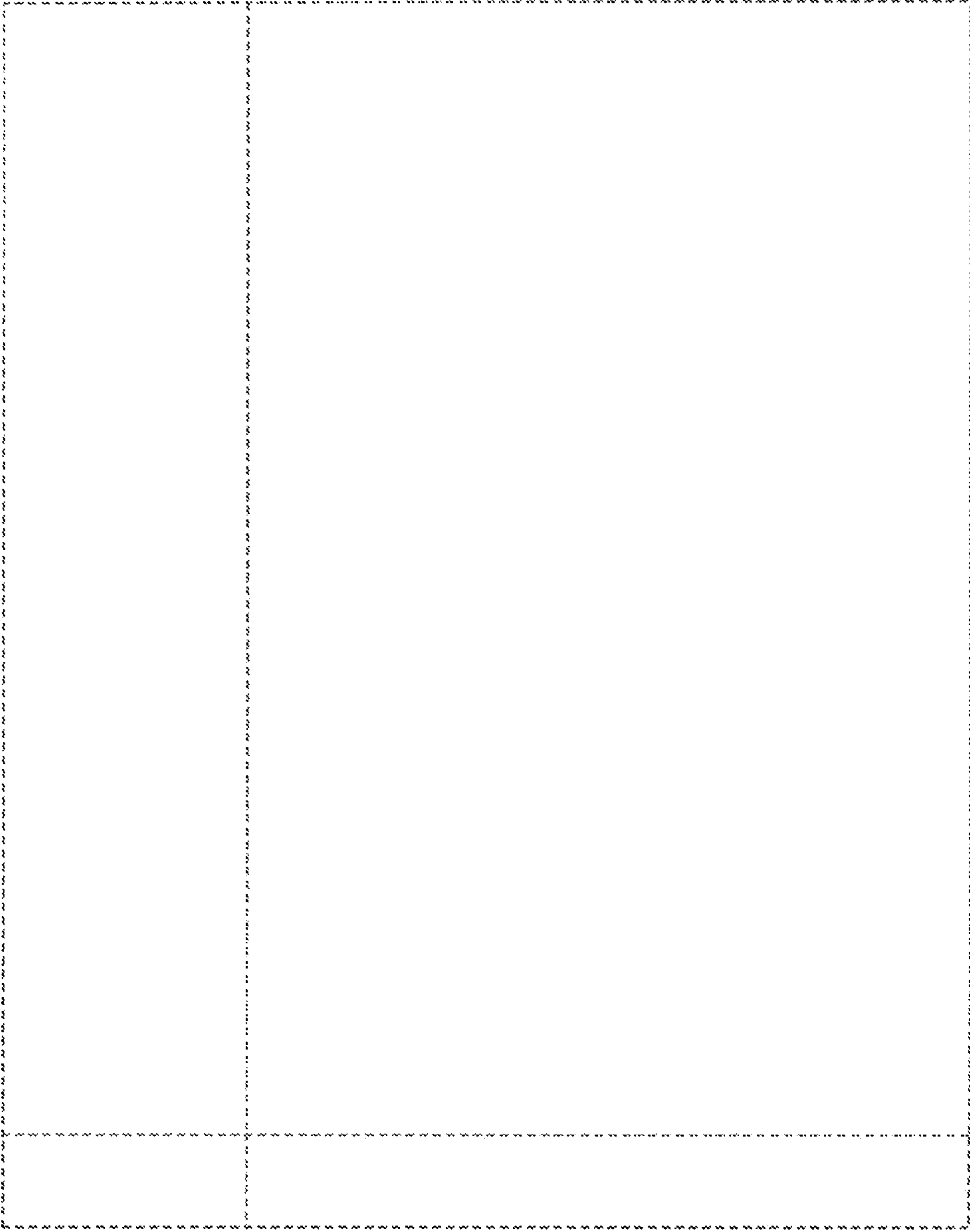


FIG. 5

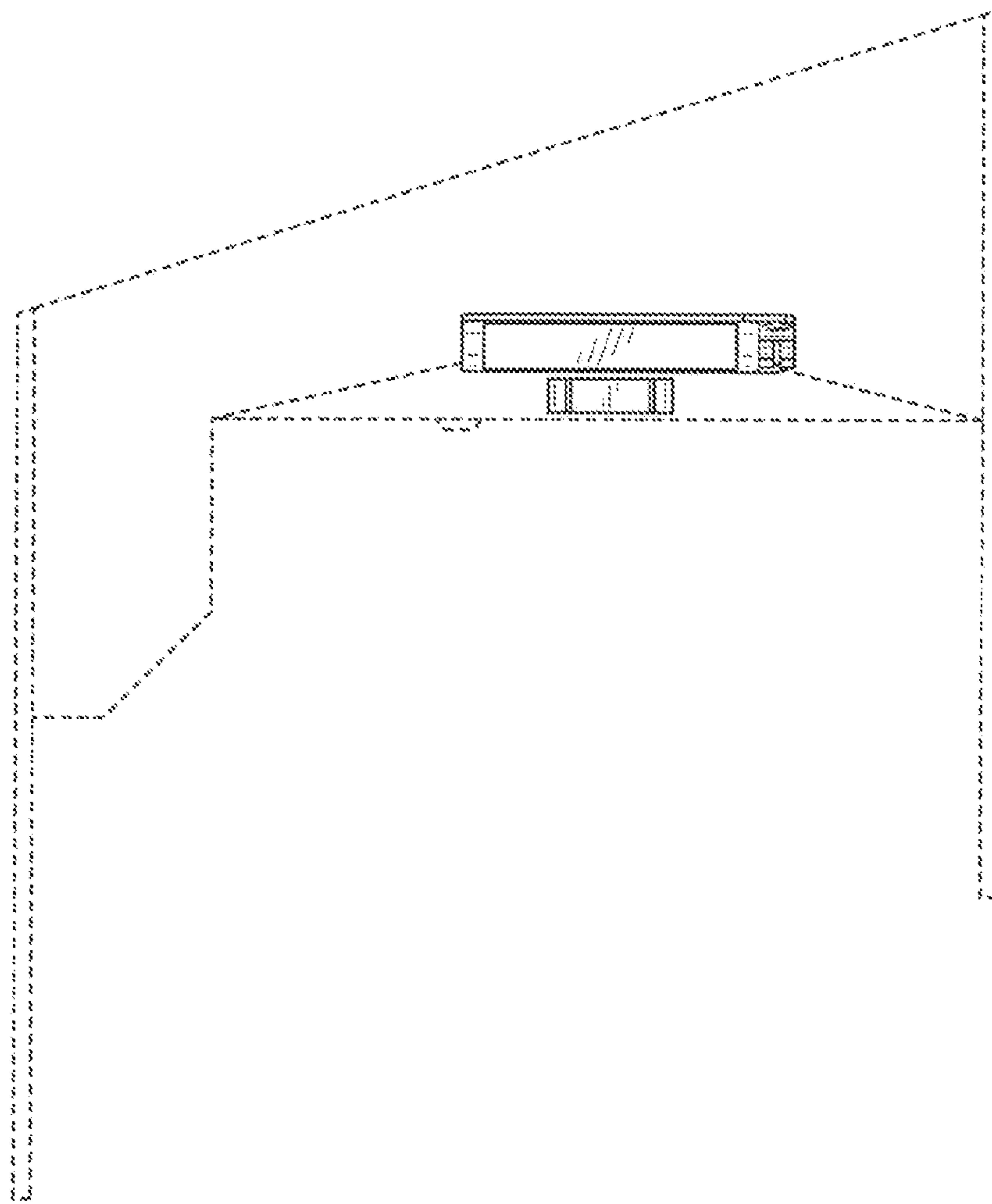


FIG. 6

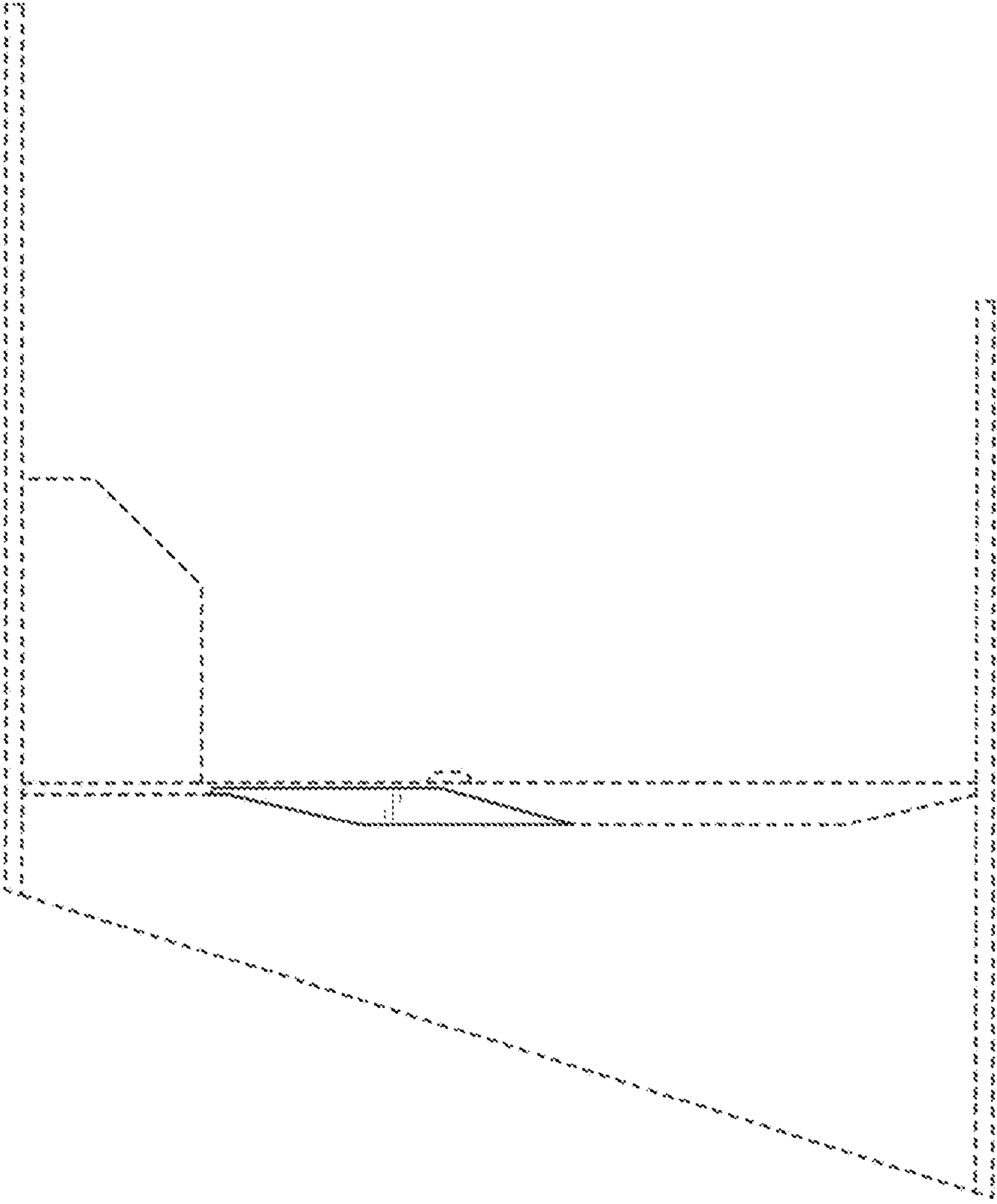


FIG. 7