



US00D678651S

(12) **United States Design Patent**  
**Bartolome**

(10) **Patent No.:** **US D678,651 S**  
(45) **Date of Patent:** **\*\* Mar. 19, 2013**

- (54) **AUTOMATIC TELLER MACHINE**
- (75) Inventor: **Beatriz Angela Lara Bartolome**, Bilbao (ES)
- (73) Assignee: **Banco Bilbao Vizcaya Argentaria, S.A.** (ES)
- (\*\*) Term: **14 Years**
- (21) Appl. No.: **29/383,398**
- (22) Filed: **Jan. 17, 2011**
- (30) **Foreign Application Priority Data**

- Dec. 14, 2010 (EP) ..... 001793027
- (51) **LOC (9) Cl.** ..... **99-00**
- (52) **U.S. Cl.** ..... **D99/28; D14/901; D14/902**
- (58) **Field of Classification Search** ..... D99/28, D99/34, 35, 36, 37, 43, 99; D20/1-6, 8, D20/9; D18/3.1, 3.3, 4.1, 4.4, 4.5, 4.6, 12, D18/12.1; 235/379, 380, 381, 382, 382.5; 194/205, 206; 109/24.1, 1 V, 2; 52/36.1; D14/900-902

See application file for complete search history.

(56) **References Cited**

**U.S. PATENT DOCUMENTS**

- D360,734 S \* 7/1995 Hall ..... D99/28
- D360,737 S \* 7/1995 Helbig, Jr. .... D99/28
- D388,229 S \* 12/1997 Couch ..... D99/28
- D396,931 S \* 8/1998 Ng ..... D99/28
- D405,833 S \* 2/1999 Mussett ..... D20/1
- D410,129 S \* 5/1999 Molander et al. .... D99/28
- D412,233 S \* 7/1999 Cajacob et al. .... D99/28
- D437,468 S \* 2/2001 Fukutake et al. .... D99/28

- D449,420 S \* 10/2001 Sommerville et al. .... D99/28
- D454,421 S \* 3/2002 Jeon et al. .... D99/28
- D455,536 S \* 4/2002 Lowe ..... D99/28
- D456,587 S \* 4/2002 Kit et al. .... D99/28
- D481,515 S \* 10/2003 Magee et al. .... D99/28
- D492,080 S \* 6/2004 Magee et al. .... D99/28
- D530,880 S \* 10/2006 Magee et al. .... D99/28
- D538,505 S \* 3/2007 Kang et al. .... D99/28
- D584,875 S \* 1/2009 Bleck ..... D99/28
- D596,374 S \* 7/2009 Kang et al. .... D99/28
- D625,305 S \* 10/2010 Bleck et al. .... D14/307
- D629,585 S \* 12/2010 Bleck et al. .... D99/28
- D645,223 S \* 9/2011 Bleck et al. .... D99/28
- 2005/0029340 A1 \* 2/2005 Ferraro ..... 235/379
- 2006/0073883 A1 \* 4/2006 Franks, Jr. .... 463/25
- 2008/0265019 A1 \* 10/2008 Artino et al. .... 235/379
- 2008/0296365 A1 \* 12/2008 Schliebe ..... 235/379

\* cited by examiner

*Primary Examiner* — Elizabeth J Oswecki

(74) *Attorney, Agent, or Firm* — Cantor Colburn LLP

(57) **CLAIM**

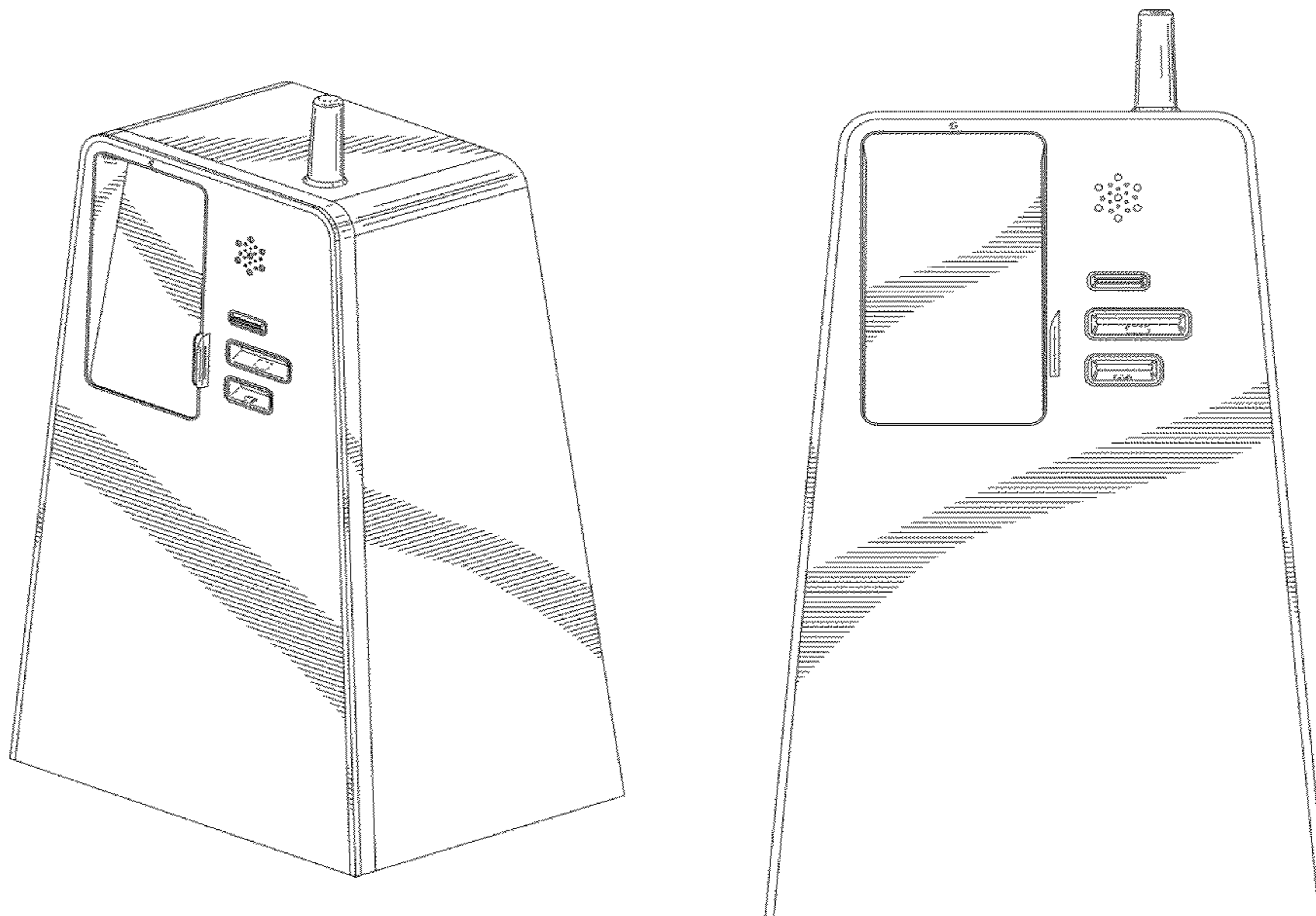
The ornamental design for automatic teller machine, as shown and described.

**DESCRIPTION**

FIG. 1 is a front perspective view of an automatic teller machine, showing my new design;  
 FIG. 2 is a front elevation view thereof;  
 FIG. 3 is a top plan view thereof;  
 FIG. 4 is a left side elevation view thereof;  
 FIG. 5 is a rear elevation view thereof;  
 FIG. 6 is a right side elevation view thereof; and,  
 FIG. 7 is a bottom plan view.

The portions of the automatic teller machine shown in broken lines form no part of the claimed design.

**1 Claim, 7 Drawing Sheets**



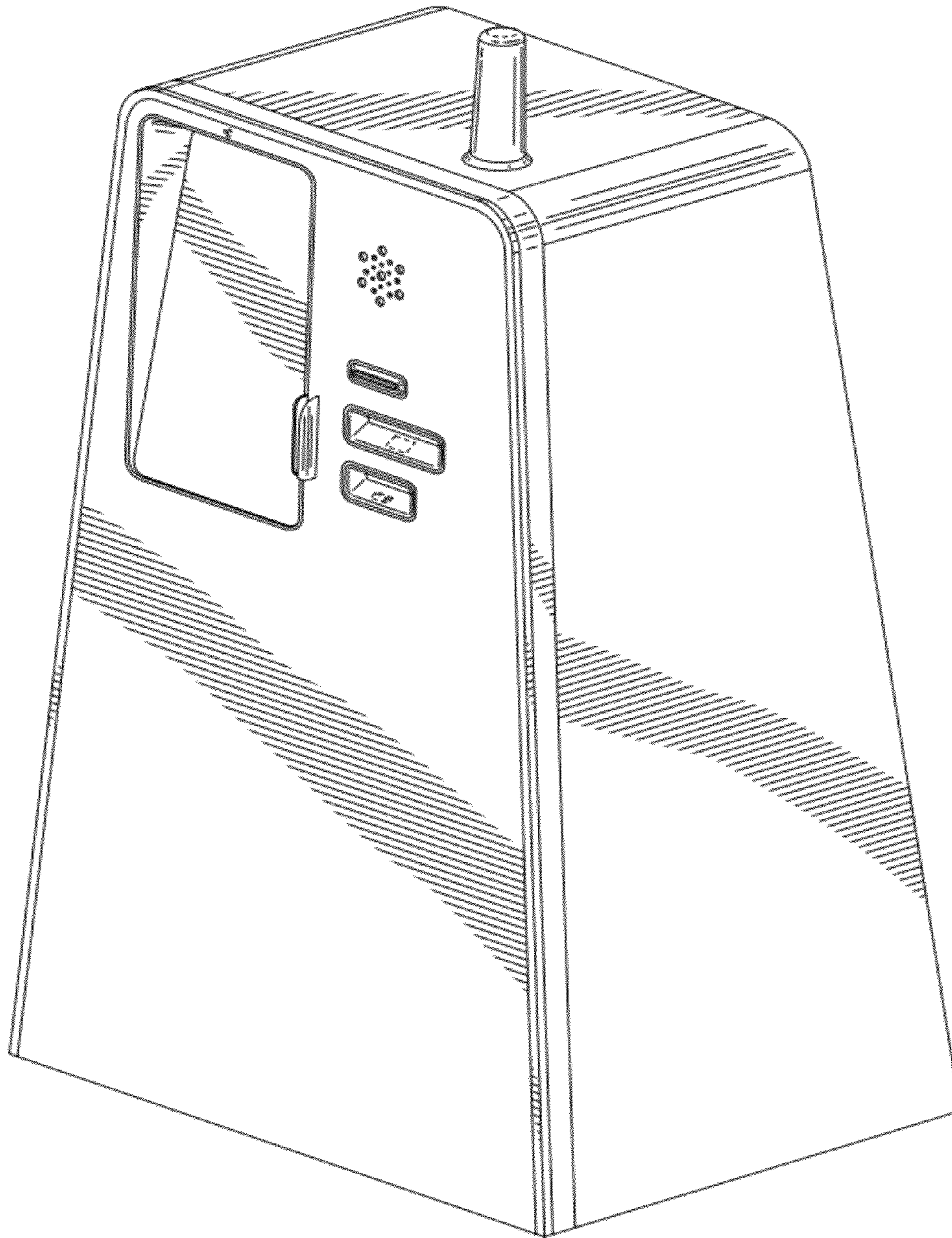


FIG. 1



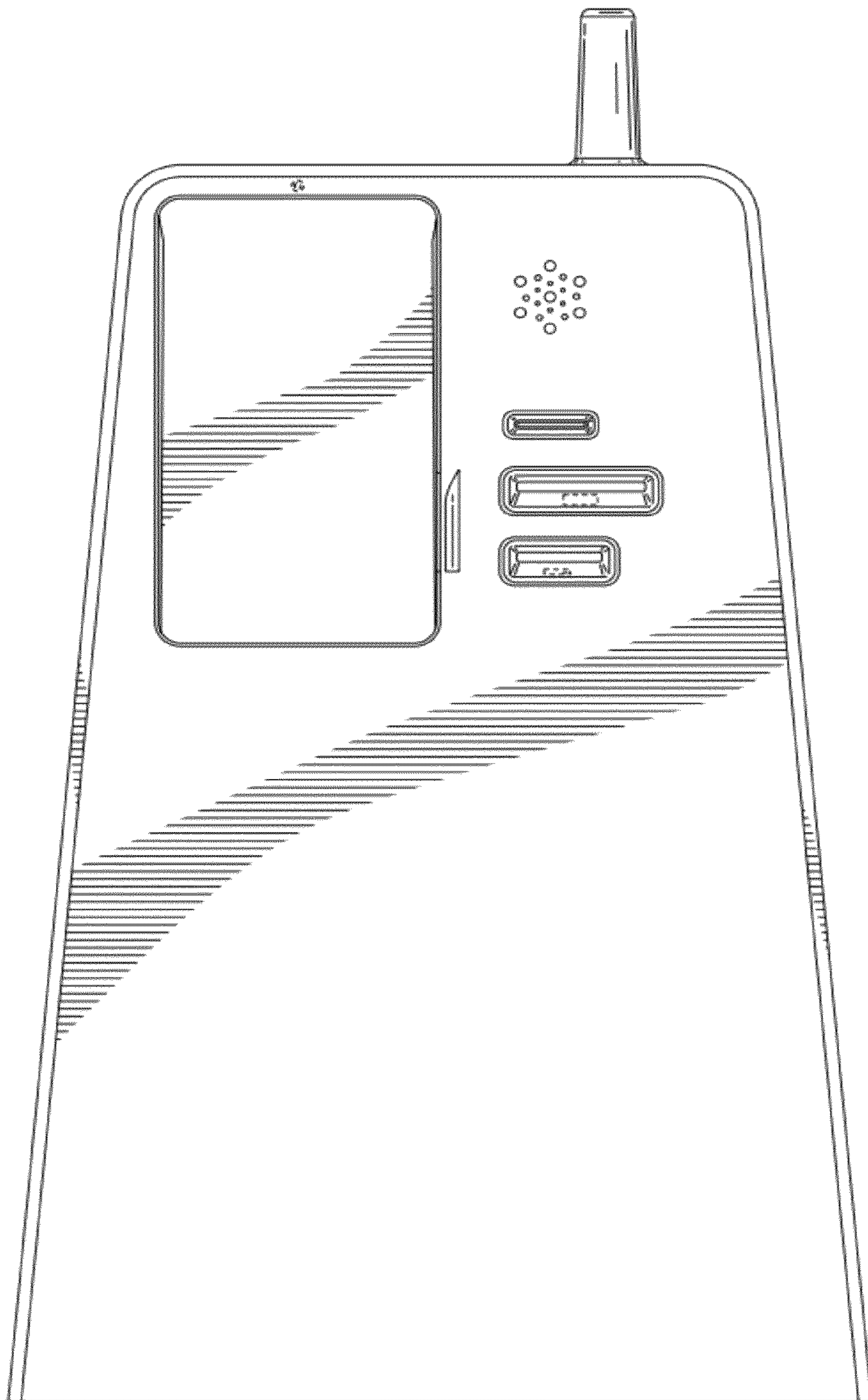


FIG. 2

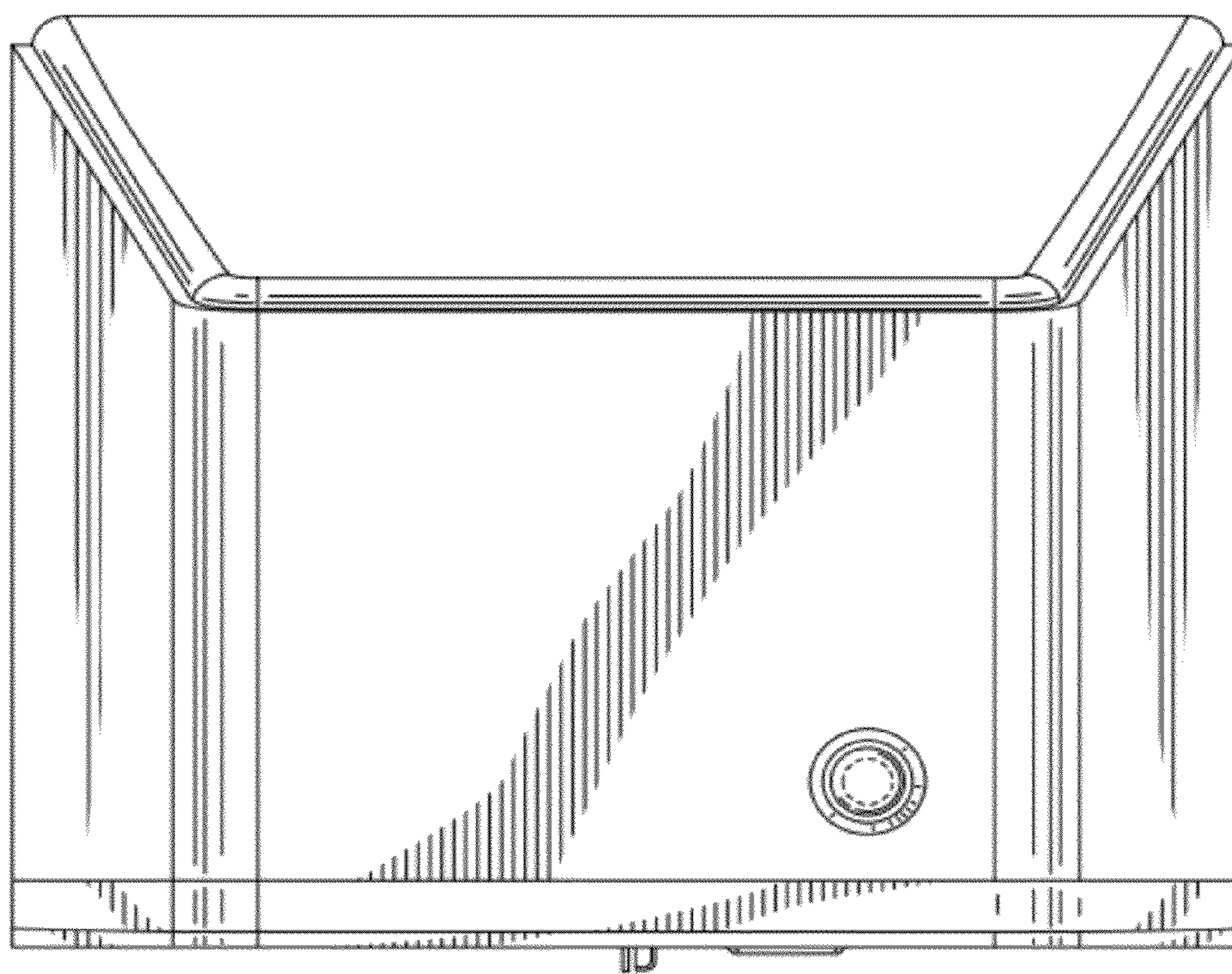


FIG. 3



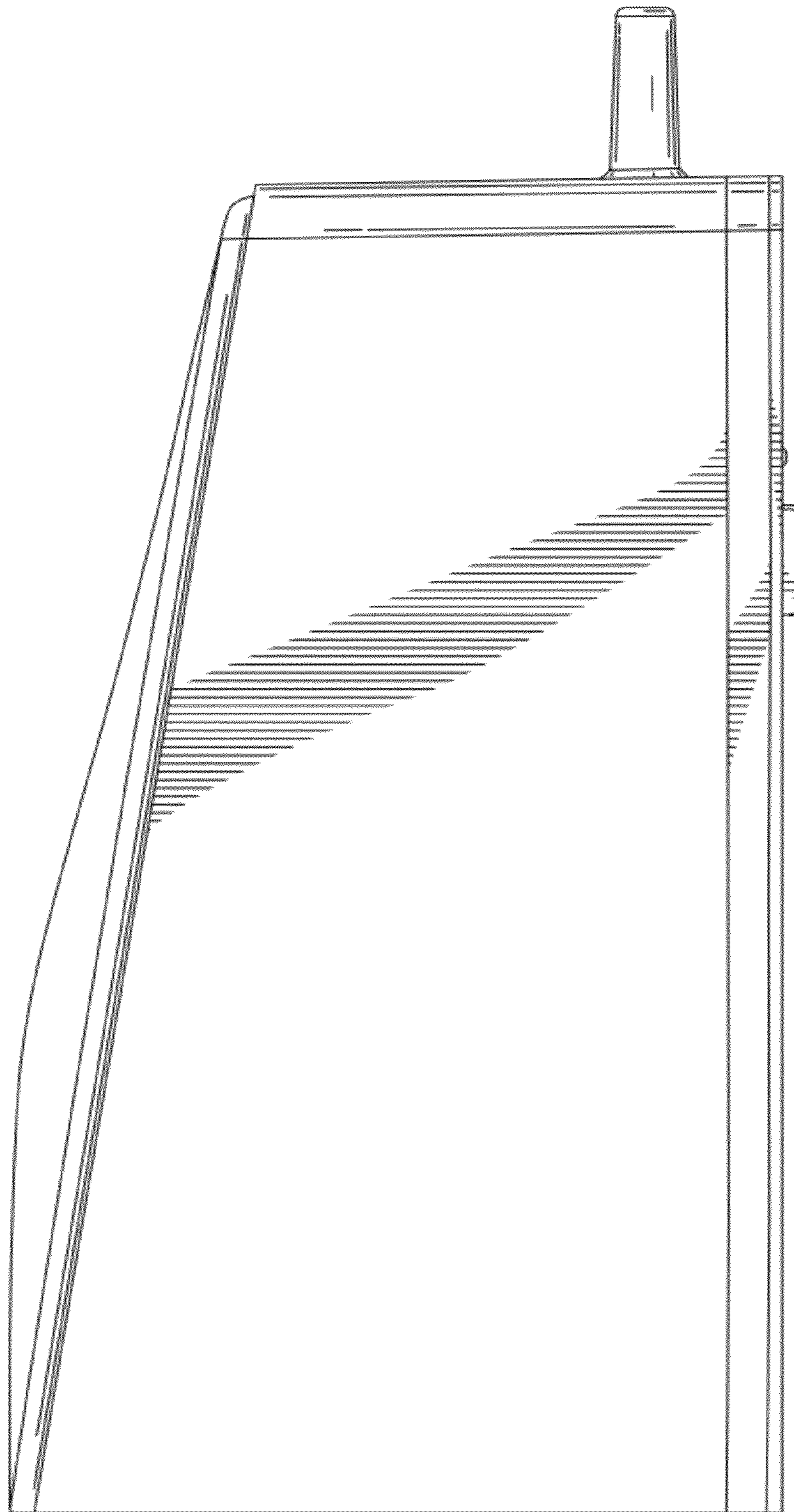


FIG. 4

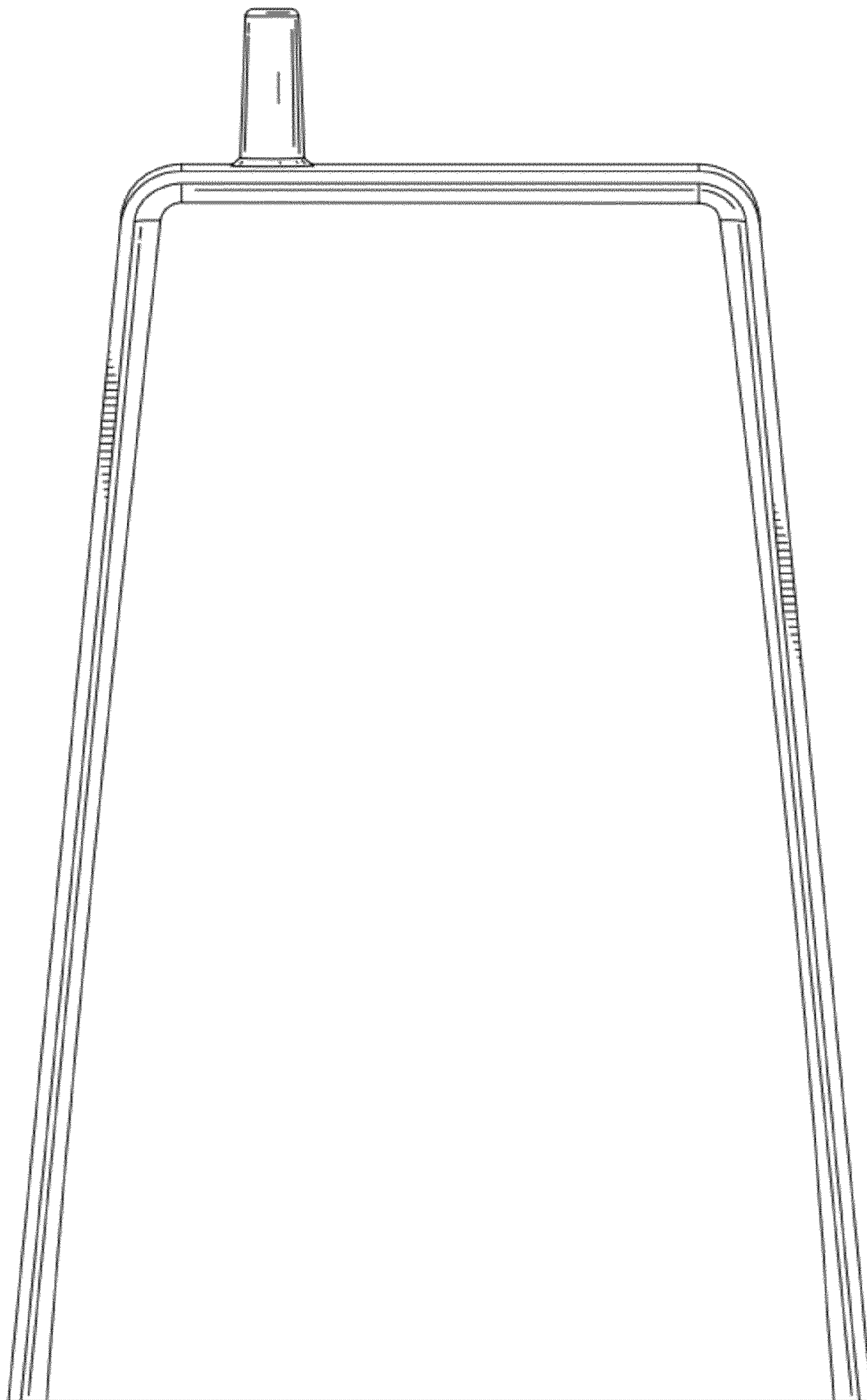


FIG. 5

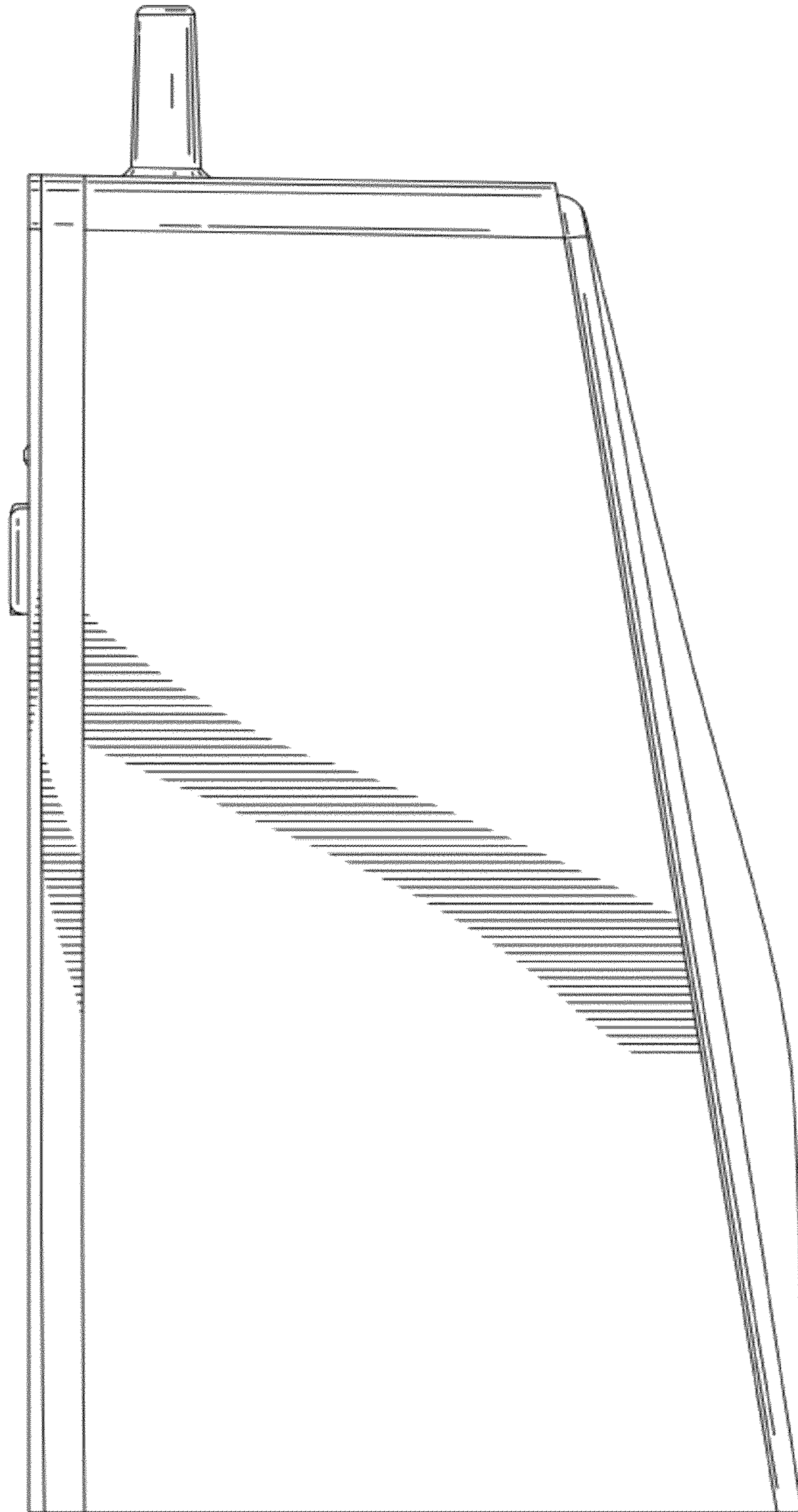


FIG. 6



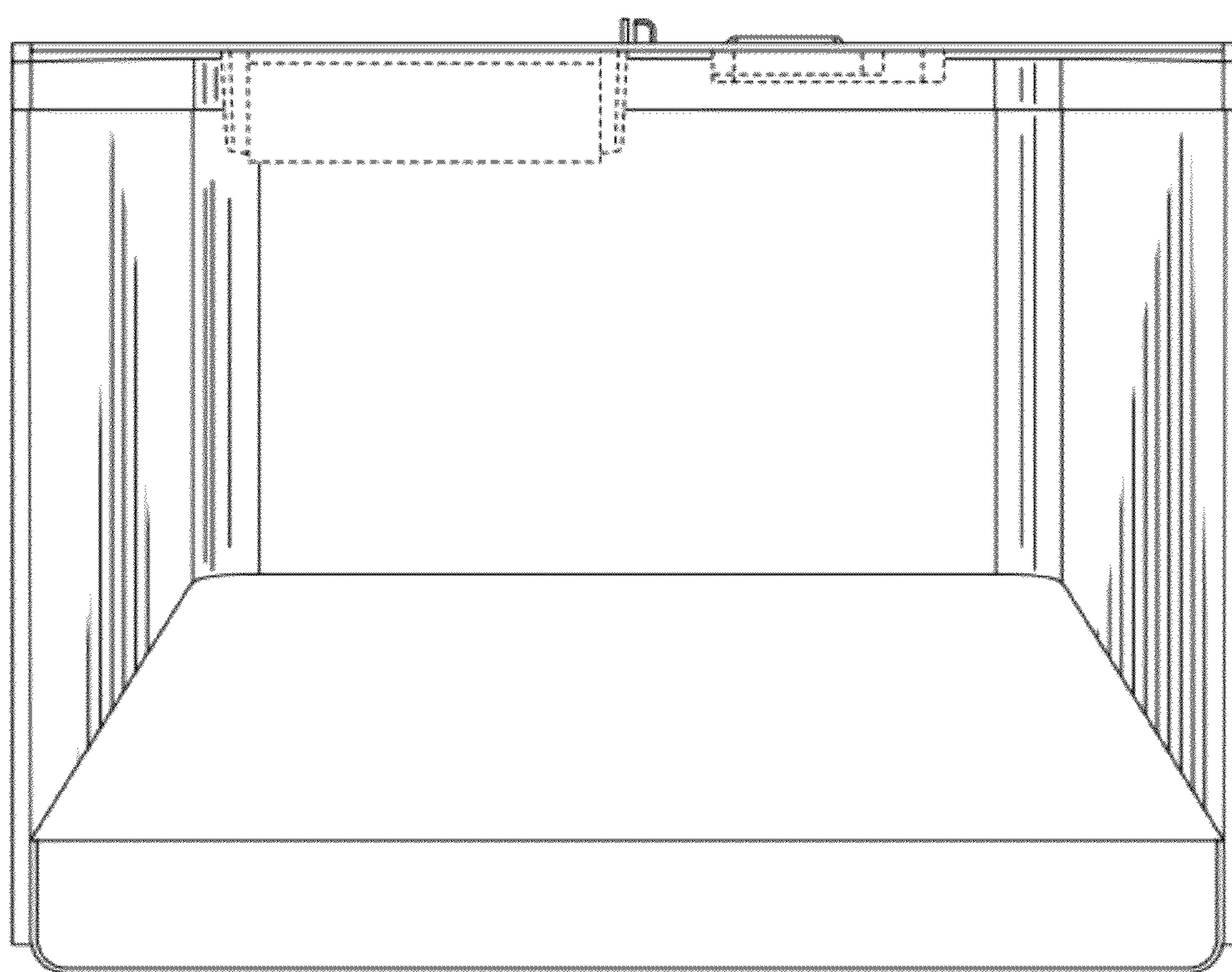


FIG. 7