



US00D678650S

(12) **United States Design Patent**
Giles et al.

(10) **Patent No.:** **US D678,650 S**
(45) **Date of Patent:** **** Mar. 19, 2013**

(54) **DRUM**

(76) Inventors: **Jordan Kimball Giles**, Tooele, UT
(US); **John Kimball Giles, Jr.**, Tooele,
UT (US); **James Patrick Reynolds**,
Rush Valley, UT (US)

(**) Term: **14 Years**

(21) Appl. No.: **29/416,288**

(22) Filed: **Mar. 20, 2012**

(51) **LOC (9) Cl.** **09-02**

(52) **U.S. Cl.** **D34/39**

(58) **Field of Classification Search** D34/1,
D34/39; 220/908, 908.1, 909, 911, 913,
220/565, 669; D11/143, 152, 153, 154; D23/200,
D23/205, 202, 203; D7/531, 523; D9/500,
D9/503, 538, 539

See application file for complete search history.

(56) **References Cited**

U.S. PATENT DOCUMENTS

D35,413 S * 12/1901 Lorenz D9/778
3,009,603 A * 11/1961 Stockdale 206/519
3,349,941 A * 10/1967 Wanderer 220/23.88
4,004,710 A * 1/1977 Crisci 220/780

4,165,020 A * 8/1979 Hoselton 220/792
D260,569 S * 9/1981 Zilbert D34/39
4,420,081 A * 12/1983 Dart 206/519
4,648,522 A * 3/1987 Wise 206/519
5,193,715 A * 3/1993 Schultz 220/675
5,201,437 A * 4/1993 Burgdorf 220/601
D359,150 S * 6/1995 Malik et al. D34/39
D375,604 S * 11/1996 Mitchell D34/39
5,573,118 A * 11/1996 Cramer et al. 206/505
D395,118 S * 6/1998 Cramer et al. D34/39
D426,044 S * 5/2000 Cramer et al. D34/39
D560,874 S * 1/2008 Brans et al. D34/39
D604,475 S * 11/2009 Bender et al. D34/39
D628,762 S * 12/2010 Fischer et al. D34/39

* cited by examiner

Primary Examiner — Cynthia Ramirez

(74) *Attorney, Agent, or Firm* — Todd E. Zenger; Kirton
McConkie

(57) **CLAIM**

The ornamental design for a drum, as shown.

DESCRIPTION

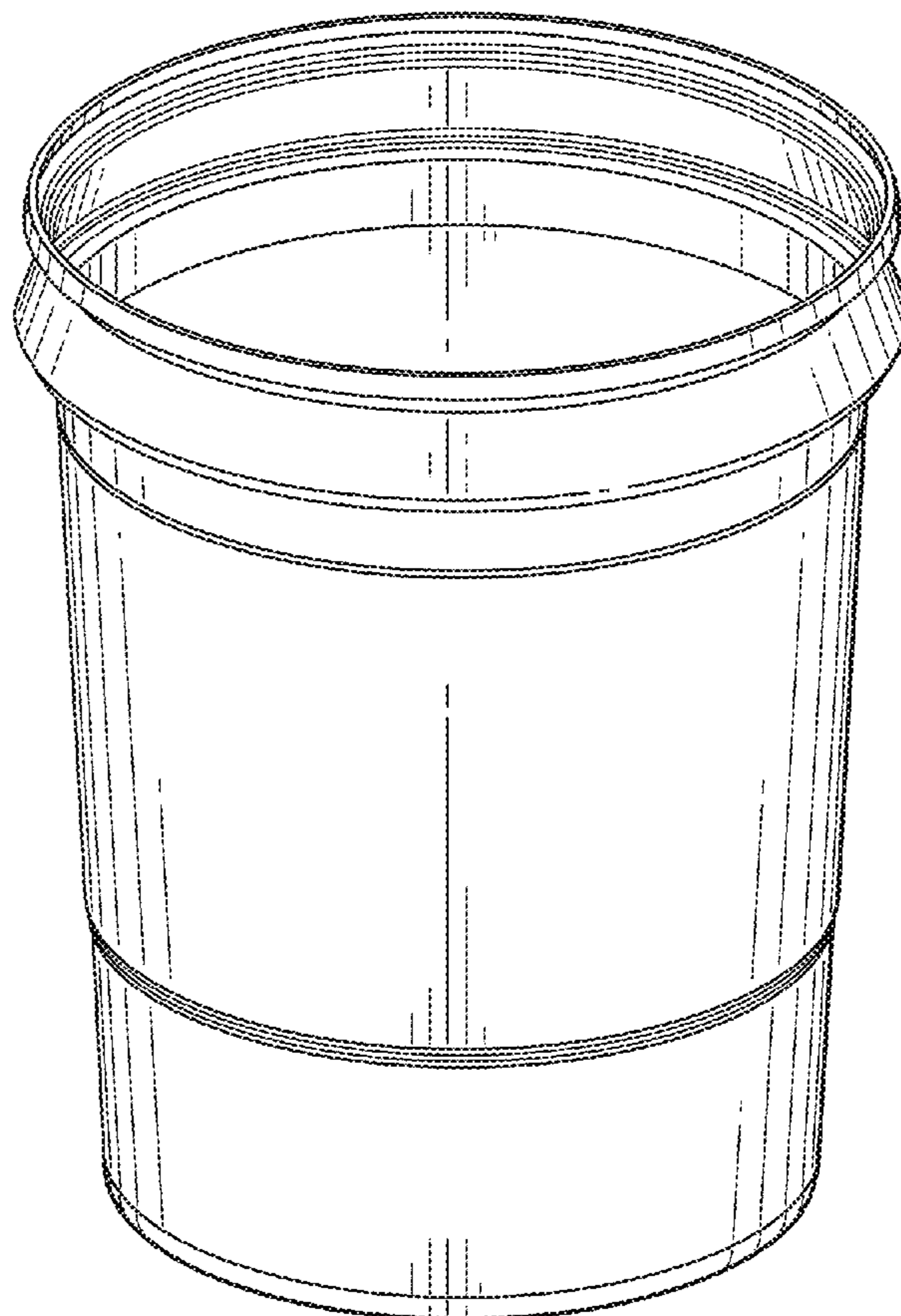
FIG. 1 shows a perspective view of the drum.

FIG. 2 shows a side view of the drum.

FIG. 3 shows a top view of the drum; and,

FIG. 4 shows a bottom view of the drum.

1 Claim, 2 Drawing Sheets



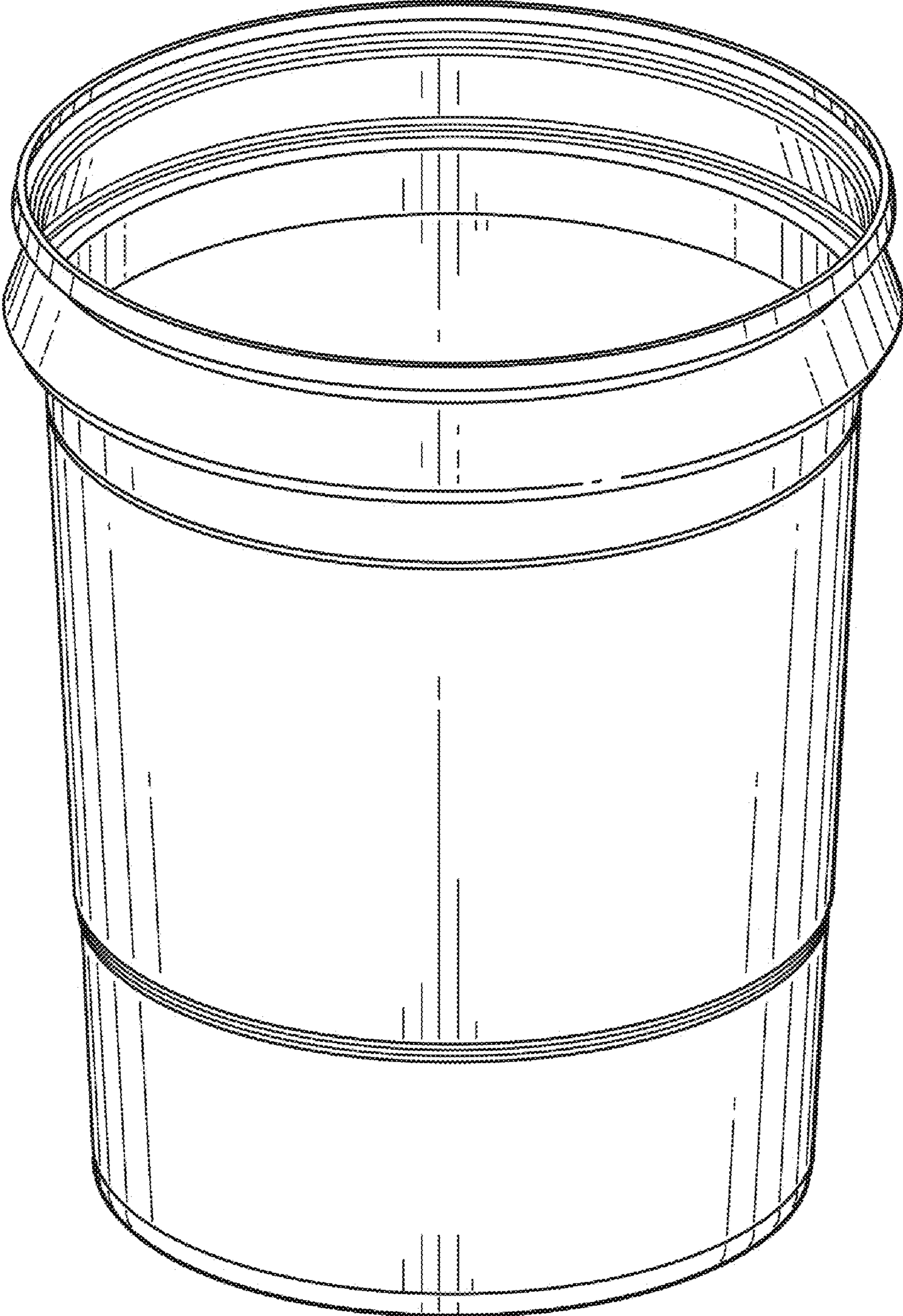


FIG. 1

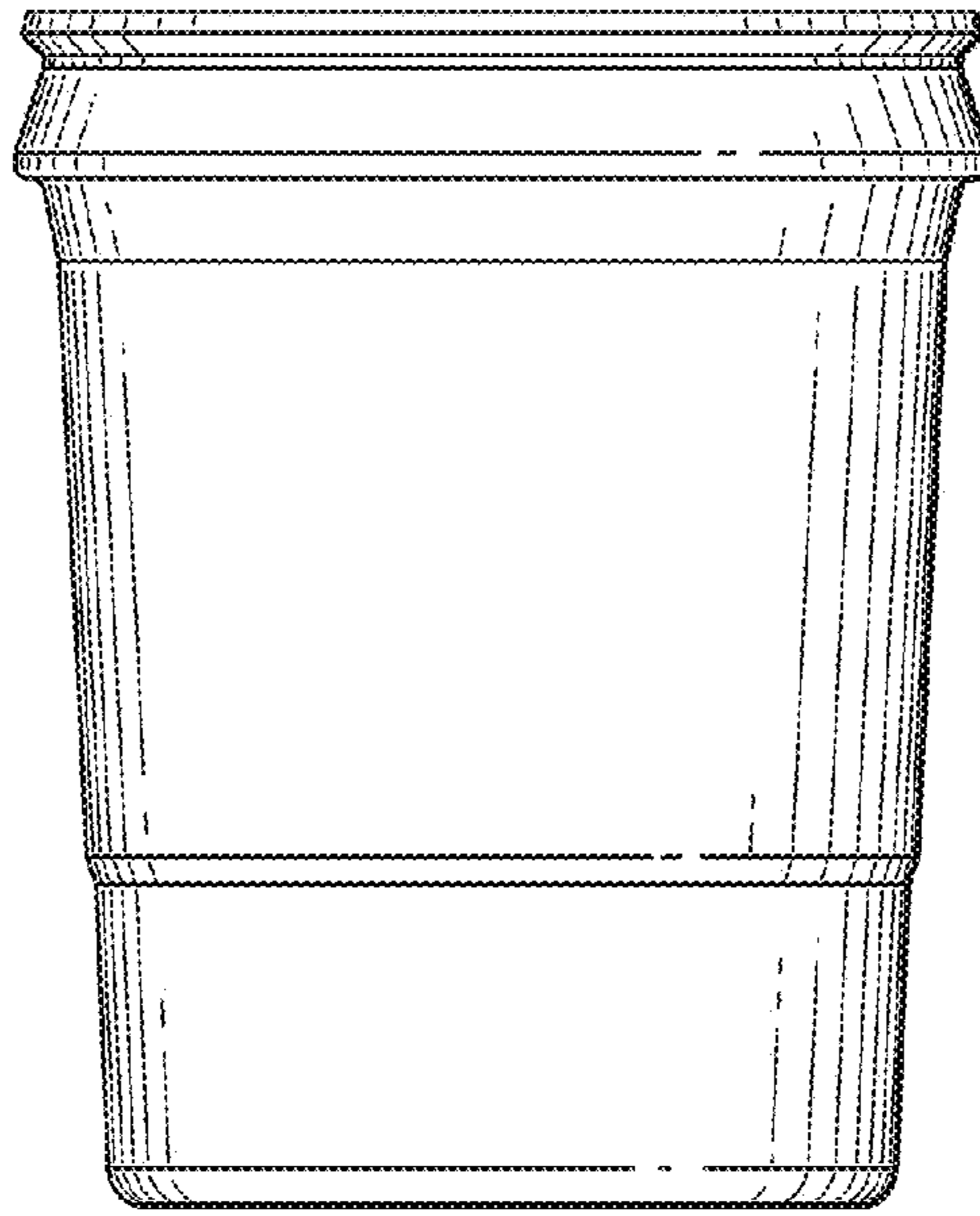


FIG. 2

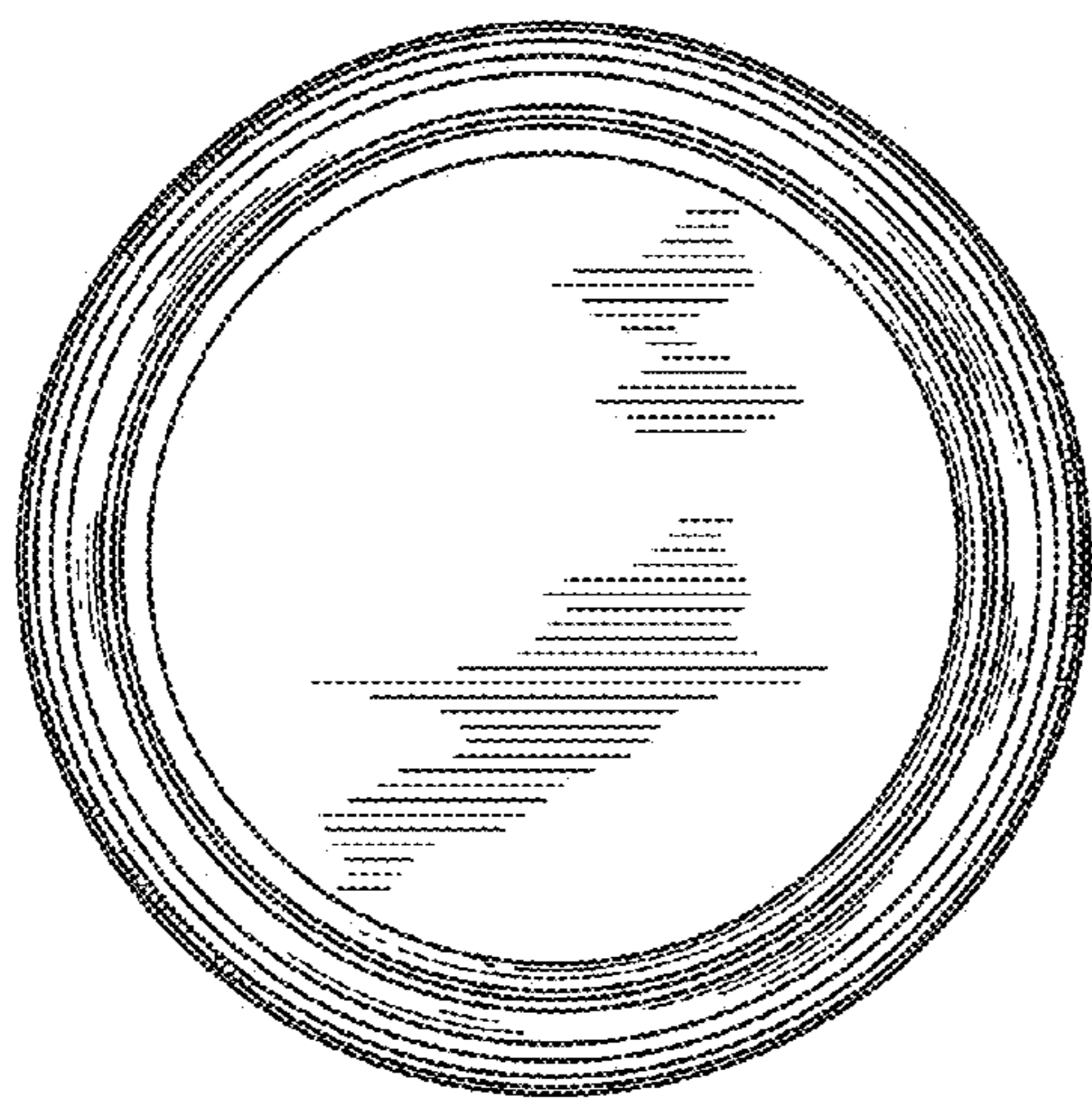


FIG. 3

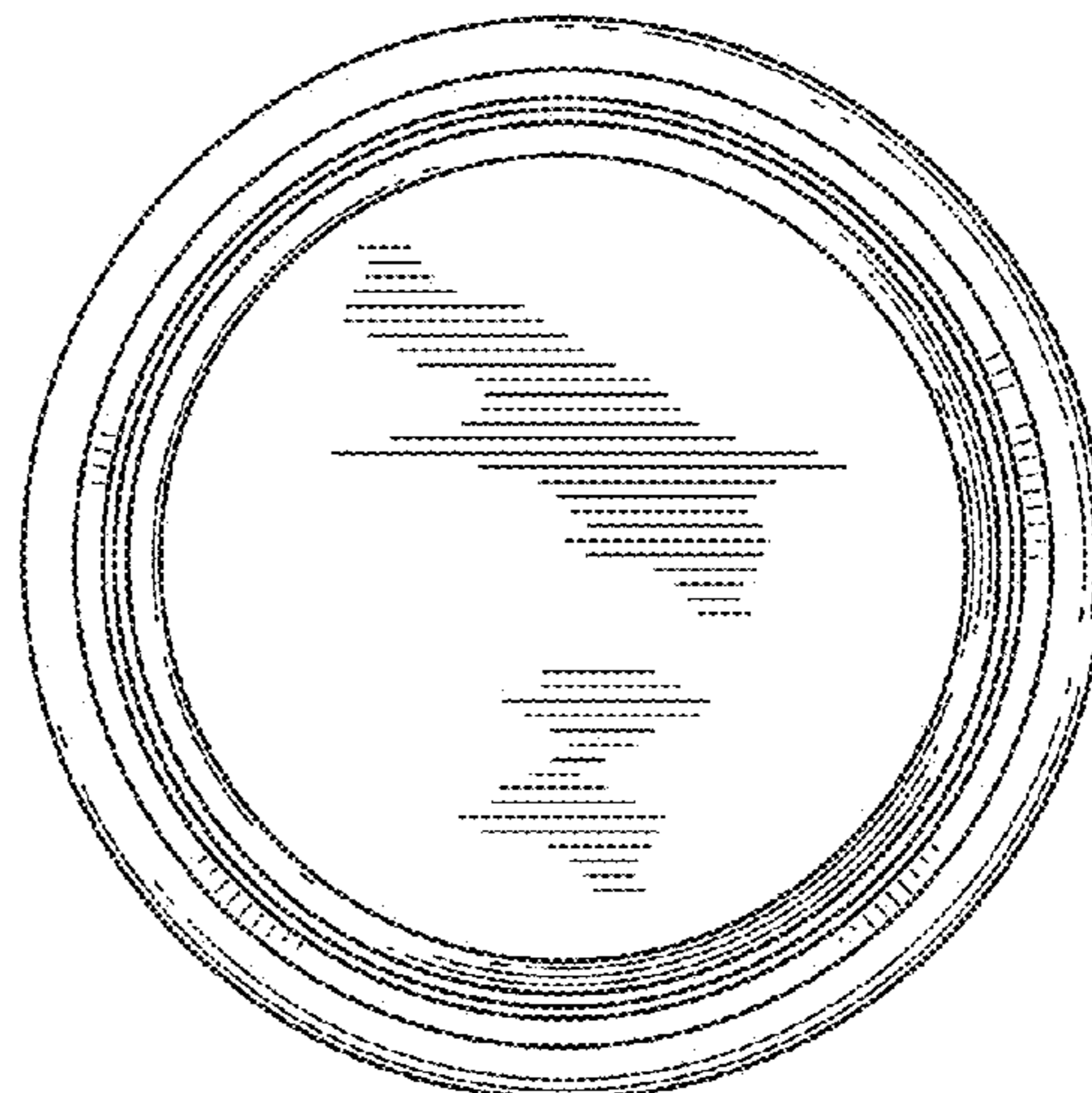


FIG. 4