



US00D678648S

(12) **United States Design Patent**
Gill et al.

(10) **Patent No.:** **US D678,648 S**
(45) **Date of Patent:** **** Mar. 19, 2013**

(54) **MATERIAL HANDLING PENDANT**

D544,777 S * 6/2007 Yeh D8/303
D581,658 S * 12/2008 Leslie D3/229
D663,913 S * 7/2012 Alder et al. D34/35

(75) Inventors: **Carollna L. Gill**, Dublin, OH (US);
Wonmo Koo, Columbus, OH (US)

* cited by examiner

(73) Assignee: **Columbus McKinnon Corporation**,
Amherst, NY (US)

Primary Examiner — Cynthia Ramirez

(74) *Attorney, Agent, or Firm* — Phillips Lytle LLP

(**) Term: **14 Years**

(57) **CLAIM**

(21) Appl. No.: **29/420,724**

Applicant claims the ornamental design for a material handling pendant, as shown and described.

(22) Filed: **May 11, 2012**

DESCRIPTION

(51) **LOC (9) Cl.** **12-05**

(52) **U.S. Cl.** **D34/35**

(58) **Field of Classification Search** D34/34,
D34/35; D12/174, 179; D8/303; 280/43.12;
244/234; 74/321, 322

FIG. 1 is a perspective view of the material handling pendant.
FIG. 2 is a left side view of the material handling pendant shown in FIG. 1.

See application file for complete search history.

FIG. 3 is a right side view of the material handling pendant shown in FIG. 1.

(56) **References Cited**

FIG. 4 is a front view of the material handling pendant shown in FIG. 1.

U.S. PATENT DOCUMENTS

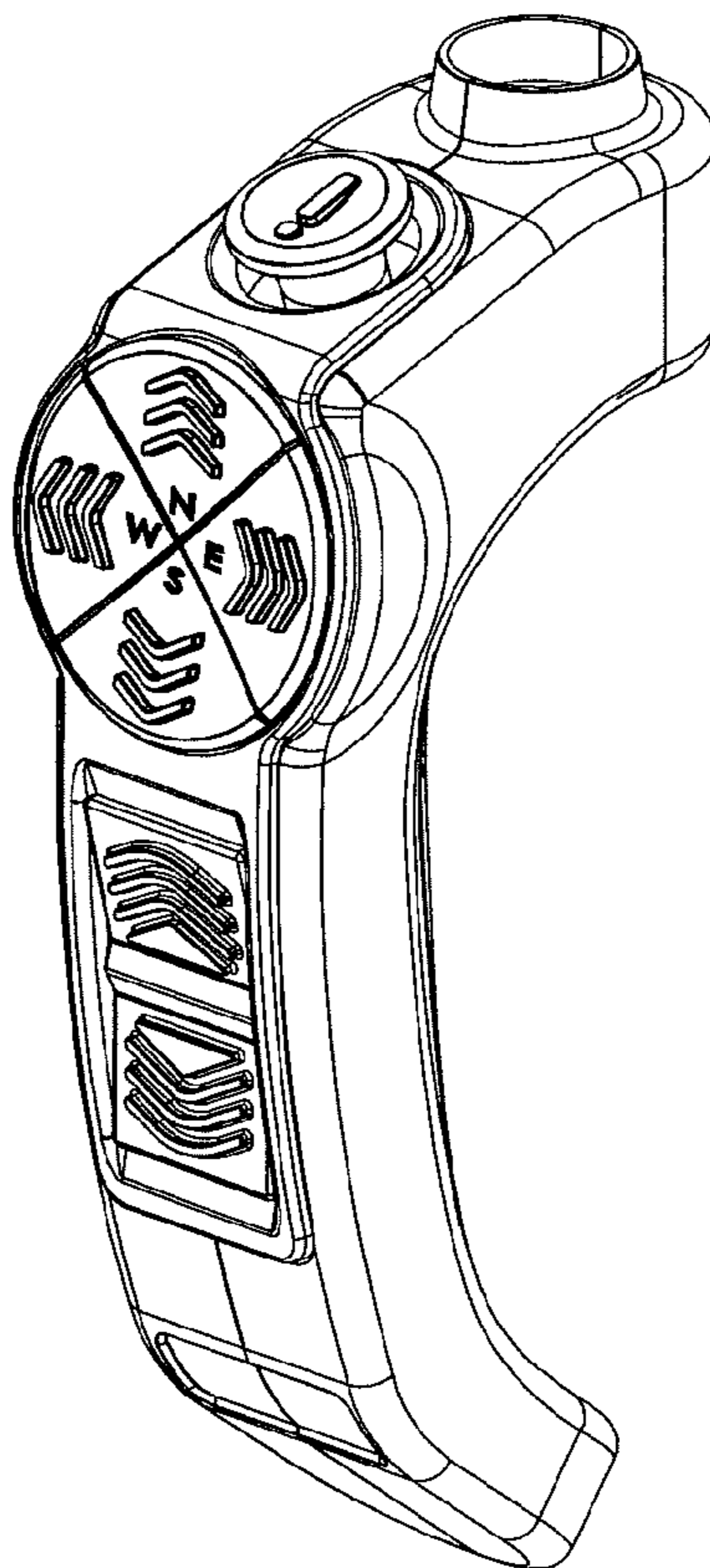
FIG. 5 is a rear view of the material handling pendant shown in FIG. 1.

D231,741 S * 6/1974 Tompkins D12/174
D309,051 S * 7/1990 Laatsch D34/35
D362,330 S * 9/1995 Avitan et al. D34/35
D405,581 S * 2/1999 Henshaw et al. D34/35
D499,121 S * 11/2004 Masalin D15/28
D515,770 S * 2/2006 Ryan et al. D34/35
D536,153 S * 1/2007 Niebuhr et al. D34/35

FIG. 6 is a bottom view of the material handling pendant shown in FIG. 1; and,

FIG. 7 is a top view of the material handling pendant shown in FIG. 1.

1 Claim, 2 Drawing Sheets



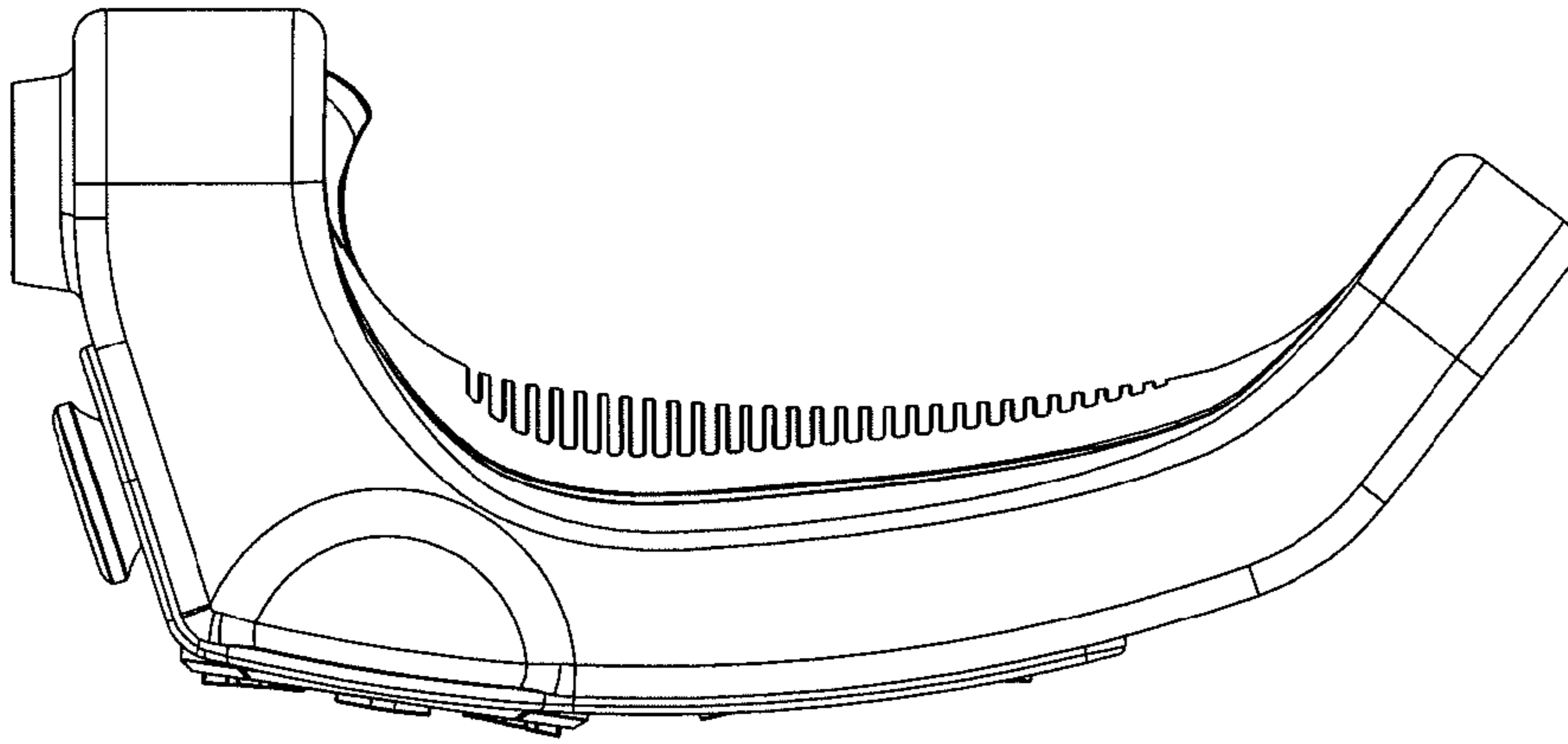


FIG. 3

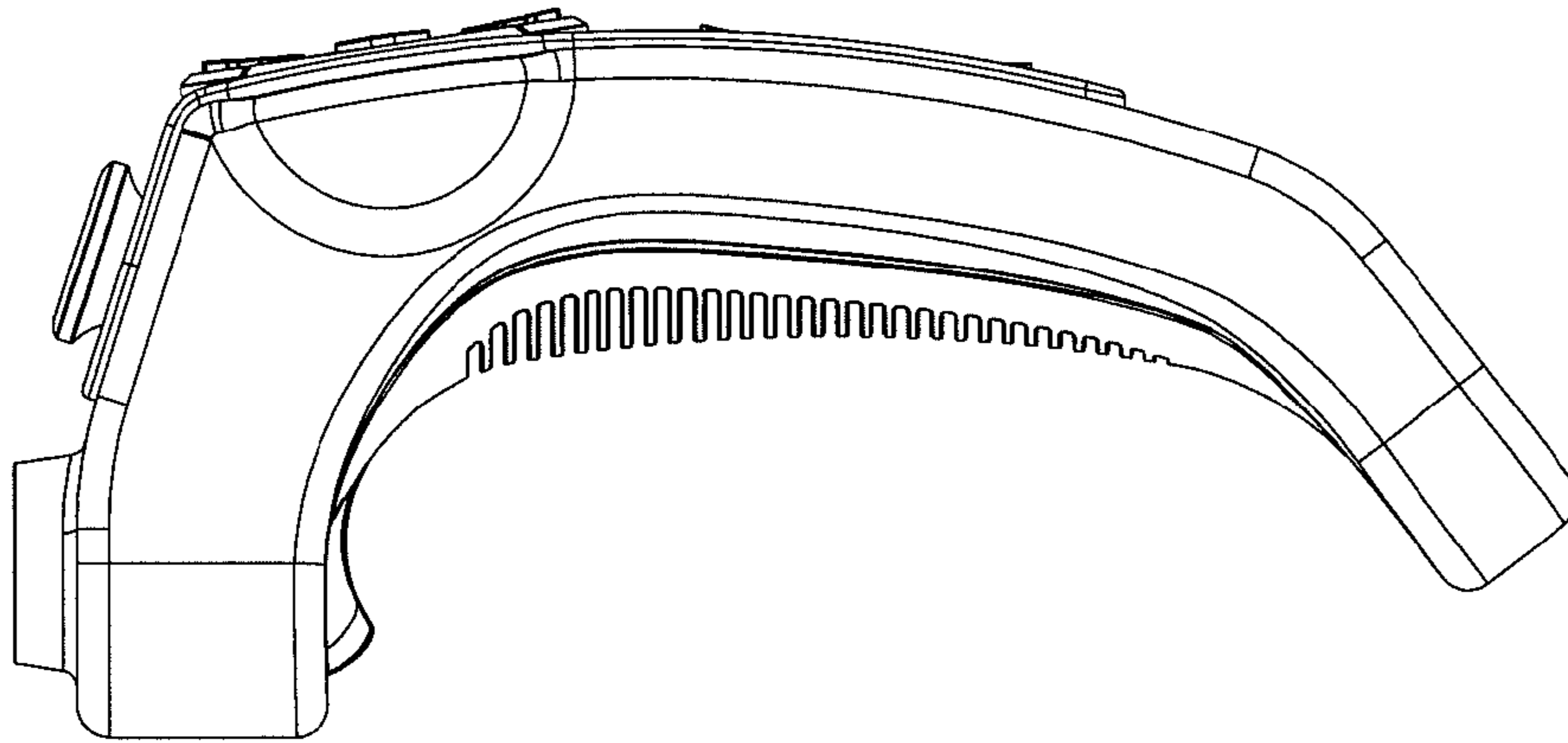


FIG. 2

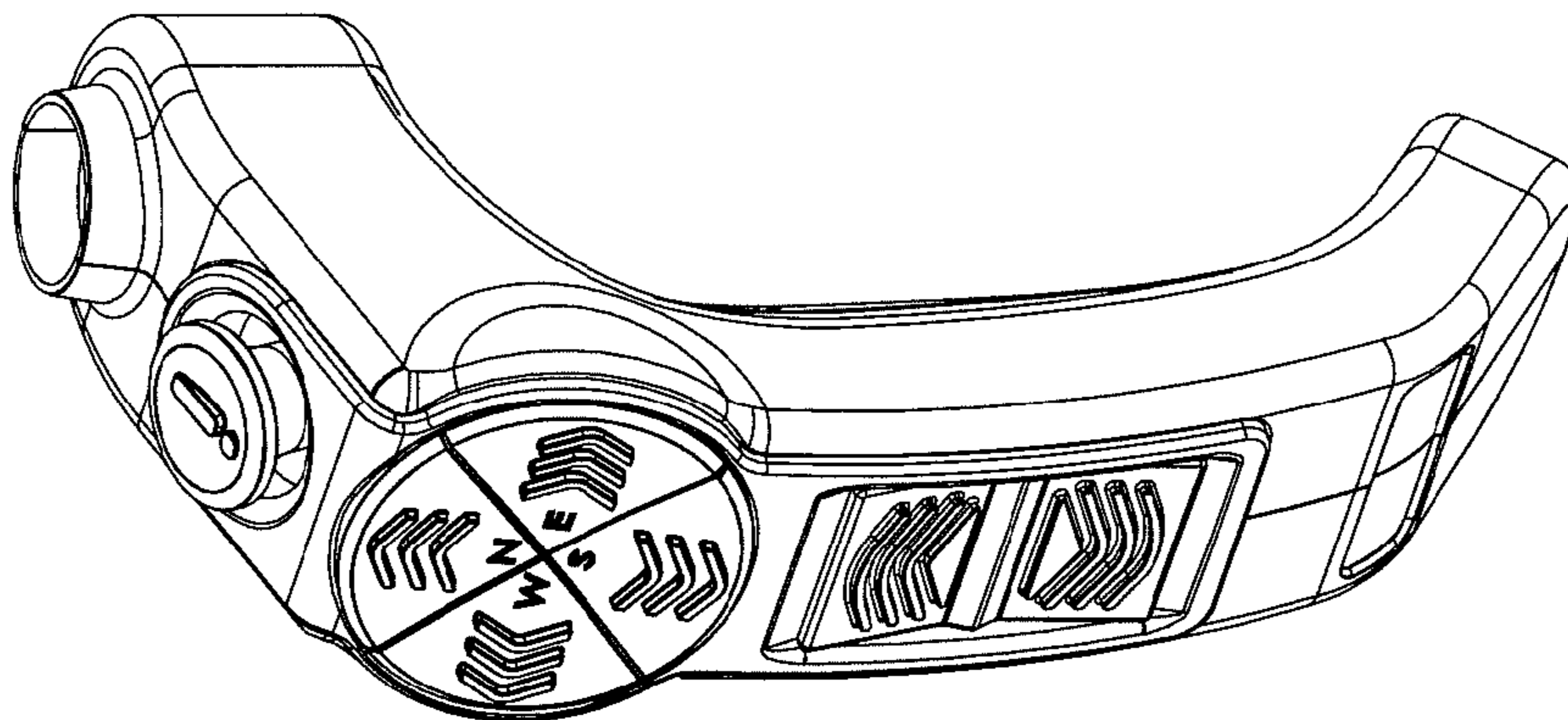


FIG. 1

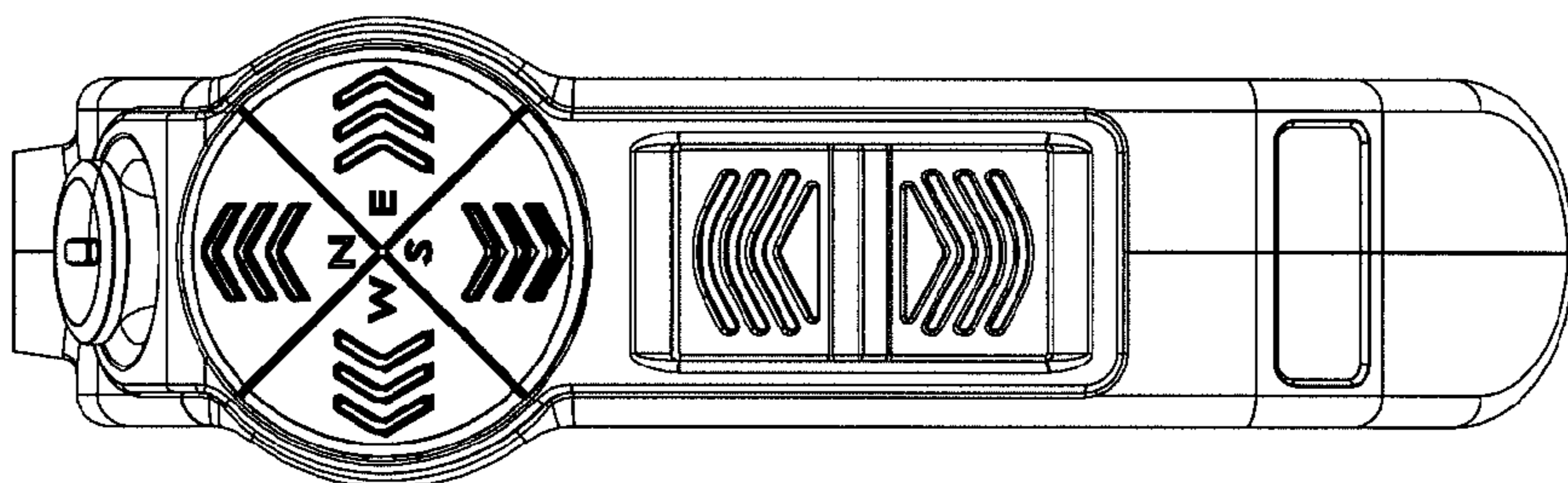


FIG. 4

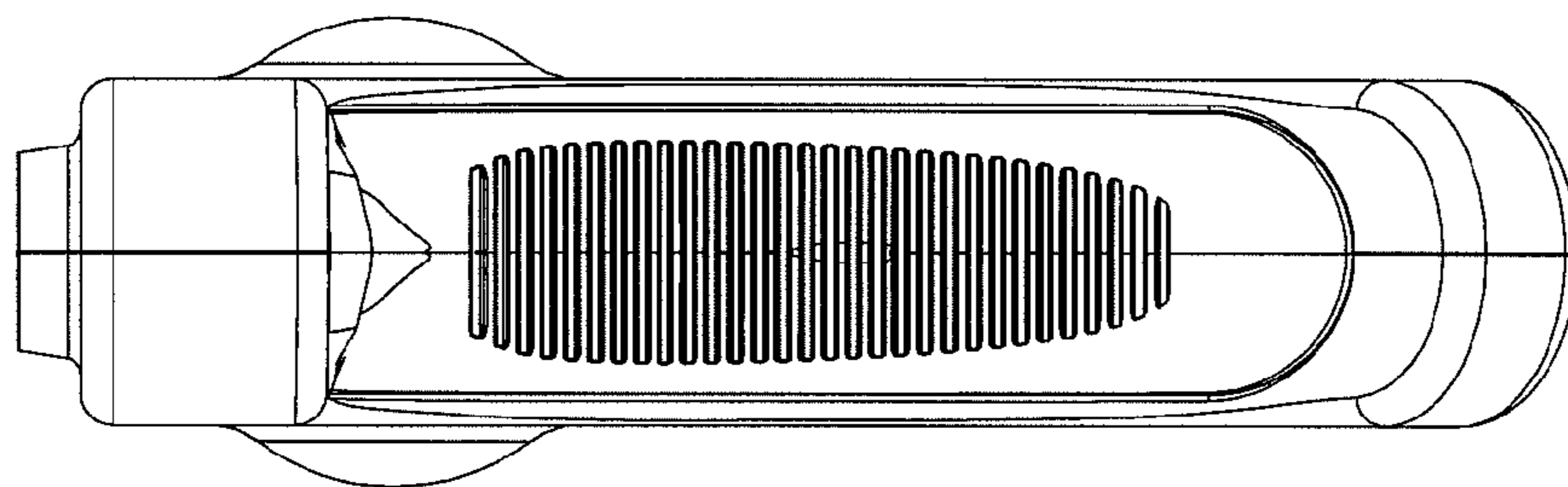


FIG. 5

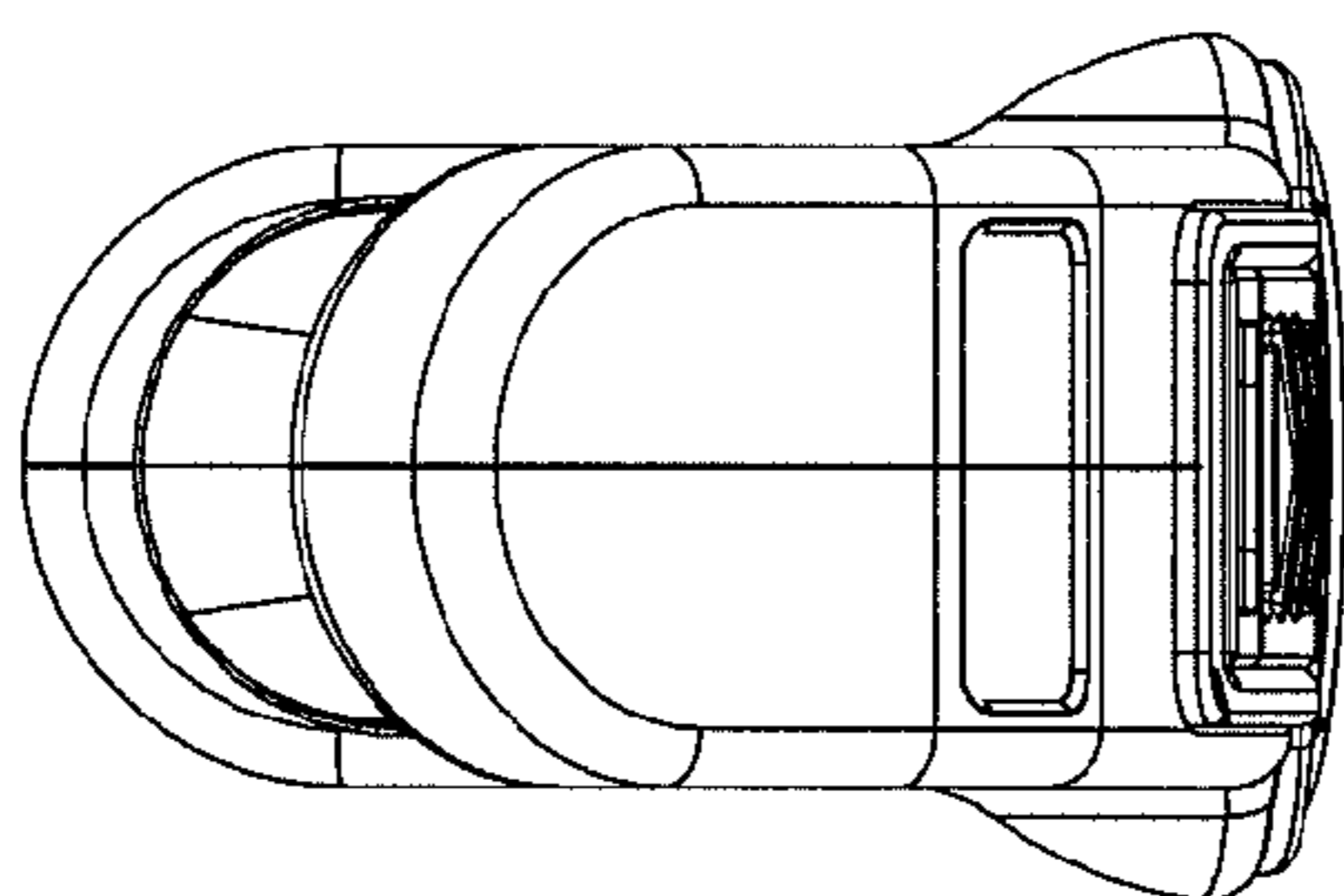


FIG. 6

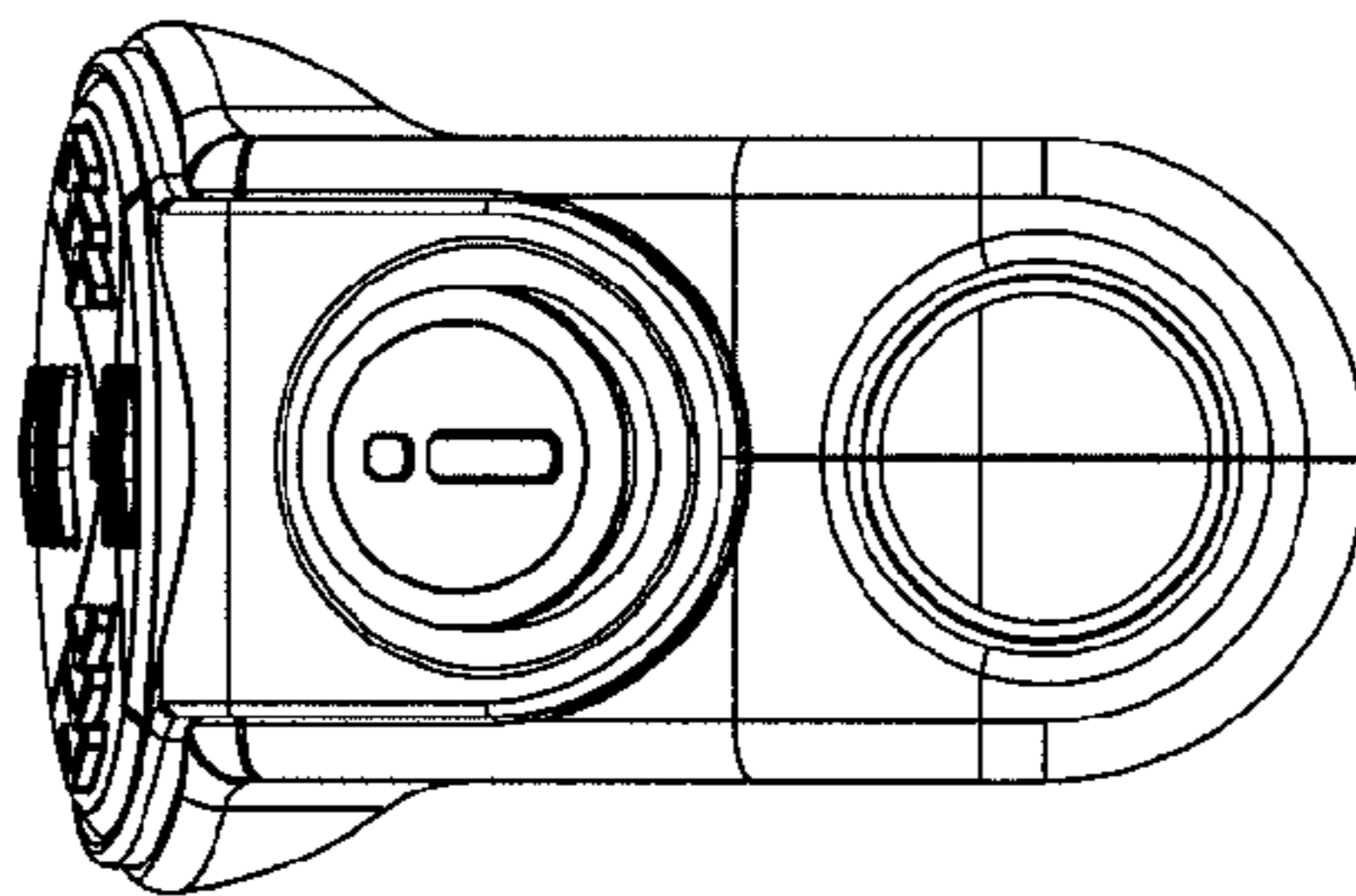


FIG. 7