



US00D678647S

(12) **United States Design Patent**
Parras

(10) **Patent No.:** **US D678,647 S**

(45) **Date of Patent:** **** Mar. 19, 2013**

(54) **TRAILER RAMP DEVICE**

(76) Inventor: **Sabino Parras**, Monahans, TX (US)

(**) Term: **14 Years**

(21) Appl. No.: **29/412,106**

(22) Filed: **Jan. 31, 2012**

(51) **LOC (9) Cl.** **12-05**

(52) **U.S. Cl.** **D34/32**

(58) **Field of Classification Search** D34/32;
254/88; 14/69.5, 71.1; 414/537, 540, 541,
414/678, 921

See application file for complete search history.

(56) **References Cited**

U.S. PATENT DOCUMENTS

1,189,632	A *	7/1916	Seitz	254/88
2,012,635	A *	8/1935	Paden	254/88
5,033,146	A *	7/1991	Fogarty et al.	14/69.5
D346,256	S *	4/1994	Thomas et al.	D34/32
D347,502	S *	5/1994	Mazza	D34/32
D347,503	S	5/1994	Wallace		
RE34,889	E *	4/1995	Fogarty et al.	14/69.5
D365,908	S *	1/1996	Pesznecker	D34/32

5,483,715	A *	1/1996	Fogarty et al.	14/69.5
D384,483	S	9/1997	Buckman		
6,135,420	A *	10/2000	Johnston et al.	254/88
D523,609	S	6/2006	Toal		
7,114,210	B2 *	10/2006	Heinz	14/69.5
D550,922	S	9/2007	Bain		
D567,471	S *	4/2008	Haimoff	D34/33
2007/0034843	A1 *	2/2007	Reamsnyder et al.	254/88

* cited by examiner

Primary Examiner — Cynthia Ramirez

(74) *Attorney, Agent, or Firm* — Daniel Boudwin

(57) **CLAIM**

The ornamental design for a trailer ramp device, as shown and described.

DESCRIPTION

FIG. 1 is an overhead perspective view of the trailer ramp device.

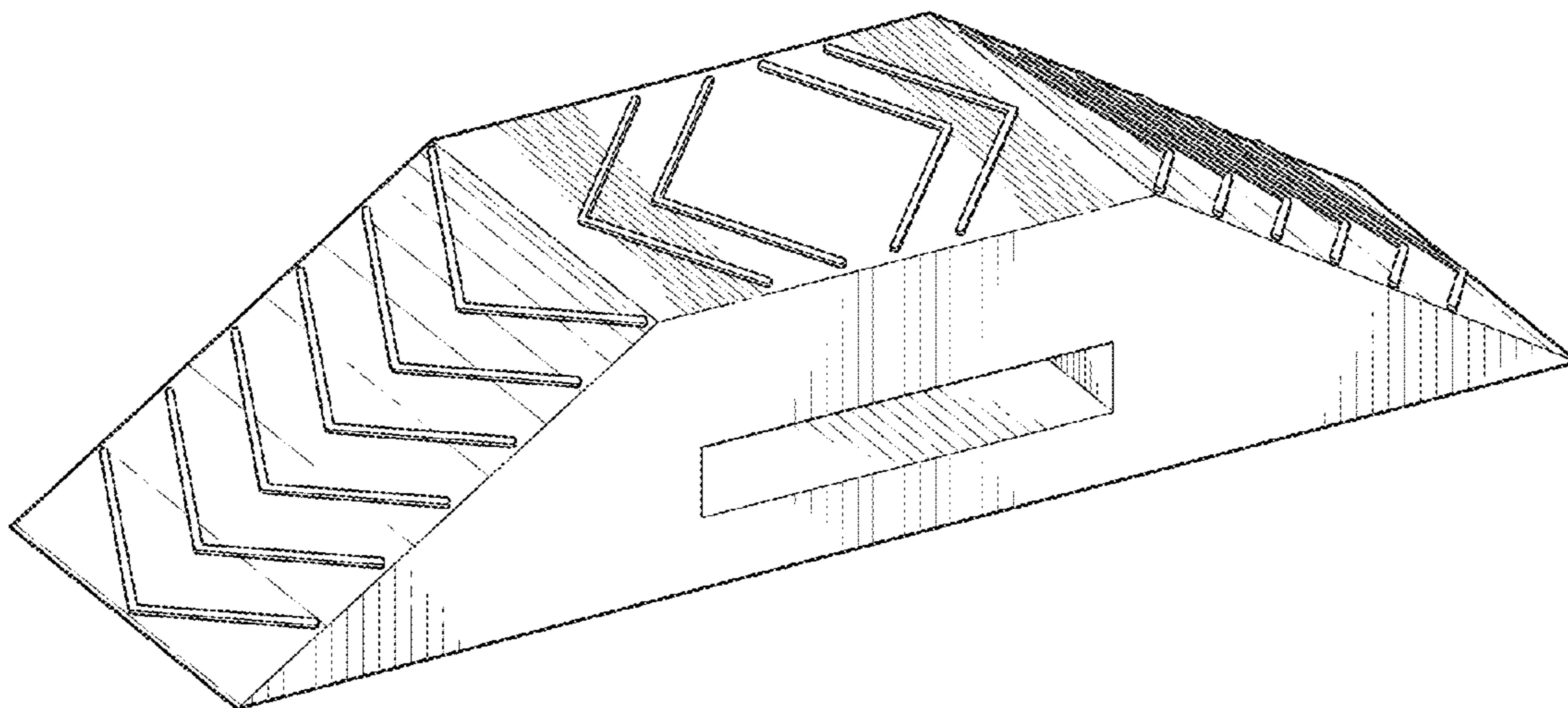
FIG. 2 is an underside perspective view of the trailer ramp device.

FIG. 3 is an overhead view of the trailer ramp device.

FIG. 4 is a side view of the trailer ramp device; and,

FIG. 5 is a frontal view of the trailer ramp device.

1 Claim, 2 Drawing Sheets



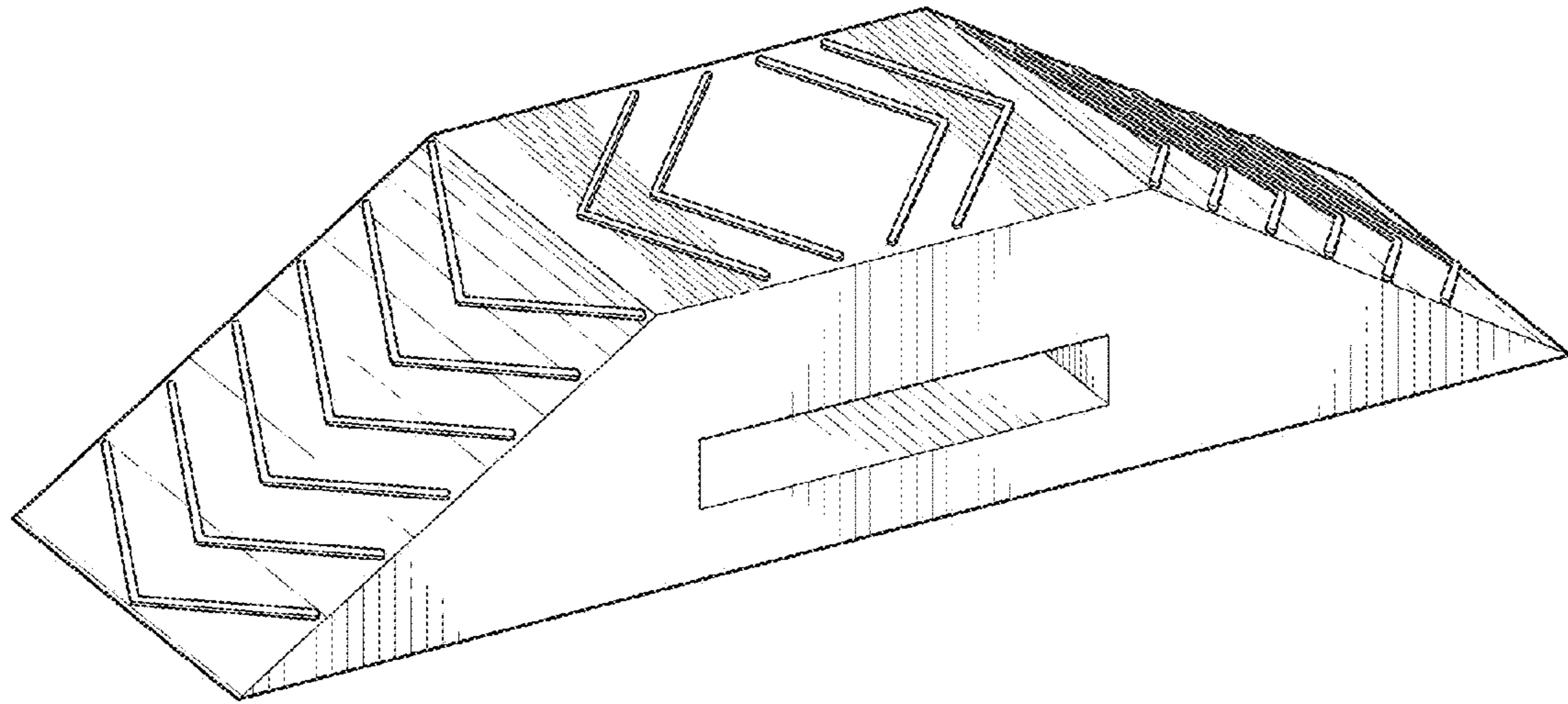


FIG. 1

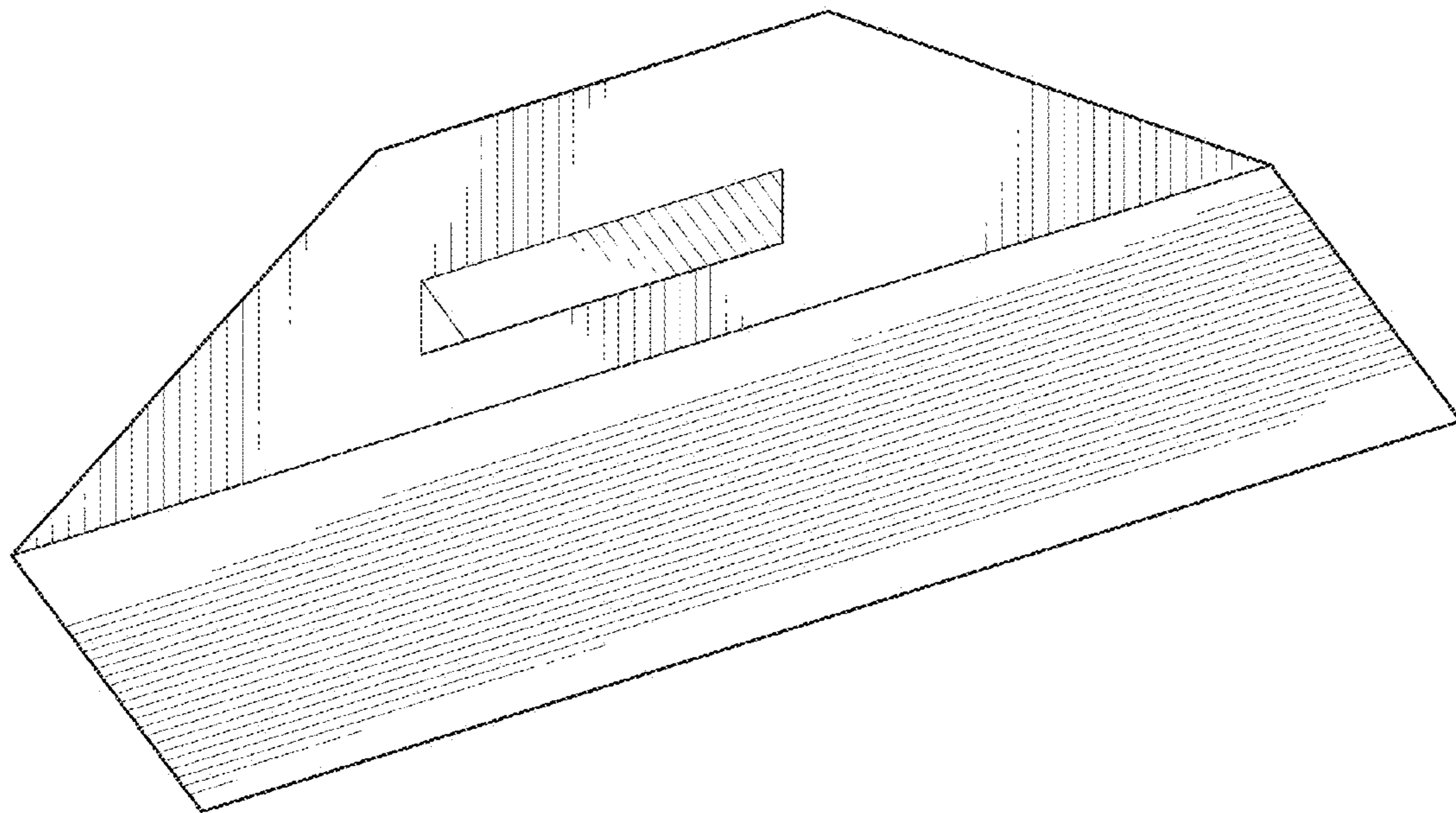


FIG. 2

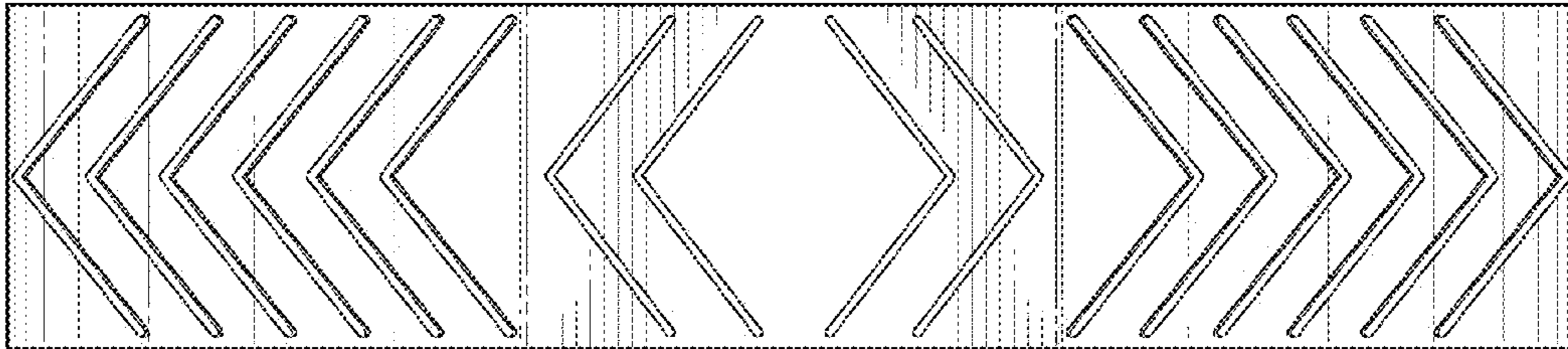


FIG. 3

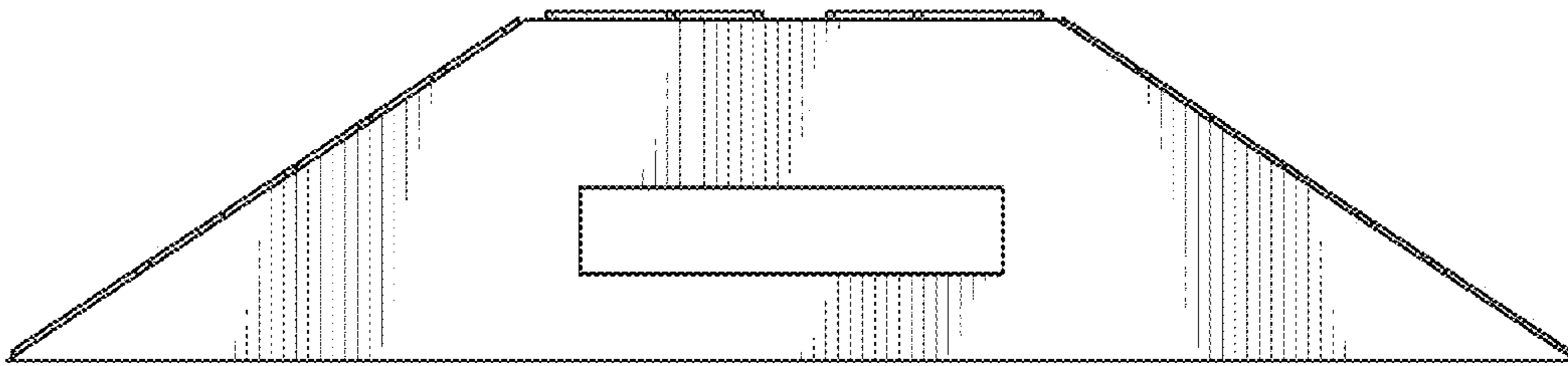


FIG. 4

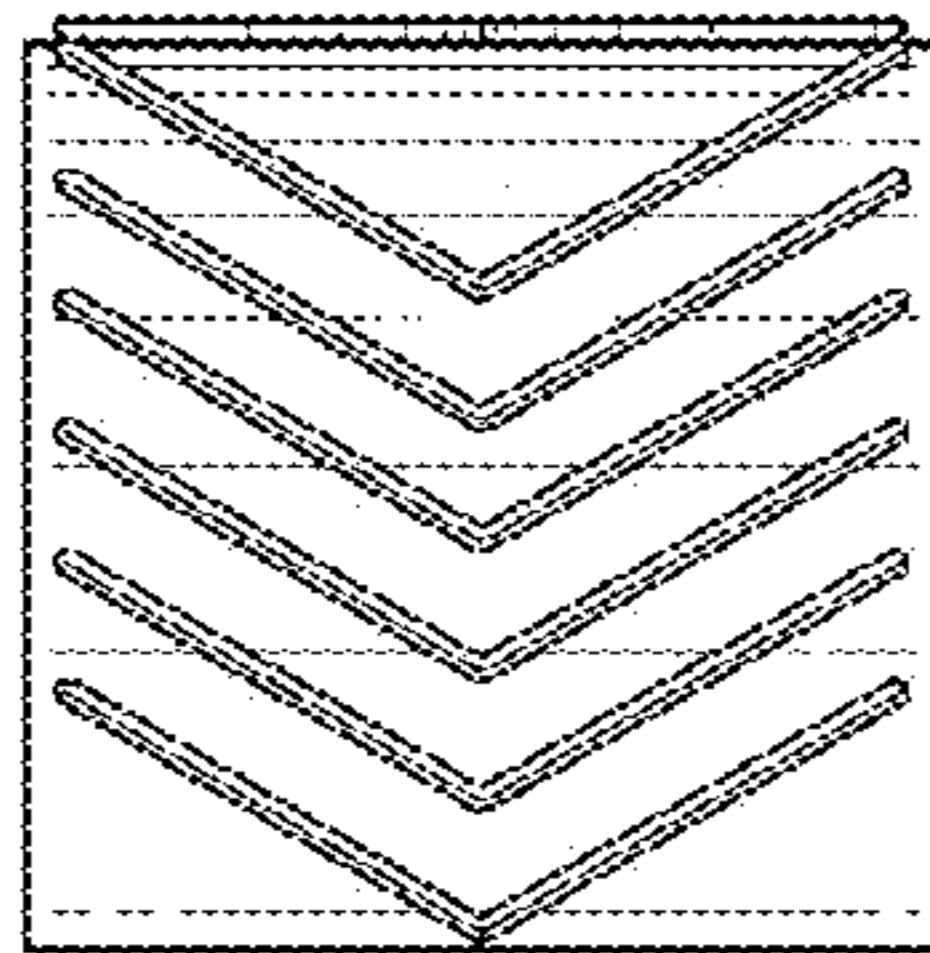


FIG. 5