



US00D678645S

(12) **United States Design Patent**
Rouillard et al.

(10) **Patent No.:** **US D678,645 S**
(45) **Date of Patent:** **** Mar. 19, 2013**

(54) **CLEANING SYSTEM TROLLEY**
(75) Inventors: **Carol A. Rouillard**, Loveland, OH (US);
Andrew M. Bober, Racine, WI (US);
Alfred Adolf Widmer, Wil (CH);
Andrew R. J. Russell, Bourn (GB);
Dave Clark, Welwyn Garden City (GB);
Roderick J. McBrien, Leamington Spa (GB)

(73) Assignee: **Diversey, Inc.**, Sturtevant, WI (US)

(**) Term: **14 Years**

(21) Appl. No.: **29/420,179**

(22) Filed: **May 4, 2012**

Related U.S. Application Data

(60) Continuation of application No. 29/399,969, filed on Aug. 22, 2011, now Pat. No. Des. 659,340, which is a continuation of application No. 29/382,729, filed on Jan. 6, 2011, now Pat. No. Des. 643,990, which is a division of application No. 29/350,837, filed on Nov. 24, 2009, now Pat. No. Des. 632,043.

(51) **LOC (9) Cl.** **12-02**

(52) **U.S. Cl.** **D34/27**

(58) **Field of Classification Search** None
See application file for complete search history.

(56) **References Cited**

U.S. PATENT DOCUMENTS

D260,181 S * 8/1981 Dallaire D25/119
D283,395 S * 4/1986 Cox et al. D25/119

D316,444 S * 4/1991 Abbestam et al. D25/122
D444,783 S * 7/2001 Lord D14/351
D537,537 S * 2/2007 Antonic D25/122
D616,568 S * 5/2010 Desrosiers et al. D25/60
D632,043 S * 2/2011 Rouillard et al. D34/21
D643,990 S * 8/2011 Rouillard et al. D34/27
D659,340 S * 5/2012 Rouillard et al. D34/27

* cited by examiner

Primary Examiner — Cynthia Ramirez

(74) *Attorney, Agent, or Firm* — Michael Best & Friedrich LLP

(57) **CLAIM**

The ornamental design for a cleaning system trolley, as shown and described.

DESCRIPTION

FIG. 1 is a perspective view of a cleaning system trolley constructed in accordance with an embodiment of the present invention;

FIG. 2 is a left side view of the cleaning system trolley shown in FIG. 1;

FIG. 3 is a right side view of the cleaning system trolley shown in FIGS. 1 and 2;

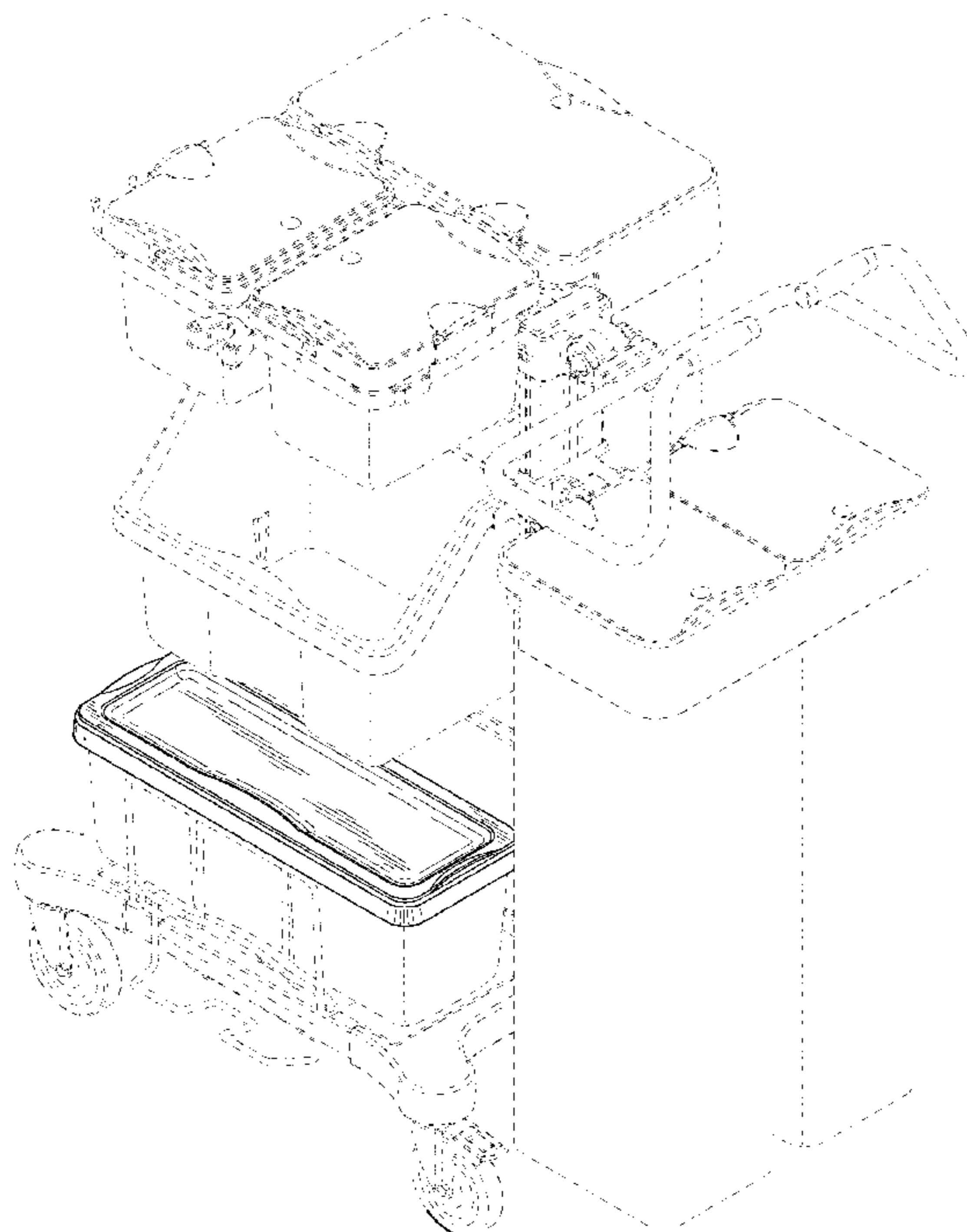
FIG. 4 is a front view of the cleaning system trolley shown in FIGS. 1-3;

FIG. 5 is a rear view of the cleaning system trolley shown in FIGS. 1-4; and,

FIG. 6 is a top view for the cleaning system trolley shown in FIGS. 1-5.

The elements shown in broken lines are included for the purpose of illustrating environment and form no part of the claimed design.

1 Claim, 6 Drawing Sheets



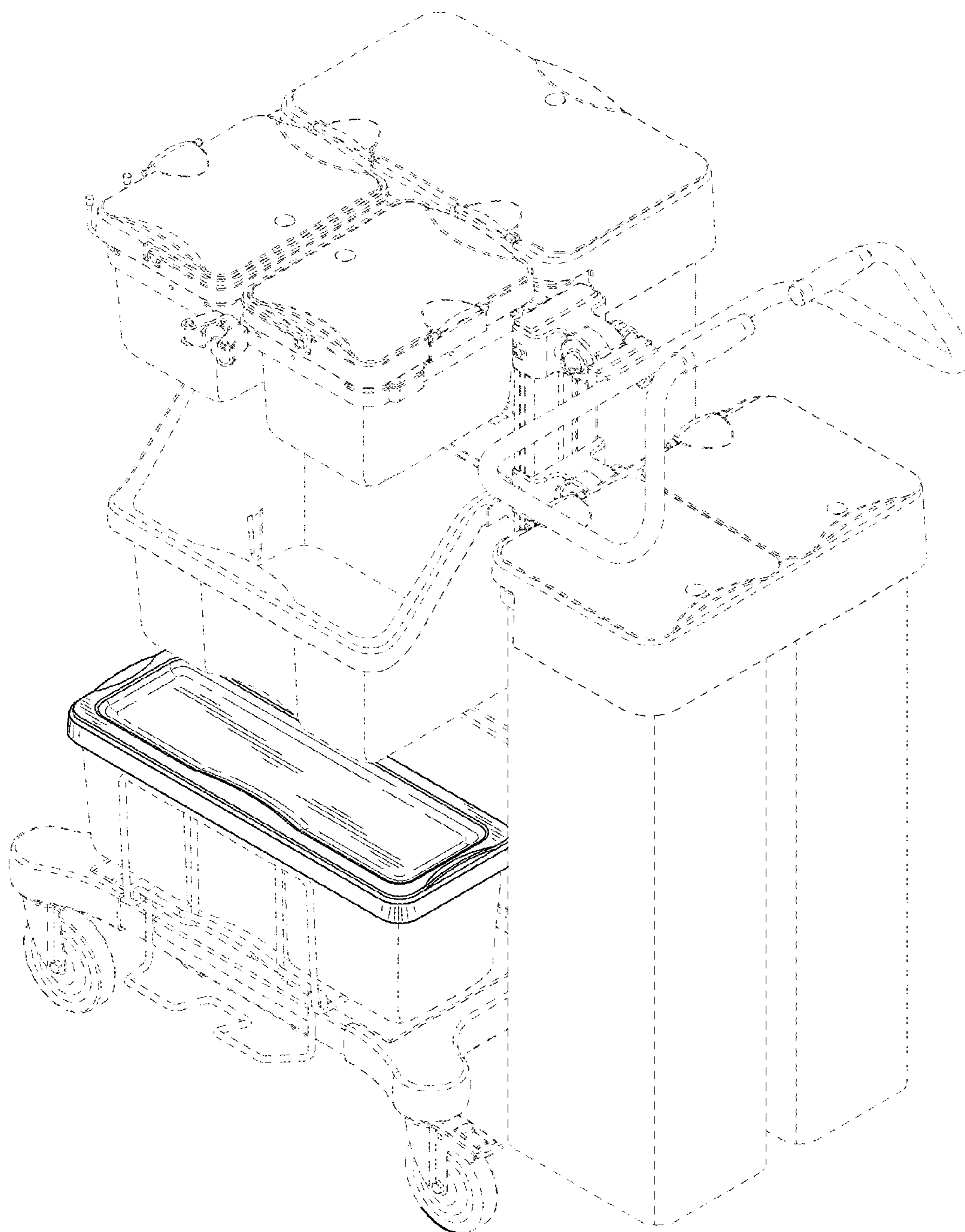


FIG. 1

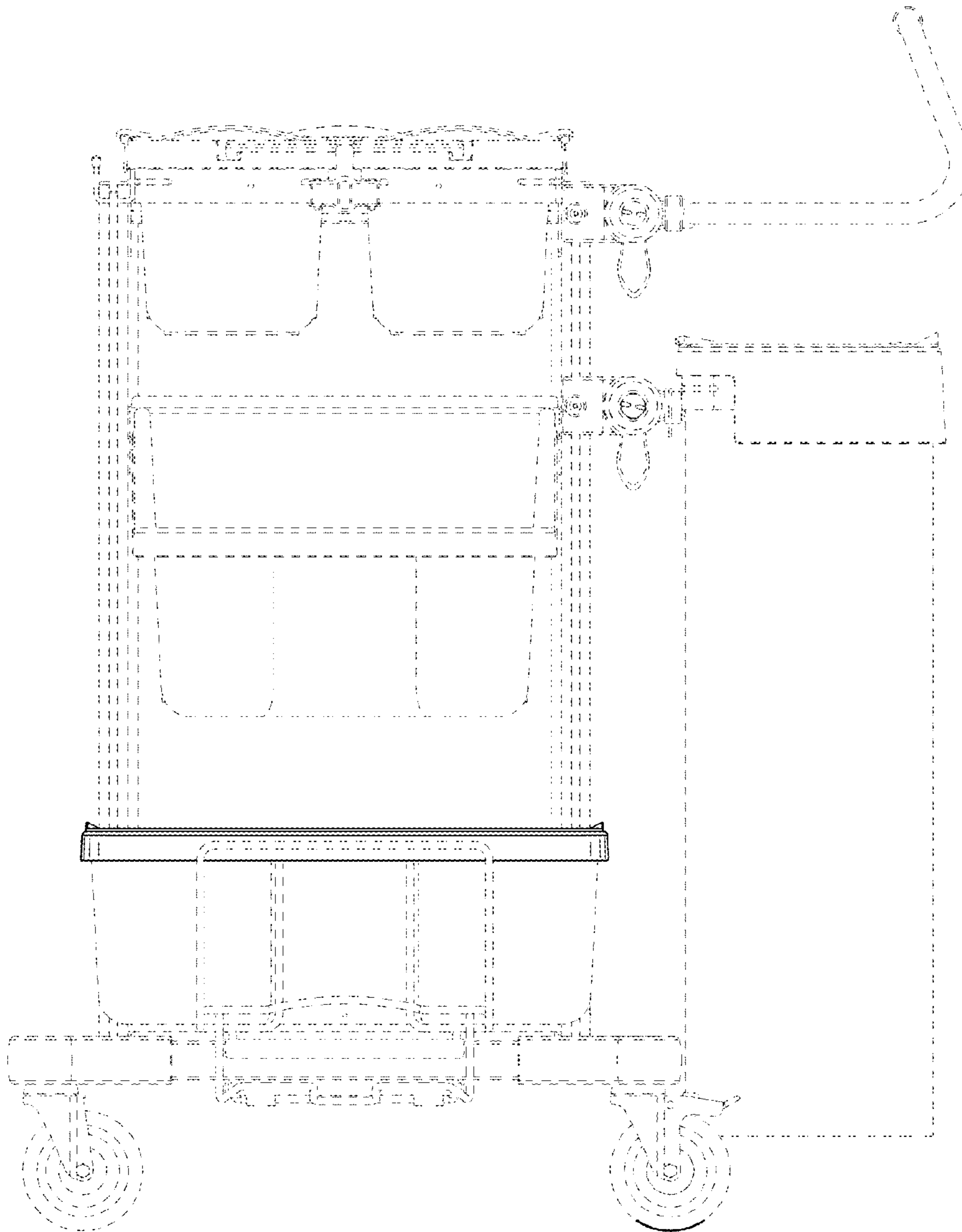


FIG. 2

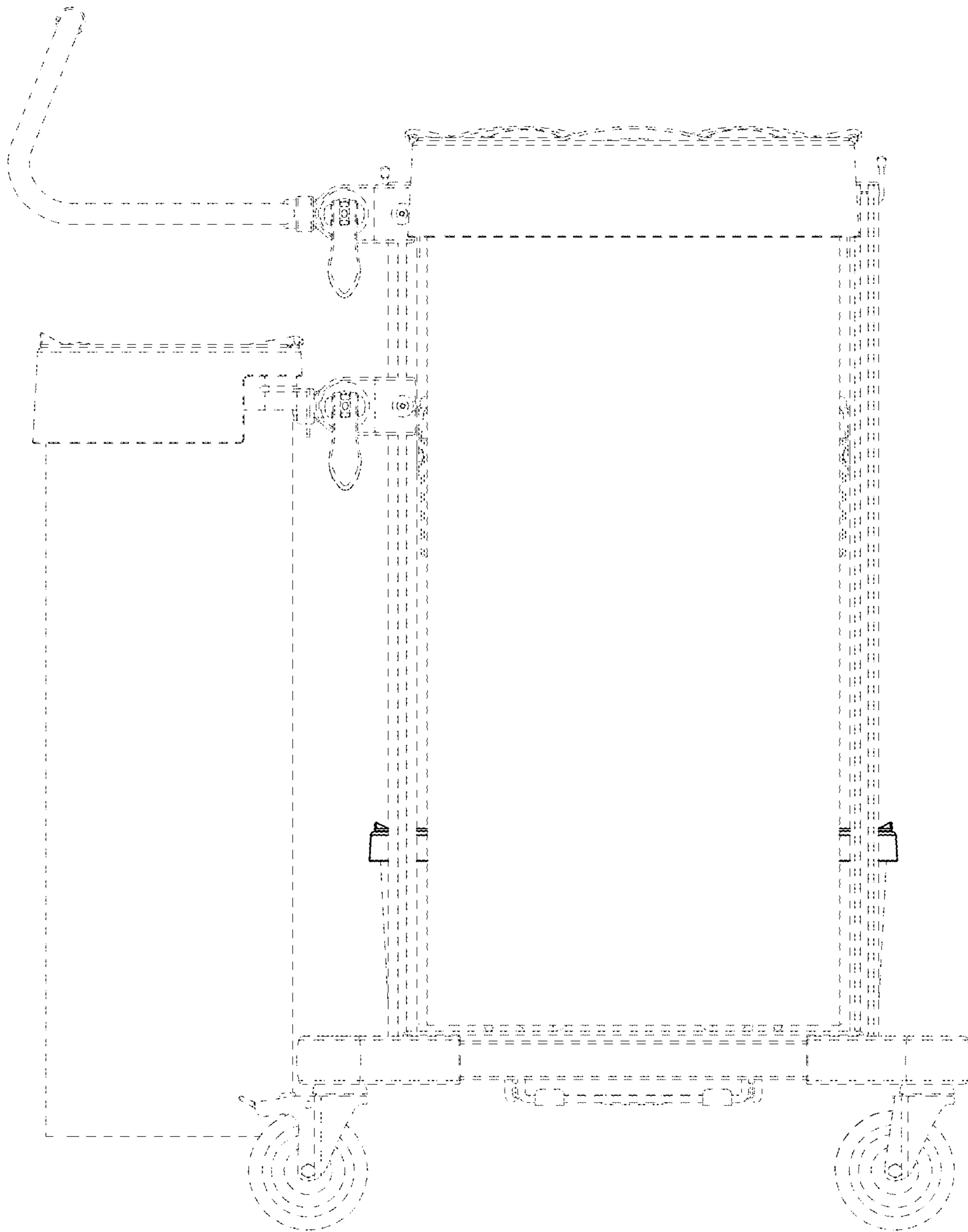


FIG. 3

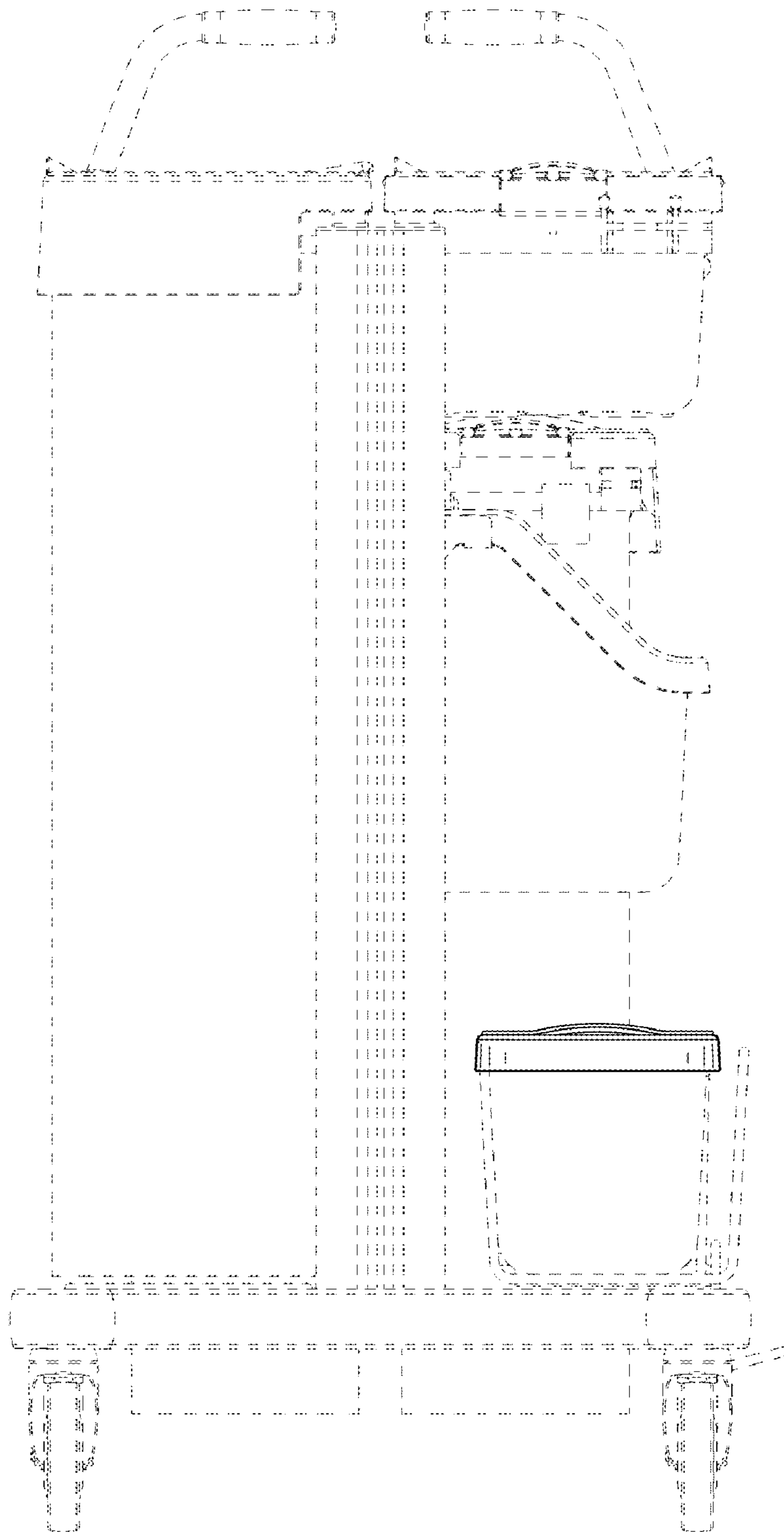


FIG. 4

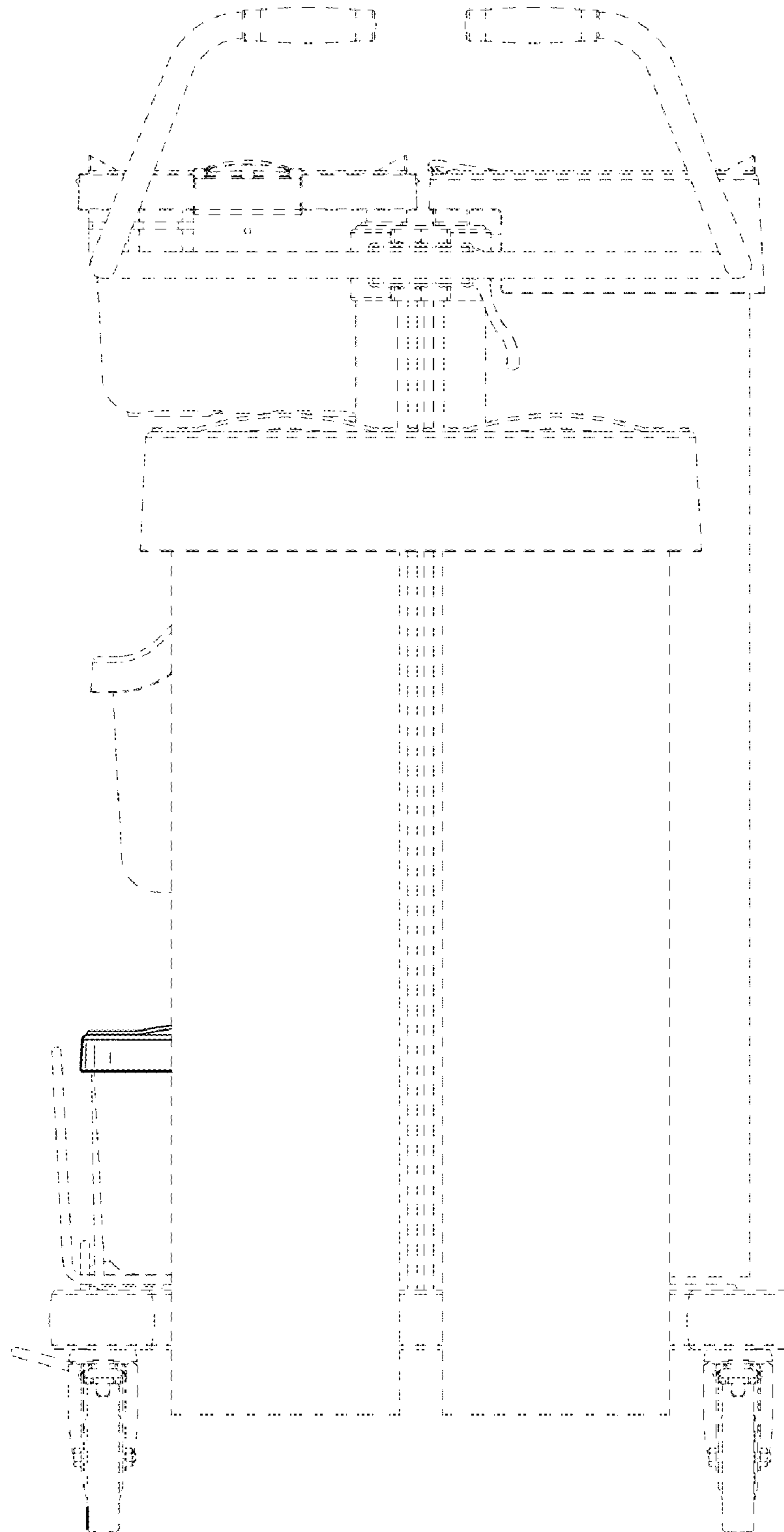


FIG. 5

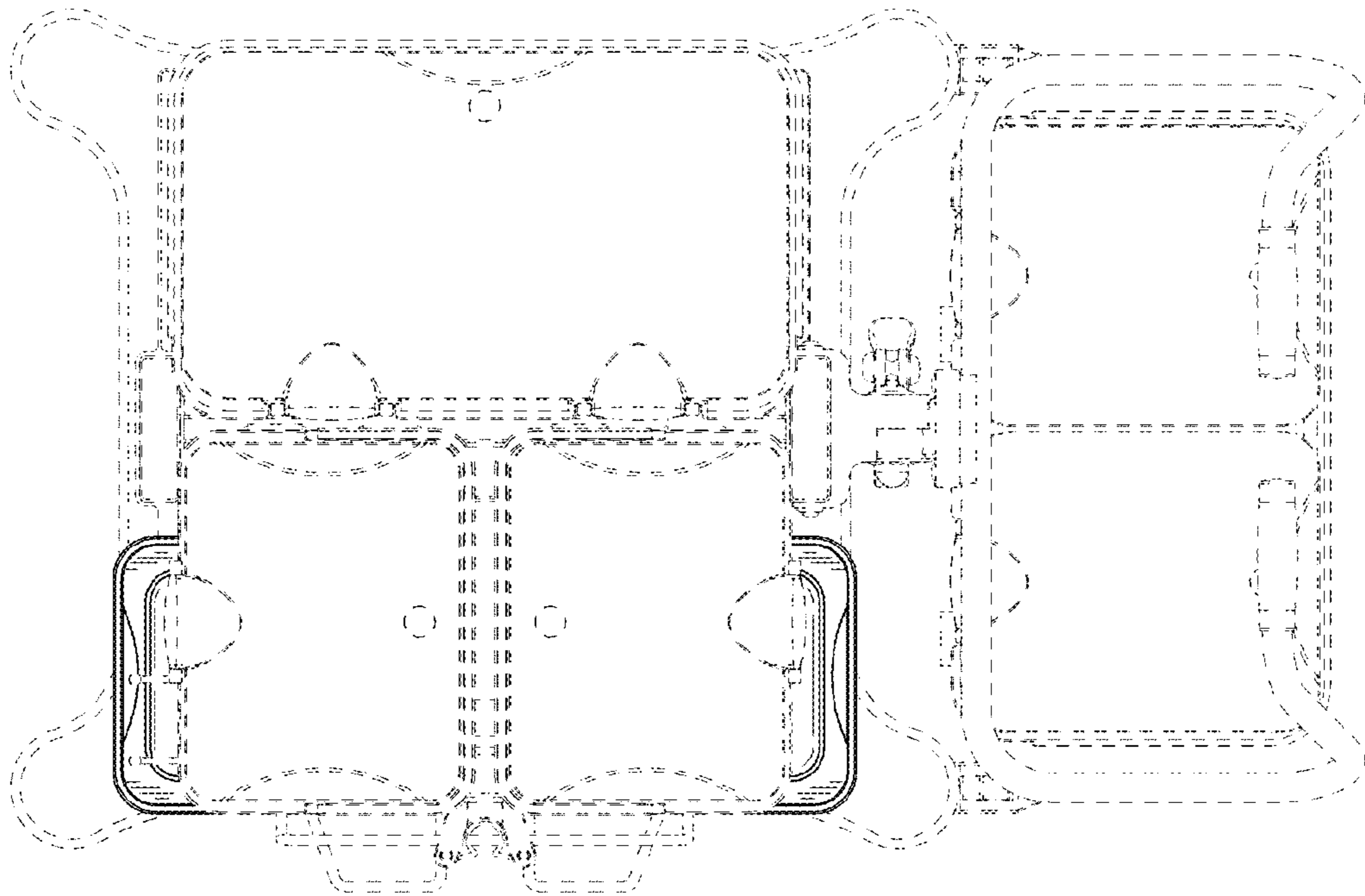


FIG. 6