



US00D678644S

(12) **United States Design Patent**
Hood

(10) **Patent No.:** **US D678,644 S**

(45) **Date of Patent:** **** Mar. 19, 2013**

(54) **DINGHY TRANSPORT**

(76) Inventor: **G. David Hood**, Westbrook, CT (US)

(**) Term: **14 Years**

(21) Appl. No.: **29/421,608**

(22) Filed: **Aug. 23, 2012**

(51) **LOC (9) Cl.** **12-02**

(52) **U.S. Cl.** **D34/24**

(58) **Field of Classification Search** D34/12-27;
280/414.2, 47.131, 414.1, 480, 79.7, 63,
280/47.331, 47.17

See application file for complete search history.

(56) **References Cited**

U.S. PATENT DOCUMENTS

D188,754	S *	9/1960	Canning	D34/24
3,603,608	A *	9/1971	Kirkpatrick	280/47.131
3,917,083	A *	11/1975	Carn	414/391
D239,094	S *	3/1976	Duffy	D34/23
D265,392	S *	7/1982	Baney	D34/15
D287,178	S *	12/1986	Babb et al.	D34/24
4,655,470	A *	4/1987	Lin	280/211
D327,968	S *	7/1992	Wright	D34/24
5,181,731	A *	1/1993	Gustavsen	280/47.131
5,871,220	A *	2/1999	Lombard	280/79.7

6,234,499	B1 *	5/2001	Irwin et al.	280/63
D449,415	S *	10/2001	Durieux	D34/17
6,364,336	B1 *	4/2002	Jenkins	280/414.2
D476,476	S *	7/2003	Hansen	D3/204
7,111,851	B2 *	9/2006	Duncan	280/47.26
7,296,816	B2 *	11/2007	Wilnau	280/414.2
D668,014	S *	9/2012	Manak	D34/24

* cited by examiner

Primary Examiner — Cynthia Ramirez

(57) **CLAIM**

The ornamental design for a dinghy transport, as shown and described.

DESCRIPTION

FIG. 1 is top perspective view of the dinghy transport according to the invention;

FIG. 2 is a front plan view of the dinghy transport of FIG. 1;

FIG. 3 is a rear plan view of the dinghy transport of FIG. 1;

FIG. 4 is a top plan view of the dinghy transport of FIG. 1;

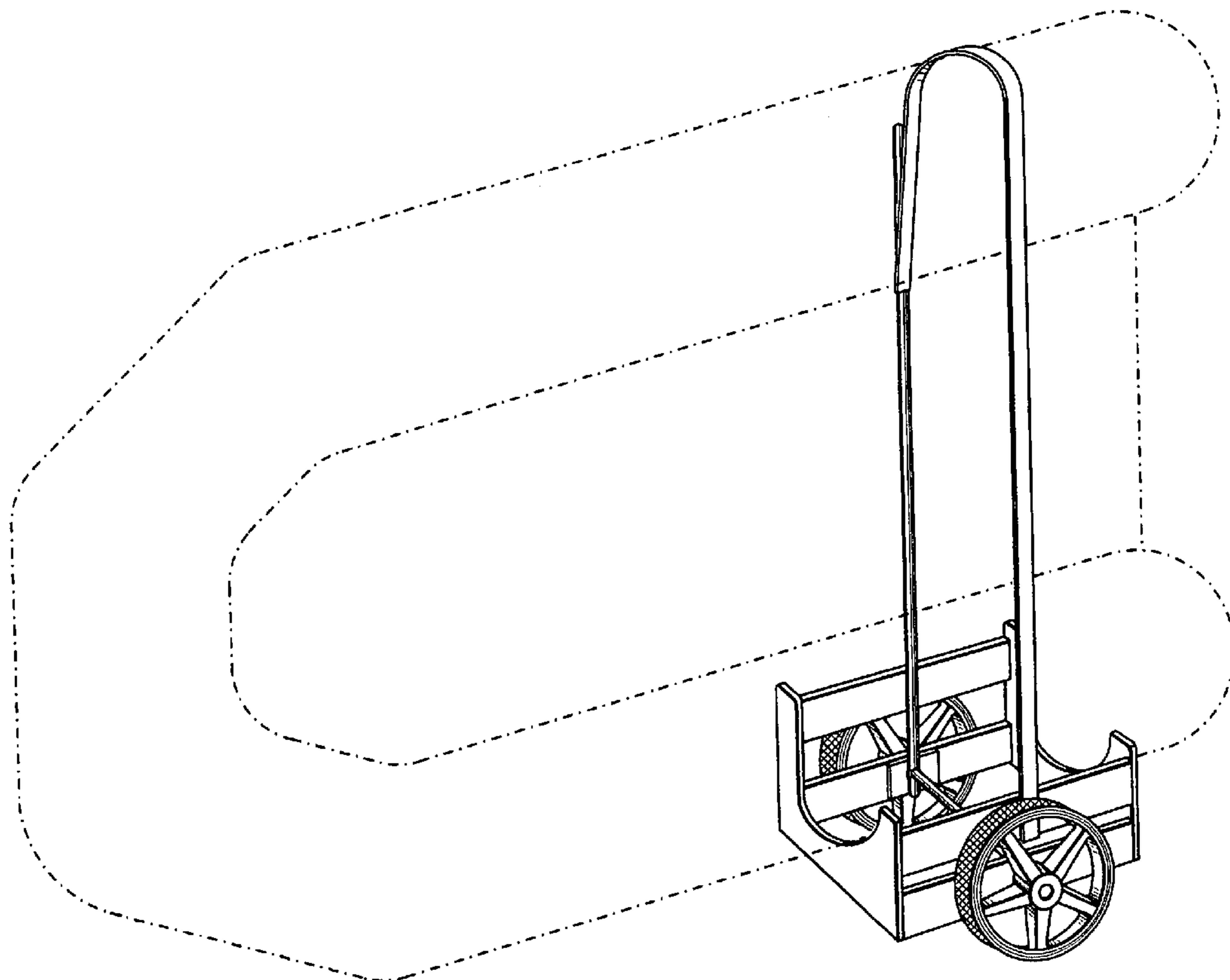
and,

FIG. 5 is a bottom plan view of the dinghy transport of FIG. 1.

1.

The broken line showing of a dinghy is included for the purpose of illustrating environment and forms no part of the claimed design.

1 Claim, 5 Drawing Sheets



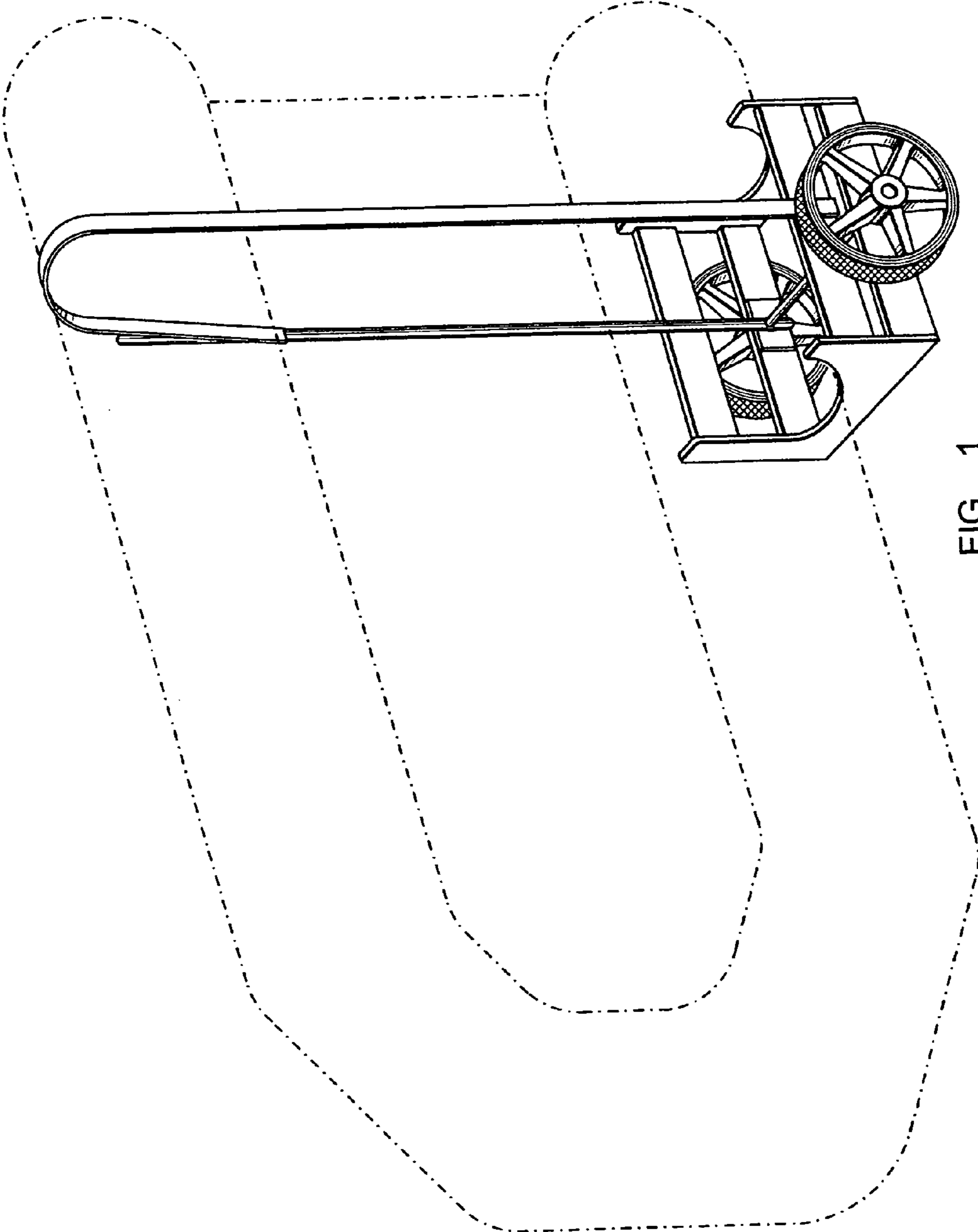


FIG. 1

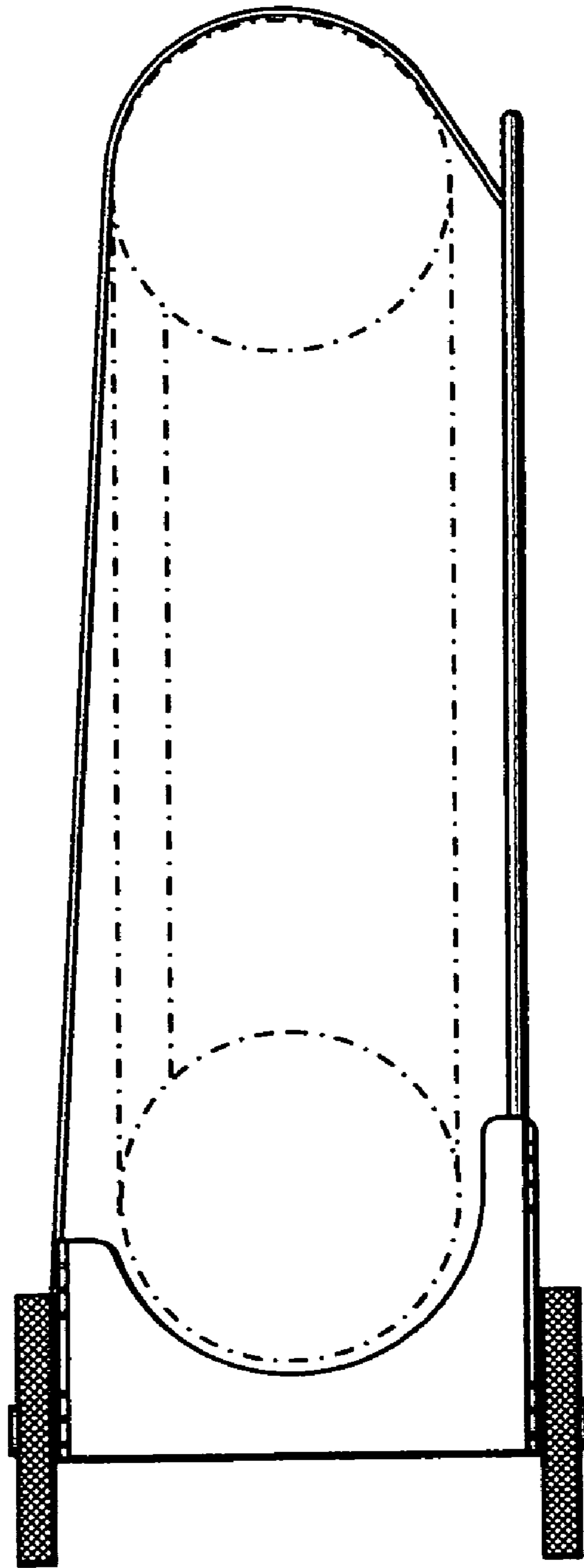


FIG. 2

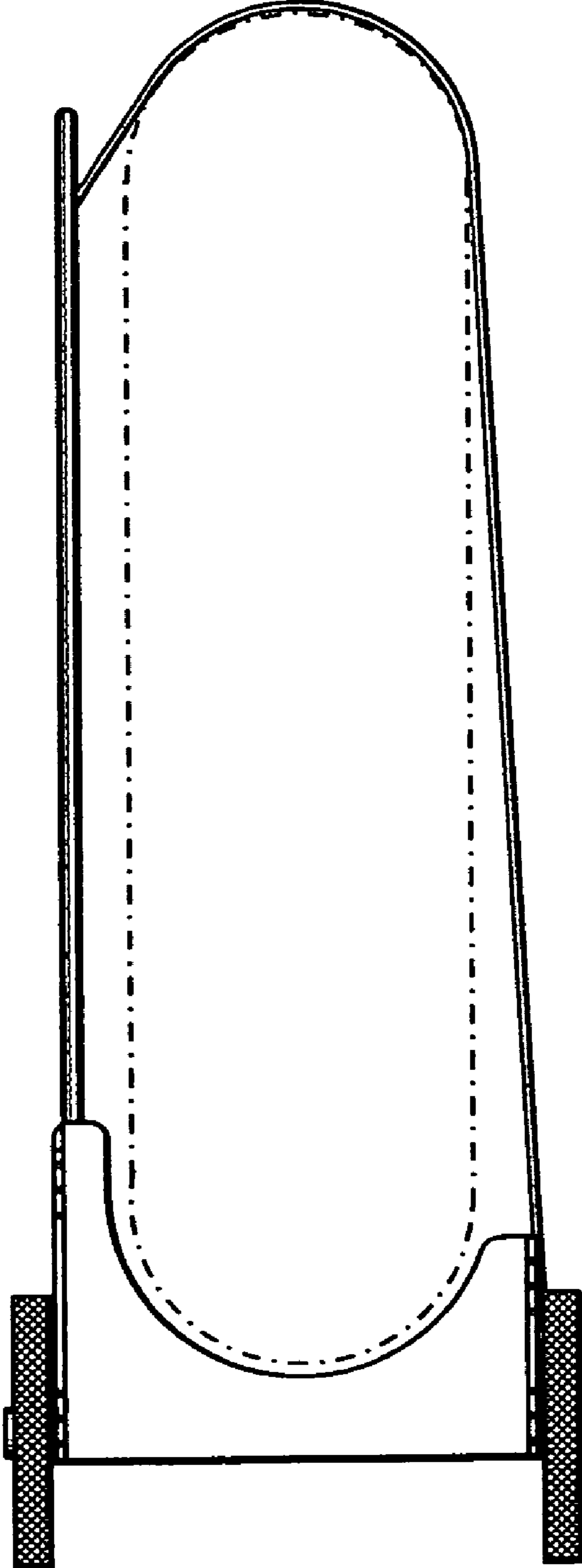


FIG. 3

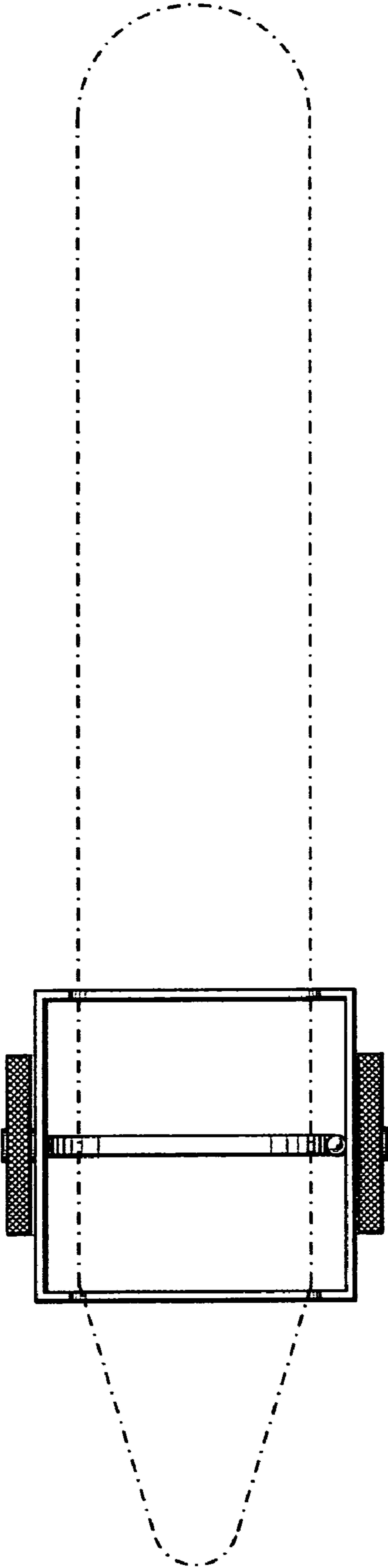


FIG. 4

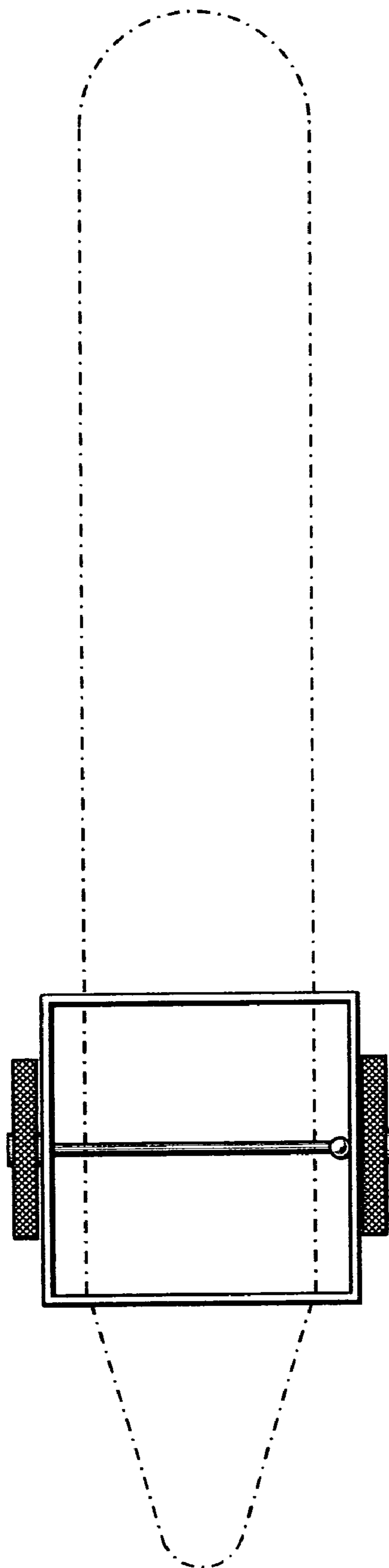


FIG. 5