



US00D678643S

(12) **United States Design Patent**
Presley

(10) **Patent No.:** **US D678,643 S**

(45) **Date of Patent:** **** Mar. 19, 2013**

(54) **GARDEN DOLLY**

(76) Inventor: **Junie Presley**, Huntsville, AR (US)

(**) Term: **14 Years**

(21) Appl. No.: **29/419,600**

(22) Filed: **Apr. 30, 2012**

(51) **LOC (9) Cl.** **12-02**

(52) **U.S. Cl.** **D34/24**

(58) **Field of Classification Search** D34/12-27;
280/642, 644, 42, 33.991, 33.992, 33.993,
280/33.94, 33.95, 47.24, 47.27, 47.19, 33.996,
280/33.997, 33.998, 47.35

See application file for complete search history.

D481,511 S * 10/2003 Lee D34/24
7,063,218 B2 * 6/2006 Pleiman et al. 211/70.6
7,168,714 B2 * 1/2007 Gibbs 280/47.34
D615,723 S * 5/2010 Walter D34/12
D633,679 S * 3/2011 DeLuca D34/23
D638,191 S * 5/2011 Goth et al. D34/24
D655,880 S * 3/2012 Giampavolo et al. D34/12

* cited by examiner

Primary Examiner — Cynthia Ramirez

(74) *Attorney, Agent, or Firm* — Keisling & Pieper PLC;
David B. Pieper

(57) **CLAIM**

The ornamental design for a garden dolly, as shown and described.

DESCRIPTION

FIG. 1 is a perspective view of a garden dolly showing my new design;

FIG. 2 is a front view thereof;

FIG. 3 is a back view thereof;

FIG. 4 is a right side view thereof, the left side view being a mirror image thereof;

FIG. 5 is a top view thereof; and,

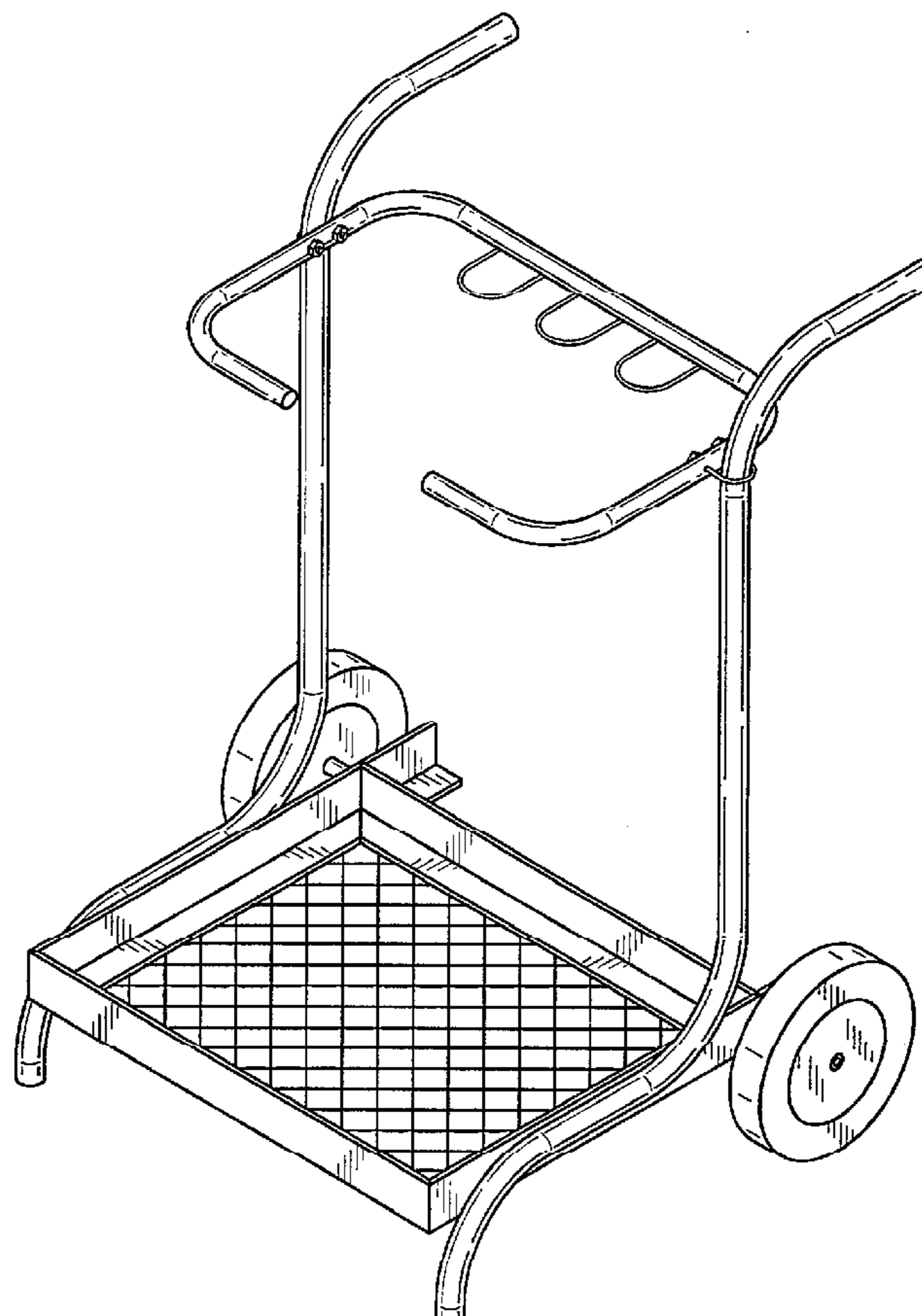
FIG. 6 is a bottom view thereof.

1 Claim, 3 Drawing Sheets

(56) **References Cited**

U.S. PATENT DOCUMENTS

D179,126 S * 11/1956 Eging D34/15
3,894,748 A * 7/1975 Ratcliff 280/641
4,350,366 A * 9/1982 Helms 280/655
D349,319 S * 8/1994 Bayer D21/739
D396,924 S * 8/1998 Cardenas D34/24
5,833,250 A * 11/1998 Schier et al. 280/47.19
D409,345 S * 5/1999 Nordgren D34/24
5,967,544 A * 10/1999 Kanta 280/652
D480,527 S * 10/2003 Kollen D34/21



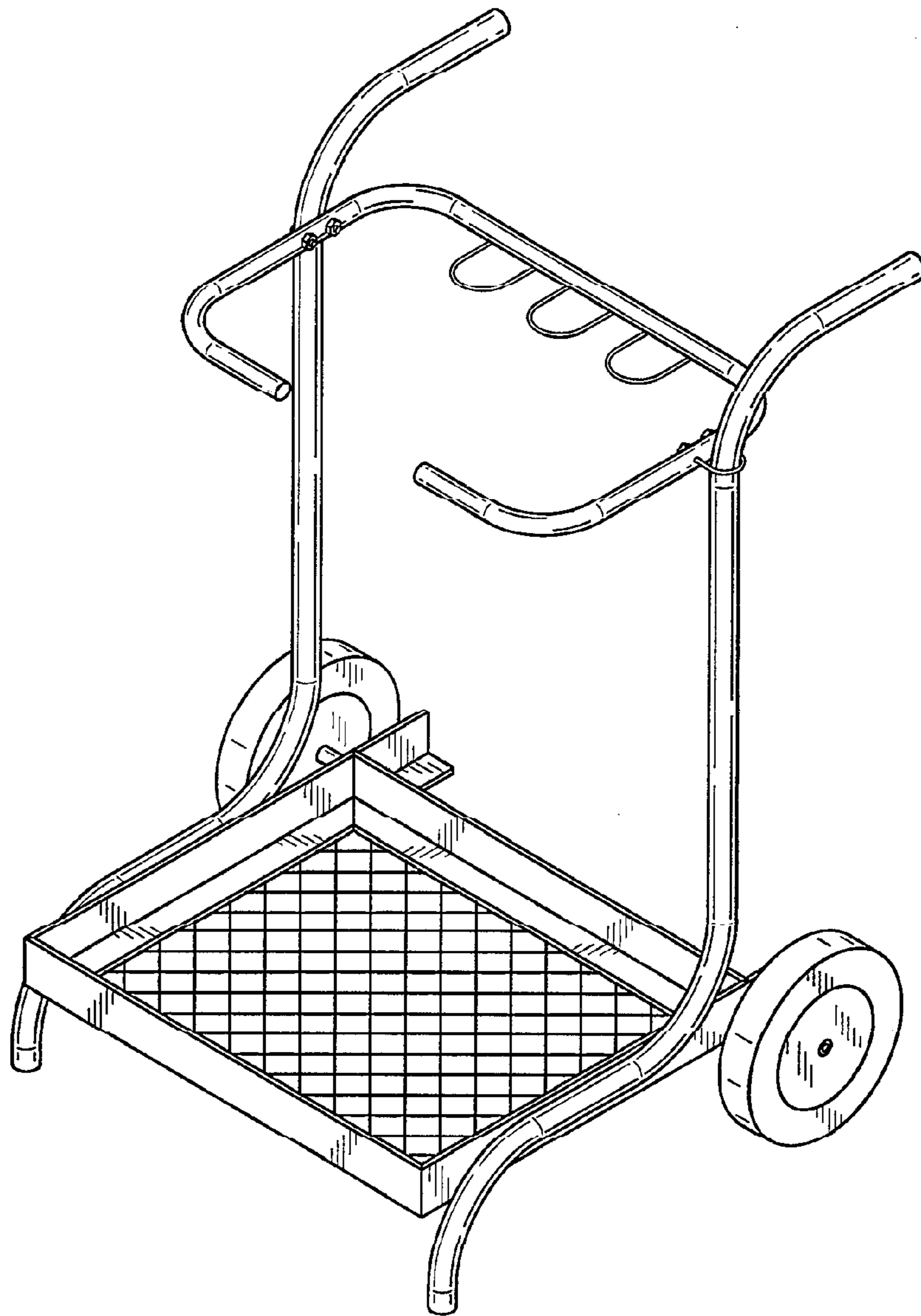


FIG. 1

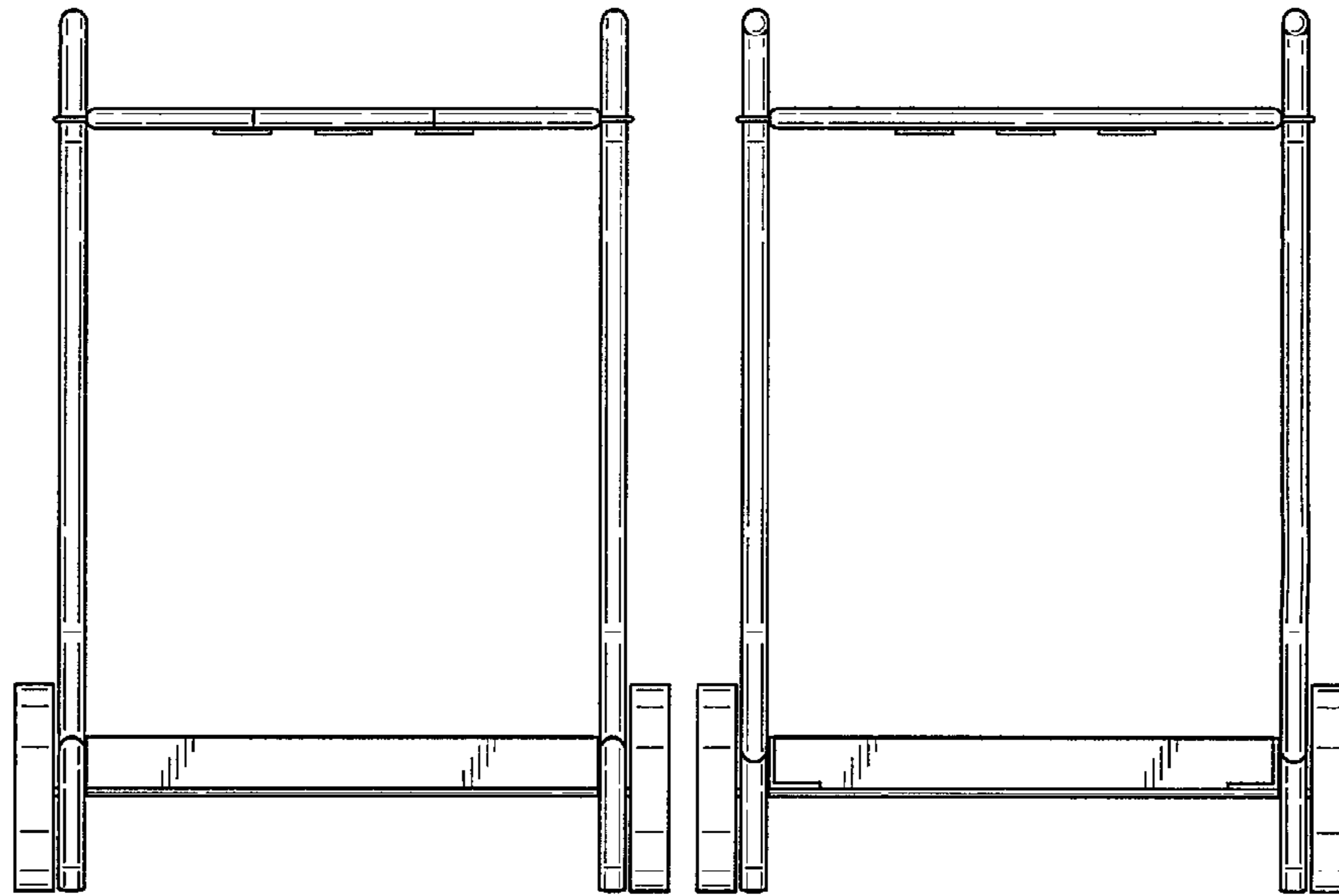


FIG. 2

FIG. 3

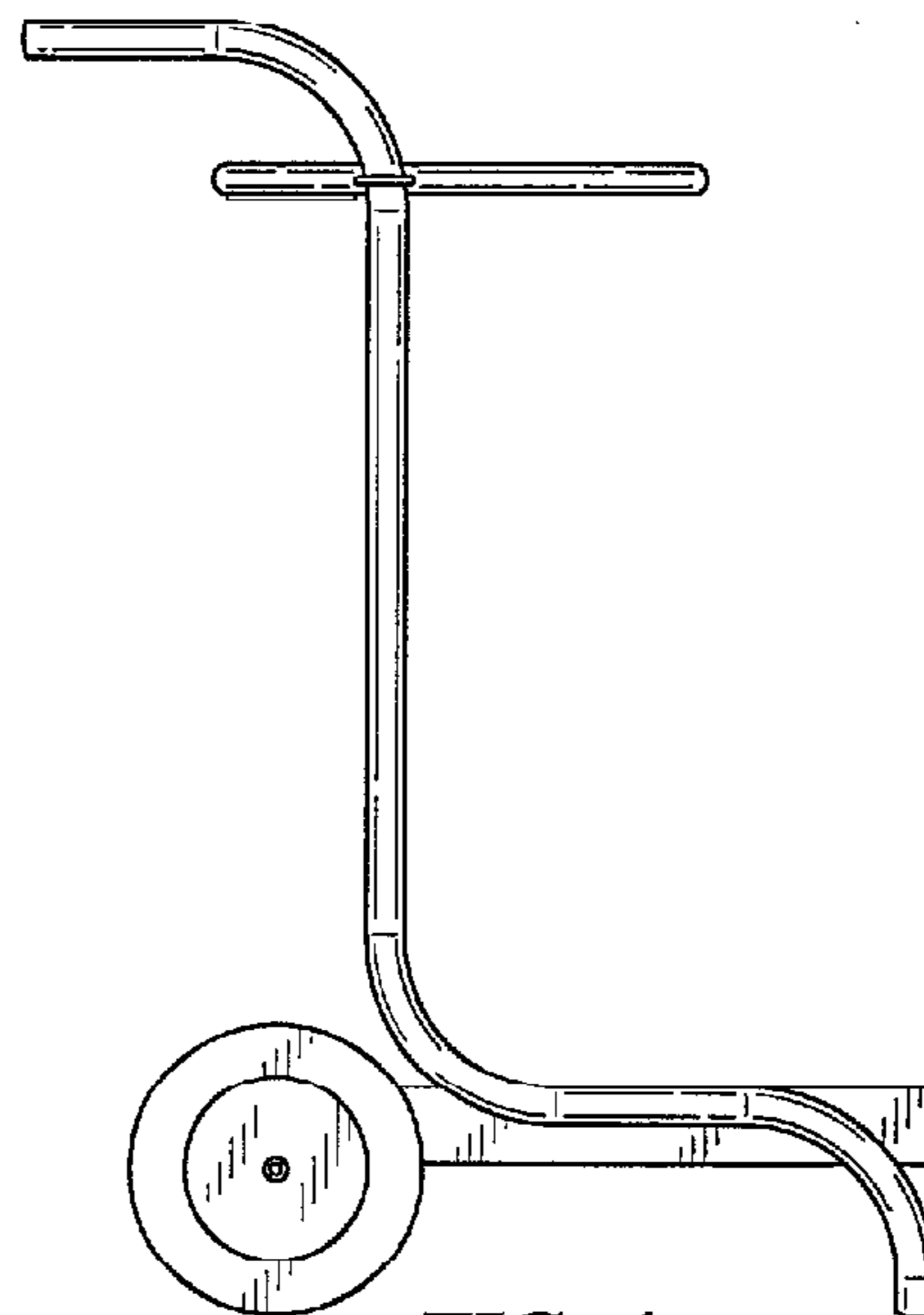


FIG. 4

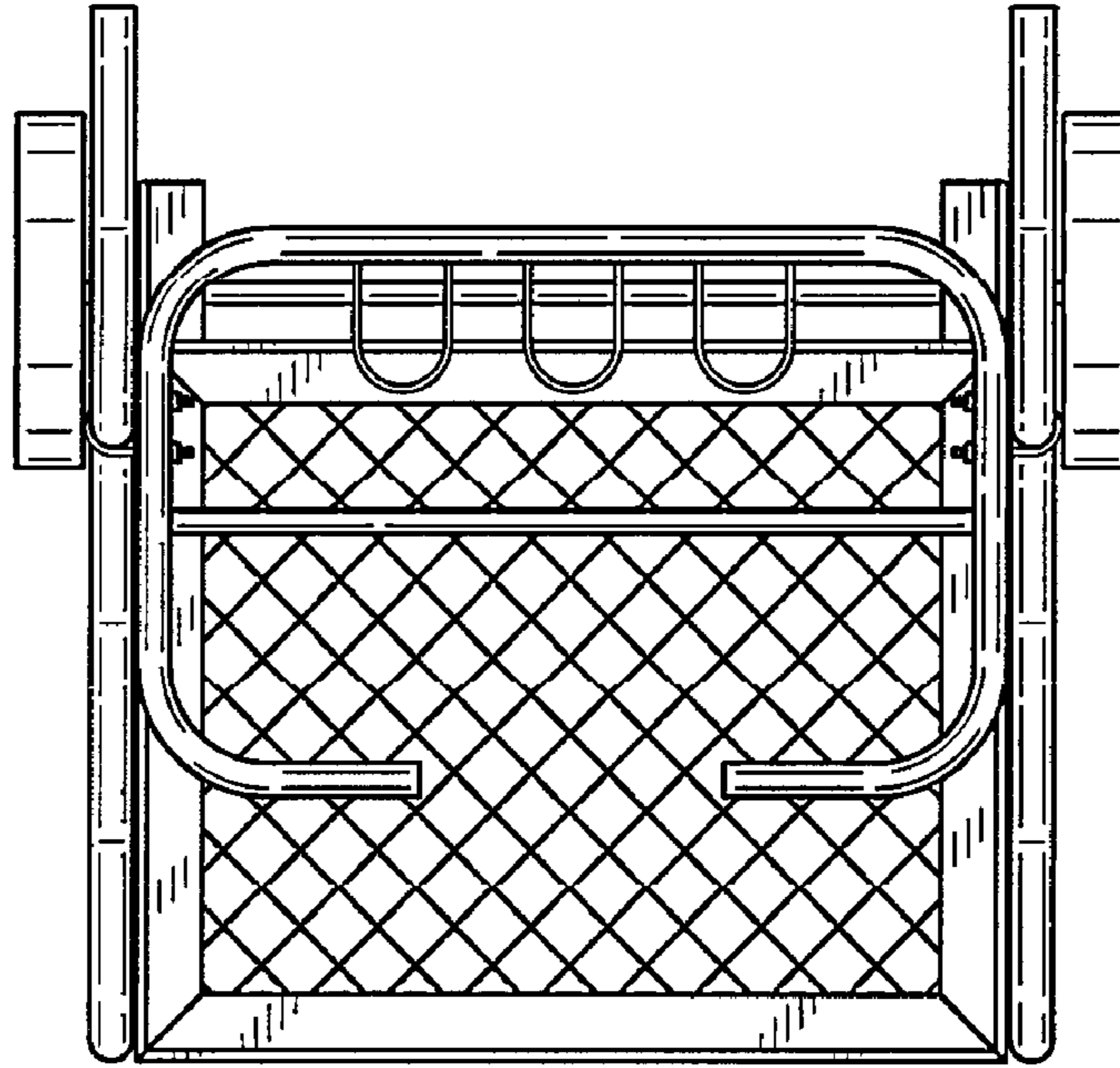


FIG. 5

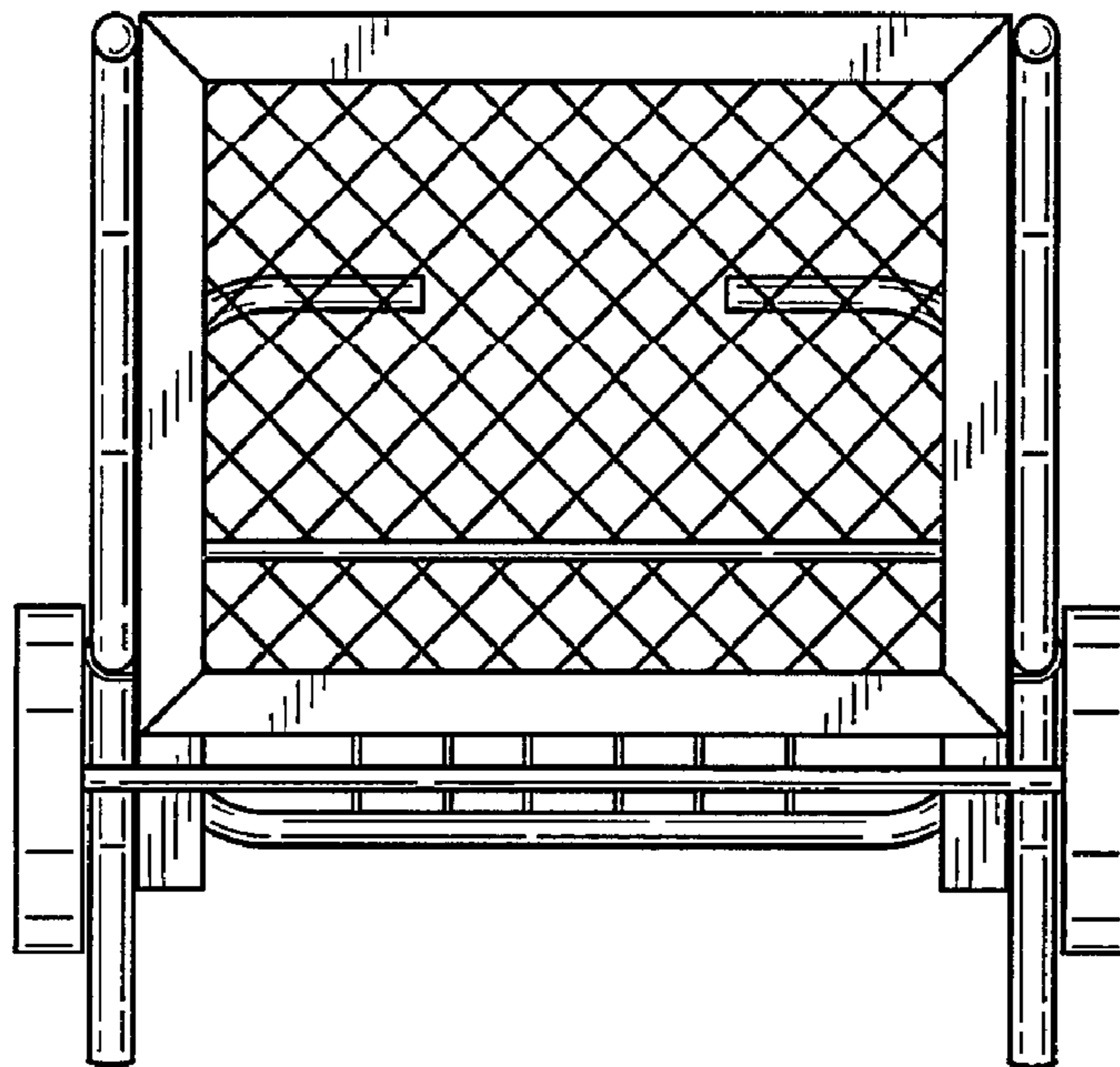


FIG. 6