



US00D678642S

(12) **United States Design Patent**
Riddiford

(10) **Patent No.:** **US D678,642 S**

(45) **Date of Patent:** **** Mar. 19, 2013**

(54) **CARRIER**

(75) Inventor: **Martin Philip Riddiford**, London (GB)

(73) Assignee: **Fillaball Holdings Limited**, Smarden Kent (GB)

(**) Term: **14 Years**

(21) Appl. No.: **29/417,579**

(22) Filed: **Apr. 5, 2012**

(30) **Foreign Application Priority Data**

Jul. 10, 2011 (EP) 001929191-0001

(51) **LOC (9) Cl.** **12-02**

(52) **U.S. Cl.** **D34/24**

(58) **Field of Classification Search** D34/12-27;
280/47.331, 414.1, 204, 47.24, 47.27, 47.28,
280/47.29, 40, 652

See application file for complete search history.

(56) **References Cited**

U.S. PATENT DOCUMENTS

2,932,526 A 4/1960 Campbell
3,923,318 A 12/1975 Renard
5,035,437 A * 7/1991 Woodward 280/40

D330,960 S * 11/1992 Roberson D34/26
5,176,394 A * 1/1993 Veazey 280/414.2
D427,407 S * 6/2000 Witt D34/24
6,142,491 A * 11/2000 Darling, III 280/30
6,158,762 A 12/2000 Wong
D459,852 S * 7/2002 Och D34/26

* cited by examiner

Primary Examiner — Cynthia Ramirez

(74) *Attorney, Agent, or Firm* — Dicke, Billig & Czaja, PLLC

(57) **CLAIM**

I claim the ornamental design for a carrier, as shown and described.

DESCRIPTION

FIG. 1 is a front perspective view of a carrier in expanded position showing my new design;
FIG. 2 is a rear elevation view of the same carrier;
FIG. 3 is a right side elevation view of the same carrier, the left side elevation view being a mirror image of the same;
FIG. 4 is a top plan view of the same carrier; and,
FIG. 5 is a top plan view of the same carrier in an alternate position in which the carrier is collapsed.
The ends of the flexible strap are not fixed in place and therefore are shown in representative positions.

1 Claim, 5 Drawing Sheets

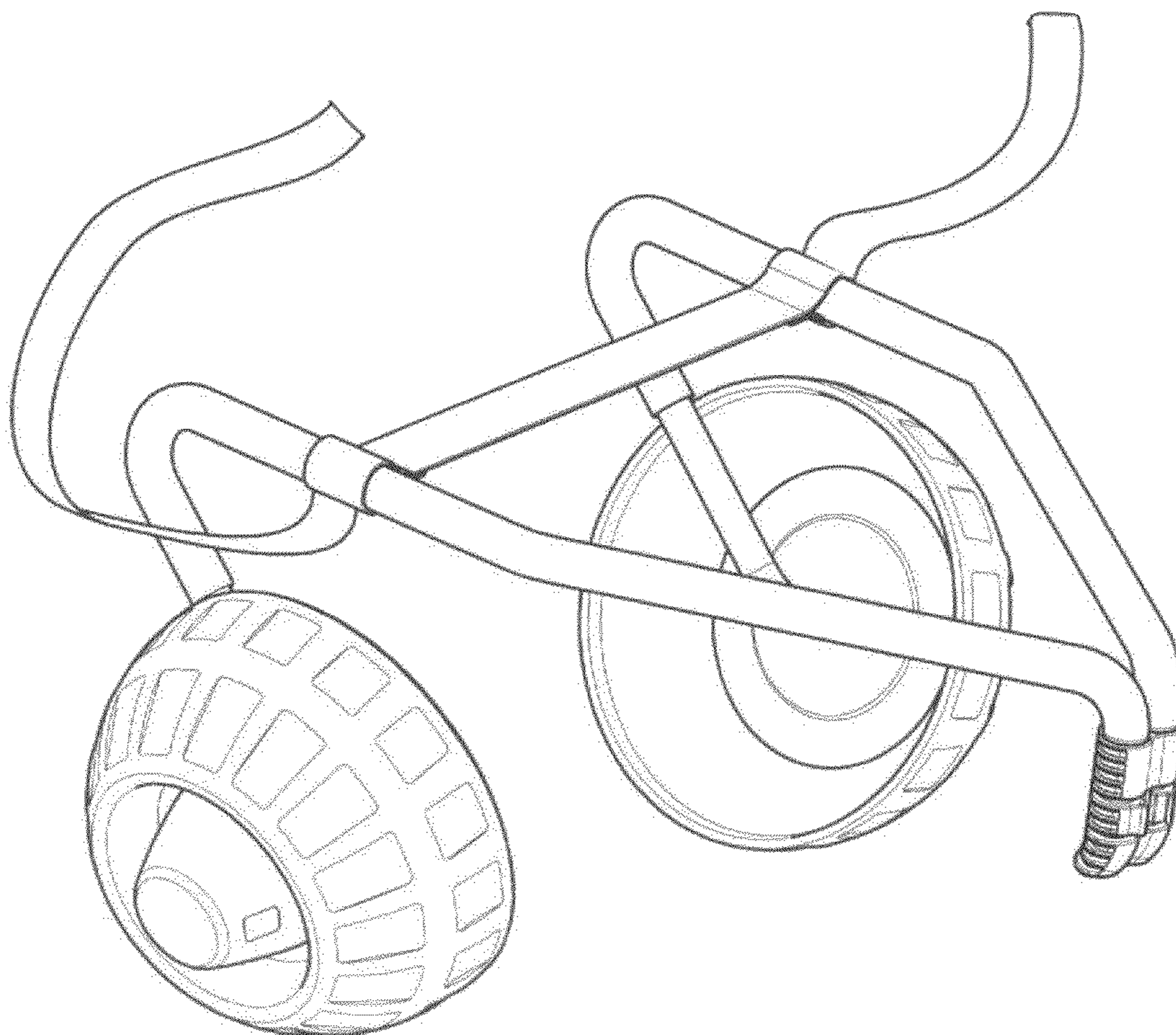


Figure 1

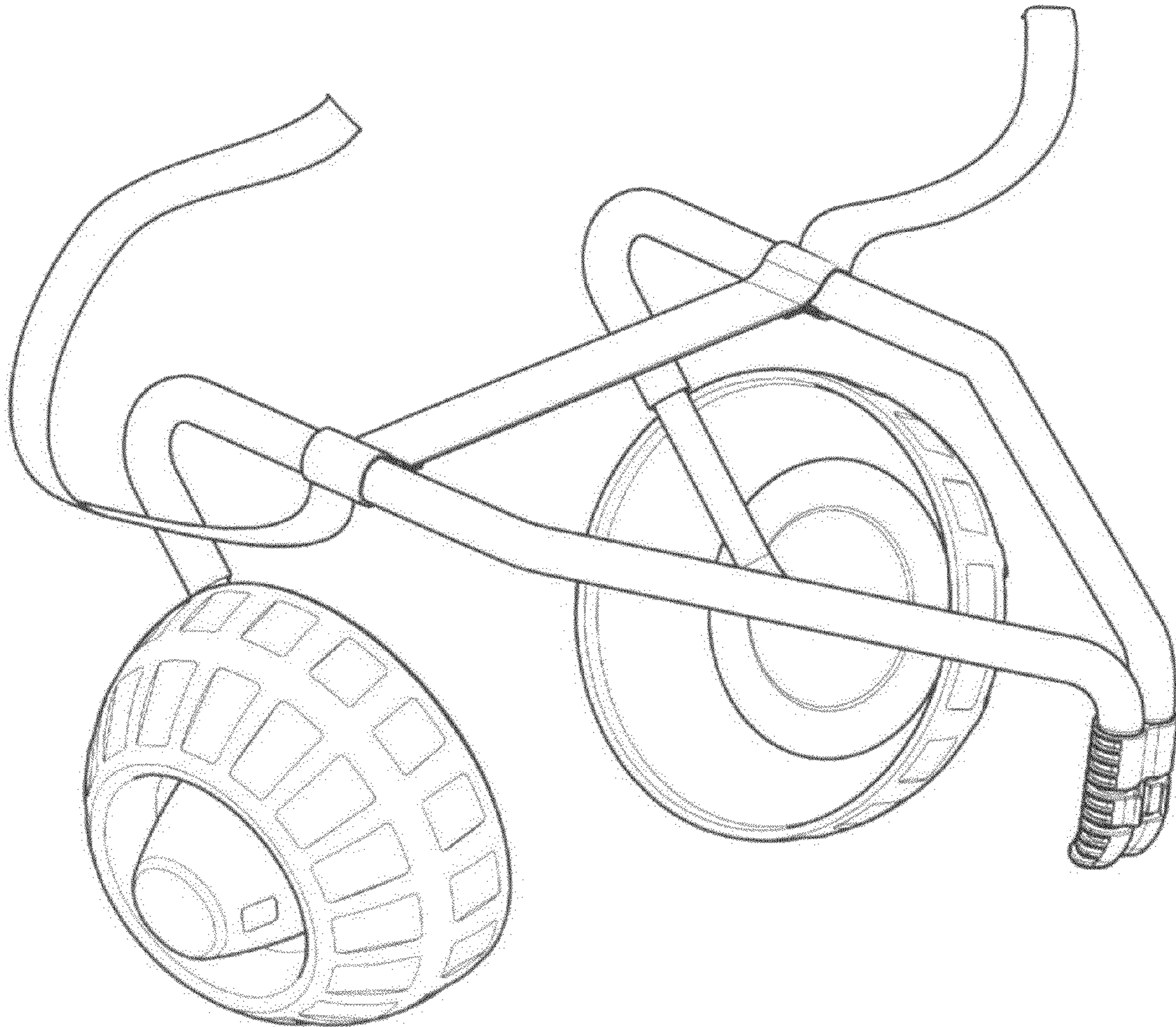


Figure 2

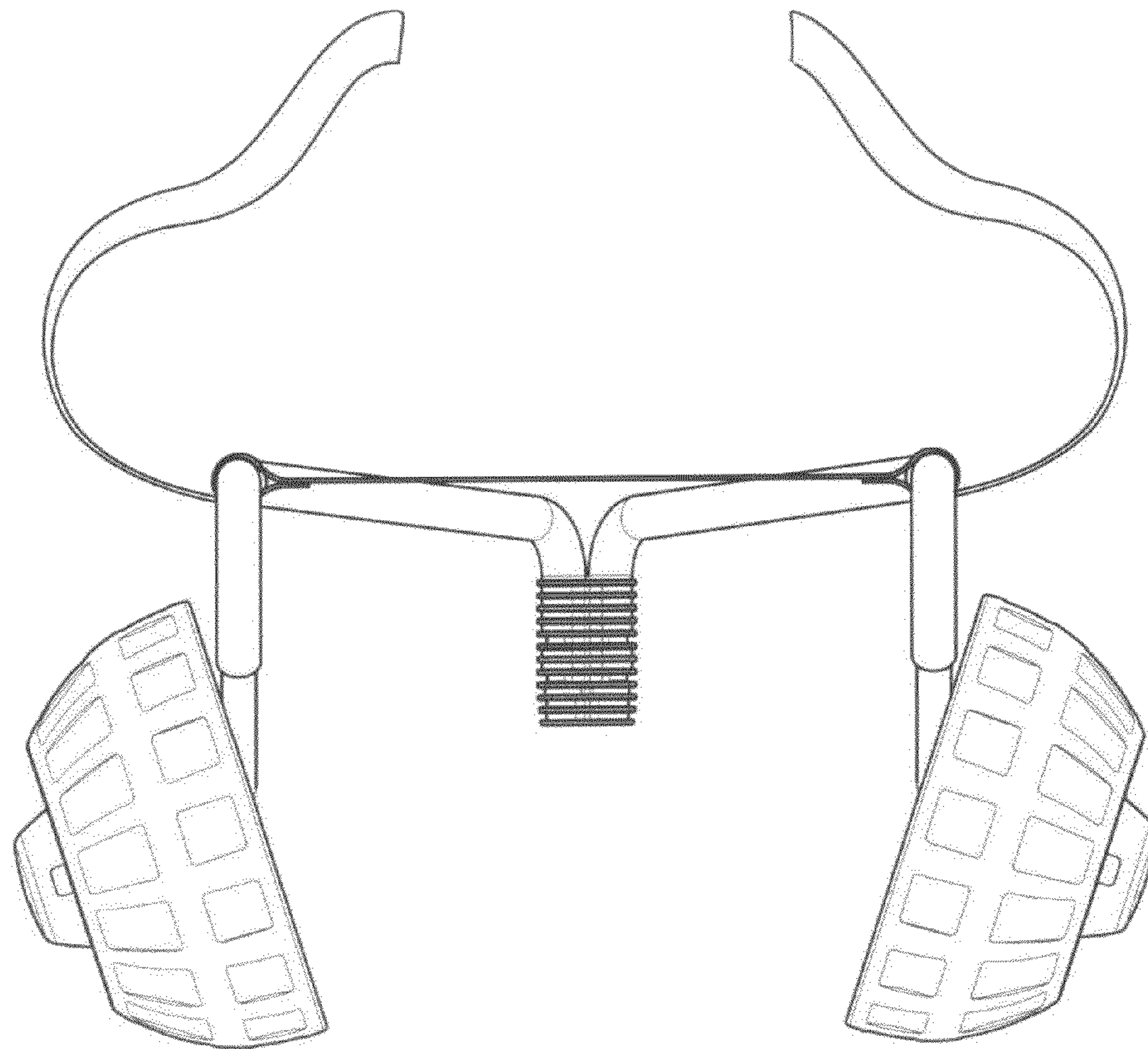
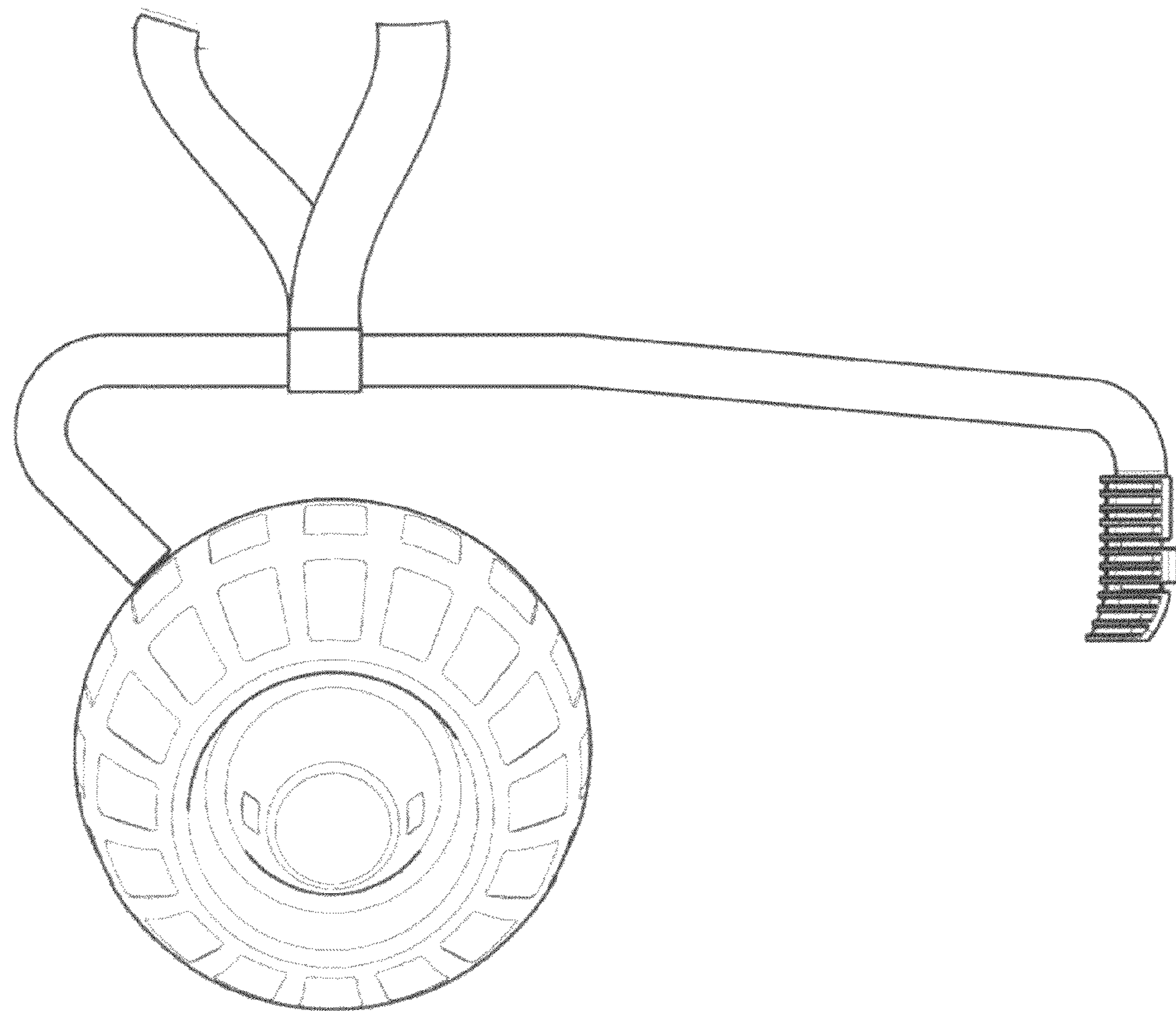


Figure 3



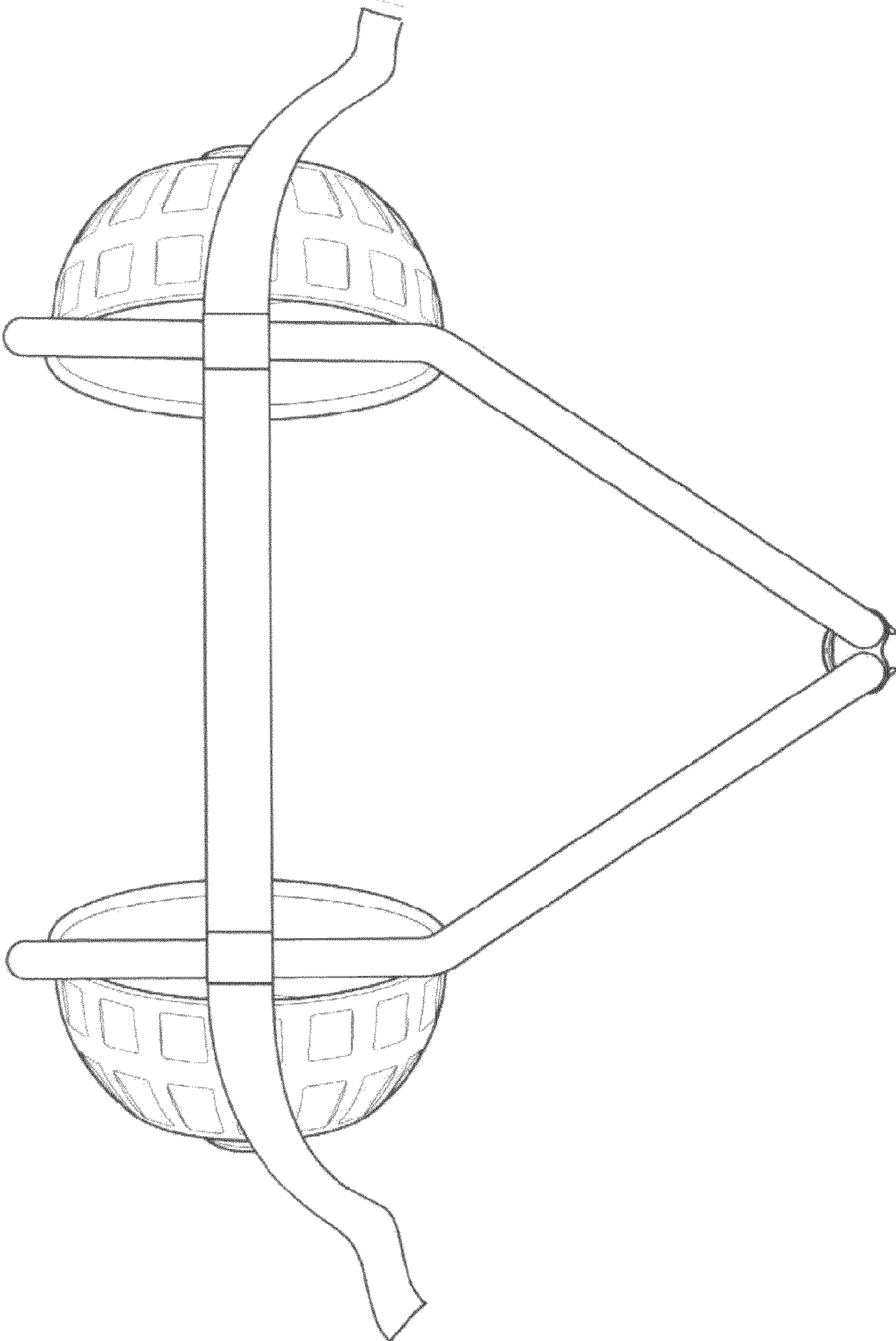


Figure 4

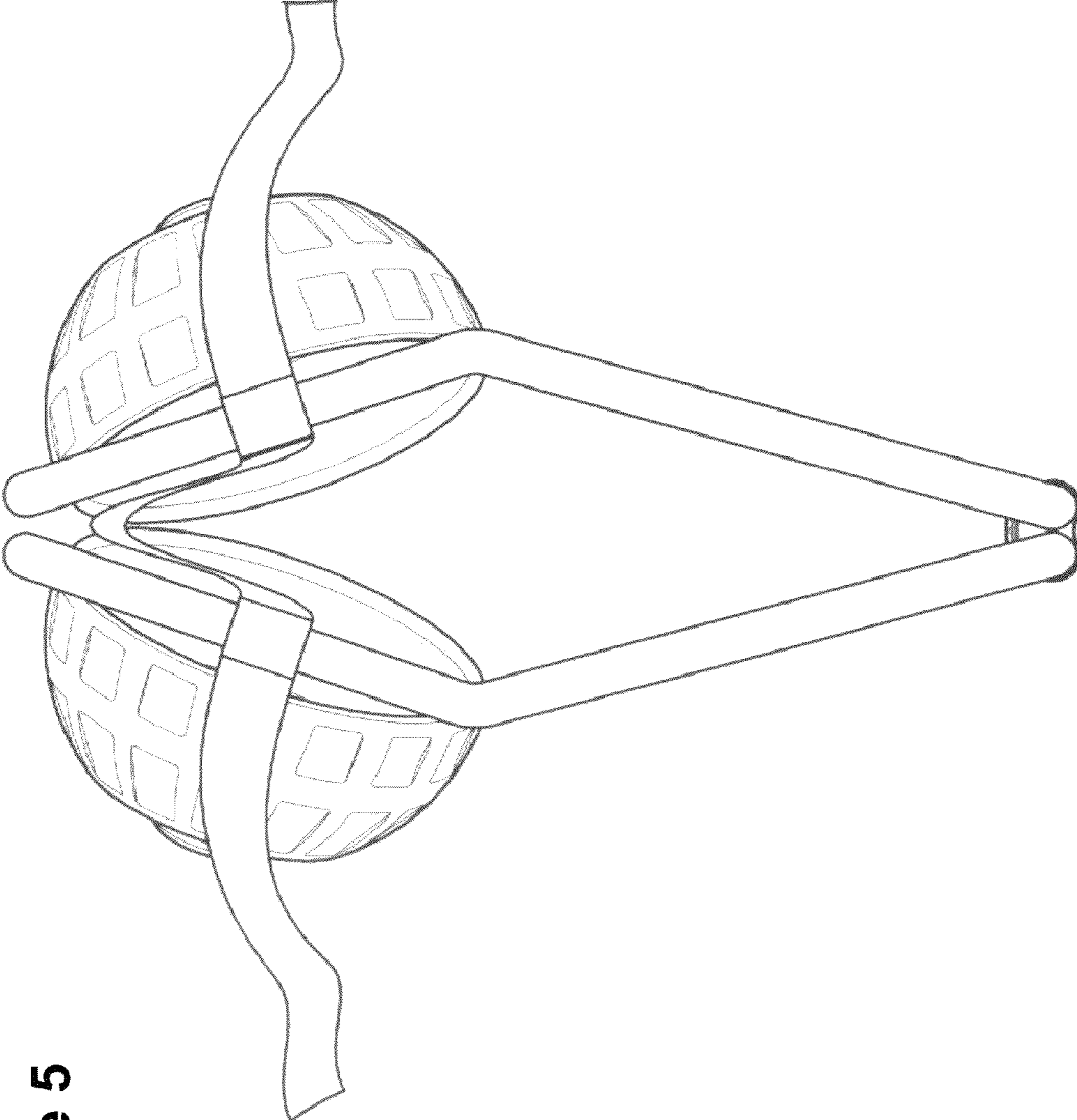


Figure 5