



US00D678640S

(12) **United States Design Patent**
Es

(10) **Patent No.:** **US D678,640 S**
(45) **Date of Patent:** **** Mar. 19, 2013**

(54) **ROLLING CART WITH ROUND END CAPS**

D527,857 S * 9/2006 Van Es D34/21

(76) Inventor: **Anton Van Es**, Beamsville (CA)

* cited by examiner

(**) Term: **14 Years**

Primary Examiner — Cynthia Ramirez

(21) Appl. No.: **29/420,106**

(57) **CLAIM**

The ornamental design for a rolling cart with round end caps, as shown and described.

(22) Filed: **May 4, 2012**

DESCRIPTION

(51) **LOC (9) Cl.** **12-02**

(52) **U.S. Cl.** **D34/21**

(58) **Field of Classification Search** D34/12-27;
280/47.19, 47.24, 79.11; 248/302, 303; 211/13.1,
211/74, 60.1; D6/464, 465, 463, 411

See application file for complete search history.

FIG. 1 is a left side top front perspective view of a rolling cart with round end caps.

FIG. 2 is a front plan view of the rolling cart with round end caps of the present design shown in FIG. 1.

FIG. 3 is a left end elevational view of the rolling cart with round end caps of the present design shown in FIG. 1.

FIG. 4 is a top plan view of the rolling cart with round end caps of the present design shown in FIG. 1.

FIG. 5 is a rear plan view of the rolling cart with round end caps of the present design shown in FIG. 1; and,

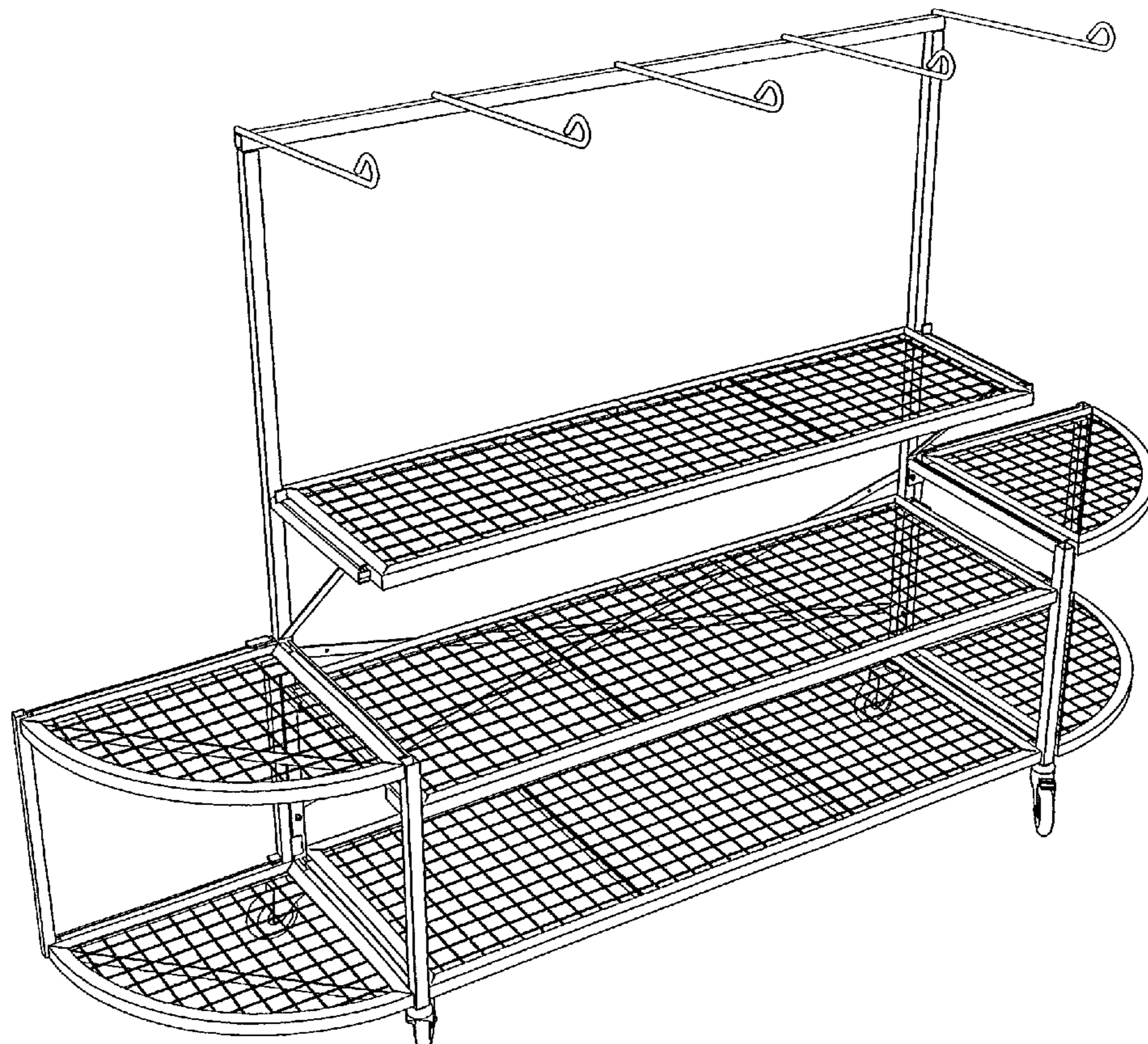
FIG. 6 is a right side top rear perspective view of the rolling cart with round end caps of the present design shown in FIG. 1.

(56) **References Cited**

U.S. PATENT DOCUMENTS

D182,483	S	*	4/1958	Skinner	D34/21
4,976,360	A	*	12/1990	Zucker et al.	211/186
D315,459	S	*	3/1991	Young et al.	D6/465
D491,330	S	*	6/2004	Violo	D34/21
D526,104	S	*	8/2006	Van Es	D34/21
D526,105	S	*	8/2006	Van Es	D34/21

1 Claim, 6 Drawing Sheets



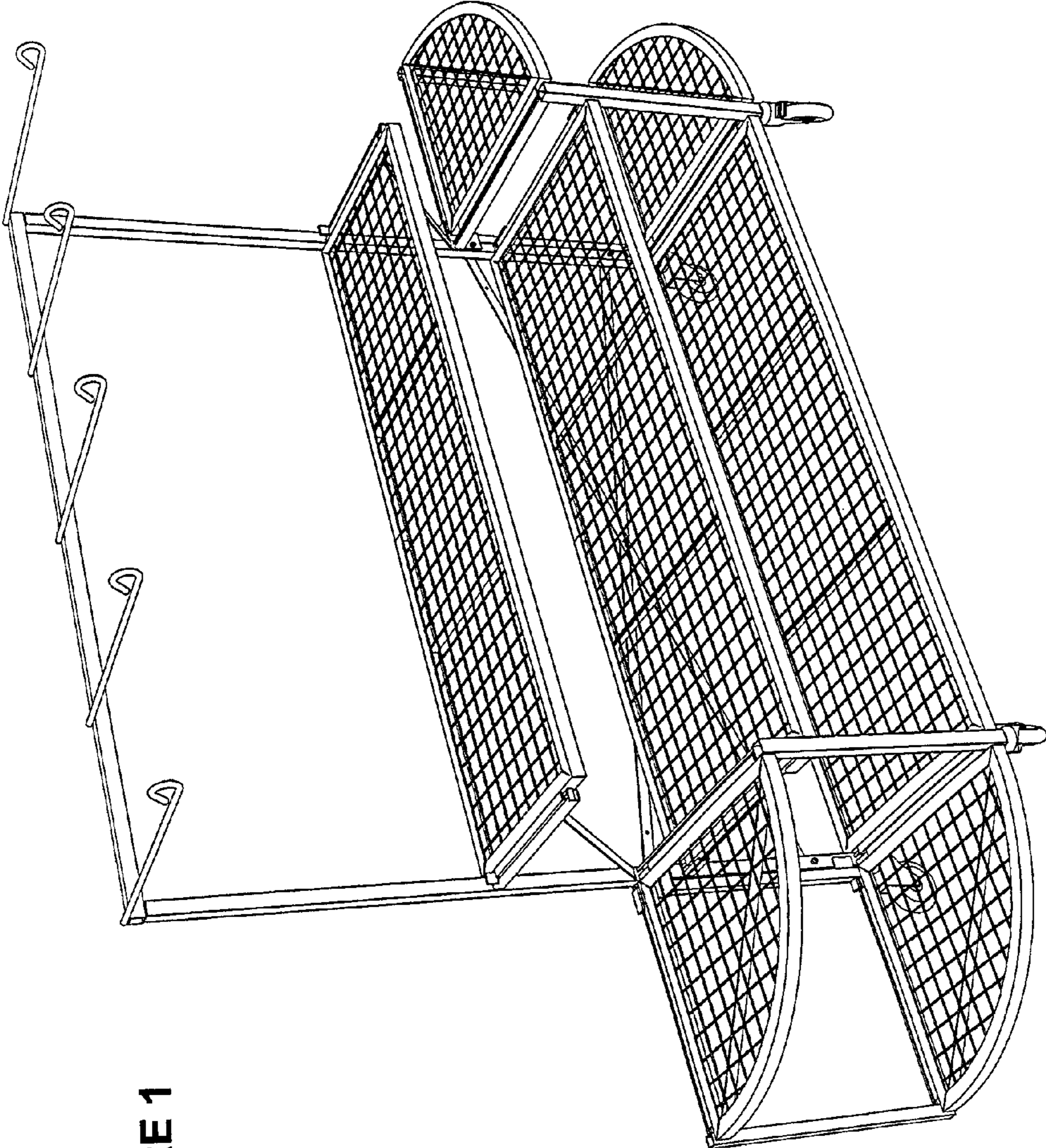


FIGURE 1

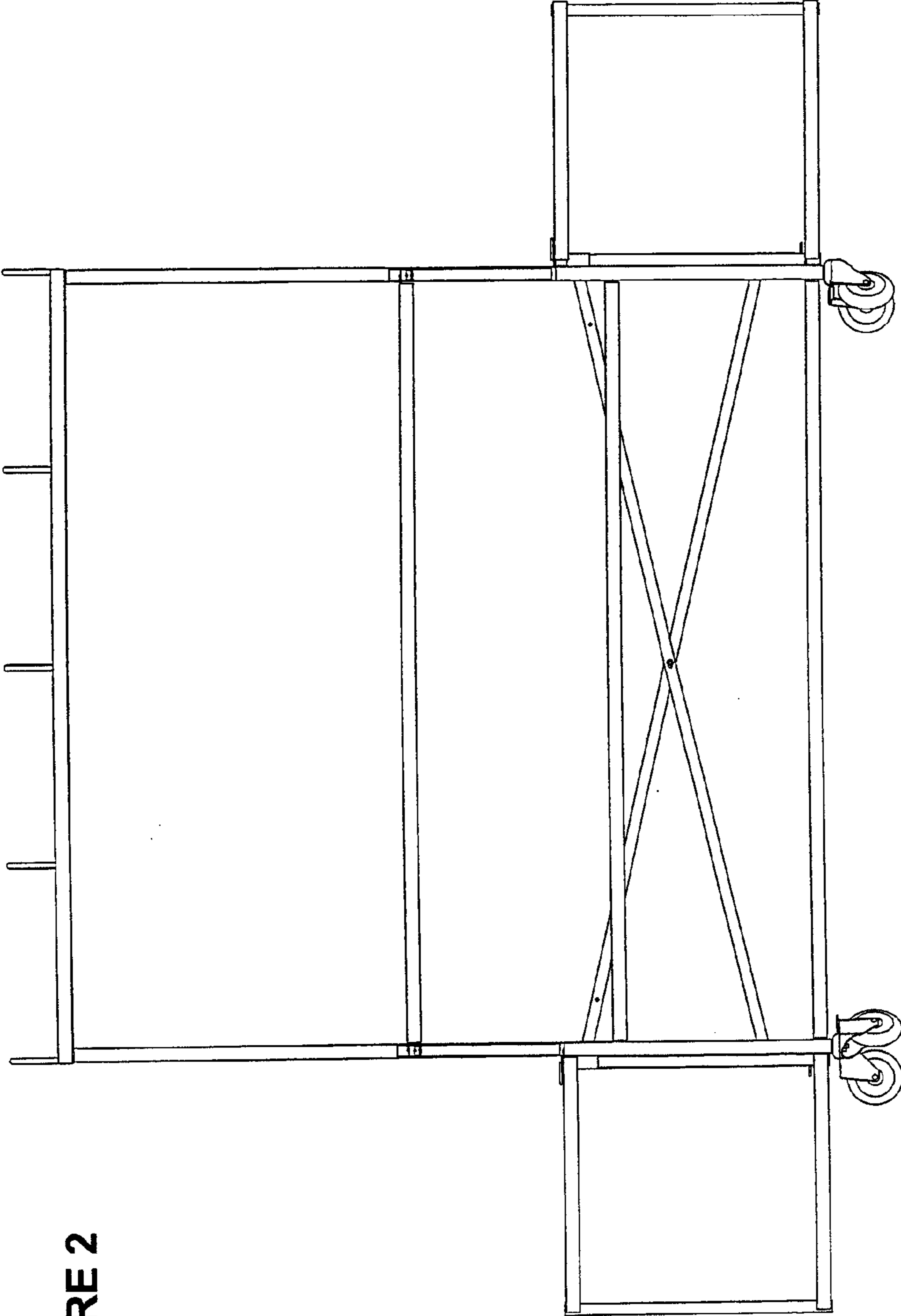


FIGURE 2

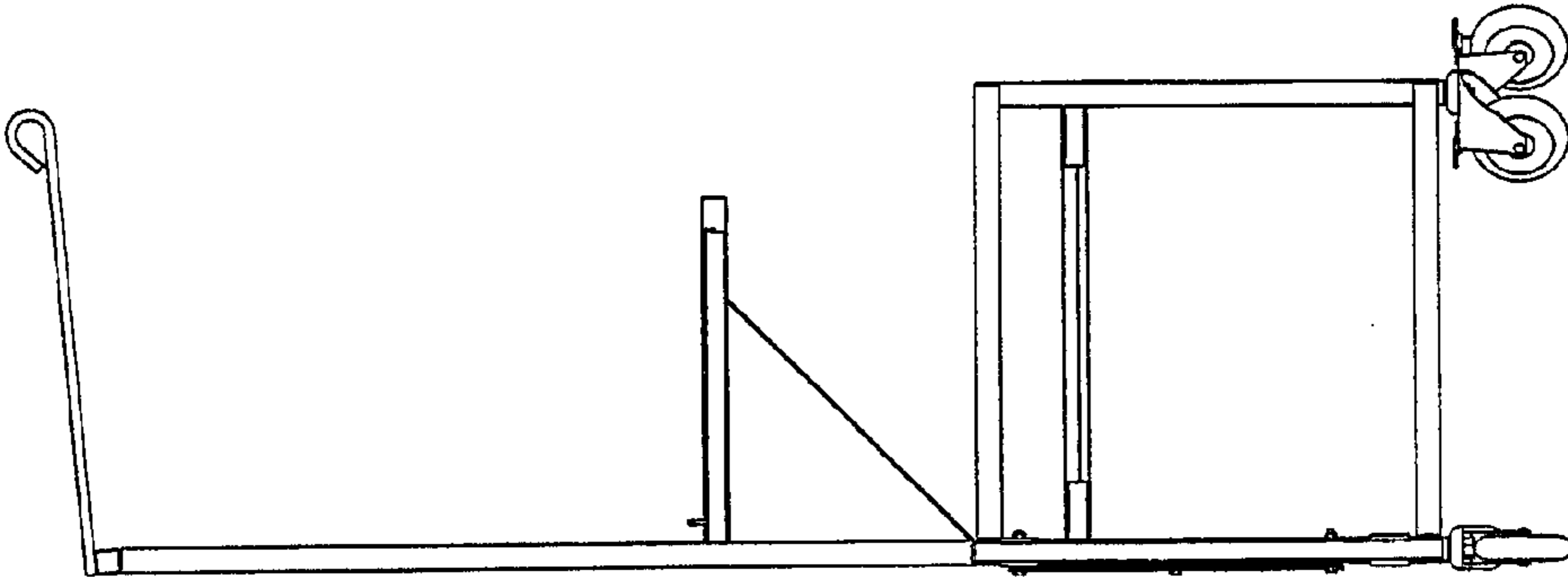


FIGURE 3

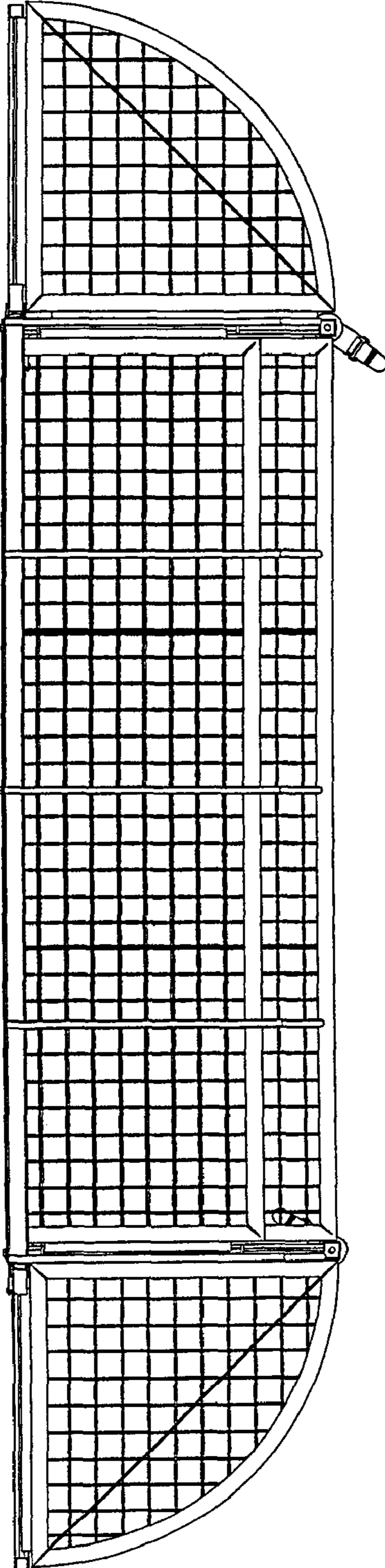


FIGURE 4

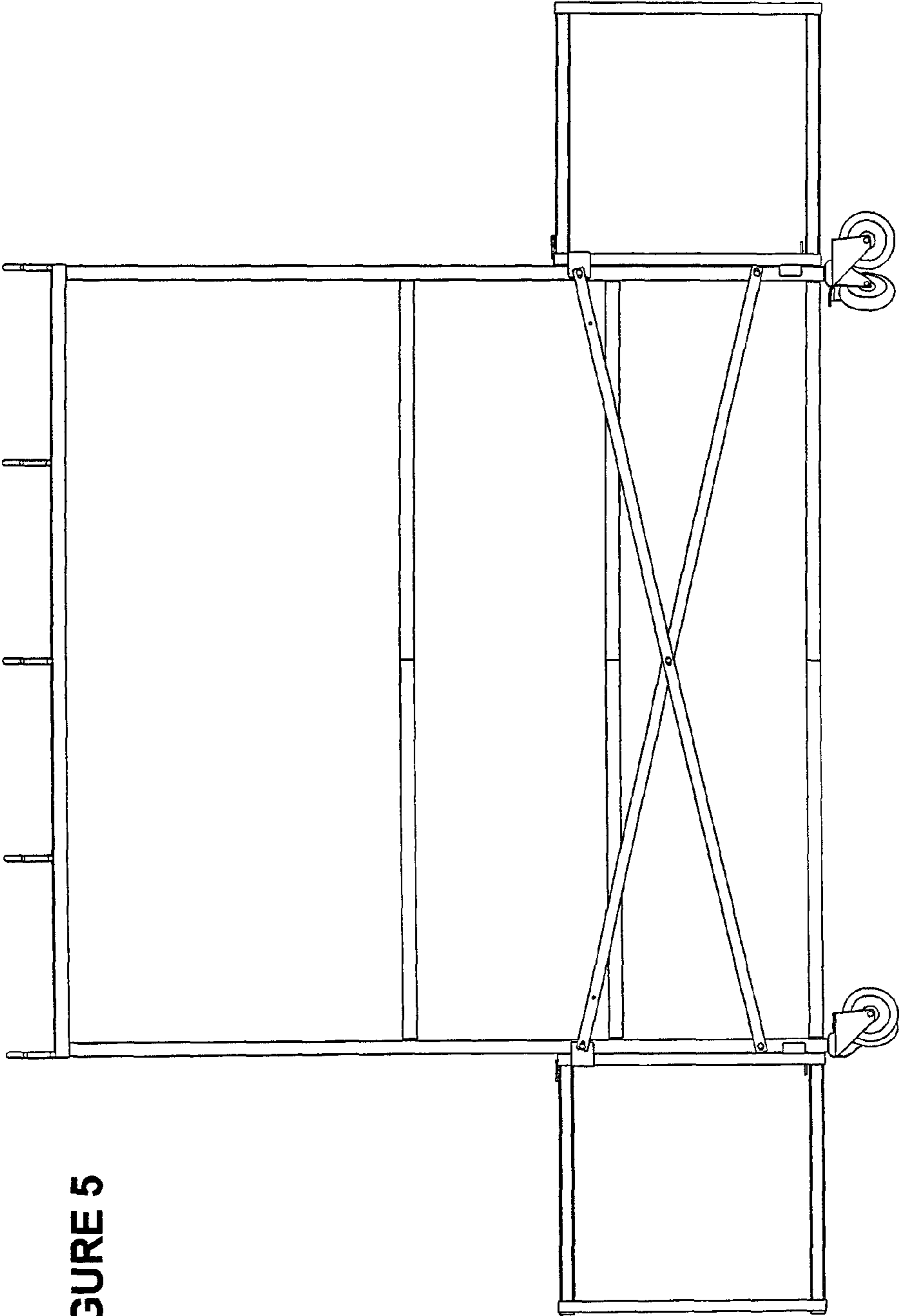


FIGURE 5

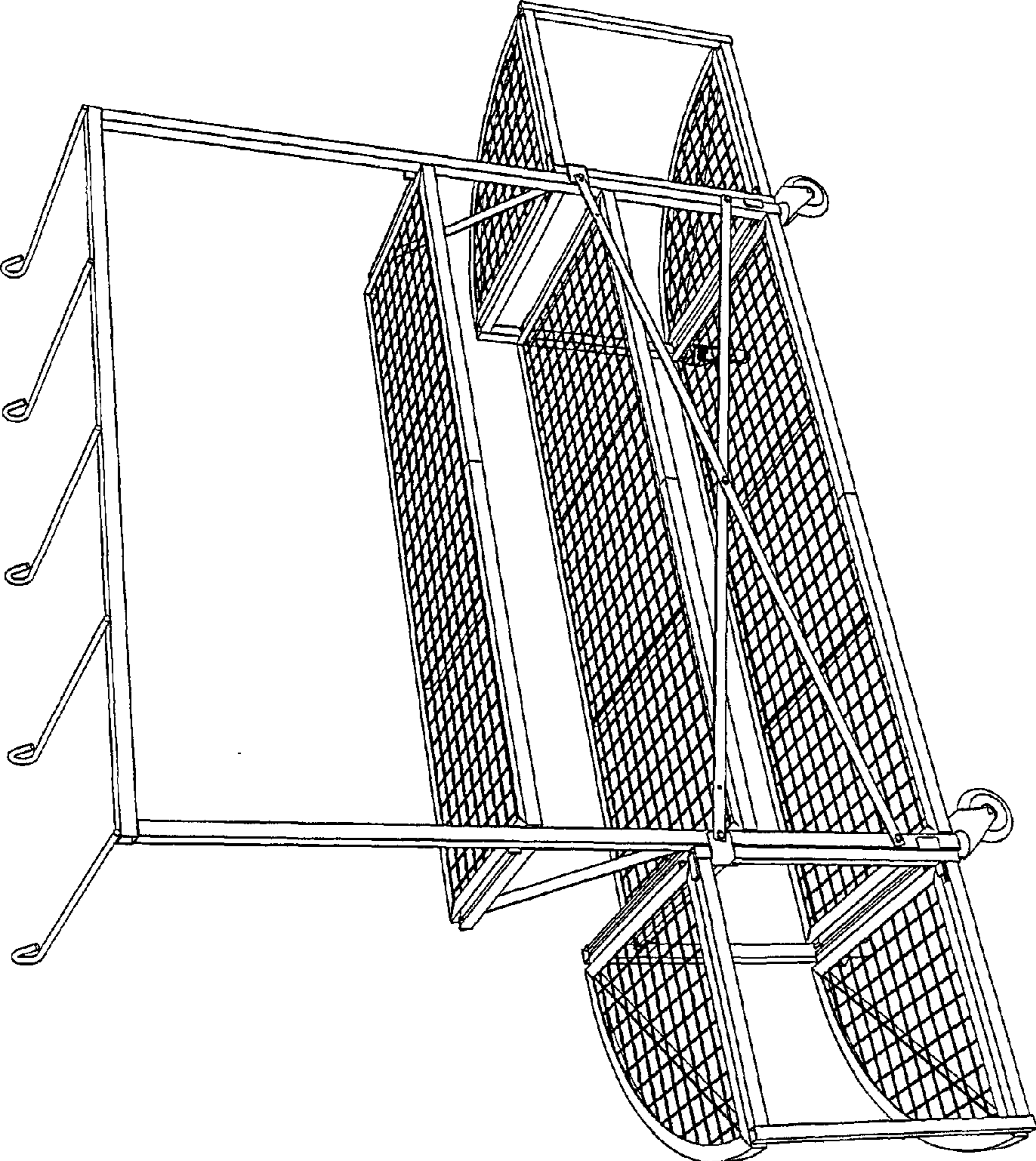


FIGURE 6