



US00D678639S

(12) **United States Design Patent**
Angelo

(10) **Patent No.:** **US D678,639 S**
(45) **Date of Patent:** **** Mar. 19, 2013**

(54) **TRAPEZOID SHAPED BAG STAND**

(76) Inventor: **Dennis Angelo**, Antioch, CA (US)

(**) Term: **14 Years**

(21) Appl. No.: **29/423,609**

(22) Filed: **Jun. 1, 2012**

(51) **LOC (9) Cl.** **09-09**

(52) **U.S. Cl.** **D34/6**

(58) **Field of Classification Search** D34/1,
D34/5, 6; 248/95, 97, 99, 100, 101; 220/908,
220/908.1

See application file for complete search history.

(56) **References Cited**

U.S. PATENT DOCUMENTS

2,363,699	A *	11/1944	Smith	248/97
3,502,291	A	3/1970	Ackerman		
3,659,816	A	5/1972	Wilson		
3,893,648	A	7/1975	Gilbert		
D285,016	S *	8/1986	Claydon	D34/6
4,613,104	A	9/1986	Garrott		
D286,099	S *	10/1986	Risch	D34/6
4,723,741	A	2/1988	Doering		
D341,687	S *	11/1993	Park	D34/5
D358,704	S *	5/1995	Zeisel	D34/5

6,508,443	B1 *	1/2003	Andreasson	248/97
7,032,868	B2 *	4/2006	Mutert	248/99
D610,768	S *	2/2010	Elden Limb	D34/6
D619,316	S *	7/2010	Yang et al.	D32/37
D621,117	S *	8/2010	Picard	D34/6
2005/0077438	A1 *	4/2005	Mutert	248/99

* cited by examiner

Primary Examiner — Cynthia Ramirez

(57) **CLAIM**

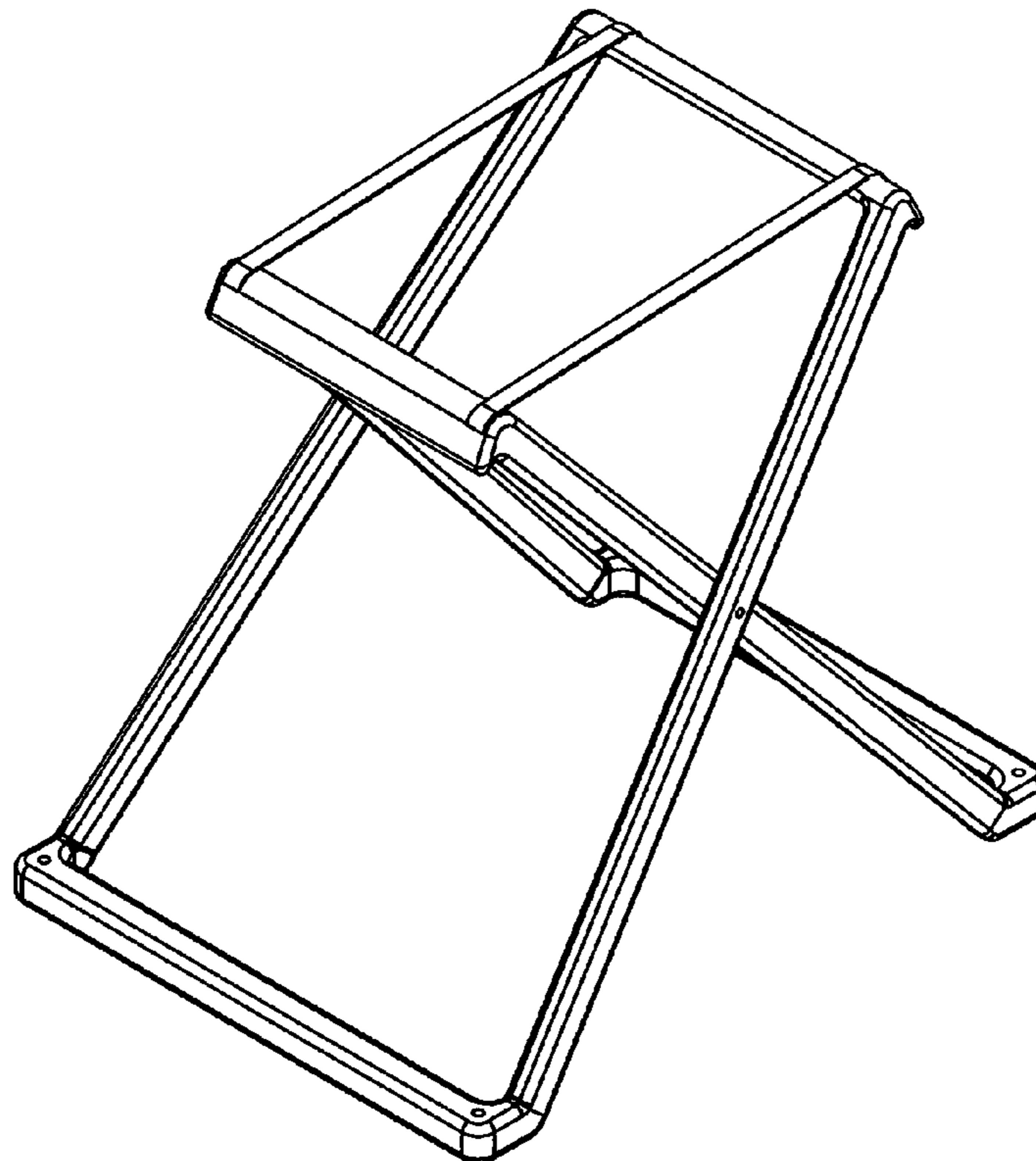
The ornamental design for a trapezoid shaped bag stand, as shown and described.

DESCRIPTION

FIG. 1 is a side/front perspective view of a trapezoid shaped bag stand in an open configuration showing the new design; FIG. 2 is a top plan view thereof; FIG. 3 is a use side elevation view thereof; FIG. 4 is a side/front perspective view of the trapezoid shaped bag stand in a closed configuration; FIG. 5 is a front elevation view thereof; and, FIG. 6 is a bottom elevation view thereof.

The broken lines are included for the purpose of illustrating environmental structure and form no part of the claimed design.

1 Claim, 4 Drawing Sheets



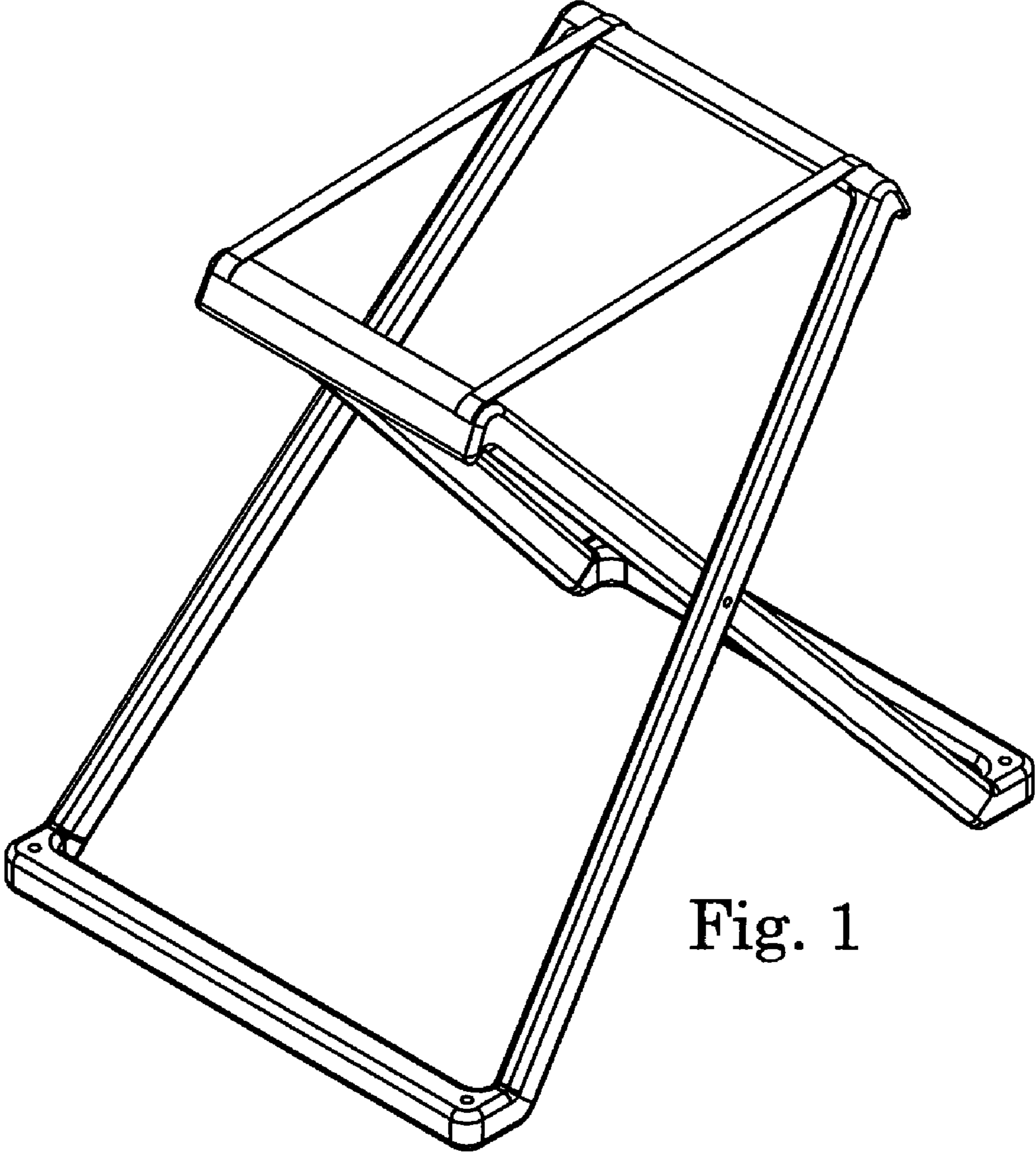


Fig. 1

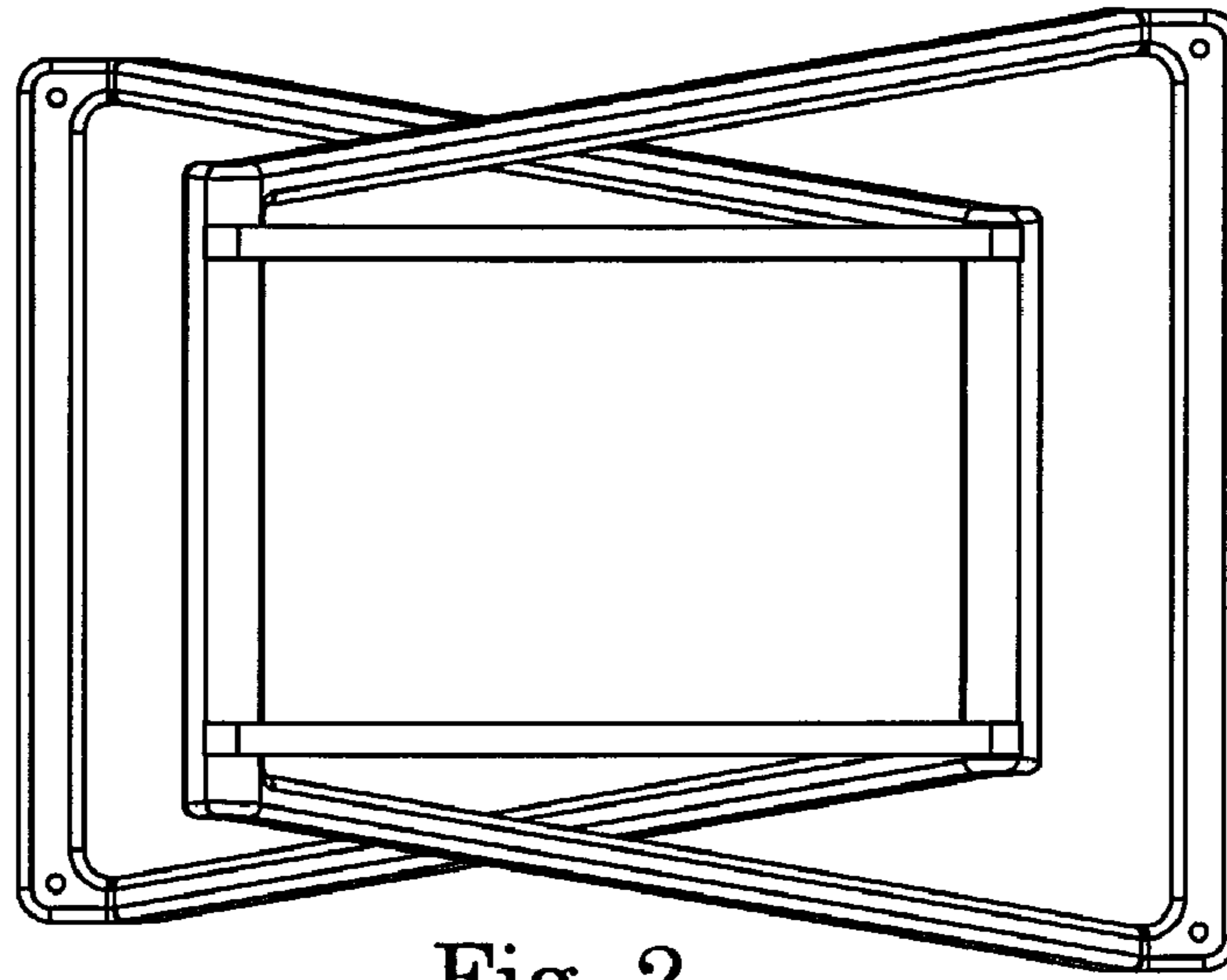


Fig. 2

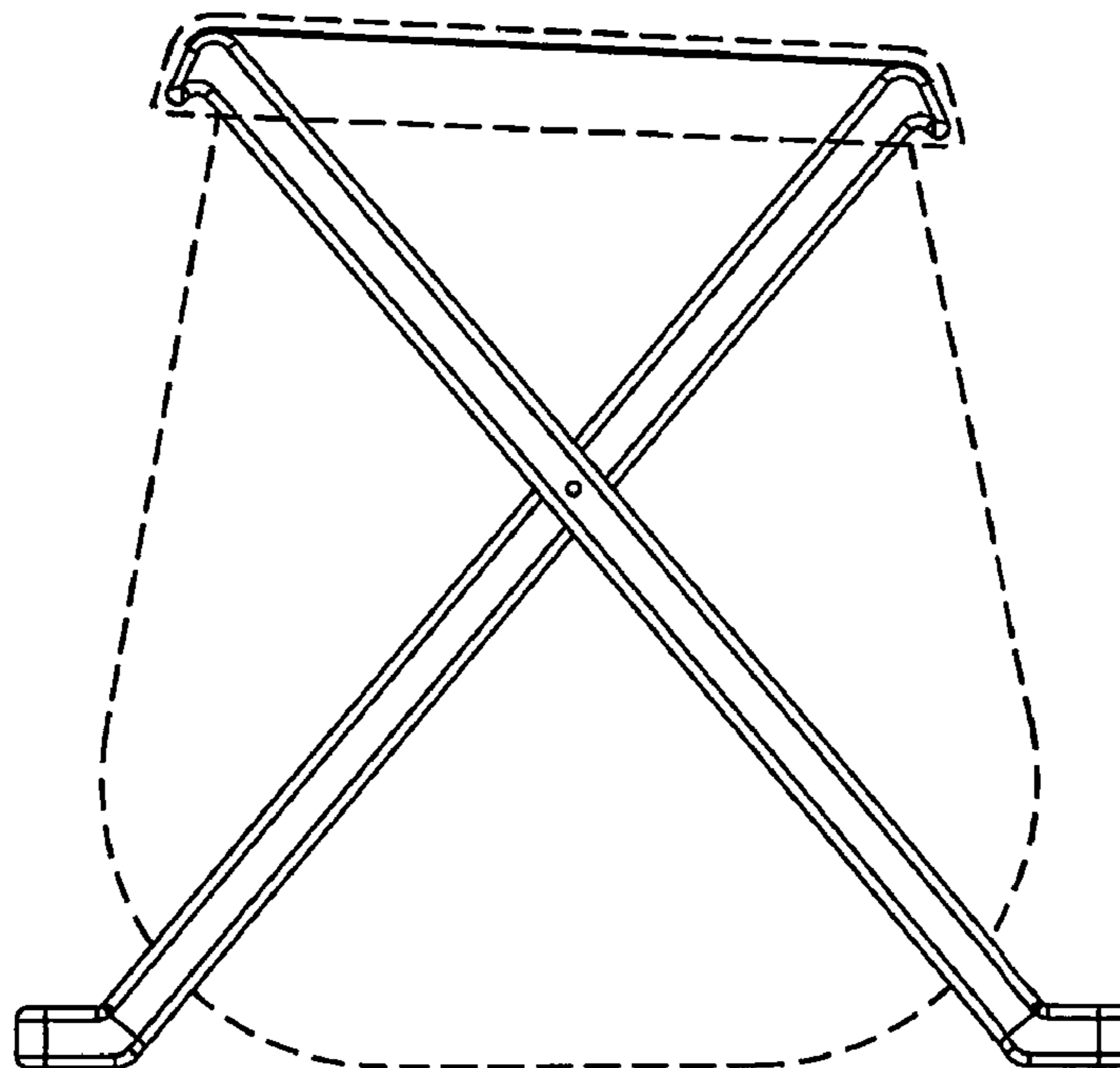


Fig. 3

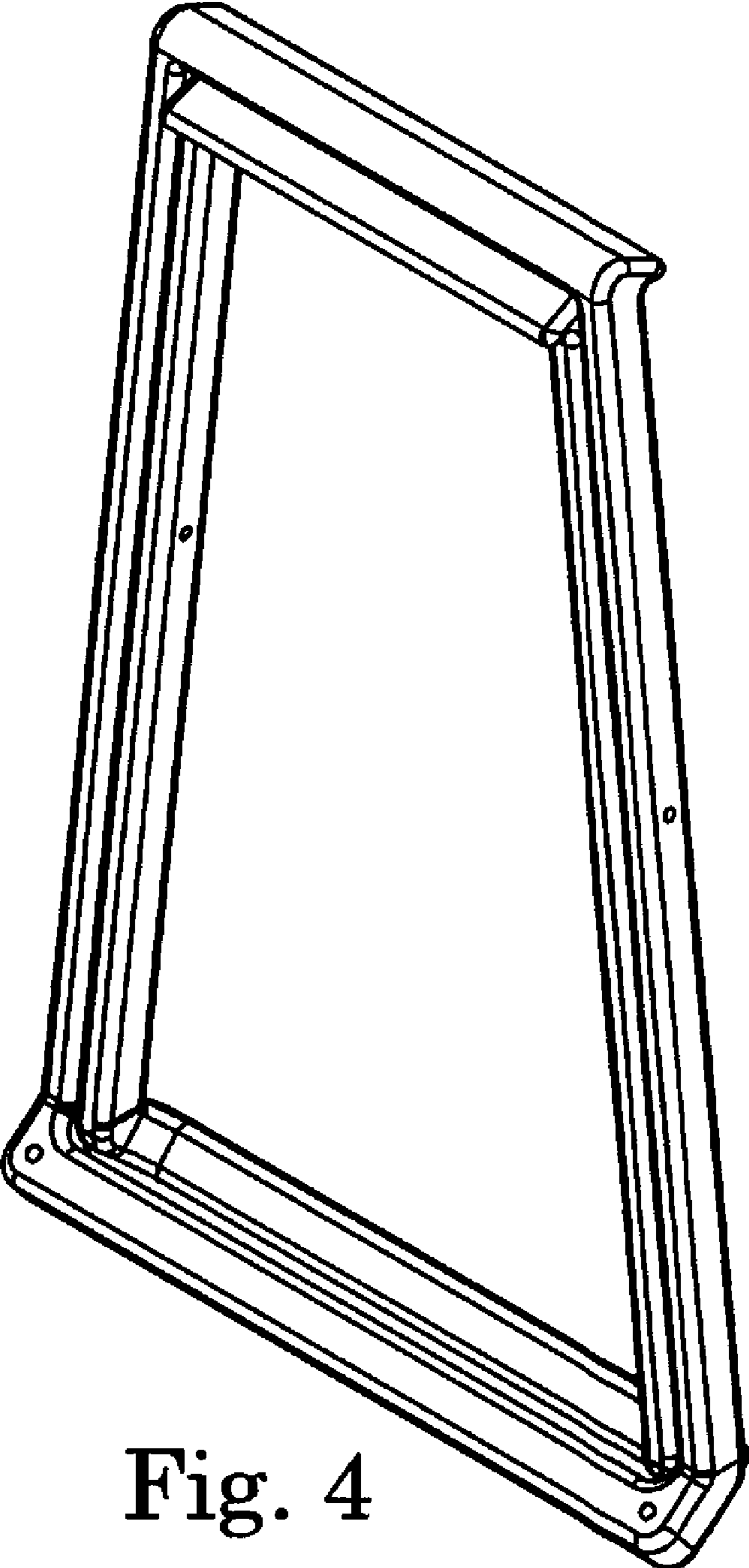


Fig. 4

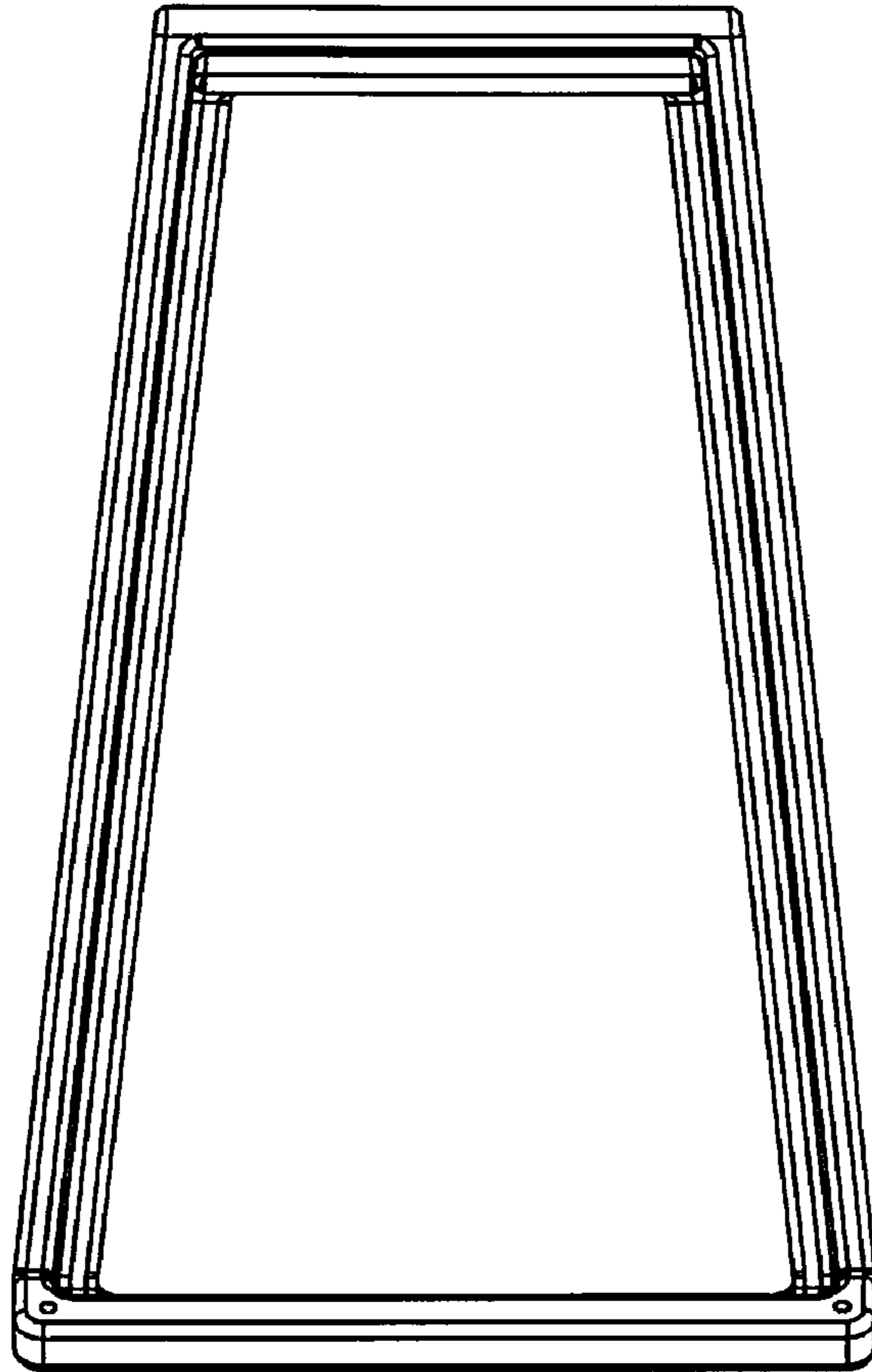


Fig. 5

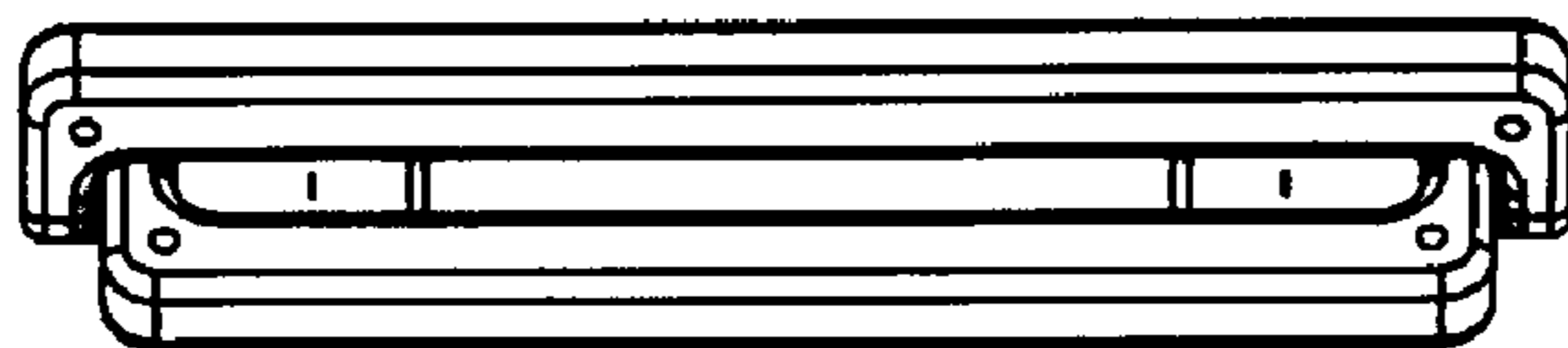


Fig. 6