



US00D678635S

(12) **United States Design Patent**  
**Gammack et al.**

(10) **Patent No.:** **US D678,635 S**  
(45) **Date of Patent:** **\*\* Mar. 19, 2013**

(54) **CLEANER HEAD FOR A VACUUM CLEANER**

(75) Inventors: **Peter David Gammack**, Malmesbury (GB); **Paul Barry Reid**, Malmesbury (GB); **James Martin Coleman**, Malmesbury (GB); **Adam James Bates**, Malmesbury (GB)

(73) Assignee: **Dyson Technology Limited**, Malmesbury (GB)

(\*\*) Term: **14 Years**

(21) Appl. No.: **29/389,582**

(22) Filed: **Apr. 13, 2011**

(30) **Foreign Application Priority Data**

Oct. 14, 2010 (EM) ..... 001768516-0001

(51) **LOC (9) Cl.** ..... **15-05**

(52) **U.S. Cl.** ..... **D32/32**

(58) **Field of Classification Search** ..... D32/31-33, D32/25; 15/329, 337, 338, 415.1, 416-422, 15/422.1, 93.1, 246.2, 322, 350-354, 361-363, 15/366, 378, 400-401, 414, 412, 344  
See application file for complete search history.

(56) **References Cited**

**U.S. PATENT DOCUMENTS**

5,497,532 A \* 3/1996 Glatz ..... 15/401  
5,564,161 A \* 10/1996 Glatz ..... 15/415.1  
D427,737 S \* 7/2000 Dyson et al. .... D32/32  
D449,724 S \* 10/2001 Nighy et al. .... D32/32

D456,967 S \* 5/2002 Santiago ..... D32/32  
D460,231 S \* 7/2002 Bagwell et al. .... D32/32  
D507,854 S \* 7/2005 Kim ..... D32/32  
D511,231 S \* 11/2005 Langham et al. .... D32/33  
D518,932 S \* 4/2006 Maruyama et al. .... D32/32  
D518,933 S \* 4/2006 Courtney ..... D32/32  
D564,720 S \* 3/2008 Dyson et al. .... D32/32  
D565,265 S \* 3/2008 Quance et al. .... D32/32  
D599,515 S \* 9/2009 Davies et al. .... D32/32  
D600,869 S \* 9/2009 Dyson et al. .... D32/32  
D616,164 S \* 5/2010 McLeod et al. .... D32/32  
D643,168 S \* 8/2011 Dyson et al. .... D32/32  
D649,725 S \* 11/2011 Fjellman ..... D32/32  
2009/0320235 A1 \* 12/2009 Lee ..... 15/415.1  
2010/0229339 A1 \* 9/2010 Lambourn ..... 15/415.1  
2010/0306957 A1 \* 12/2010 Follows et al. .... 15/363  
2011/0214252 A1 \* 9/2011 McLeod et al. .... 15/415.1

\* cited by examiner

*Primary Examiner* — Ruth McInroy

(74) *Attorney, Agent, or Firm* — Morrison & Foerster LLP

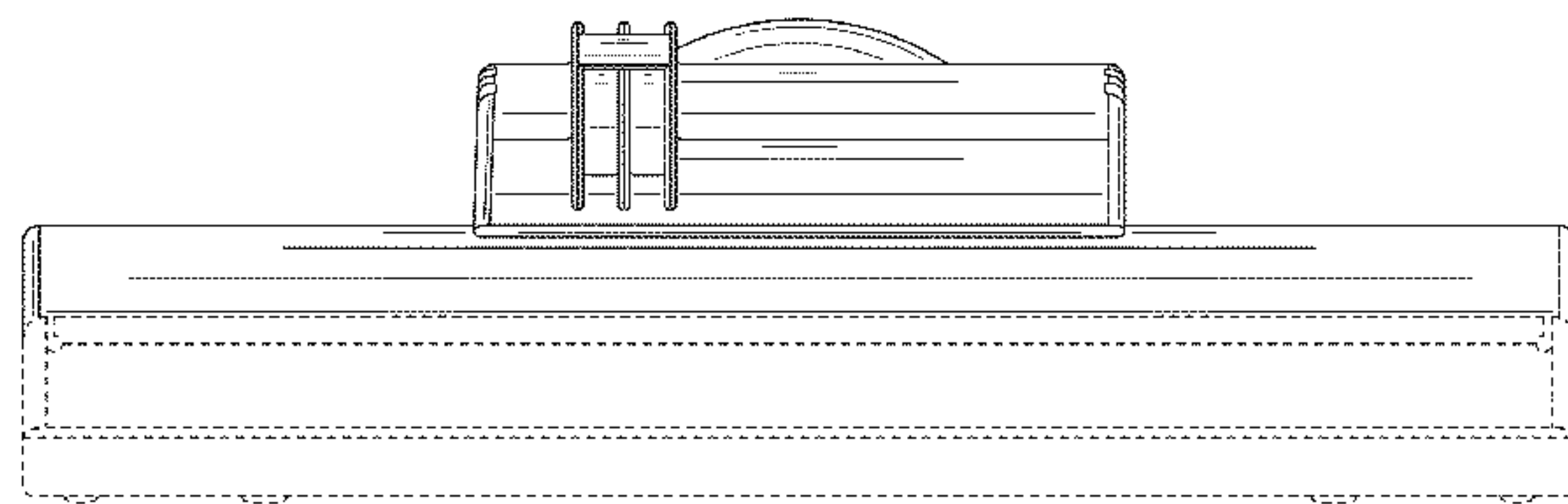
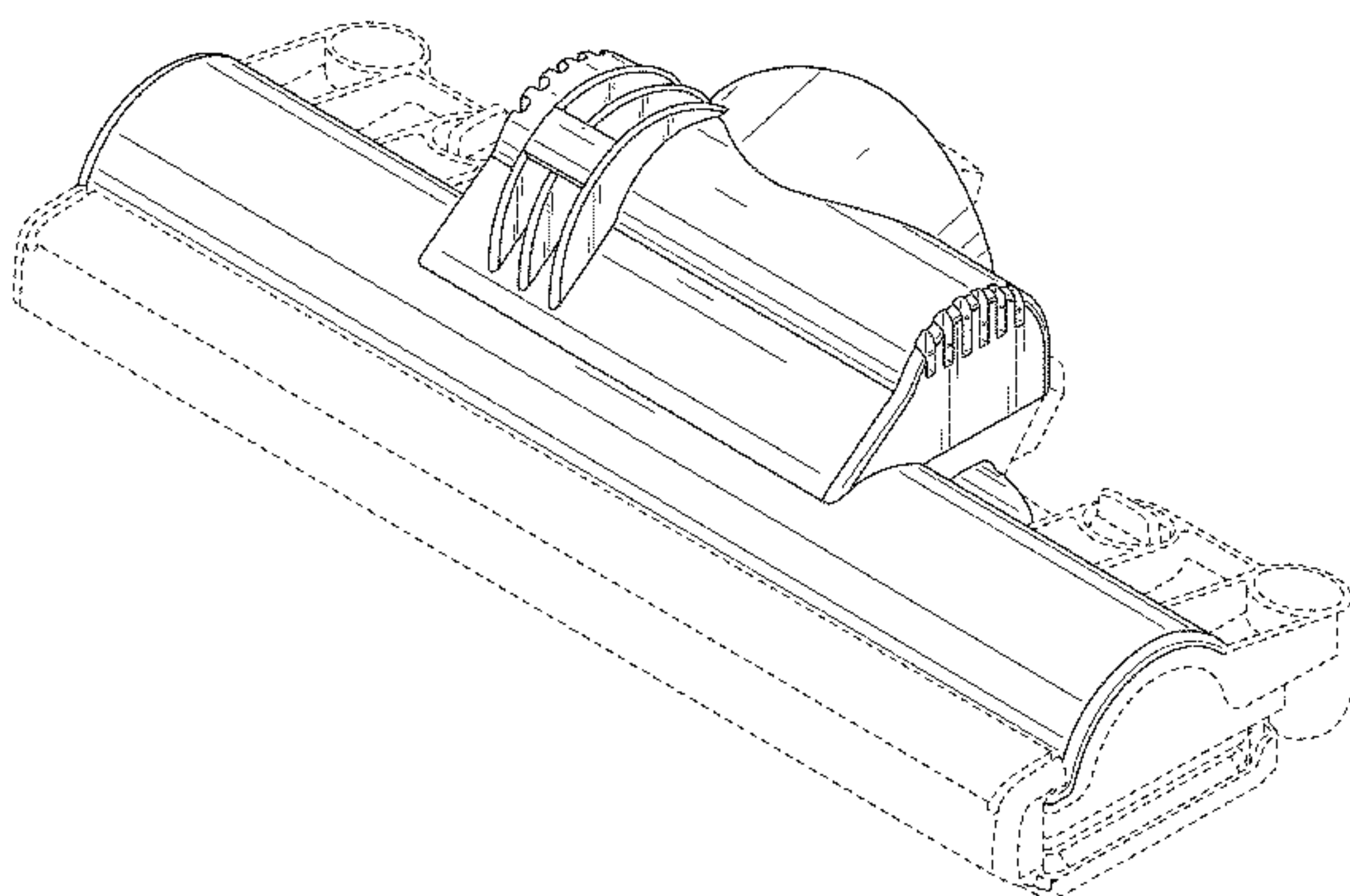
(57) **CLAIM**

We claim the ornamental design for a cleaner head for a vacuum cleaner, as shown and described.

**DESCRIPTION**

FIG. 1 is a perspective view of a cleaner head for a vacuum cleaner showing our new design;  
FIG. 2 is a front view thereof;  
FIG. 3 is a rear view thereof;  
FIG. 4 is a side view thereof;  
FIG. 5 is a side view from the side opposite that of FIG. 4; and,  
FIG. 6 is a plan view thereof from above.

**1 Claim, 4 Drawing Sheets**



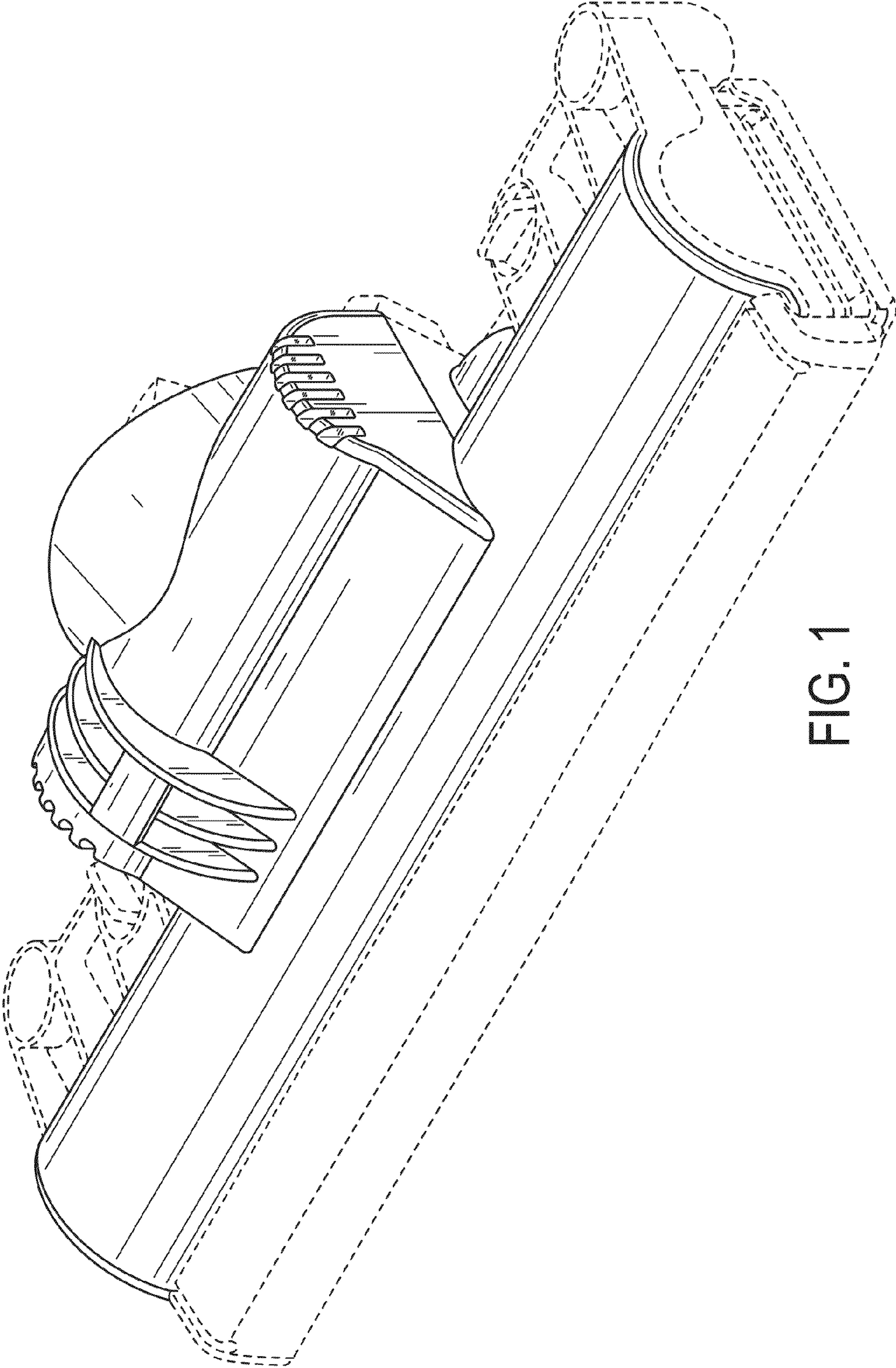


FIG. 1



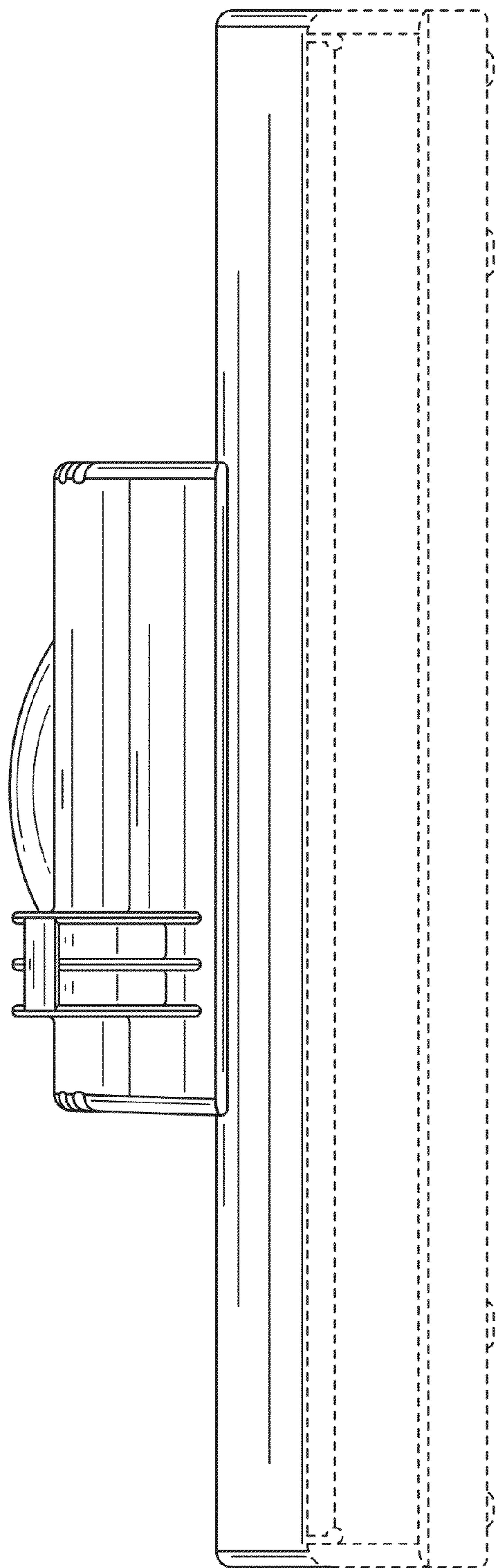


FIG. 2

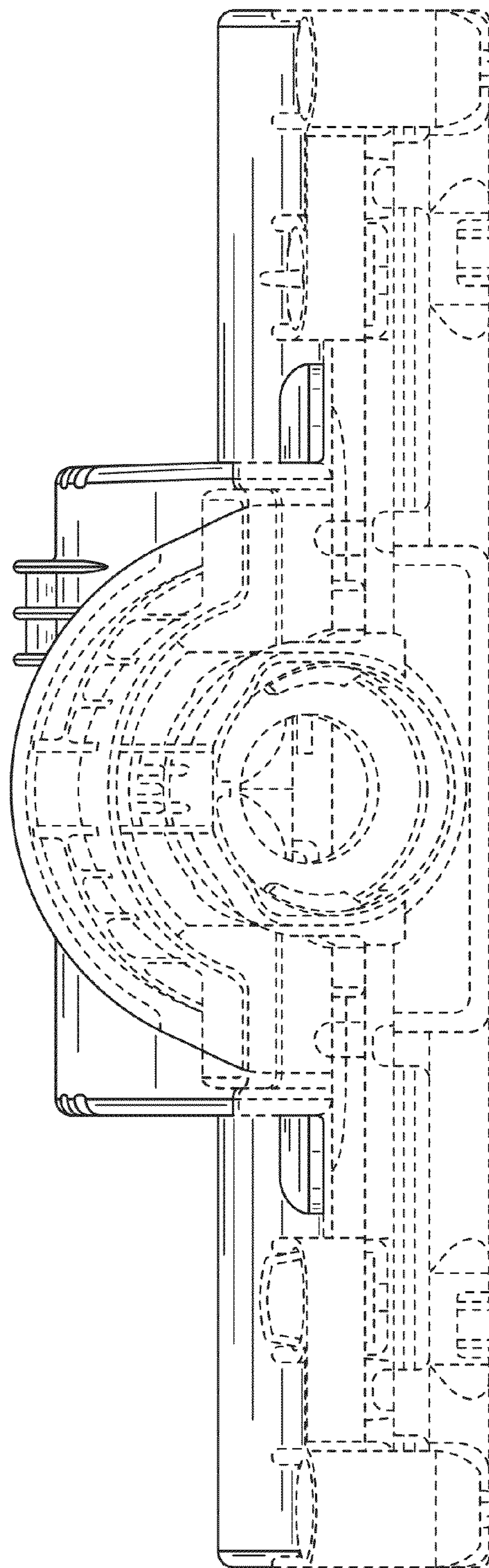


FIG. 3

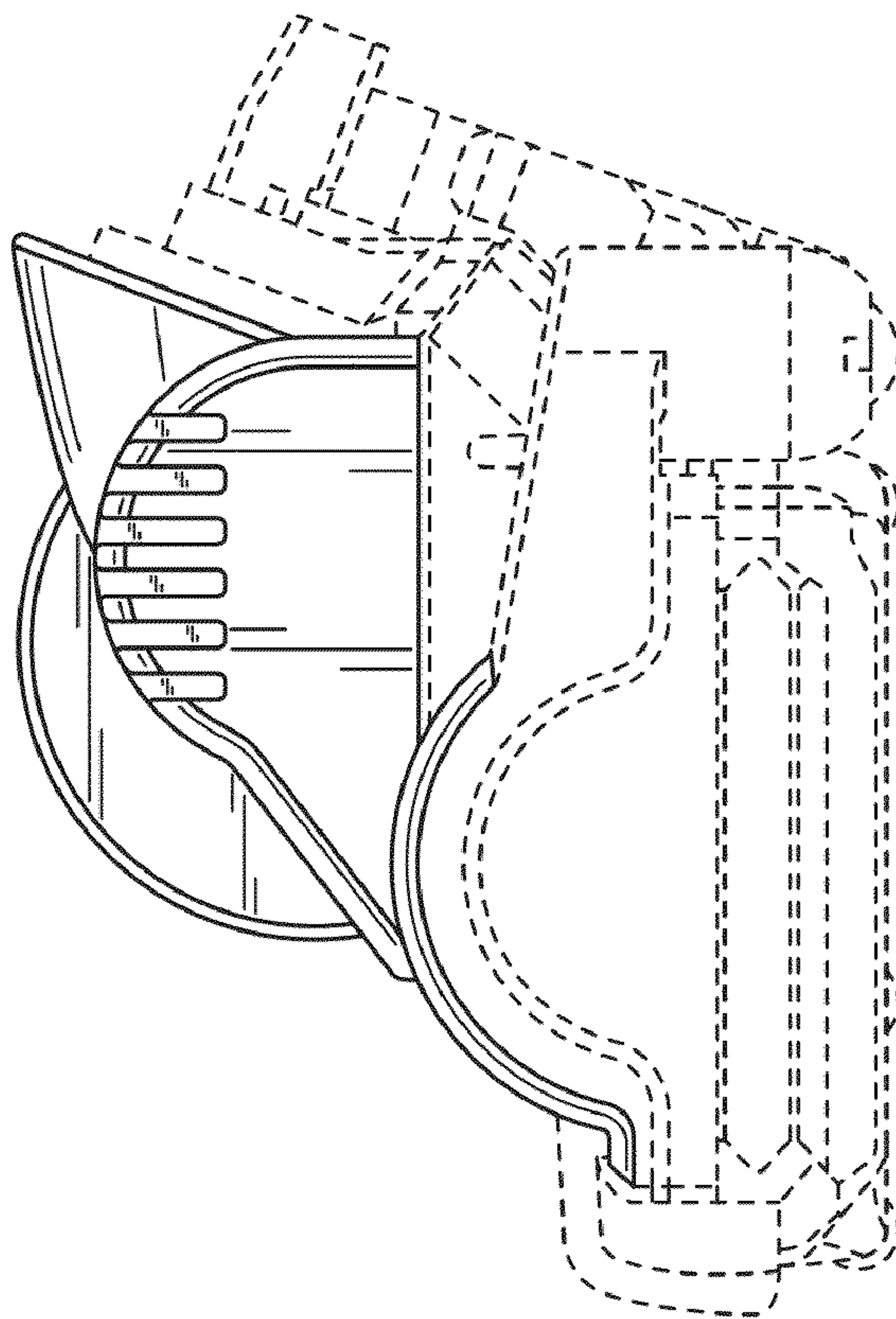


FIG. 4

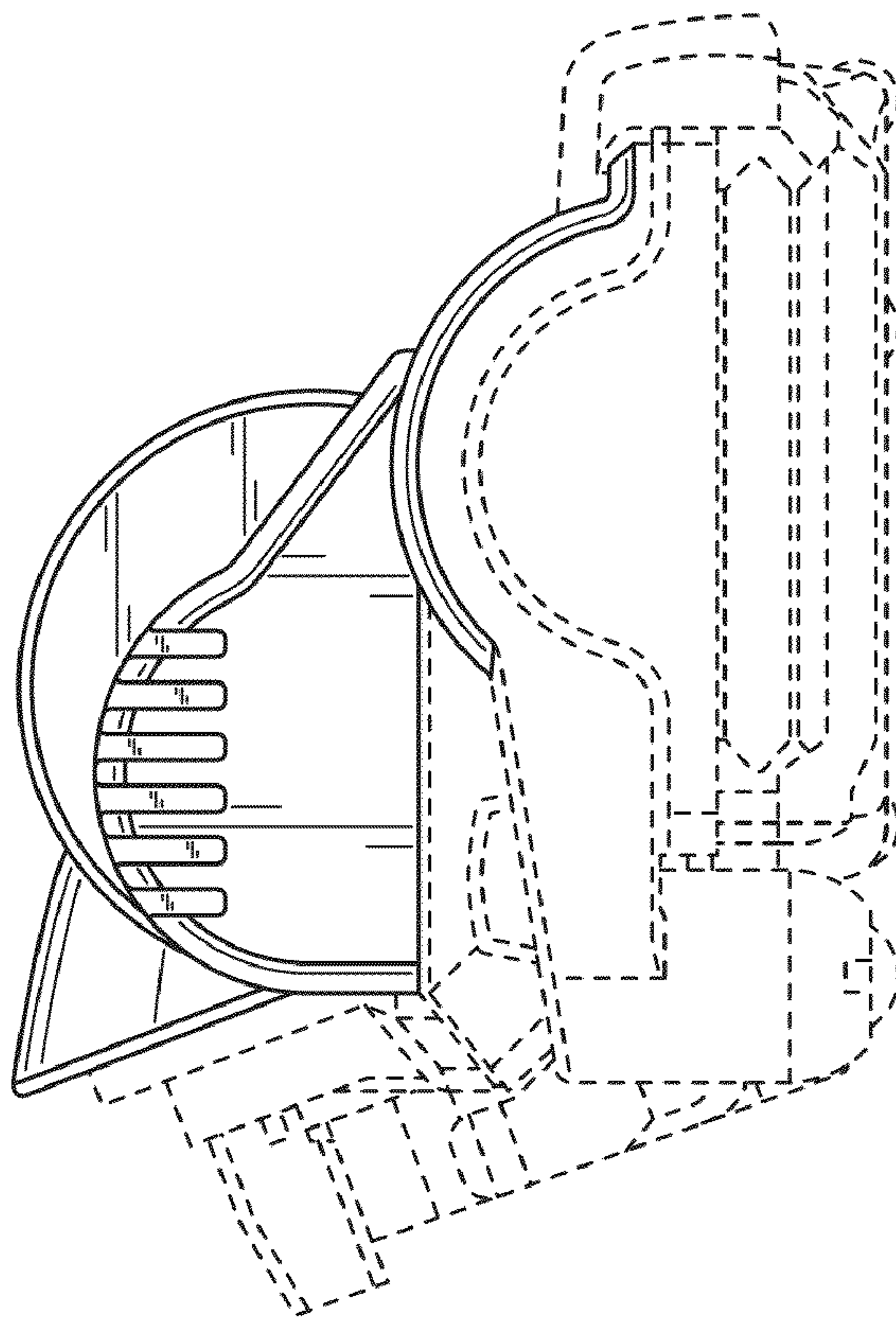


FIG. 5

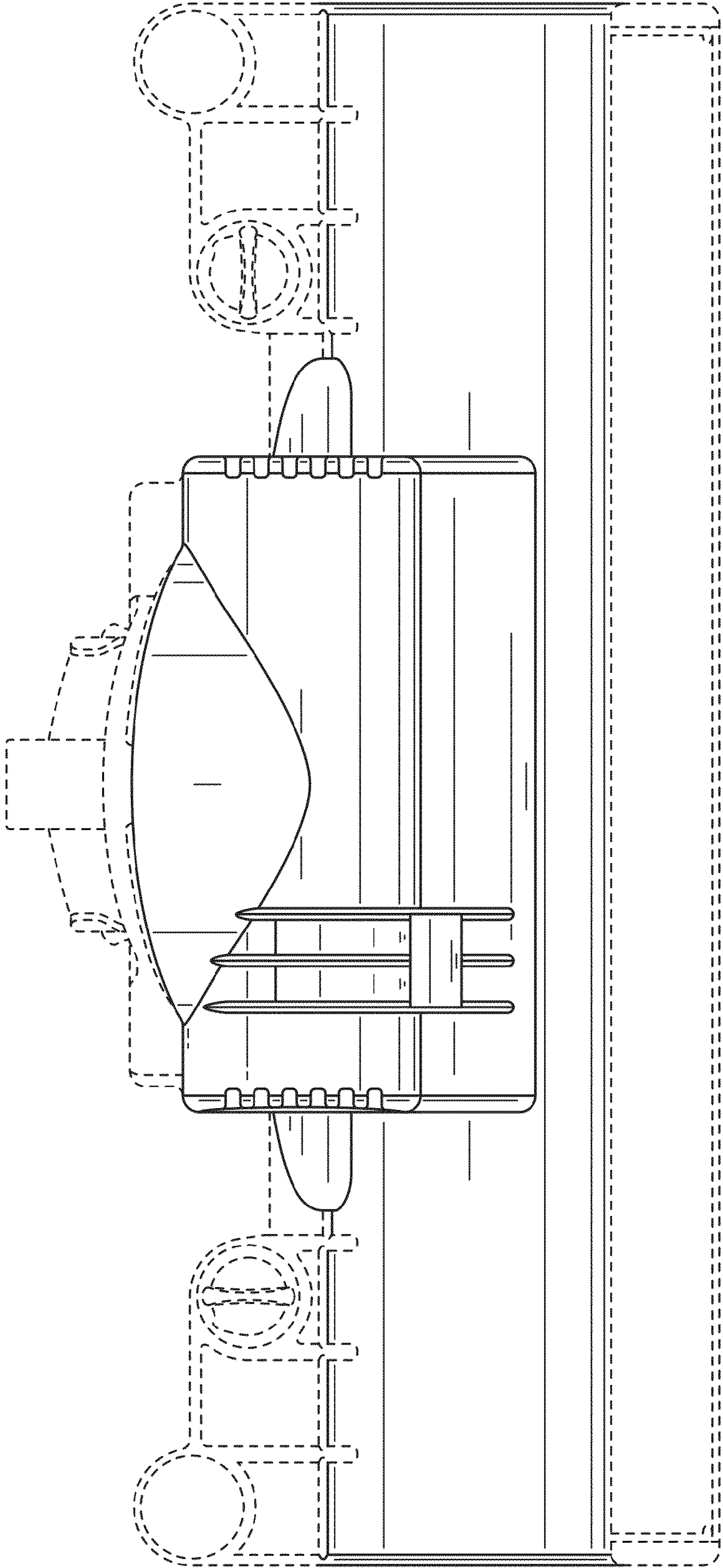


FIG. 6