



US00D678634S

(12) **United States Design Patent**
Liao

(10) **Patent No.:** **US D678,634 S**
(45) **Date of Patent:** **** Mar. 19, 2013**

(54) **CLEANER**

(76) Inventor: **Ying-Chieh Liao**, Taichung (TW)

(**) Term: **14 Years**

(21) Appl. No.: **29/400,958**

(22) Filed: **Sep. 2, 2011**

Related U.S. Application Data

(63) Continuation-in-part of application No. 12/234,676, filed on Sep. 21, 2008, now abandoned.

(51) **LOC (9) Cl.** **15-05**

(52) **U.S. Cl.** **D32/1**

(58) **Field of Classification Search** D32/1,
D32/25; 134/6, 56 R, 57 R, 103.1, 104.4,
134/109-111, 115 R, 174, 198, 200; 15/21.1;
239/302, 308

See application file for complete search history.

(56) **References Cited**

U.S. PATENT DOCUMENTS

2,653,617	A *	9/1953	Zaber	134/56 R
3,320,963	A *	5/1967	Walker	134/57 R
4,051,858	A *	10/1977	Mele	134/56 R
4,462,415	A	7/1984	Otzen		
D306,223	S *	2/1990	Muirhead et al.	D32/1
4,995,409	A *	2/1991	Watts	134/58 R
5,137,156	A	8/1992	Riczinger et al.		
5,301,376	A *	4/1994	Herbert	4/626
5,398,708	A	3/1995	Sheldon		
D414,904	S *	10/1999	Knowlton	D32/1
6,161,228	A	12/2000	Wietecha		
6,427,259	B1 *	8/2002	Cawthon	4/650

6,836,910	B2 *	1/2005	Cawthon	4/650
7,954,183	B2 *	6/2011	Cawthon	4/650
2012/0067369	A1 *	3/2012	Currell et al.	134/6

* cited by examiner

Primary Examiner — T. Chase Nelson

Assistant Examiner — Kathleen M Sims

(74) *Attorney, Agent, or Firm* — Muncy, Geissler, Olds & Lowe, PLLC

(57) **CLAIM**

I claim the ornamental design for a cleaner, as shown and described.

DESCRIPTION

FIG. 1 is a right, front perspective view of the cleaner showing my new design;

FIG. 2 is a front view with the top open thereof;

FIG. 3 is a rear view with the top open thereof;

FIG. 4 is a left view thereof;

FIG. 5 is a right view thereof;

FIG. 6 is a top plan view thereof;

FIG. 7 is a bottom plan view thereof;

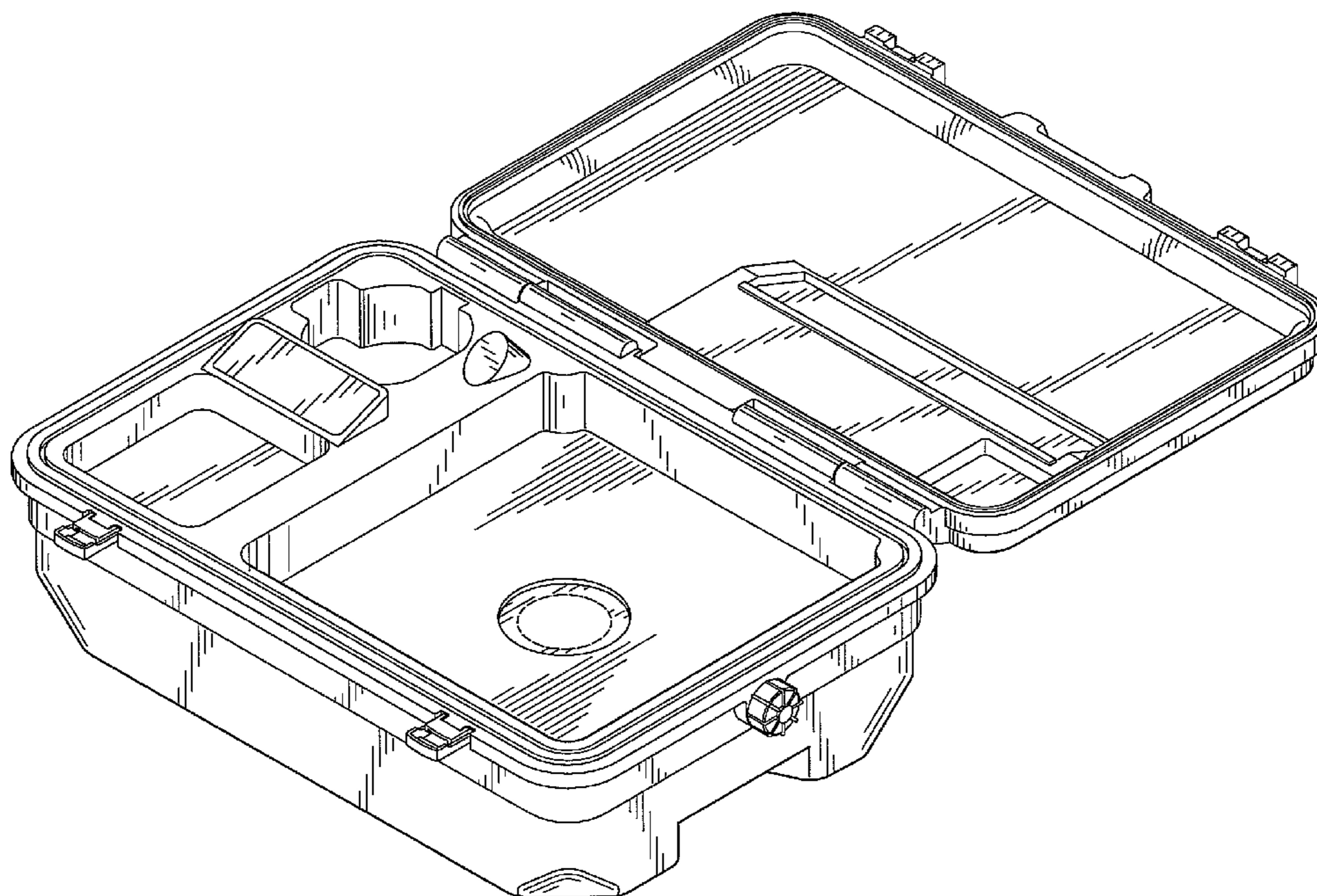
FIG. 8 is a right, front perspective view of the cleaner in a closed configuration; and,

FIG. 9 is a left, rear perspective view of the cleaner in an open configuration.

The holes in FIG. 1, FIG. 6 and FIG. 9 shown in broken lines are for the purposes of illustration only and form no part of the claimed design.

The broken line showing of details in FIGS. 1, 3, 6, 7 and 9 is included for the purpose of showing environmental portions of the cleaner and forms no part of the claimed design.

1 Claim, 7 Drawing Sheets



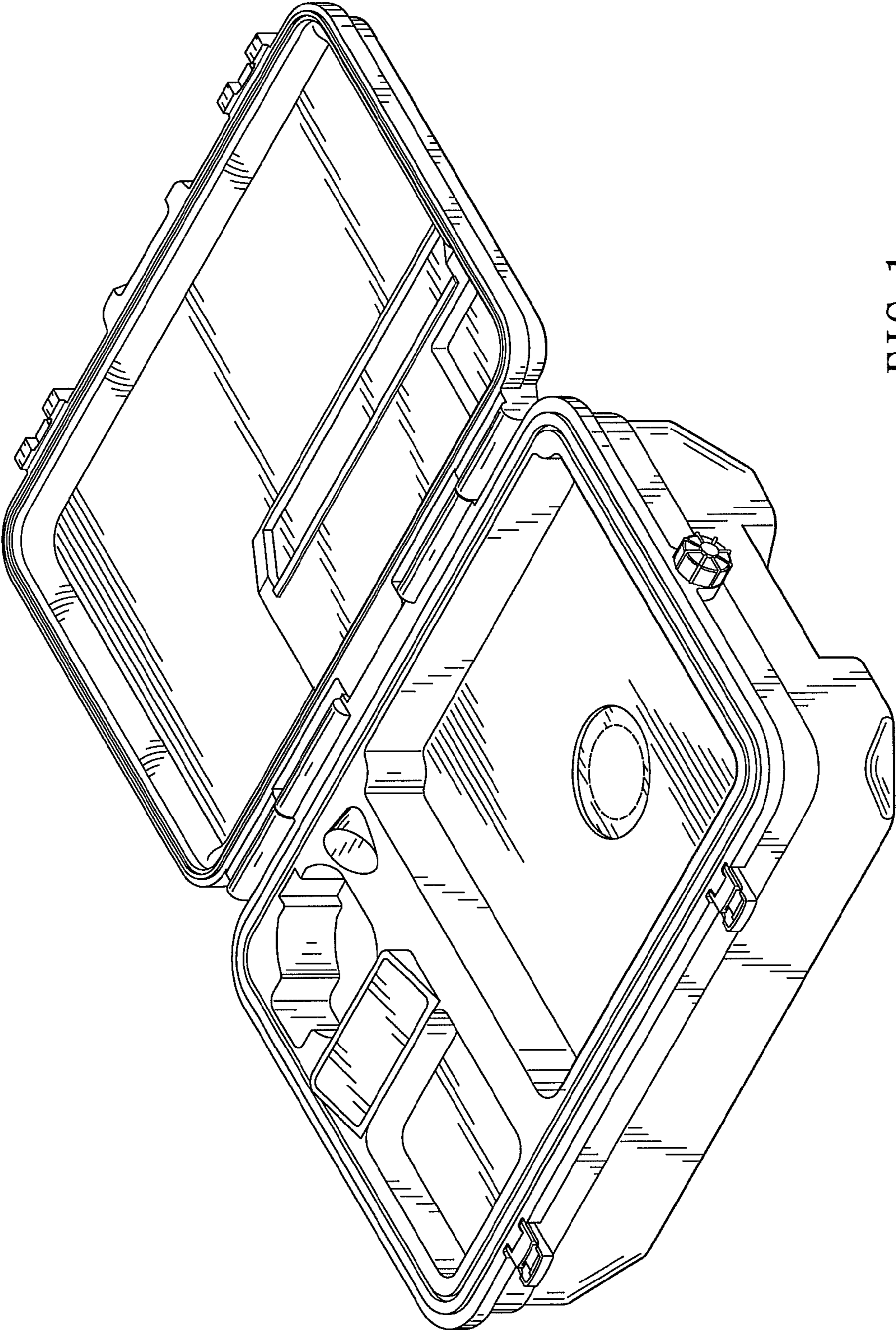


FIG. 1

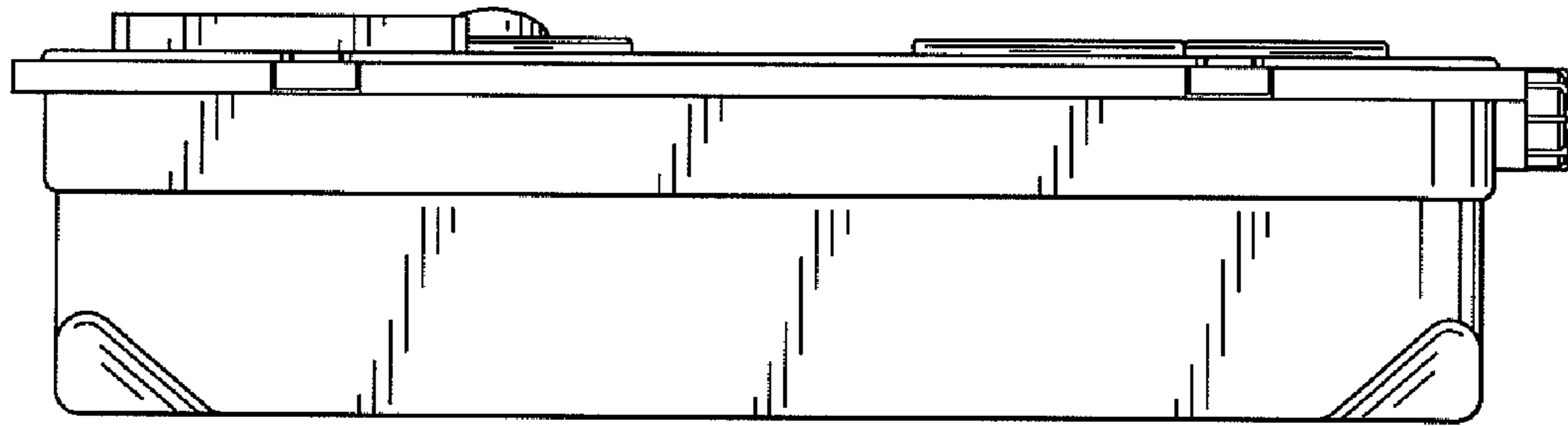


FIG. 2

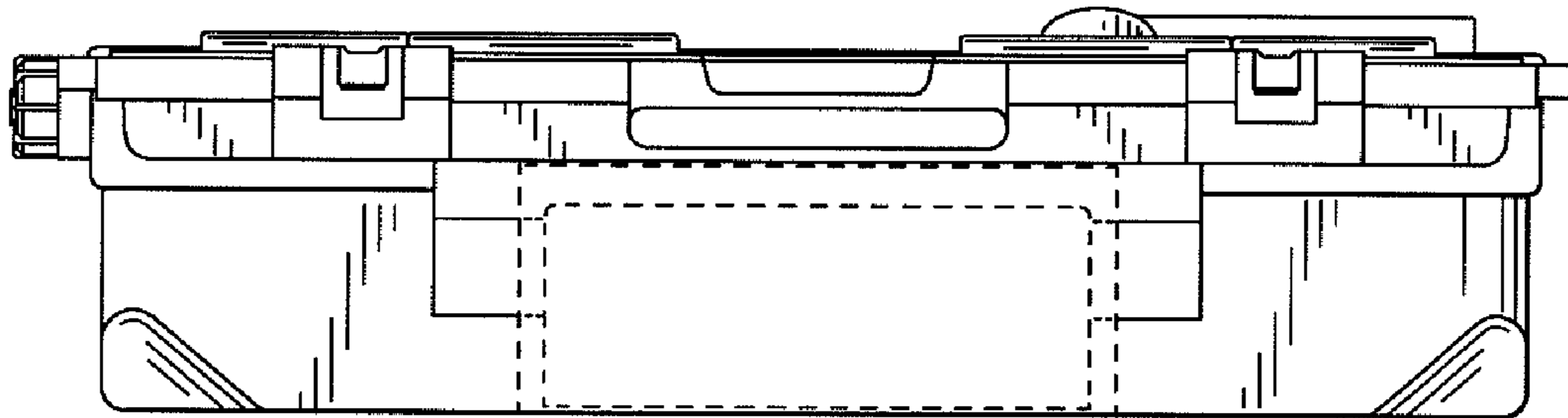


FIG. 3

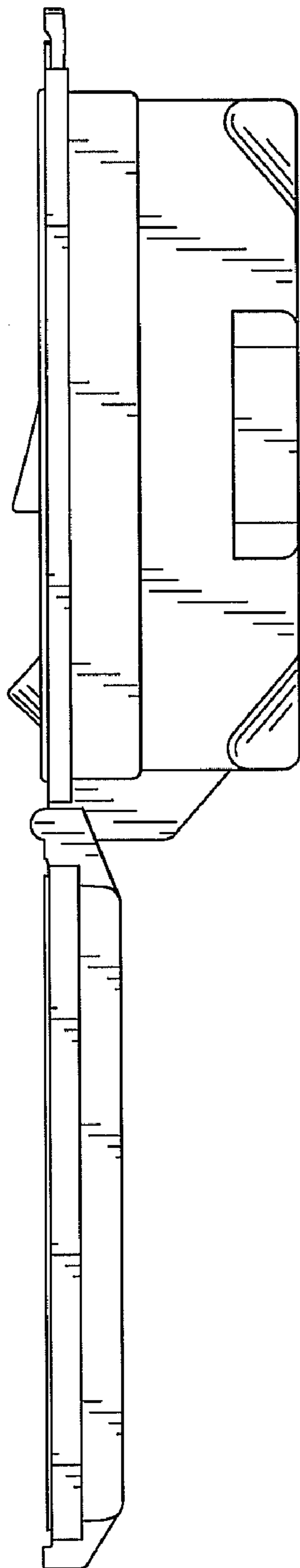


FIG. 4

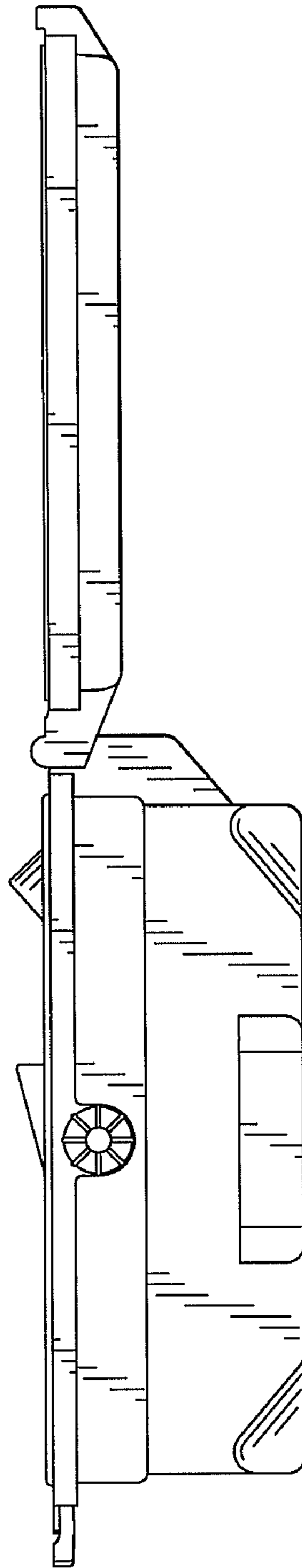


FIG. 5

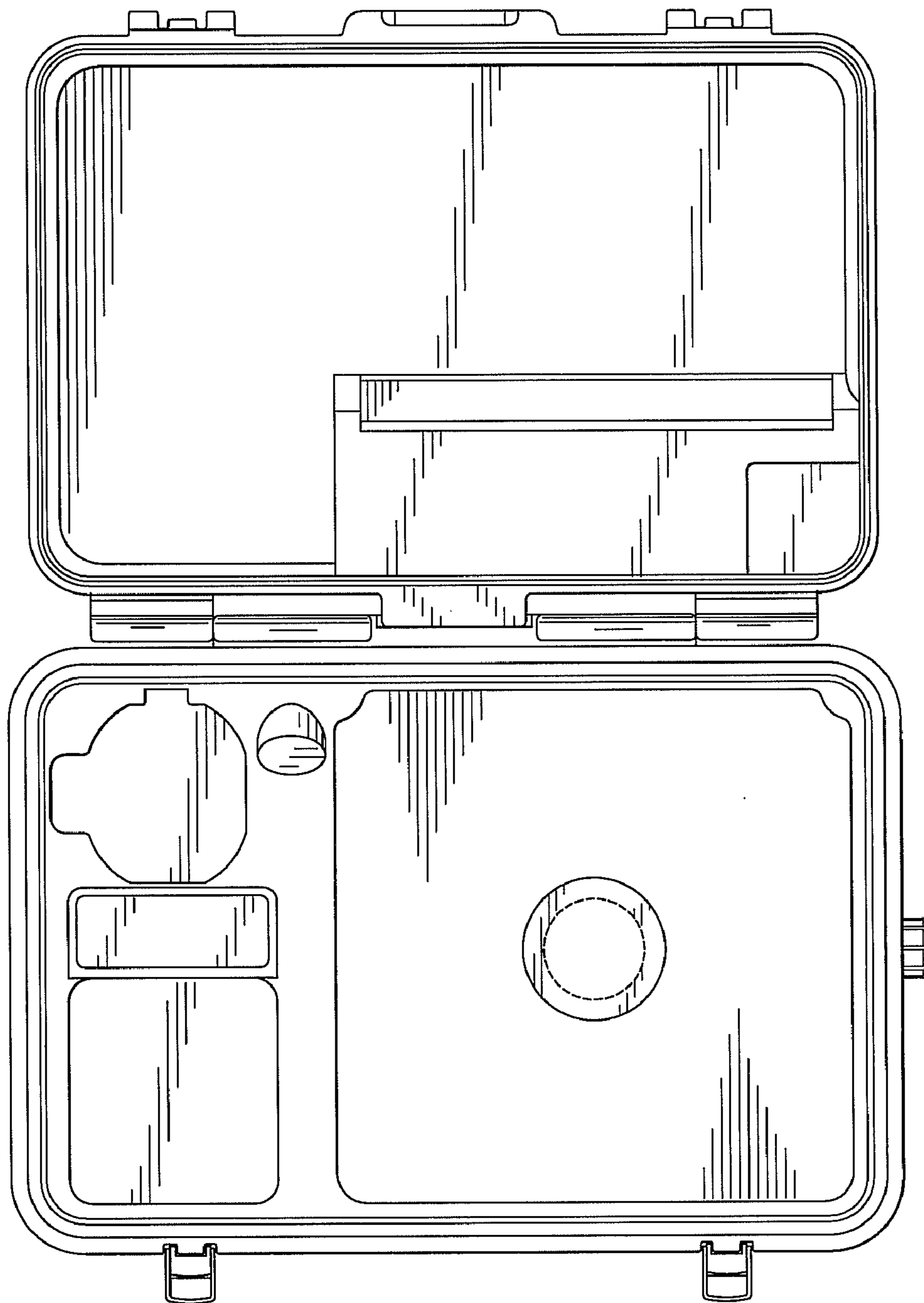


FIG. 6

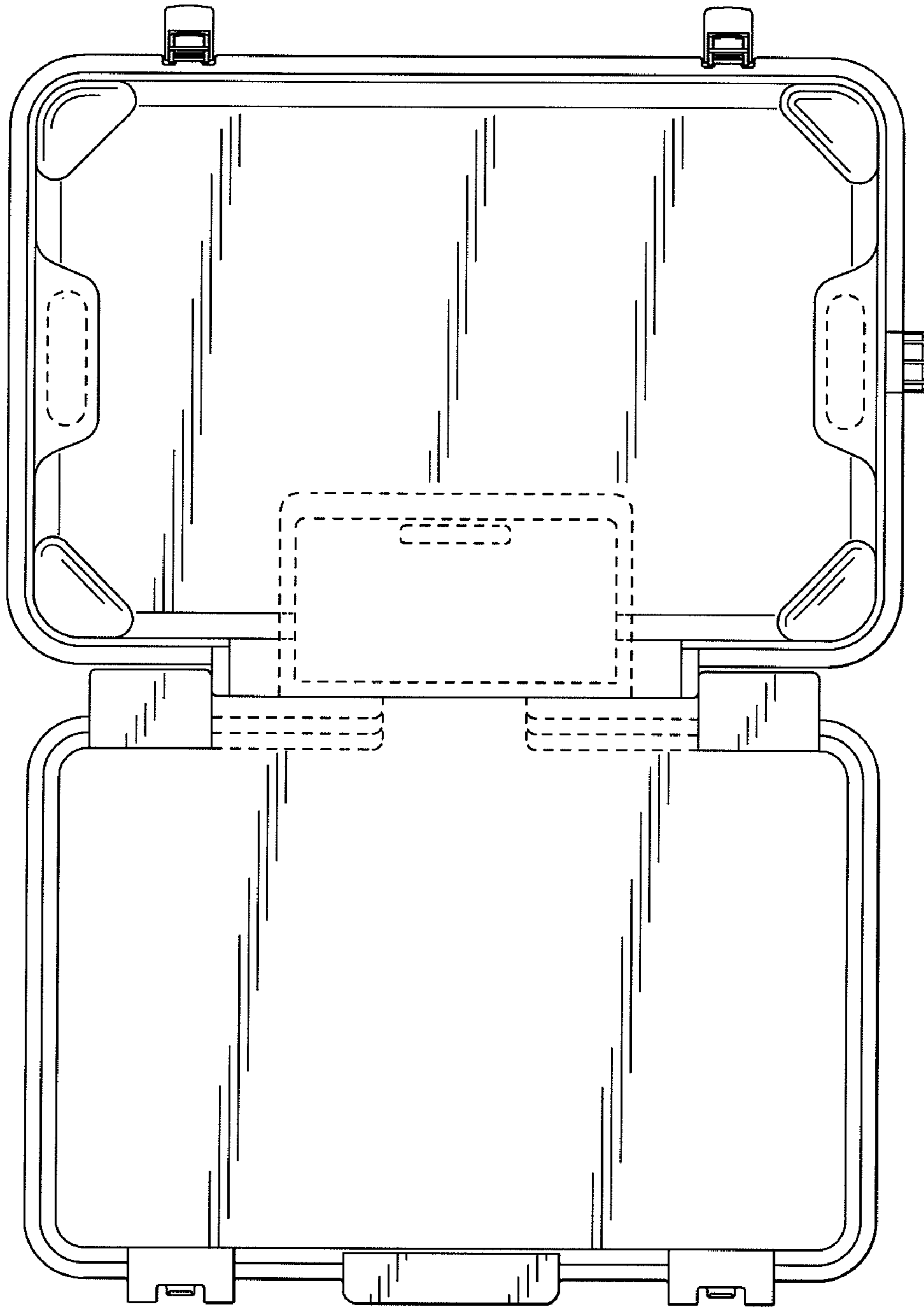


FIG. 7

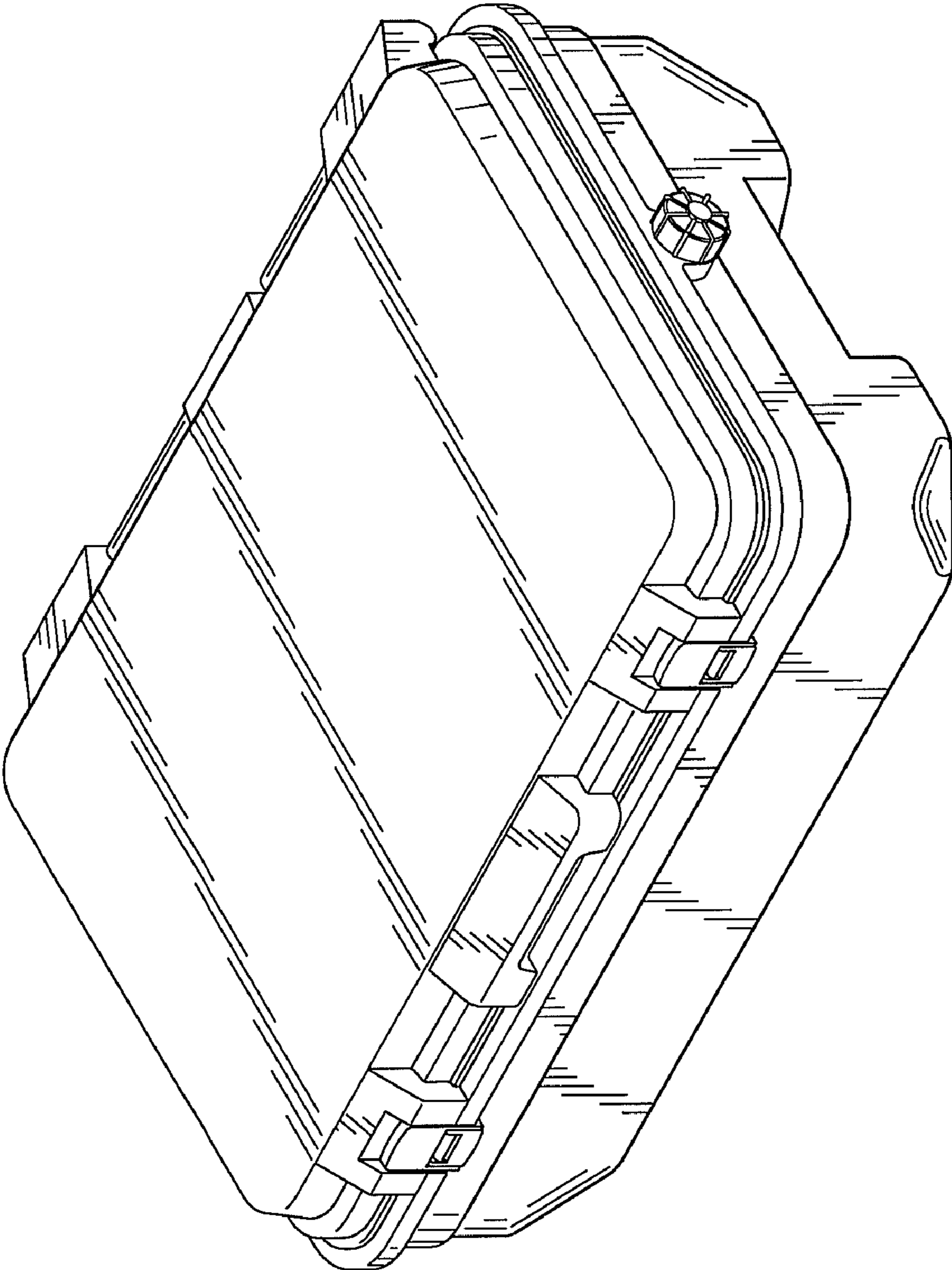


FIG. 8

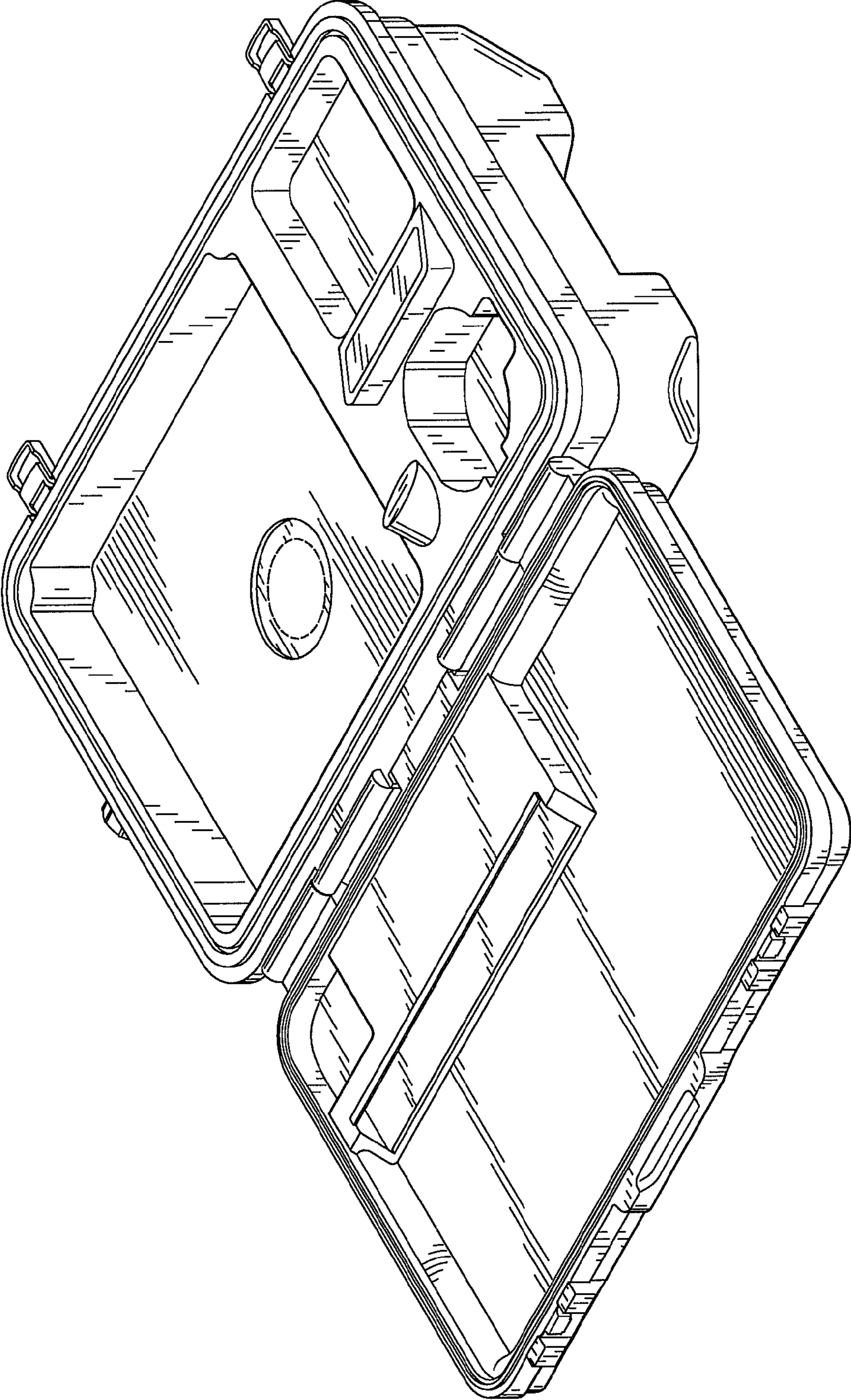


FIG. 9