



US00D678633S

(12) **United States Design Patent**
Beard

(10) **Patent No.:** **US D678,633 S**

(45) **Date of Patent:** **** Mar. 19, 2013**

(54) **PET WASTE REMOVAL APPARATUS**

(75) **Inventor:** **Russell Beard**, Stroud (GB)

(73) **Assignee:** **MaFace Solutions Ltd** (GB)

(**) **Term:** **14 Years**

(21) **Appl. No.:** **29/414,086**

(22) **Filed:** **Feb. 24, 2012**

(51) **LOC (9) Cl.** **30-99**

(52) **U.S. Cl.** **D30/162**

(58) **Field of Classification Search** D30/161,
D30/162, 199; D32/1, 15, 16, 17, 18, 19,
D32/20, 21, 22, 23, 24, 35; D21/526; D24/108;
294/1.3, 1.4, 1.5, 2, 3.5, 5.5, 7, 51, 52, 53.5,
294/54.5, 55, 55.5, 57, 58, 60, 120, 181,
294/190, 219, 173, 176, 177, 178, 179, 180,
294/209, 210, 211; 15/104.001, 105; D8/1,
D8/2, 3, 10, 11, 40, 41, 51, 54, 69, 94, 106,
D8/107, 300, 310; 446/474

See application file for complete search history.

(56) **References Cited**

U.S. PATENT DOCUMENTS

5,318,330	A *	6/1994	Dombrowski	294/1.3
5,476,296	A *	12/1995	Gross	294/1.3
5,620,220	A *	4/1997	Khoshnood	294/1.3
D462,488	S *	9/2002	Santiago et al.	D32/18
D497,651	S *	10/2004	McKee et al.	D21/525
D536,147	S *	1/2007	Medema et al.	D32/18
D604,914	S *	11/2009	Boghozian	D30/162

D634,491	S *	3/2011	Sigmund	D30/162
D659,919	S *	5/2012	Lin	D32/17
8,292,339	B1 *	10/2012	Auseklis	294/1.4
2004/0066049	A1 *	4/2004	Azrikam	294/1.4
2011/0193359	A1 *	8/2011	Howard	294/1.3
2012/0304406	A1 *	12/2012	Kirby et al.	15/105

* cited by examiner

Primary Examiner — Ian Simmons

Assistant Examiner — Shannon Weekley

(74) *Attorney, Agent, or Firm* — Hovey Williams LLP

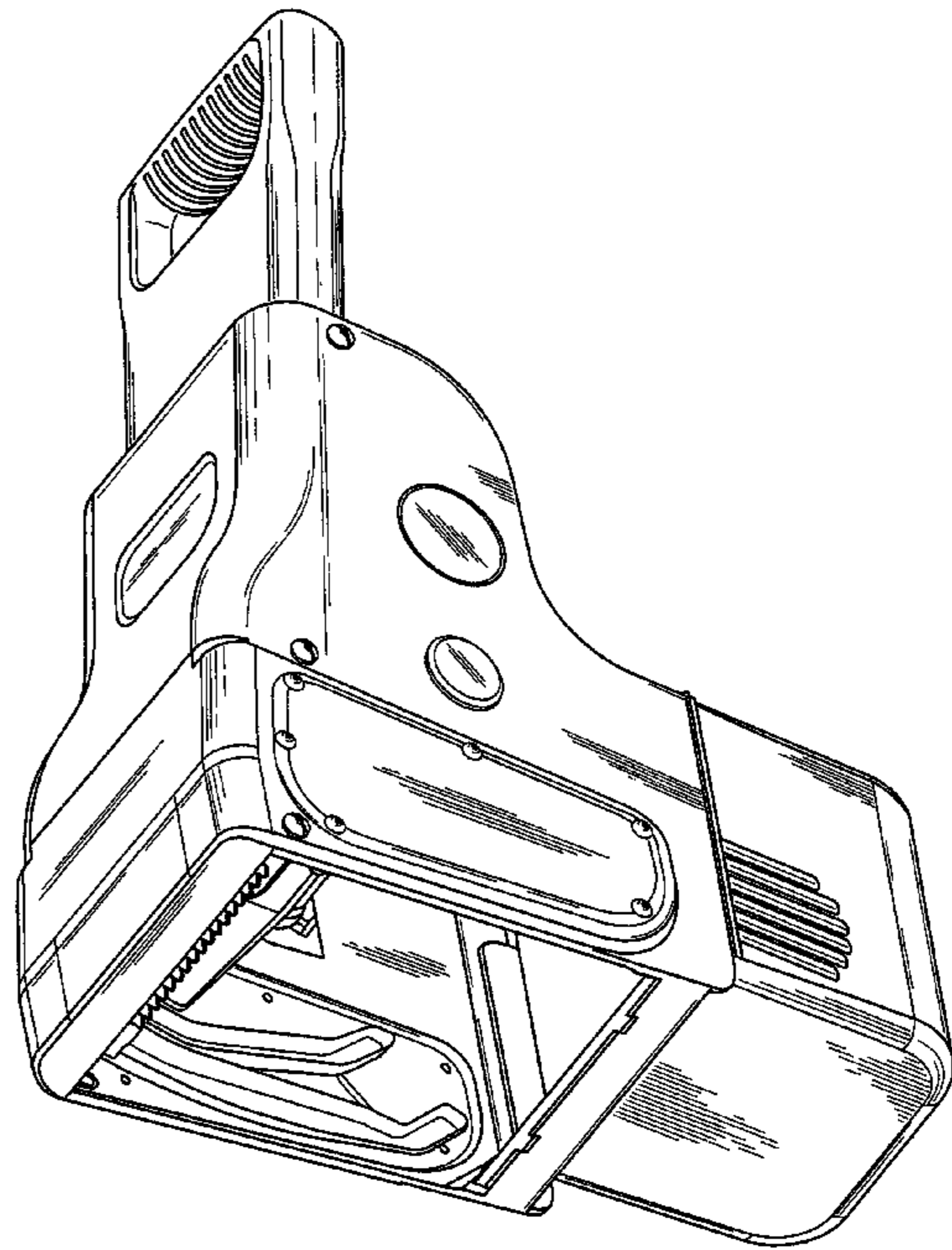
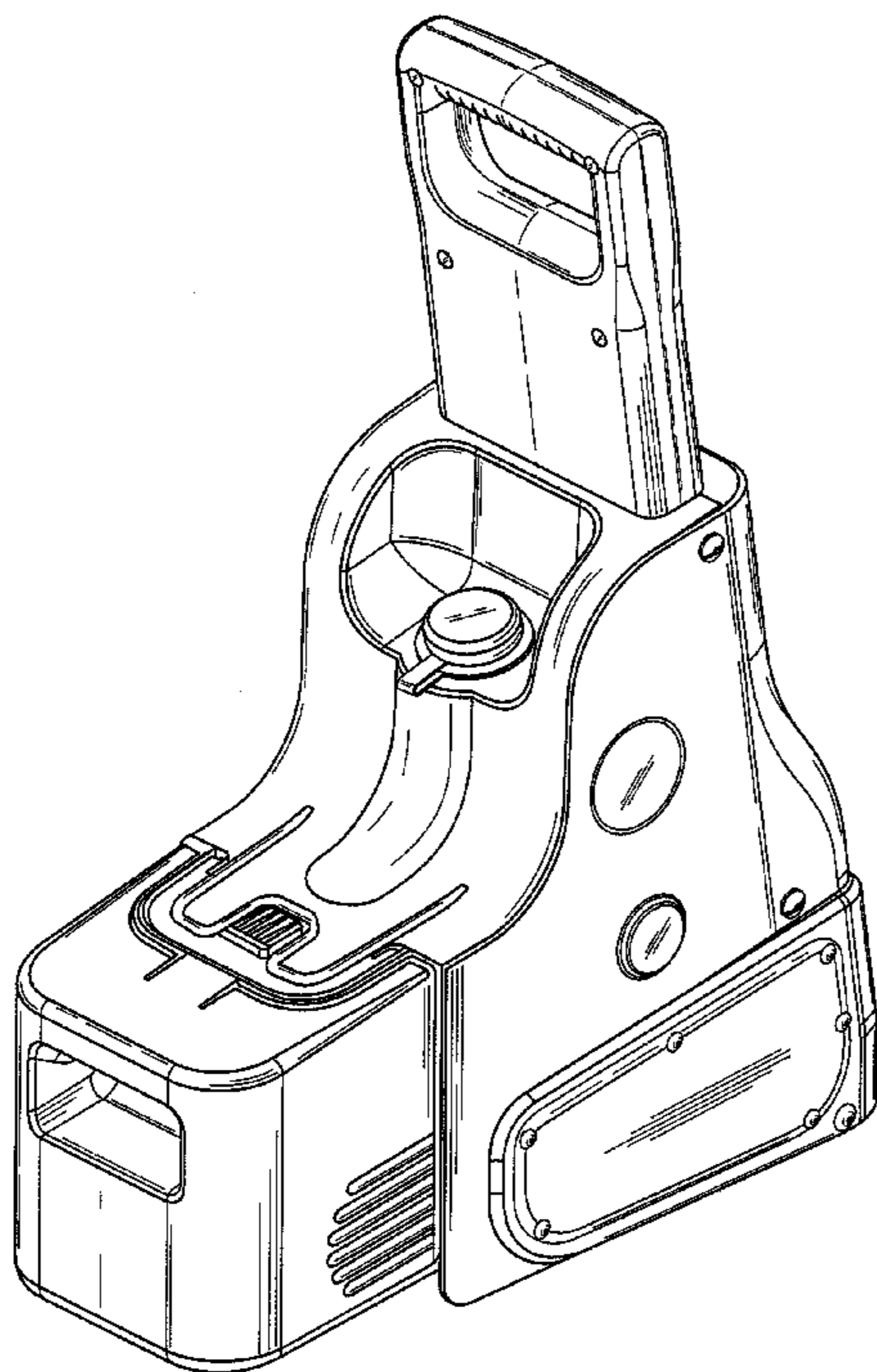
(57) **CLAIM**

The ornamental design for a pet waste removal apparatus, as shown and described.

DESCRIPTION

FIG. 1 is a front right perspective view of the pet waste removal apparatus embodying the design;
 FIG. 2 is a bottom left perspective view of the pet waste removal apparatus of FIG. 1;
 FIG. 3 is a left side elevation view of the pet waste removal apparatus of FIG. 1;
 FIG. 4 is a right side elevation view of the pet waste removal apparatus of FIG. 1;
 FIG. 5 is a front elevation view of the pet waste removal apparatus of FIG. 1;
 FIG. 6 is a rear elevation view of the pet waste removal apparatus of FIG. 1; and,
 FIG. 7 is a top plan view of the pet waste removal apparatus of FIG. 1.

1 Claim, 7 Drawing Sheets



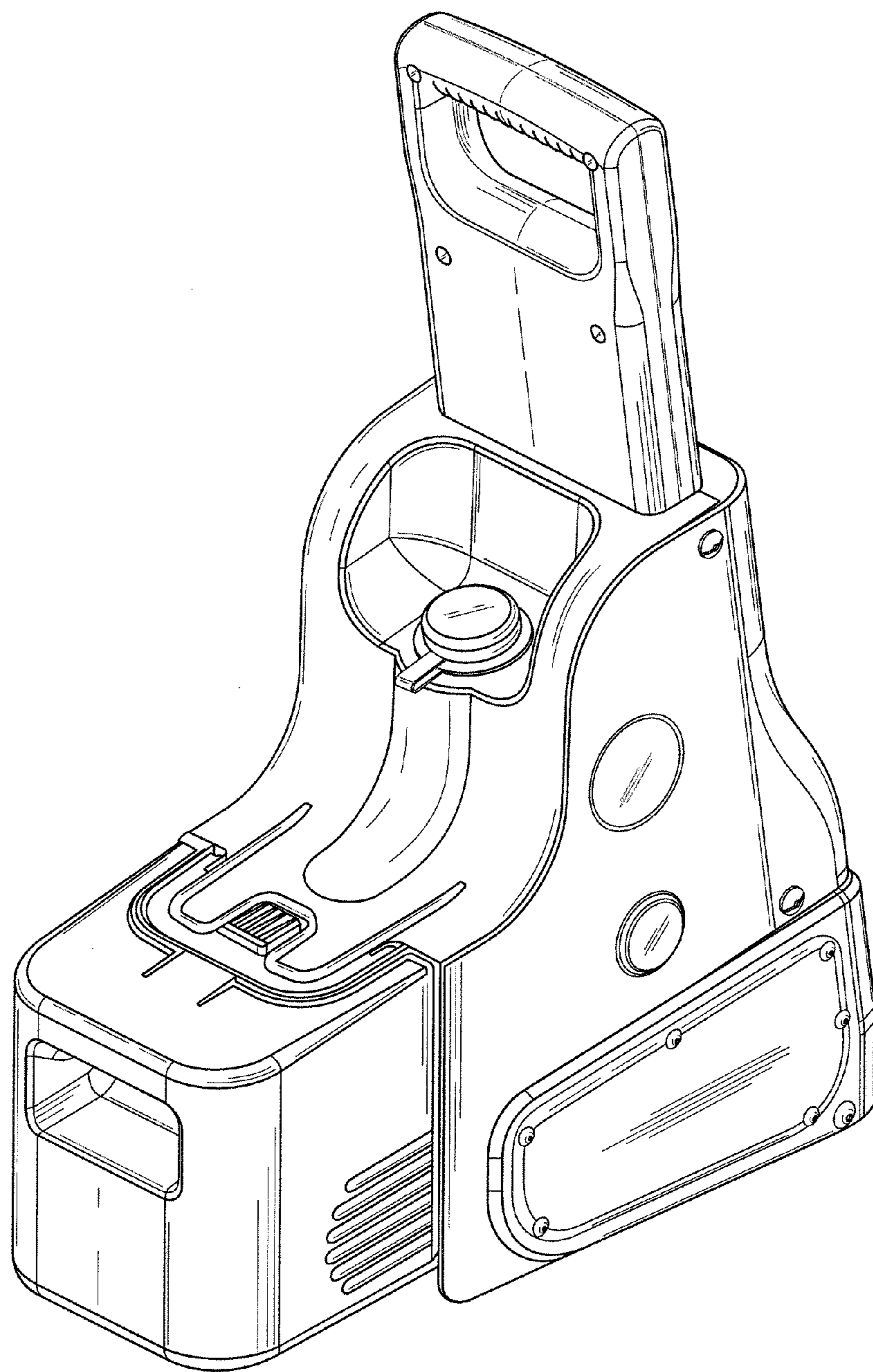


FIG. 1

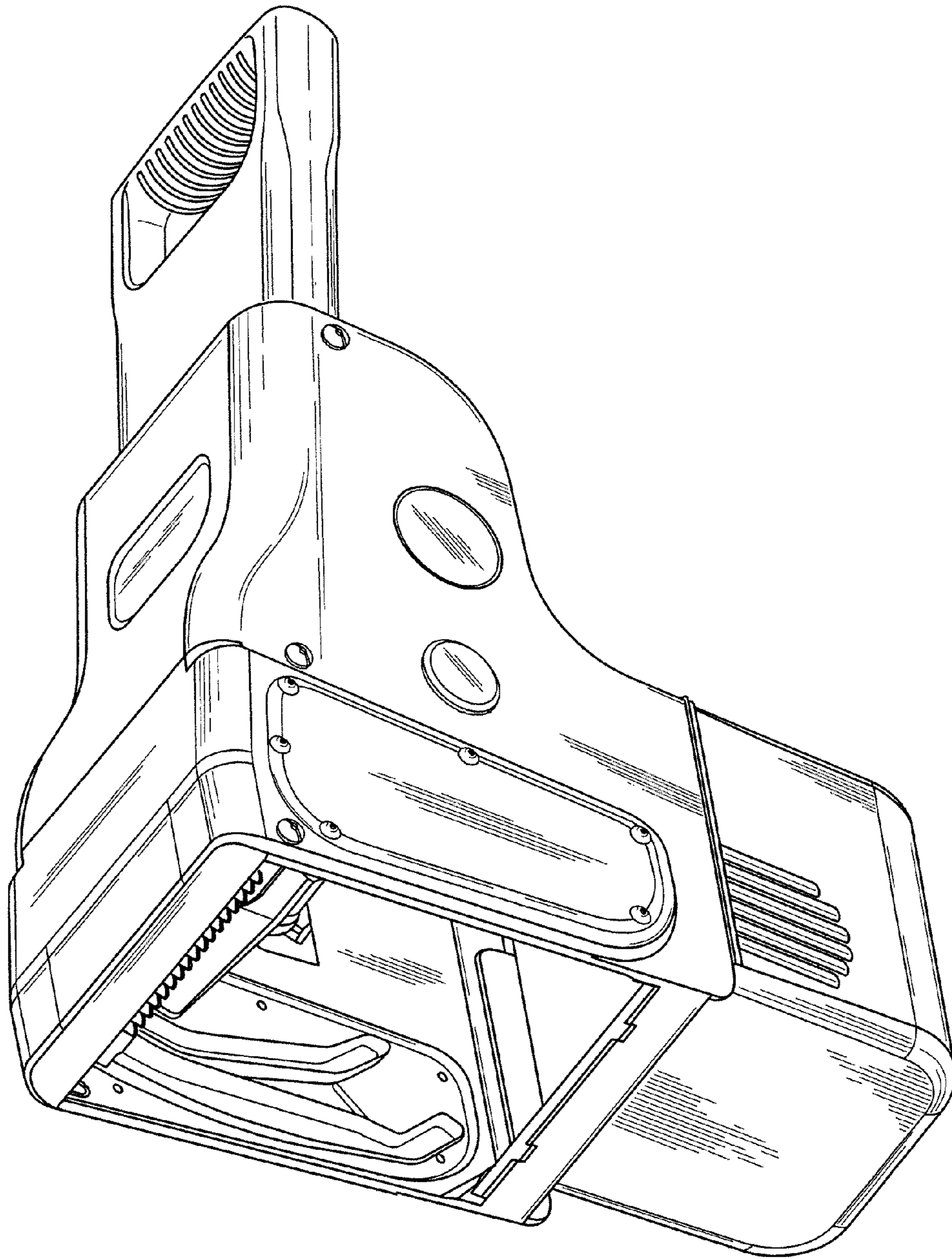


FIG. 2

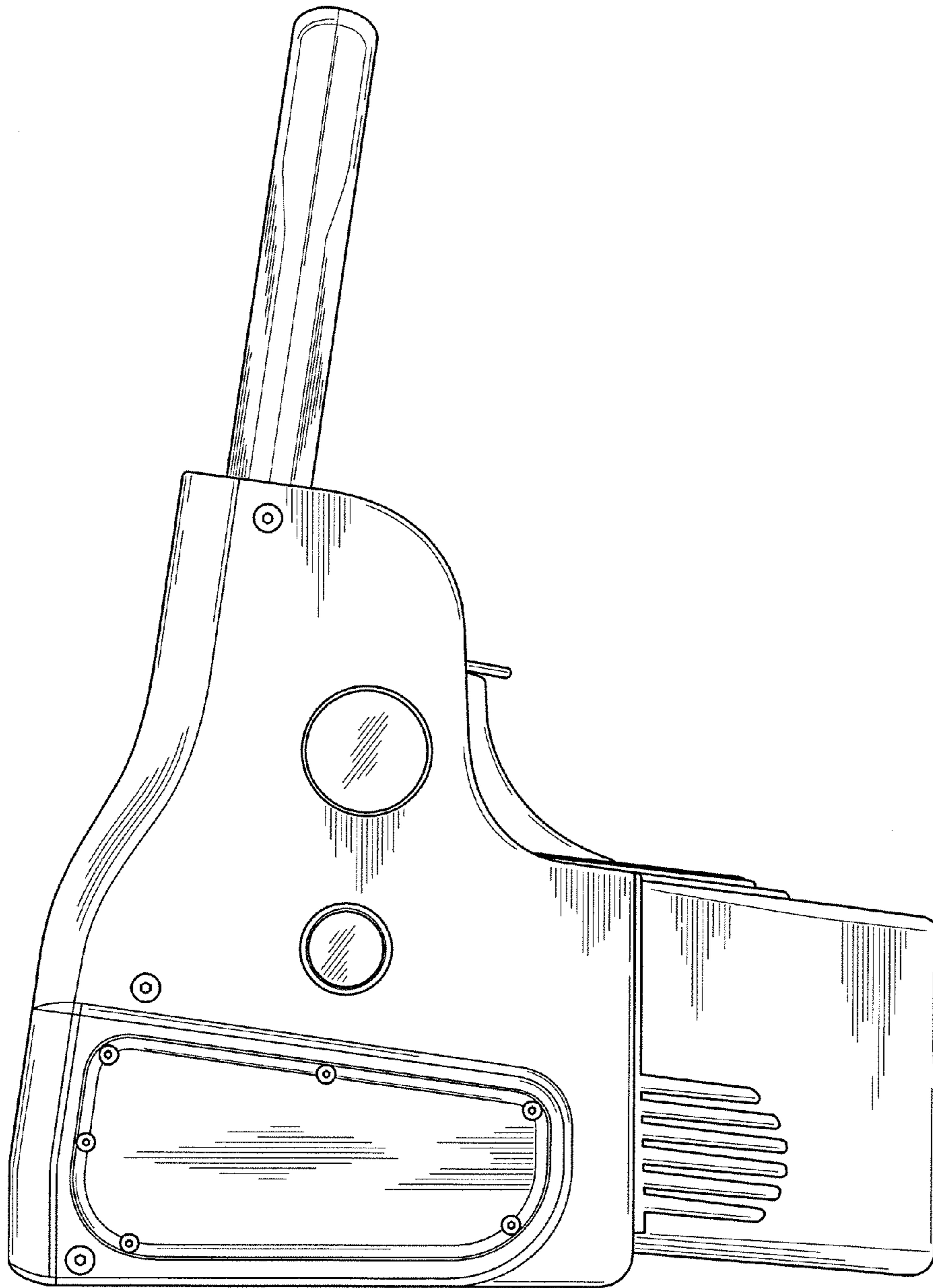


FIG. 3

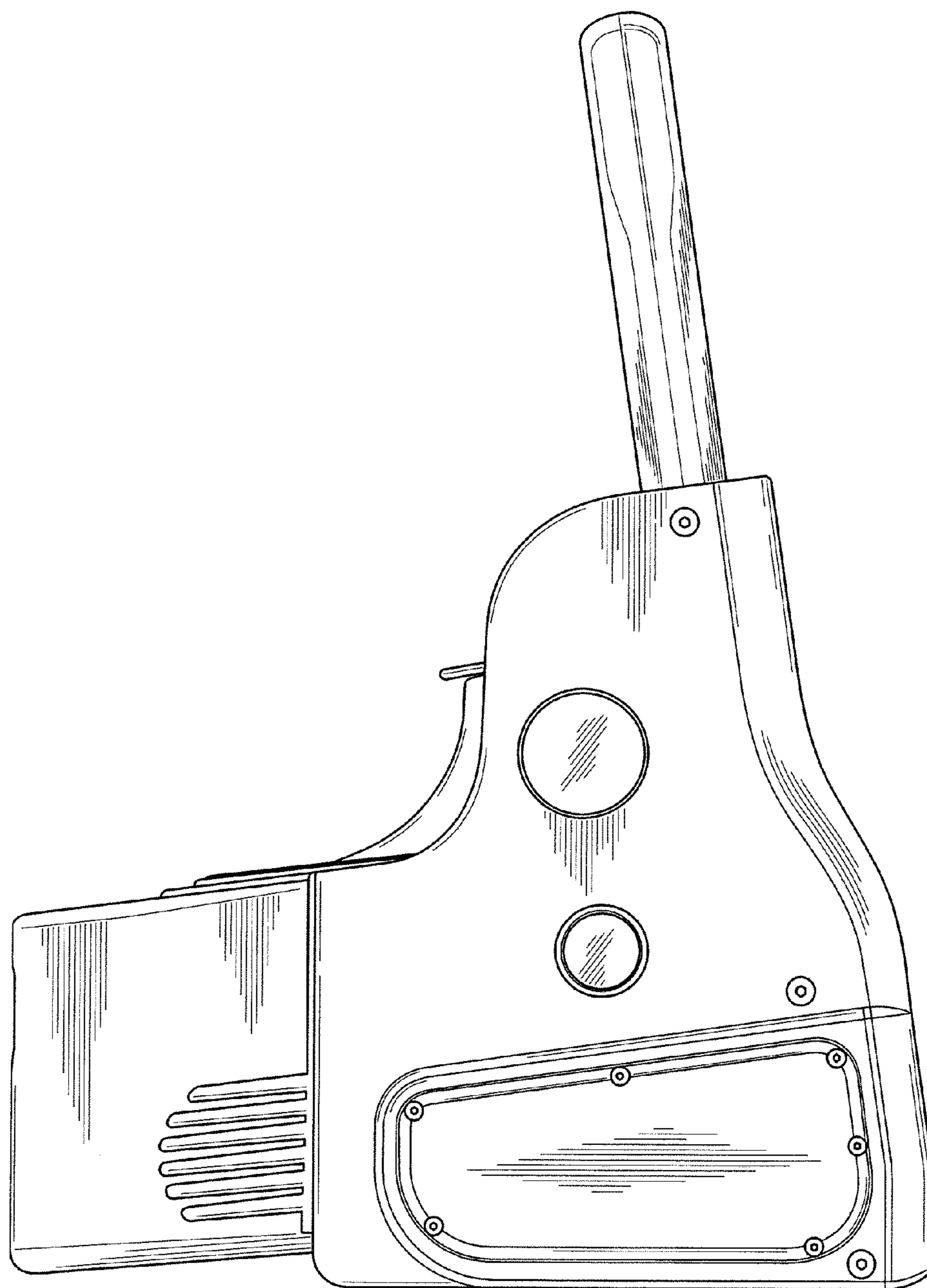


FIG. 4

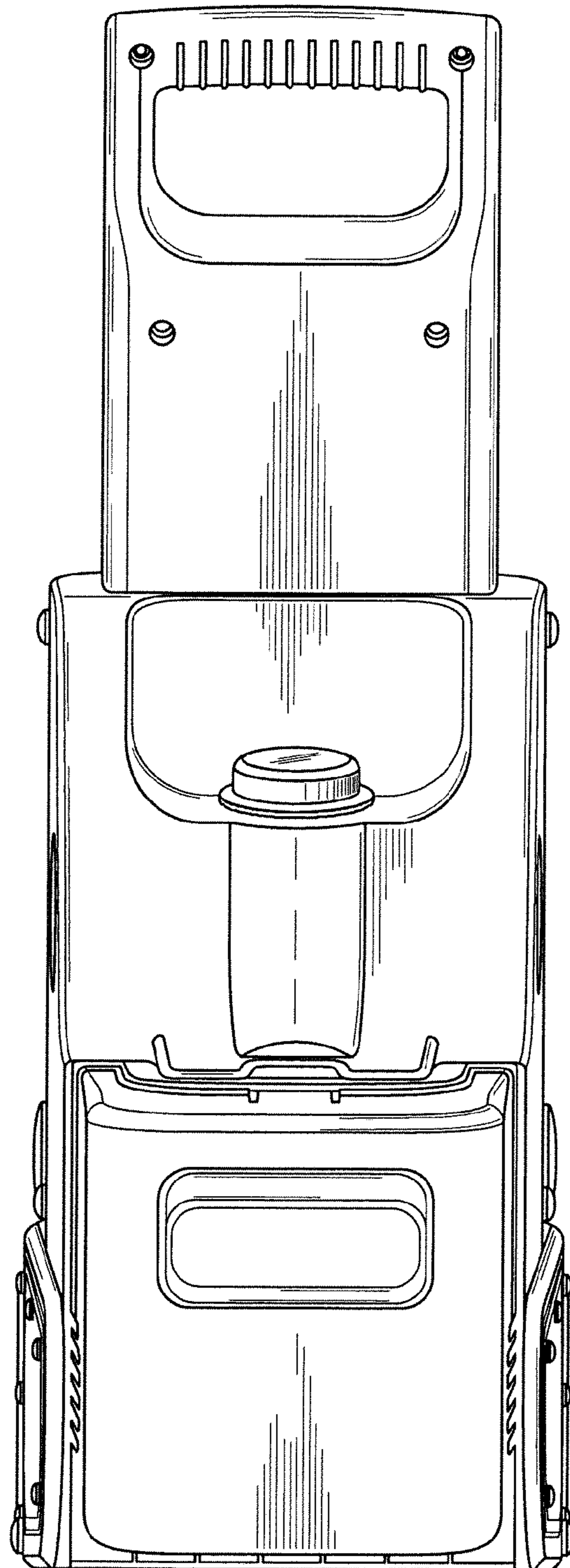


FIG. 5

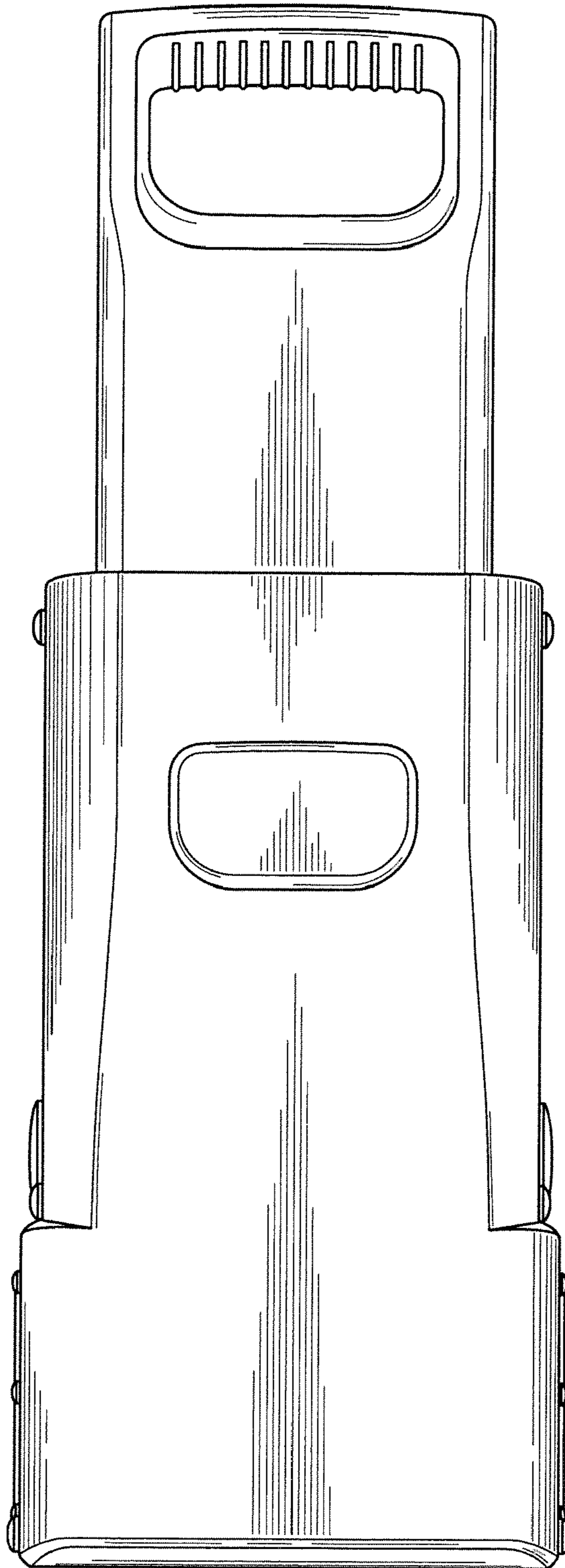


FIG. 6

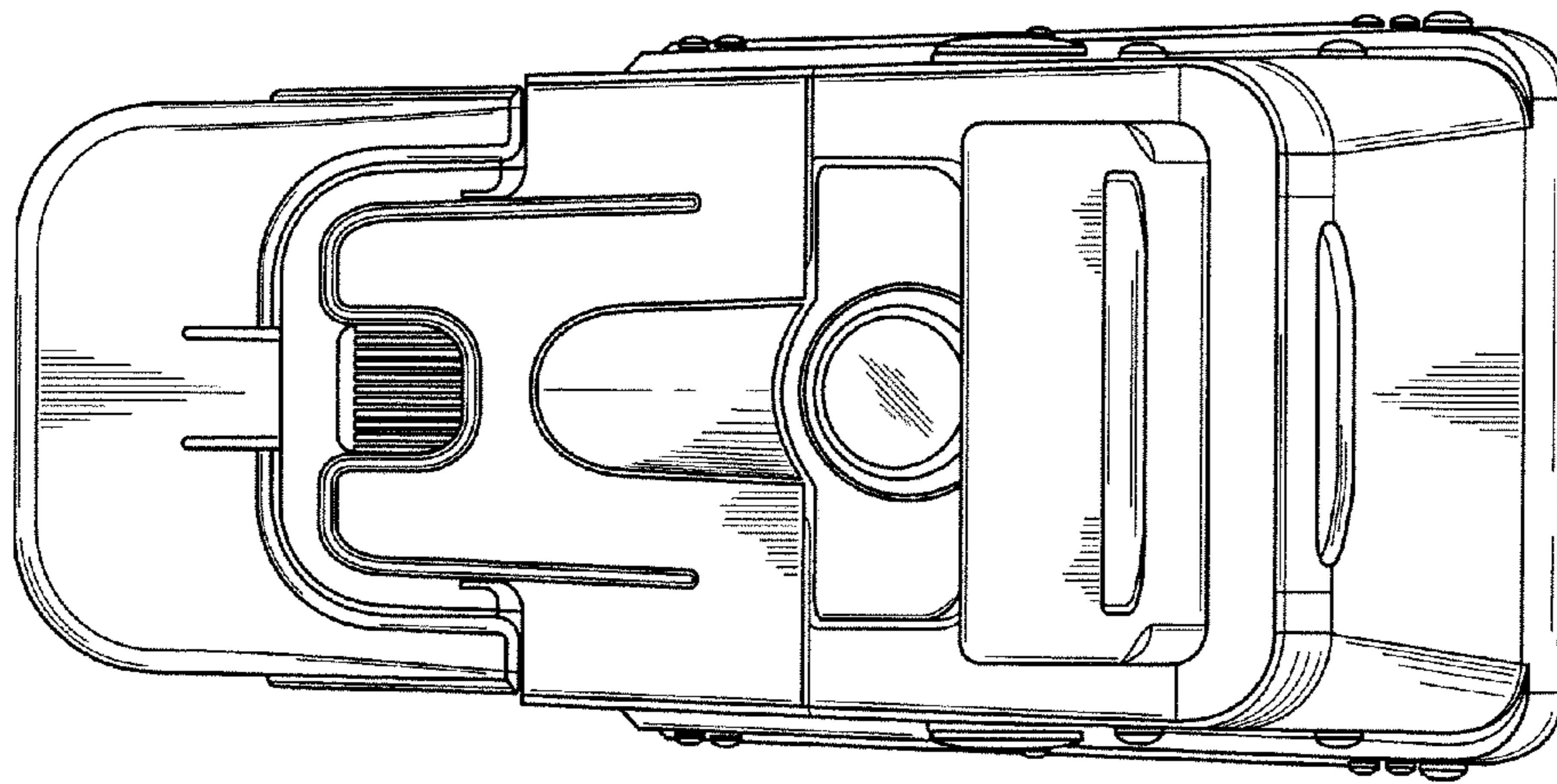


FIG. 7