



US00D678631S

(12) **United States Design Patent**  
**Paculdo**

(10) **Patent No.:** **US D678,631 S**

(45) **Date of Patent:** **\*\* Mar. 19, 2013**

(54) **MOUSE SHAPED LASER PET TOY**

(75) Inventor: **Sara Paculdo**, San Francisco, CA (US)

(73) Assignee: **Worldwise, Inc.**, San Rafael, CA (US)

(\*\*) Term: **14 Years**

(21) Appl. No.: **29/427,457**

(22) Filed: **Jul. 18, 2012**

(51) **LOC (9) Cl.** ..... **30-99**

(52) **U.S. Cl.** ..... **D30/160**

(58) **Field of Classification Search** ..... D30/160;  
119/702, 707-711

See application file for complete search history.

(56) **References Cited**

**U.S. PATENT DOCUMENTS**

5,443,036	A *	8/1995	Amiss et al. ....	119/707
D372,791	S *	8/1996	Berendsen et al. ....	D30/160
D373,662	S *	9/1996	Box .....	D30/160
D437,899	S *	2/2001	Ritchey .....	D30/160
6,505,576	B2 *	1/2003	Nathanson et al. ....	119/702
6,701,872	B1 *	3/2004	Allen .....	119/707
D512,470	S *	12/2005	Sikio .....	D30/160
D568,554	S *	5/2008	Lamstein .....	D30/160
D582,615	S *	12/2008	Tamura et al. ....	D30/160
D621,103	S *	8/2010	Kim .....	D30/160

D646,443	S *	10/2011	Cook et al. ....	D30/160
8,066,544	B2 *	11/2011	Hedeem, Jr. ....	446/437
2008/0011243	A1 *	1/2008	Moulton .....	119/707

**OTHER PUBLICATIONS**

[http://www.epinions.com/reviews/Worldwise\\_SmartyKat\\_Interactive\\_Laser\\_Light\\_Toy](http://www.epinions.com/reviews/Worldwise_SmartyKat_Interactive_Laser_Light_Toy); A review of the Loco!Laser dated May 13, 2011.\*

\* cited by examiner

*Primary Examiner* — Cathy A MacCormac

(74) *Attorney, Agent, or Firm* — Bay Area Technology Law Group PC

(57) **CLAIM**

The ornamental design for a mouse shaped laser pet toy, as shown and described.

**DESCRIPTION**

FIG. 1 is a perspective view of a mouse shaped laser pet toy showing my new design;

FIG. 2 is a left side view of FIG. 1;

FIG. 3 is a right side view of FIG. 1;

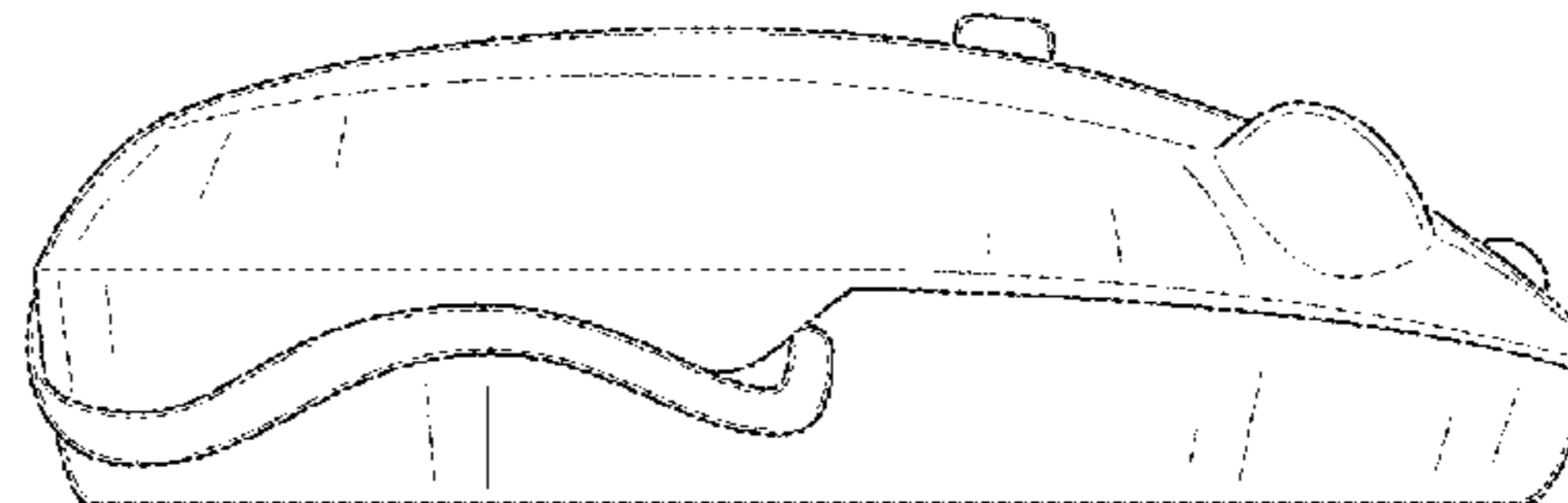
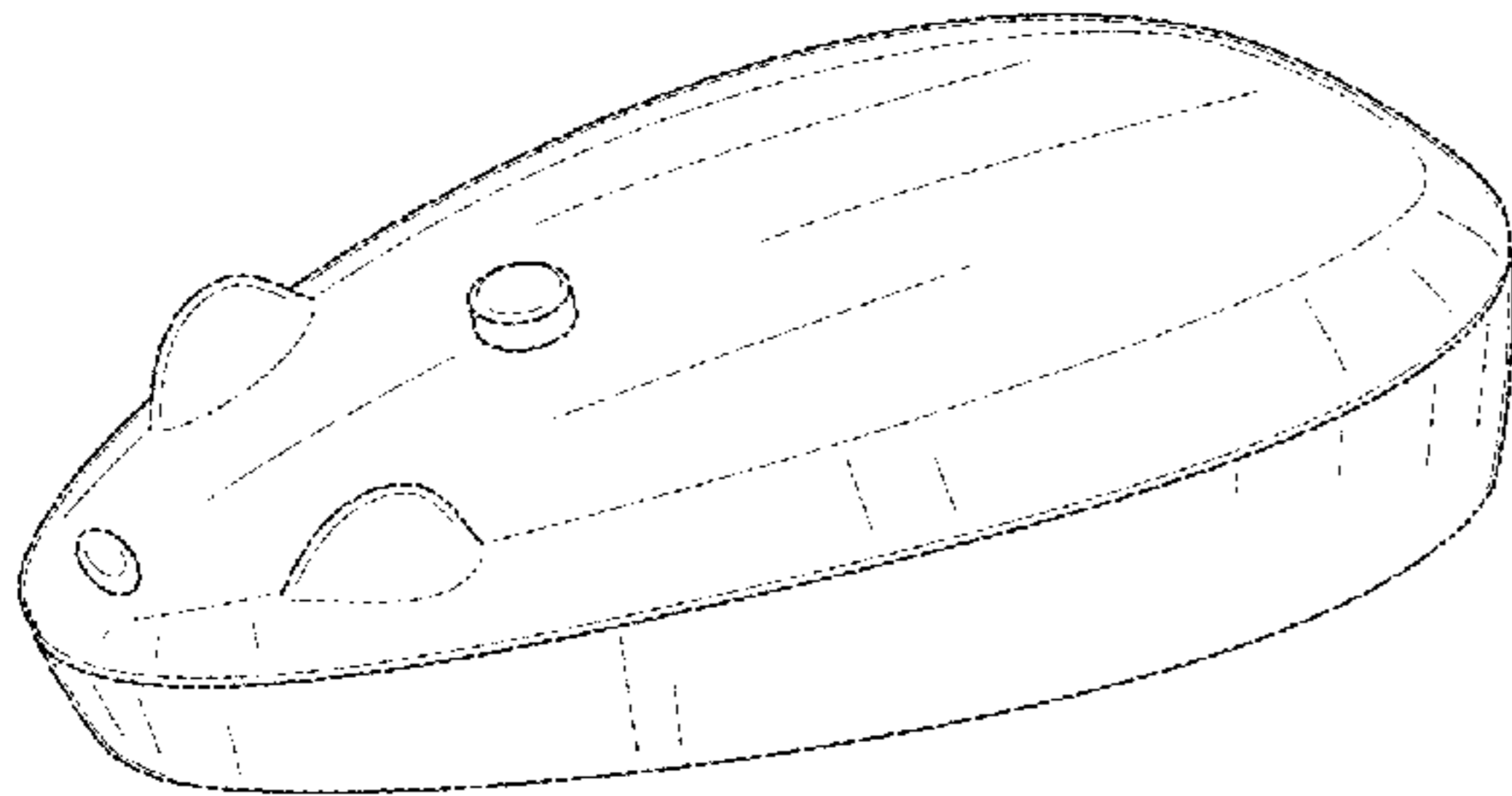
FIG. 4 is a top plan view of FIG. 1;

FIG. 5 is a bottom plan view of FIG. 1;

FIG. 6 is a front view of FIG. 1; and,

FIG. 7 is a rear view of FIG. 1.

**1 Claim, 2 Drawing Sheets**



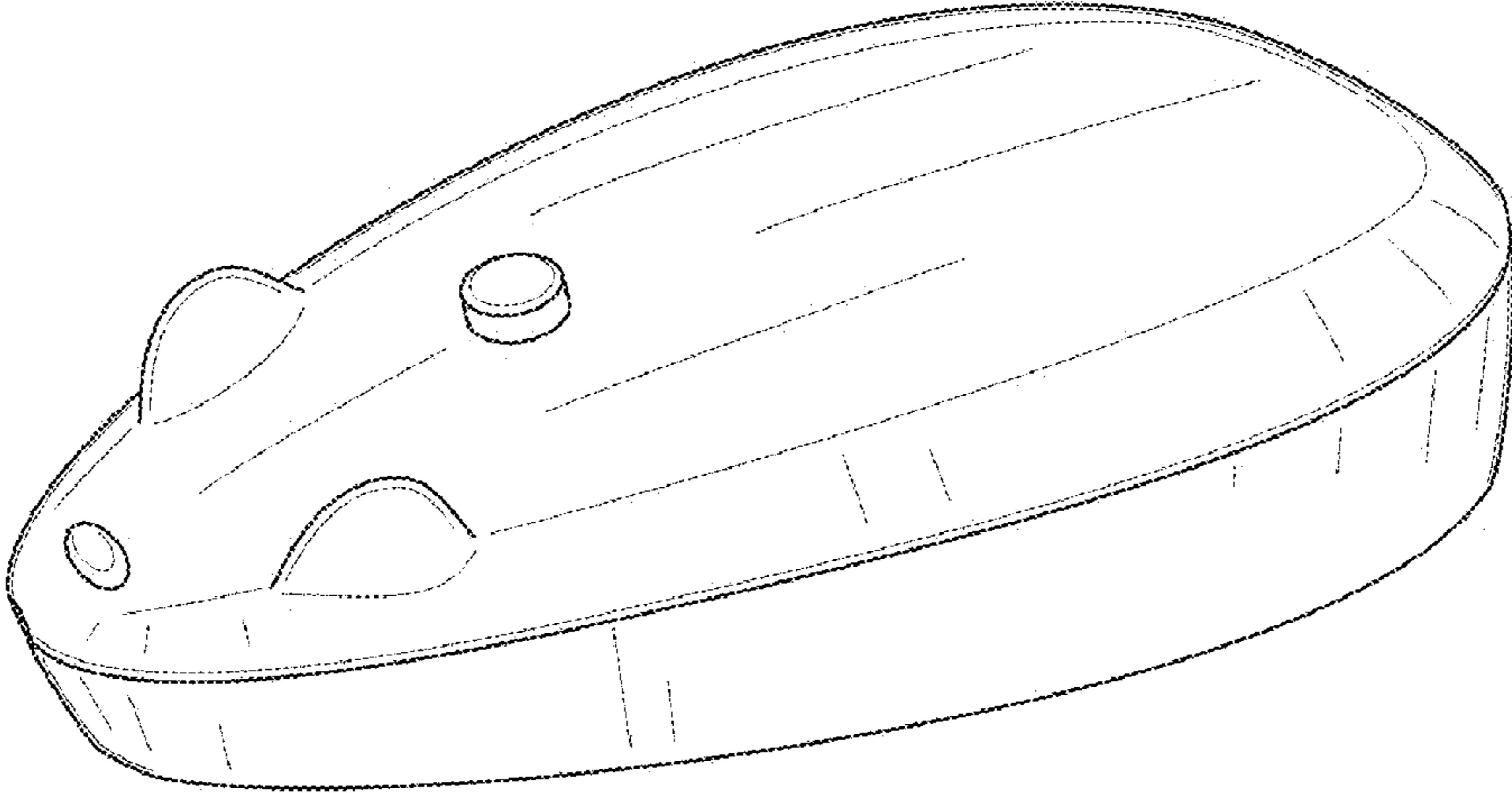


FIG. 1

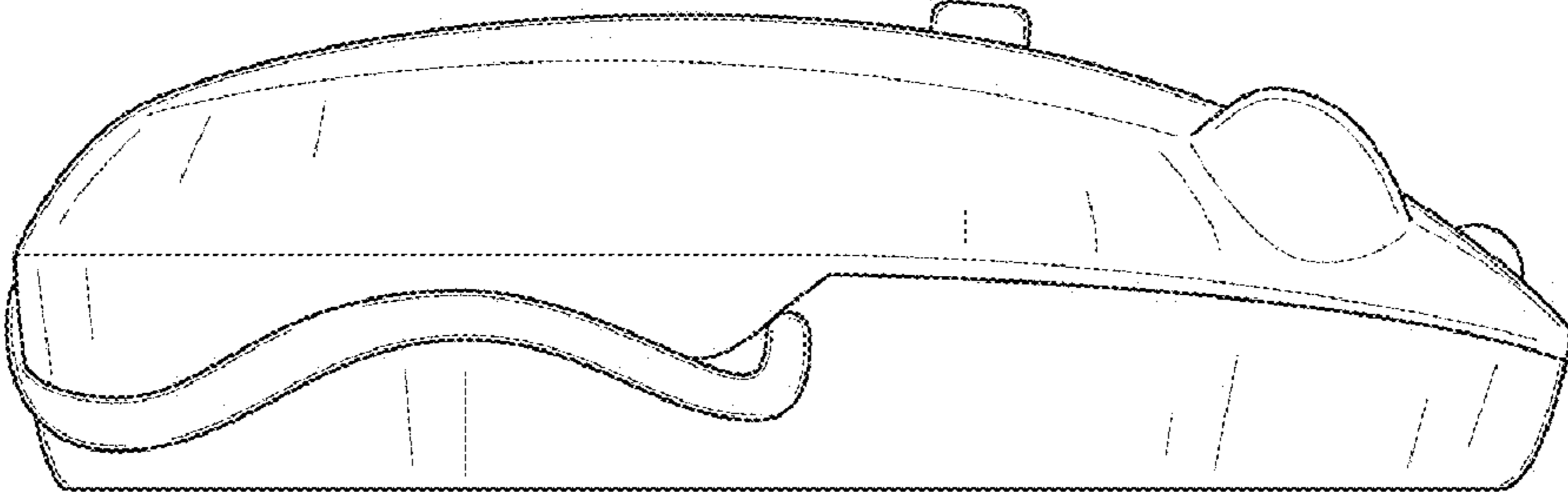


FIG. 2

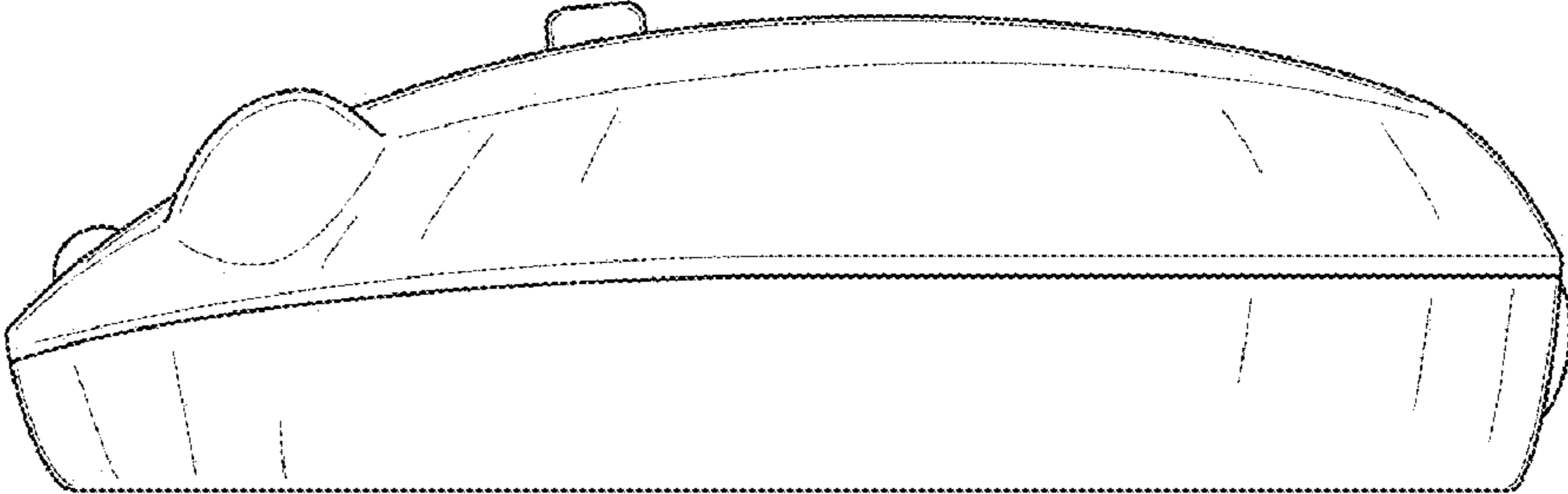


FIG. 3

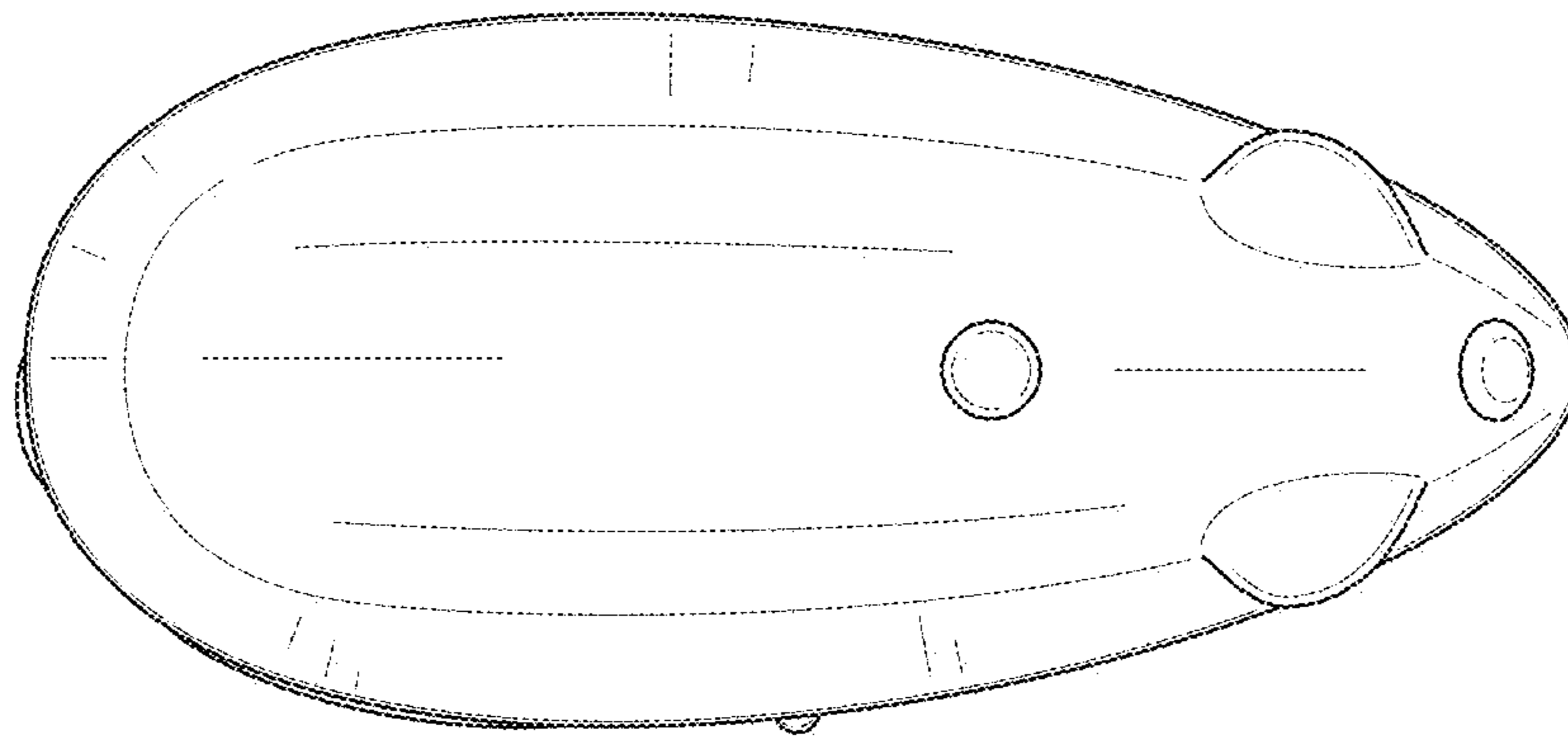


FIG. 4

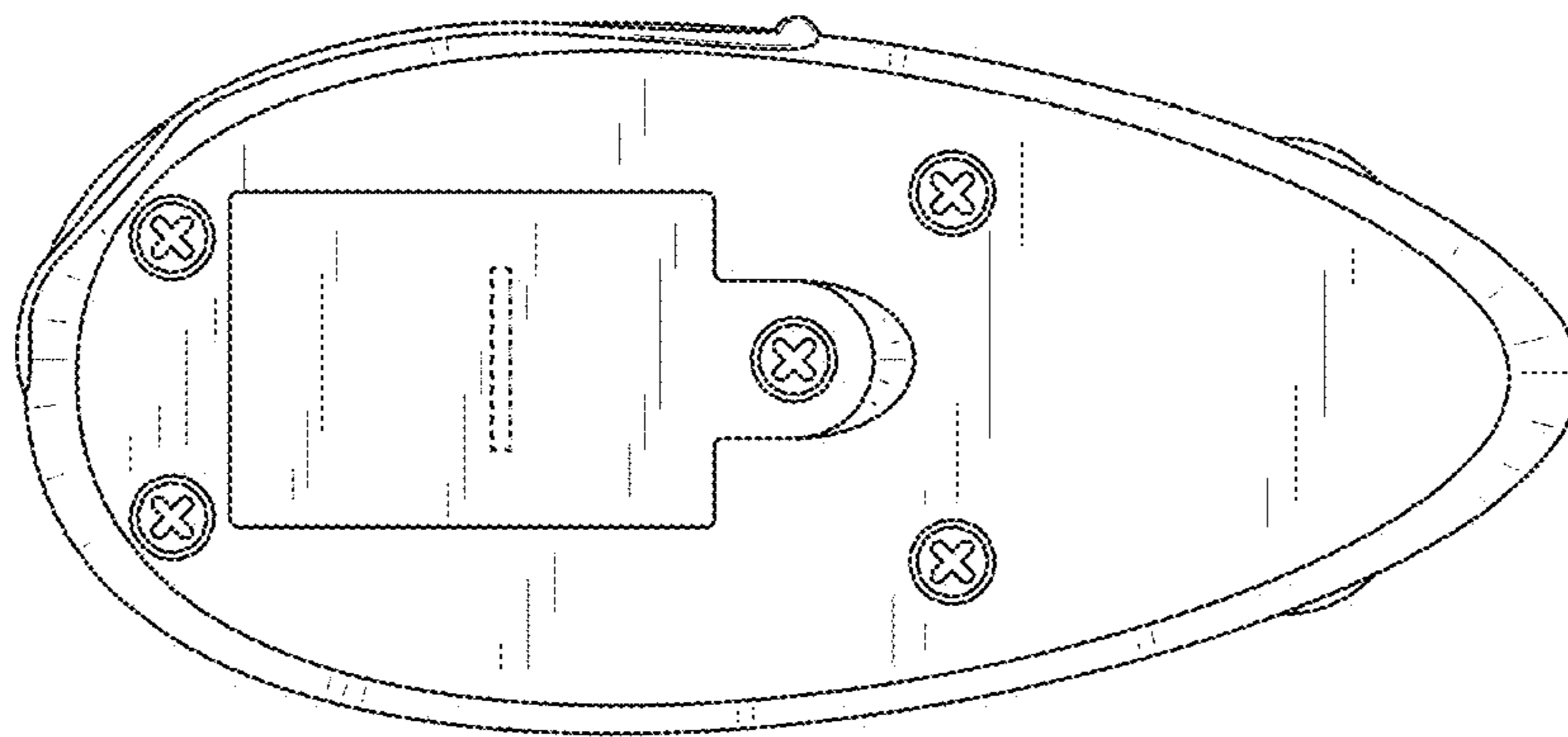


FIG. 5

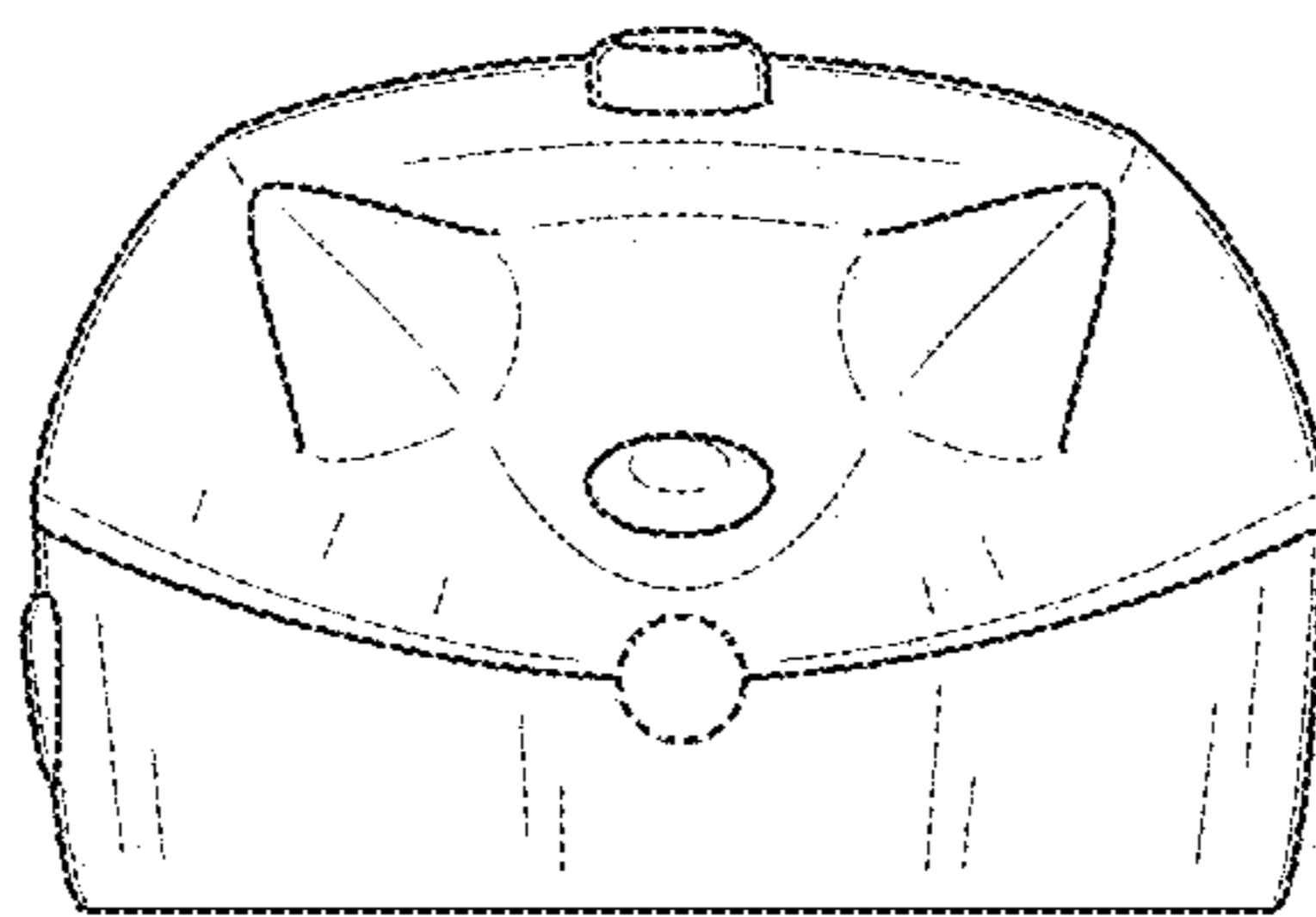


FIG. 6

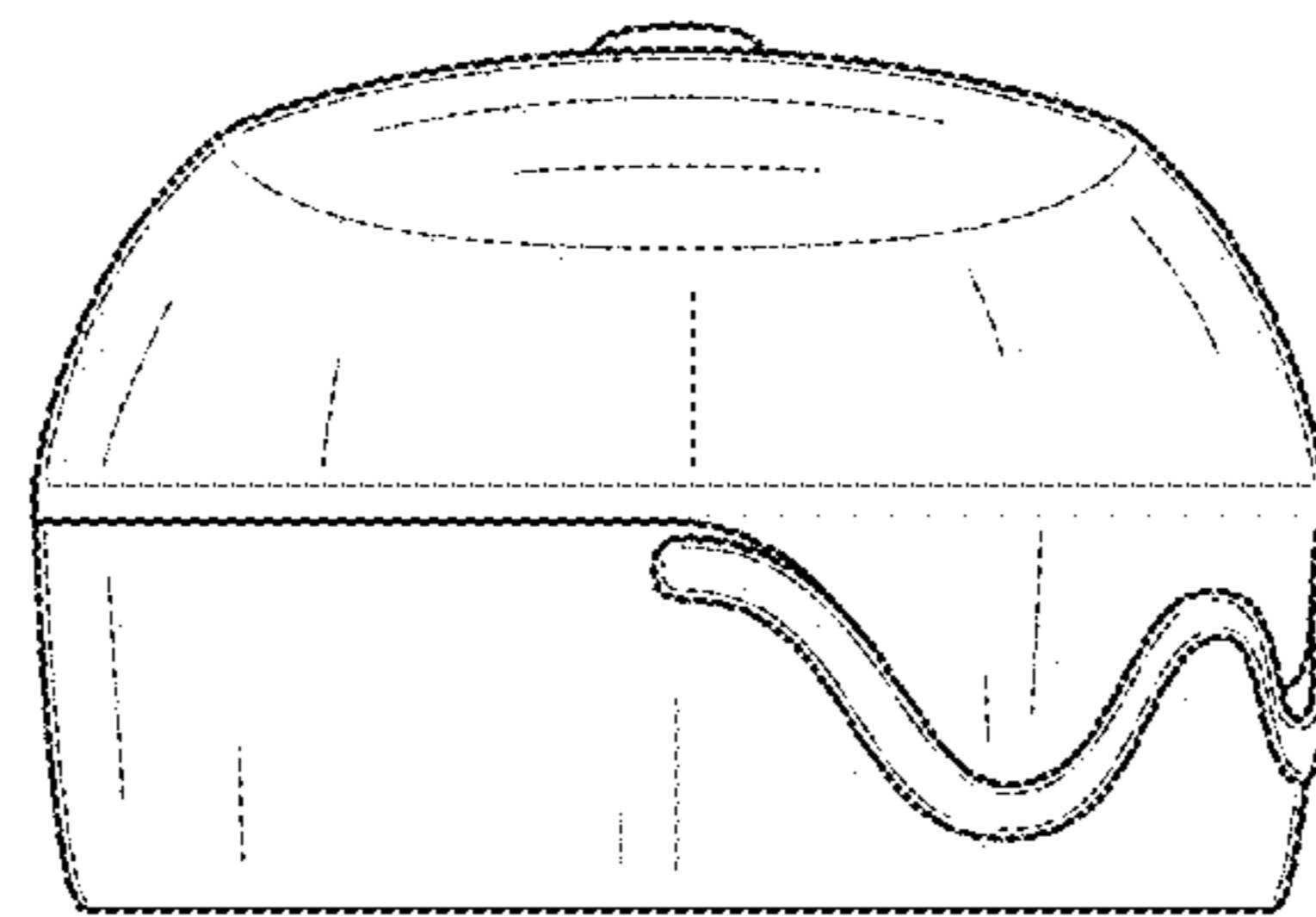


FIG. 7