



US00D678630S

(12) **United States Design Patent**
Cohen

(10) **Patent No.:** **US D678,630 S**
(45) **Date of Patent:** **** Mar. 19, 2013**

(54) **GLOVE FOR A RETRACTABLE DOG LEASH**

D548,897 S 8/2007 Muster
D596,356 S 7/2009 Danieli
D622,455 S * 8/2010 Scarnato D30/199

(75) Inventor: **Mark Cohen**, Mason, OH (US)

* cited by examiner

(73) Assignee: **MRC Innovations**, Mason, OH (US)

Primary Examiner — Susan Moon Lee

(**) Term: **14 Years**

(74) *Attorney, Agent, or Firm* — Rankin Hill & Clark LLP

(21) Appl. No.: **29/368,366**

(57) **CLAIM**

I claim the ornamental design for a glove for a retractable dog leash, as shown and described.

(22) Filed: **Aug. 23, 2010**

DESCRIPTION

(51) **LOC (9) Cl.** **30-04**

(52) **U.S. Cl.** **D30/153; D30/199**

(58) **Field of Classification Search** D30/199,
D30/151-153; D3/201, 226, 228, 230-232,
D3/303, 243; 224/929, 930, 901.6, 901,
224/907, 908; 220/694, 752; 383/86-86.2;
206/305, 320, 548; 16/110.1, 904; 150/154;
119/712, 724, 791-798

FIG. 1 is a perspective view of my glove for a retractable dog leash shown in use.

FIG. 2 is a right side elevational view of the glove shown in FIG. 1;

FIG. 3 is a left side elevational view of the glove shown in FIG. 1;

FIG. 4 is a top plan view of the glove shown in FIG. 1;

FIG. 5 is a bottom plan view of the glove shown in FIG. 1;

FIG. 6 is a front elevational view of the glove shown in FIG. 1.

FIG. 7 is a left side elevational view of the glove shown in FIG. 3 removed from the retractable dog leash; and,

FIG. 8 is a right side elevational view of the glove shown in FIG. 2 removed from the retractable dog leash.

The broken line showing of the retractable dog leash in FIGS. 1-8 is for illustrative purposes only and forms no part of the claimed design.

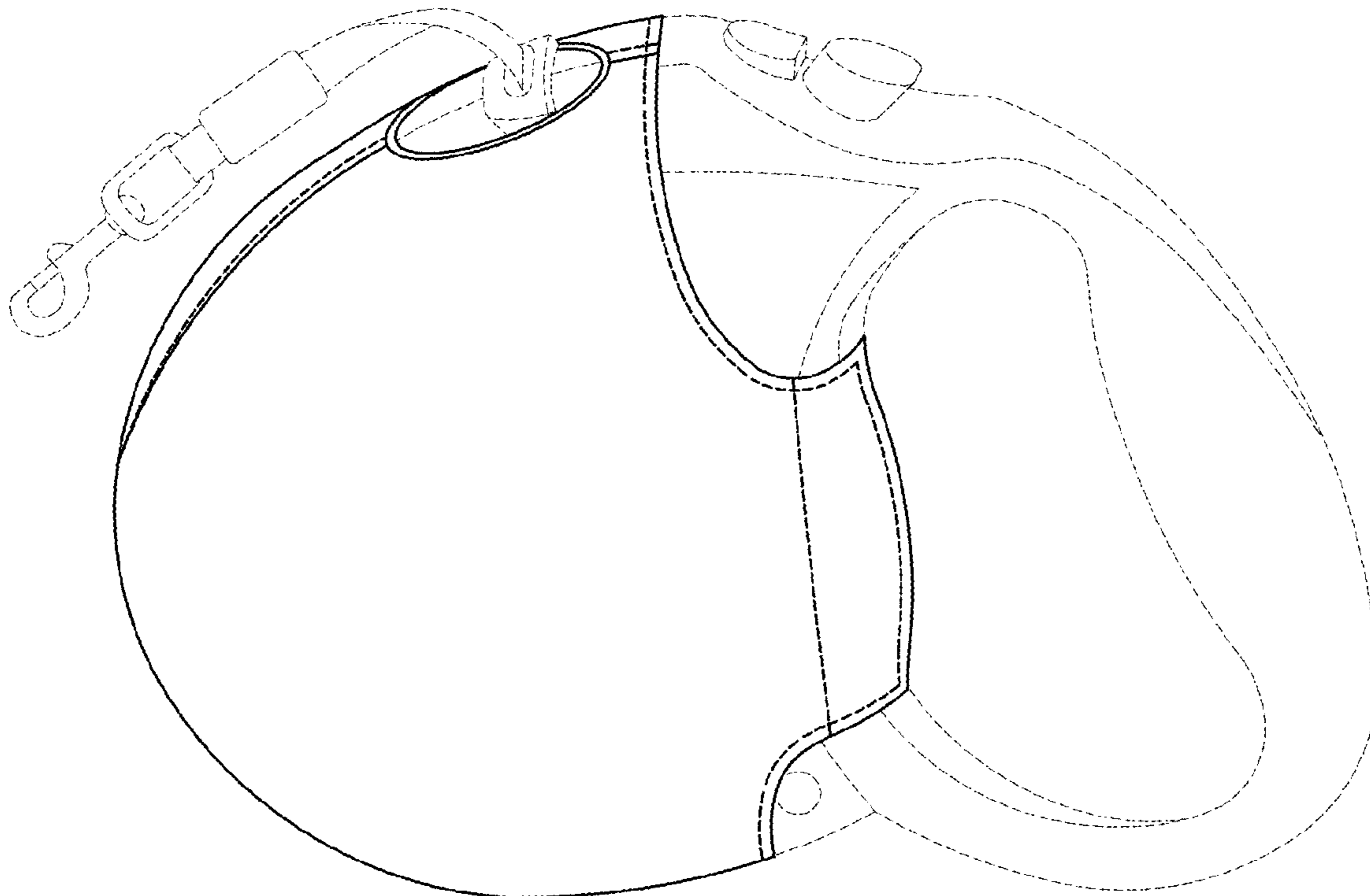
See application file for complete search history.

(56) **References Cited**

U.S. PATENT DOCUMENTS

5,718,192 A * 2/1998 Sebastian 119/795
6,314,917 B1 * 11/2001 Ryan 119/796
D463,074 S * 9/2002 Couchon et al. D30/153
D526,749 S * 8/2006 Campbell D30/199
D527,495 S * 8/2006 Bird D30/153

1 Claim, 5 Drawing Sheets



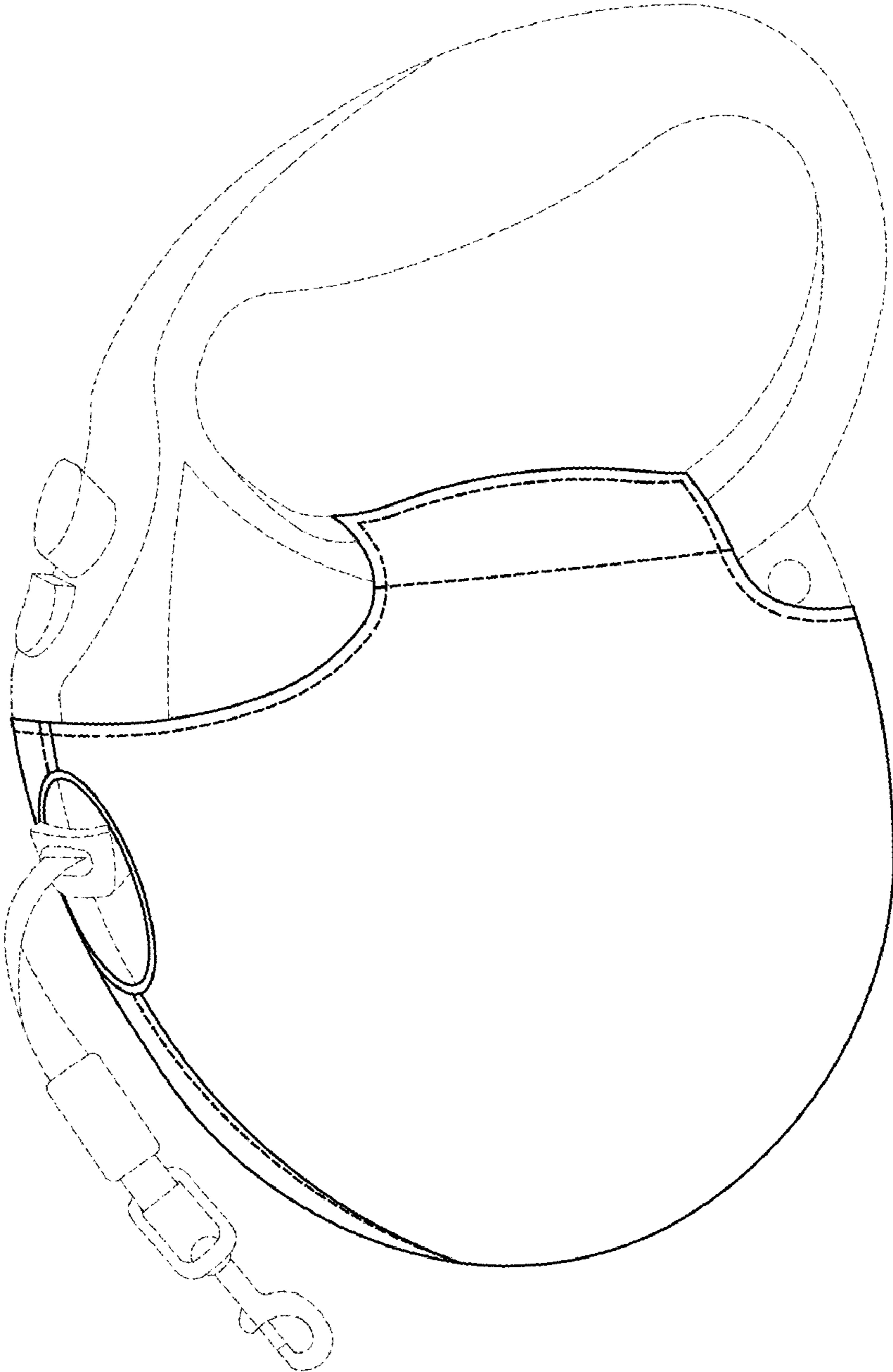


FIG. 1

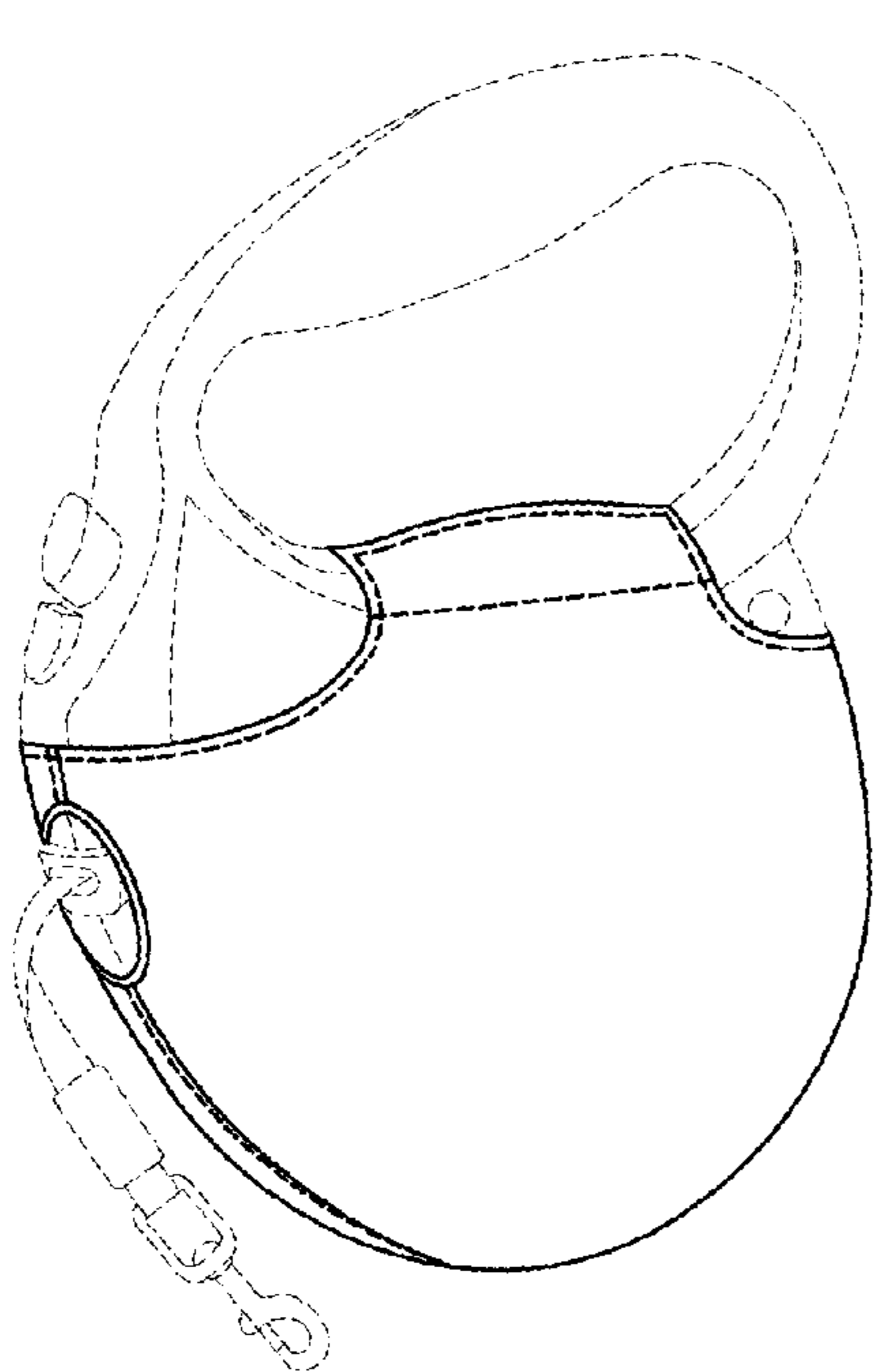


FIG. 2

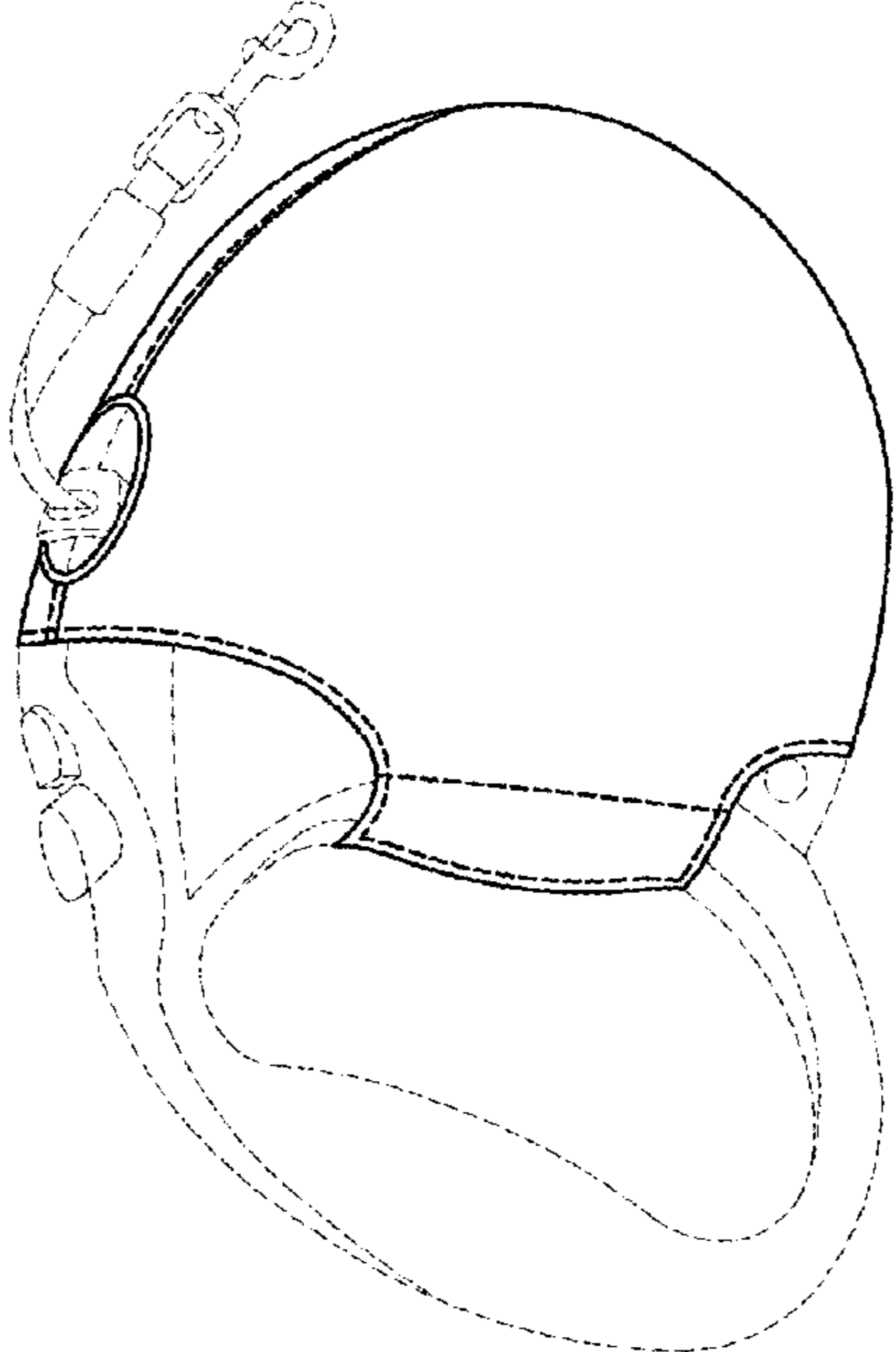


FIG. 3

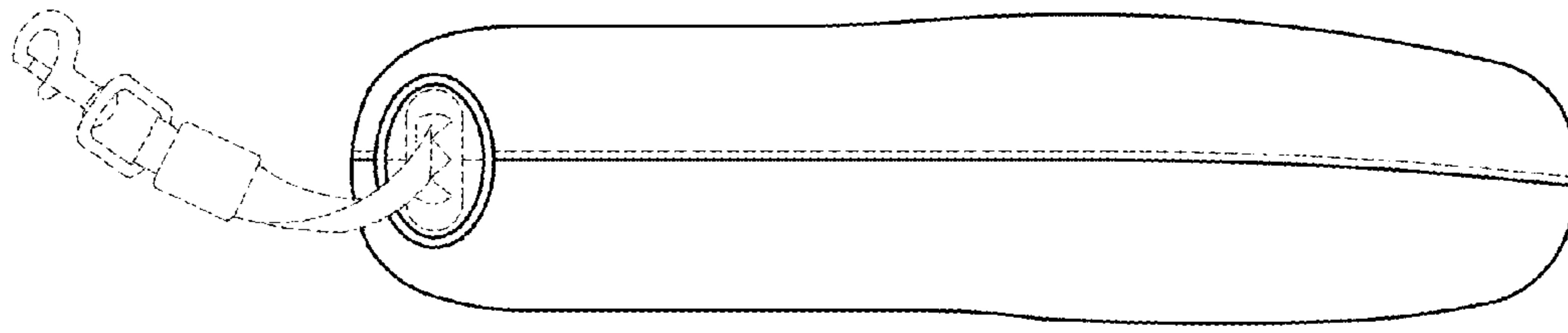


FIG. 6

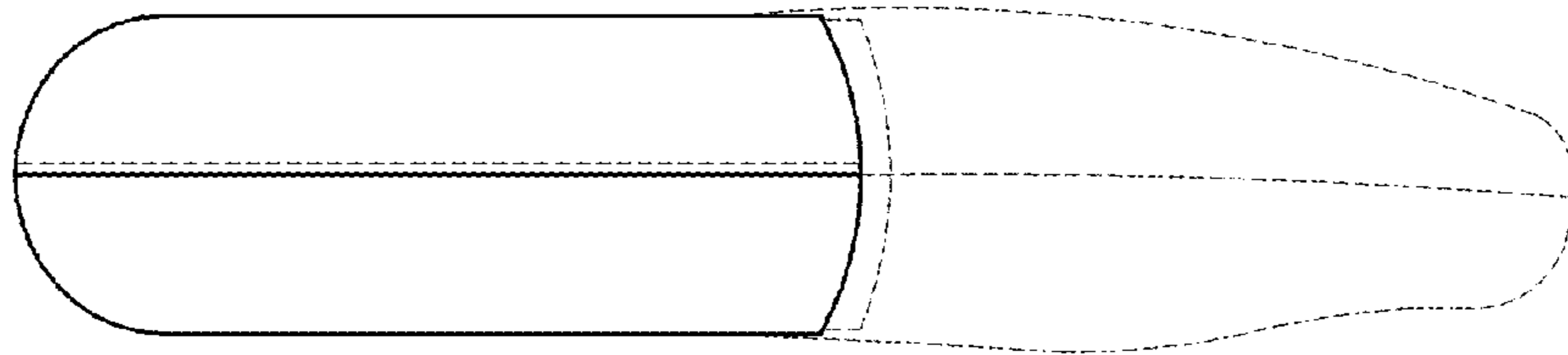


FIG. 5

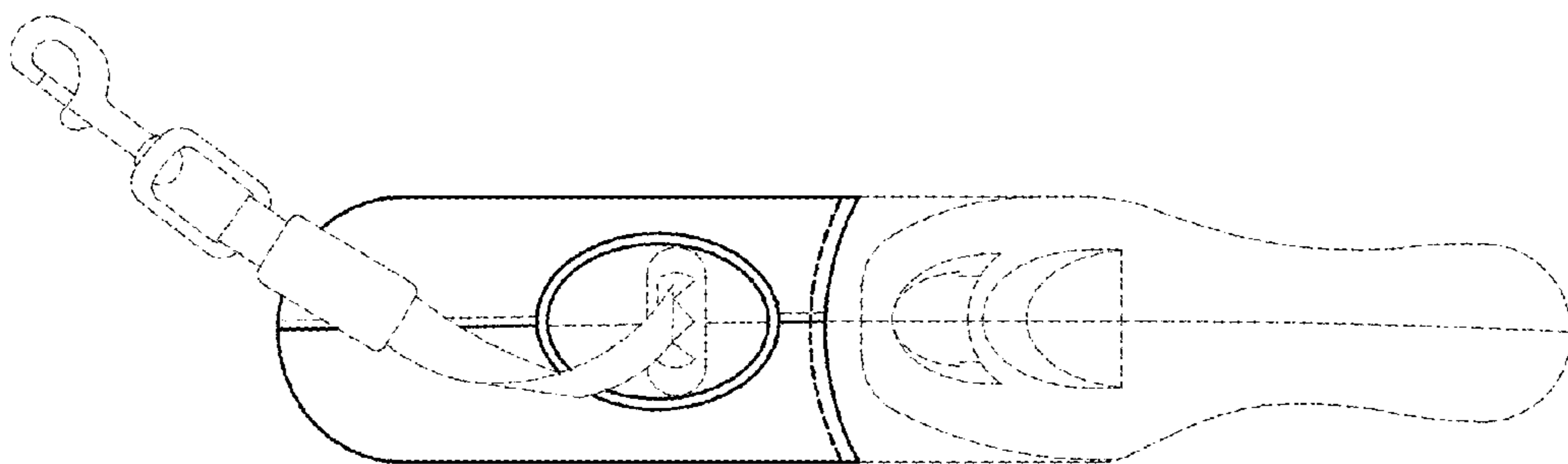


FIG. 4

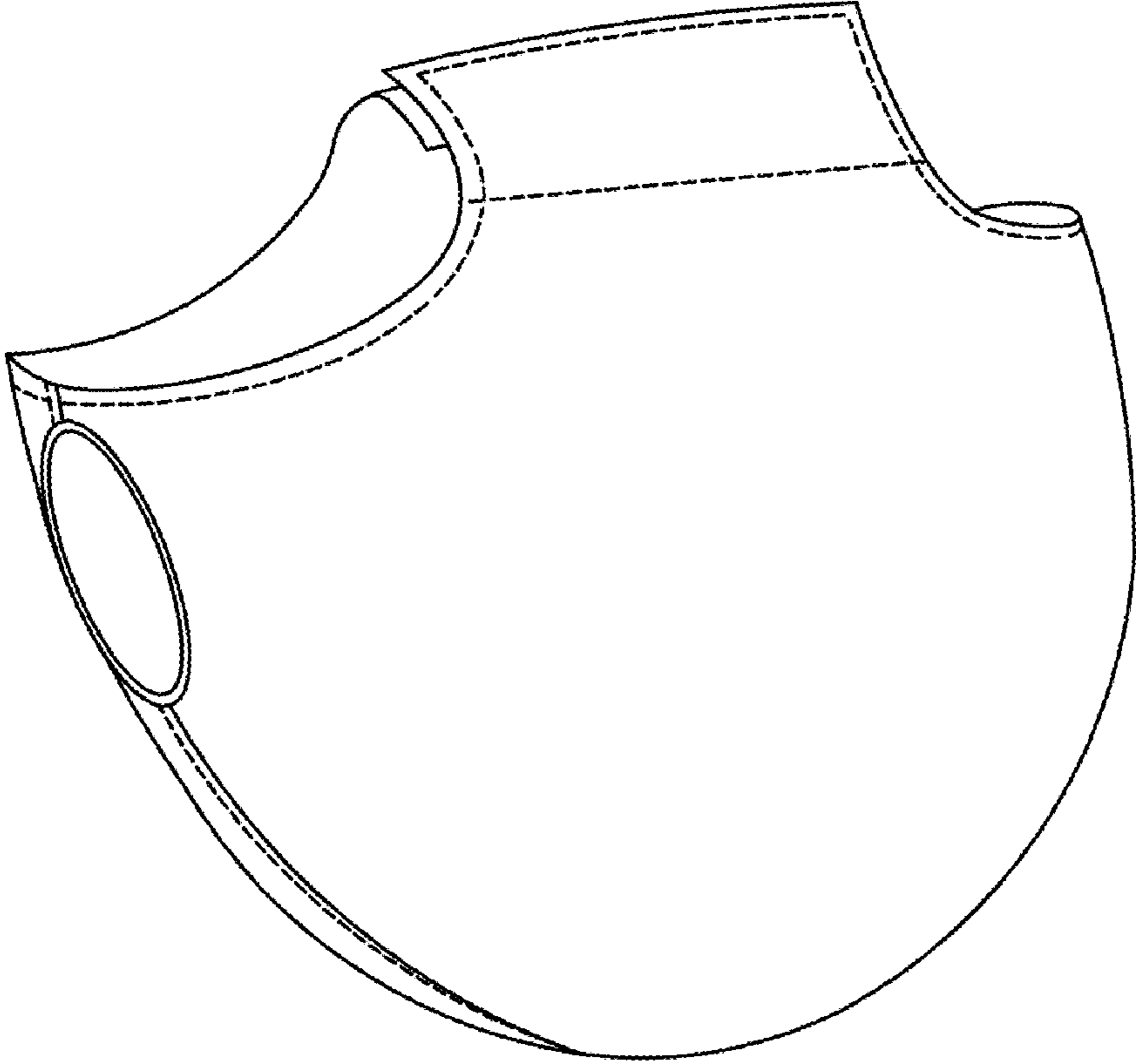


FIG. 7

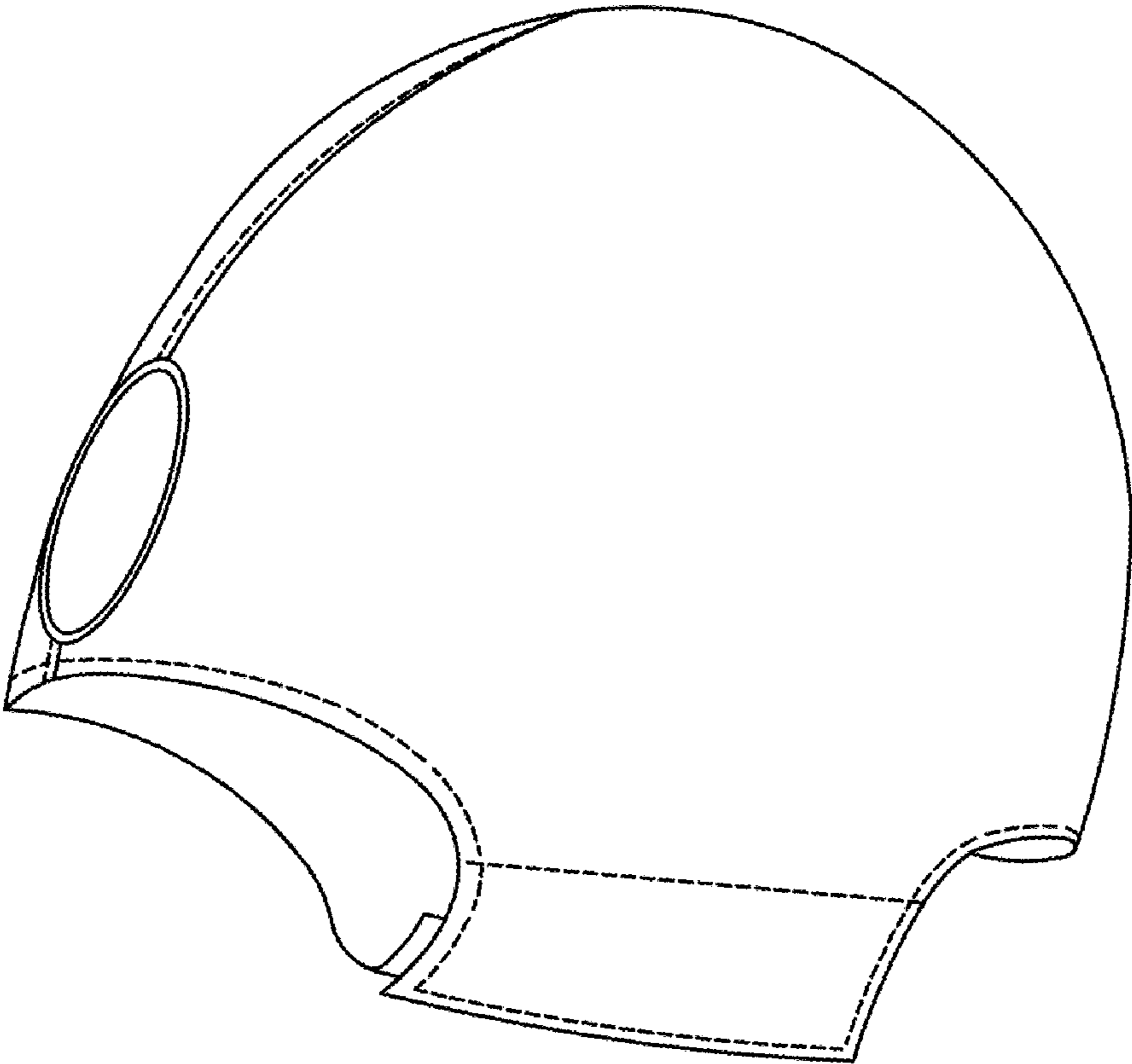


FIG. 8