



US00D678624S

(12) **United States Design Patent**
Willett

(10) **Patent No.:** **US D678,624 S**
(45) **Date of Patent:** **** Mar. 19, 2013**

- (54) **COMBINED PET FOOD AND WATER DISPENSER**
- (76) Inventor: **Shelley Sue Willett**, New Braunfels, TX (US)
- (**) Term: **14 Years**
- (21) Appl. No.: **29/427,156**
- (22) Filed: **Jul. 15, 2012**

Related U.S. Application Data

- (63) Continuation of application No. 12/620,521, filed on Nov. 17, 2009, now Pat. No. 8,245,665.
 - (51) **LOC (9) Cl.** **30-03**
 - (52) **U.S. Cl.** **D30/121; D30/132; D30/133**
 - (58) **Field of Classification Search** D30/133, D30/121, 122, 124, 127, 128, 132; 119/51.01, 119/61, 51.04, 53, 57.91, 54, 53.5, 52.4, 119/51.11, 63, 61.2, 52.1, 57.5, 57.6, 51.13, 119/62, 75, 500, 501; 239/7, 687, 379, 397.5; 222/199, 181.1, 181.2, 185.1, 557, 156, 485, 222/486, 548, 555; 220/200, 227, 247, 262; 221/174, 185.1, 289, 295, 296, 559; 454/35; 209/270, 283, 244; 52/194, 192; 49/279, 49/344, 357; D34/28
- See application file for complete search history.

(56) **References Cited**

U.S. PATENT DOCUMENTS

867,621 A *	10/1907	Tannehill	119/77
1,533,627 A *	4/1925	Averill	222/586
1,571,409 A *	2/1926	Hayes	119/77
1,801,932 A *	4/1931	Miller	119/77
1,994,859 A *	3/1935	Langum	43/131
2,148,180 A *	2/1939	Teigen	422/265
2,324,020 A *	7/1943	Pinson	119/77
2,369,496 A *	2/1945	Sengbusch	222/586
2,573,802 A *	11/1951	Mitchell	119/77
2,690,280 A *	9/1954	Henningsen	222/457
3,568,875 A	3/1971	Olan	
3,648,660 A	3/1972	Esquival	
3,720,184 A *	3/1973	Pearce	119/51.5
3,730,141 A *	5/1973	Manning et al.	119/51.5
3,763,826 A	10/1973	Portelli	
D232,847 S *	9/1974	Okubo	D30/121

D233,642 S *	11/1974	Arnold	D7/628
D234,144 S *	1/1975	Fassauer	D30/132
3,920,224 A *	11/1975	Fassauer	366/131
4,034,715 A *	7/1977	Arner	119/51.5
4,044,722 A	8/1977	Bradshaw	
4,069,793 A	1/1978	Gower	
4,079,699 A	3/1978	Longmore et al.	
D251,392 S *	3/1979	Futers et al.	D30/122
4,176,767 A	12/1979	Franche, IV	
4,203,526 A *	5/1980	Stoll, III	220/649
D277,041 S *	1/1985	Nichols	D34/39
4,573,434 A *	3/1986	Gardner	119/77
4,651,679 A *	3/1987	Fassauer	119/51.5
4,665,862 A	5/1987	Pitchford, Jr.	
4,688,520 A	8/1987	Parks	
4,721,063 A *	1/1988	Atchley	119/52.1
4,756,277 A	7/1988	Peng	
4,782,790 A	11/1988	Batson	

(Continued)

OTHER PUBLICATIONS

Screen shots from the simpetsolutions.com website. Simpet Solutions, Inc. (Plymouth, IN). Showing the prior art pet feeders sold under the brand name "The Feeding Friend". Noted in specification ¶ [0003] of U.S. Appl. No. 12/620,521. 7 pages, Oct. 2009.

(Continued)

Primary Examiner — Susan Moon Lee
(74) *Attorney, Agent, or Firm* — Gordon G. Waggett, P.C.

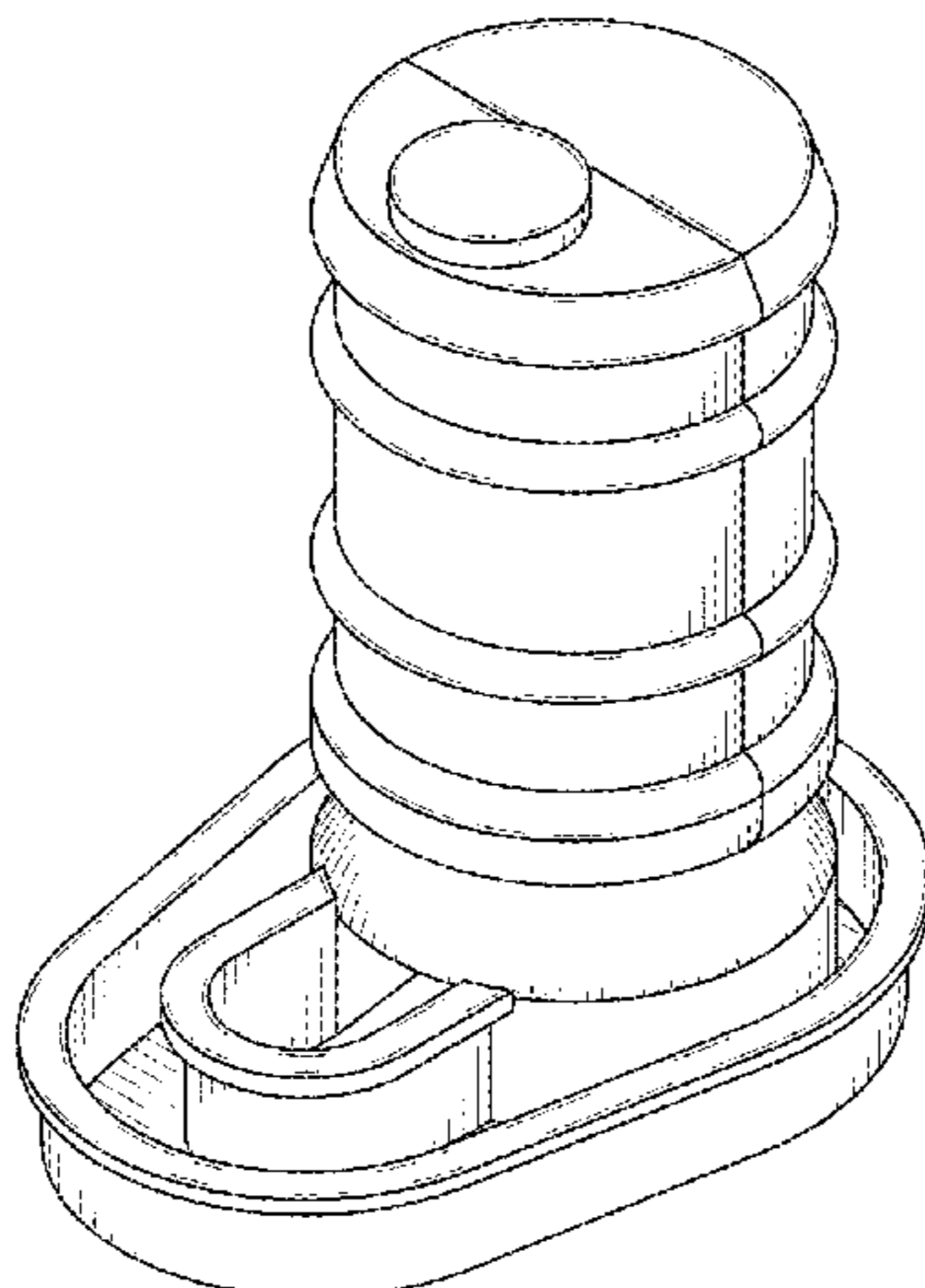
(57) **CLAIM**

I claim the ornamental design for a combined pet food and water dispenser, as shown.

DESCRIPTION

FIG. 1 is a front perspective view of a combined pet food and water dispenser showing my new design.
FIG. 2 is a front view thereof.
FIG. 3 is a back view thereof.
FIG. 4 is a left side view thereof.
FIG. 5 is a right side view thereof.
FIG. 6 is a top view thereof; and,
FIG. 7 is a bottom view thereof.

1 Claim, 2 Drawing Sheets



U.S. PATENT DOCUMENTS

4,800,844	A	1/1989	Van Gilst	
4,823,738	A	4/1989	Gold	
4,840,143	A	6/1989	Simon	
4,964,535	A	10/1990	Curwen	
4,966,099	A	10/1990	Arney	
D313,330	S *	1/1991	Brusa	D7/307
5,009,310	A	4/1991	Finney	
5,016,572	A	5/1991	Weber et al.	
5,148,768	A	9/1992	Hinton	
5,165,365	A	11/1992	Thompson	
D334,251	S *	3/1993	Tiu	D30/122
D335,744	S *	5/1993	Small et al.	D34/39
D336,702	S *	6/1993	Brethouwer	D34/1
5,299,529	A	4/1994	Ramirez	
D350,842	S *	9/1994	VanSkiver	D30/121
D351,689	S *	10/1994	VanSkiver	D30/121
D353,914	S *	12/1994	Sahm, Jr.	D30/121
5,404,838	A *	4/1995	Khan	119/52.1
5,433,171	A	7/1995	Ewell	
D364,942	S *	12/1995	VanSkiver et al.	D30/121
5,488,927	A	2/1996	Lorenzana et al.	
D371,643	S *	7/1996	Lillelund et al.	D30/122
D374,109	S *	9/1996	Lillelund et al.	D30/121
D374,516	S *	10/1996	Lillelund et al.	D30/132
D383,797	S *	9/1997	Finnegan	D30/132
5,687,783	A *	11/1997	Finnegan	141/364
5,699,753	A *	12/1997	Aldridge, III	119/52.1
5,711,248	A *	1/1998	Boyd	119/77
5,730,082	A	3/1998	Newman	
D393,521	S *	4/1998	Morneau	D34/39
5,794,560	A *	8/1998	Terenzi	119/51.11
5,819,686	A	10/1998	Credeur	
D403,131	S *	12/1998	Bowell et al.	D30/132
5,845,600	A *	12/1998	Mendes	119/51.5
5,871,280	A	2/1999	Watters	
D406,924	S *	3/1999	Kolozsvari	D30/121
D406,926	S *	3/1999	Kolozsvari	D30/132
6,055,932	A	5/2000	Weber	
6,073,581	A	6/2000	Wang	
6,079,361	A *	6/2000	Bowell et al.	119/72
6,135,056	A	10/2000	Kuo	
6,142,099	A	11/2000	Lange, Jr.	
6,145,473	A	11/2000	Keisner	
D436,282	S *	1/2001	Kauzlarich et al.	D7/306
D441,998	S *	5/2001	Kauzlarich et al.	D6/542
6,227,143	B1	5/2001	Papkov	
D443,780	S *	6/2001	Kauzlarich et al.	D6/542
D445,001	S *	7/2001	Lin	D7/510
D455,526	S *	4/2002	Chrisco et al.	D30/121
6,378,460	B1	4/2002	Skurdalsvold et al.	
6,401,657	B1 *	6/2002	Krishnamurthy	119/51.11
6,467,428	B1	10/2002	Andrisin et al.	
6,477,981	B1 *	11/2002	Harper	119/52.4
6,739,284	B1 *	5/2004	Olive	119/74
6,789,503	B1 *	9/2004	Gao	119/51.11
D497,224	S *	10/2004	Remy	D30/121
6,845,735	B1	1/2005	Northrop et al.	
6,863,025	B2 *	3/2005	Ness	119/72
6,866,004	B1 *	3/2005	Lush	119/52.1
6,880,484	B1 *	4/2005	Lee	119/74
6,886,739	B1	5/2005	Tsengas	
6,928,954	B2 *	8/2005	Krishnamurthy	119/51.5
6,971,331	B1 *	12/2005	Rohrer	119/77
6,988,464	B1	1/2006	Rutledge	
6,988,465	B2	1/2006	Park	
7,040,249	B1 *	5/2006	Mushen	119/51.5
D537,353	S *	2/2007	Bailey et al.	D9/540
D540,492	S *	4/2007	Gorr	D30/131
7,270,081	B2	9/2007	Park	
D552,802	S	10/2007	Kuster	
7,284,499	B1	10/2007	Kuster	
D563,605	S	3/2008	Morris et al.	
7,337,746	B2	3/2008	Clark et al.	
7,490,739	B2 *	2/2009	Prabucki	222/146.6
D602,653	S	10/2009	Mendenhall	
D603,575	S *	11/2009	Kerman et al.	D34/39
D607,625	S *	1/2010	Landry	D34/5
D612,215	S *	3/2010	Bergen	D7/636
D642,335	S *	7/2011	Weber	D30/121
D655,053	S *	2/2012	Weber	D30/121
8,245,665	B2 *	8/2012	Willett	119/51.5
2002/0096120	A1	7/2002	Busha	
2003/0015144	A1	1/2003	Bennett et al.	
2003/0026875	A1	2/2003	Aguilar et al.	
2003/0106498	A1	6/2003	Mersits et al.	
2003/0116093	A1	6/2003	Springett	
2004/0118356	A1 *	6/2004	Krishnamurthy	119/74
2004/0134438	A1	7/2004	Ticktin	
2005/0051566	A1	3/2005	Leykin et al.	
2005/0252457	A1	11/2005	Morosin et al.	
2006/0060153	A1	3/2006	Washington et al.	
2006/0283397	A1	12/2006	Loeffelholz	
2007/0095296	A1	5/2007	Zuccara	
2007/0095297	A1	5/2007	Boyd	
2007/0107667	A1	5/2007	Morris	
2007/0227461	A1	10/2007	Chern	
2008/0078330	A1 *	4/2008	McCallum et al.	119/72
2010/0122660	A1	5/2010	Willett	

OTHER PUBLICATIONS

Prior art Fool-A-Bug® bowl offered by the Petmate® company (Dorskocil Manufacturing Company, Inc., Arlington, Texas). 1-page screen shot from the petmate.com website. Noted in specification ¶ [0008] of U.S. Appl. No. 12/620,521, filed Jan. 2008.

Best, Rody L., et al., "Evaluation of Fool-a-bug® V-m Protector as an Exclusion Device Against the Red Imported Fire Ant and the German Cockroach". Available online [http:// fireant. tamu. edu/ research/arr/ category/ non-chemical/97-99pg65/97-99pg65.pdf](http://fireant.tamu.edu/research/arr/category/non-chemical/97-99pg65/97-99pg65.pdf). 5 pages. Although the article is not dated, it appears to relate to testing performed on this bowl in late 1998- early 1999.

Screen shots from the petmate.com website regarding the prior art LeBistro brand of Feeders and Waterers. 4 pages. [http:// www. petmate. com/Products/LeBistro-Feeder-and-Waterer_24302.aspx](http://www.petmate.com/Products/LeBistro-Feeder-and-Waterer_24302.aspx). Noted in specification ¶ [0009] of U.S. Appl. No. 12/620,521, filed Oct. 2009.

2008 Petmate Lifestyles Brochure. Available online from [http:// www. petmate. com/catalogs.aspx](http://www.petmate.com/catalogs.aspx): [http://72. 249. 40. 247/ pdf/ 2008_Petmate_Lifestyles_Brochure.pdf](http://72.249.40.247/pdf/2008_Petmate_Lifestyles_Brochure.pdf). 2 pages.

2009 Mass Petmate Catalog. Available online from [http:// www. petmate. com/catalogs.aspx](http://www.petmate.com/catalogs.aspx): [http:// 72.249 .40. 247/pdf/2009_Mass_Petmate_Catalog.pdf](http://72.249.40.247/pdf/2009_Mass_Petmate_Catalog.pdf). 28 pages. See pp. 20-25, 28.

2009 Petmate Specialty Catalog. Available online from [http:// www. petmate. com/catalogs.aspx](http://www.petmate.com/catalogs.aspx): [http:// 72. 249. 40. 247/pdf/2009_Petmate_Specialty_Catalog.pdf](http://72.249.40.247/pdf/2009_Petmate_Specialty_Catalog.pdf). 32 pages. See pp. 23-29, 32.

Screenshots from website of Perfectpetfeeder.com regarding the prior art "Perfect Petfeeder" brand automatic feeder sold by Pillar Pet Products, Inc. (Fall City, WA) (perfectpetfeeder.com). 2 pages. Available online at [http:// www. perfectpetfeeder. com/](http://www.perfectpetfeeder.com/). Noted in specification ¶ [0009] of U.S. Appl. No. 12/620,521, filed Oct. 2009.

Dog News Today, "Keep Ants Out of Your Dogs Food", Feb. 4, 2007. 2 pages. Available online at [http:// dognewstoday. blogspot. com/ 2007/02/keep-ants-out-of-your-dogs-food.html](http://dognewstoday.blogspot.com/2007/02/keep-ants-out-of-your-dogs-food.html).

PCT/US2009/064901 (counterpart to U.S. Appl. No. 12/620,521): International Search Report, published Sep. 12, 2010, 3 pages. Cites 4 references, each relevant to claims 1-6 of related utility application as filed: Kuster US 7284499 (noted above); Busha US 20020096120 (noted above); Simon US 4840143 (noted above); and Springett 20020096120 (noted above).

PCT/US2009/064901 (counterpart to U.S. Appl. No. 12/620,521): PCT Written Opinion of the International Searching Authority dated Jun. 14, 2010 (3 pages).

Notice of Allowance and Fees Due and Notice of References Cited in U.S. Appl. No. 12/620,521 mailed May 9, 2012 (8 pages).

* cited by examiner

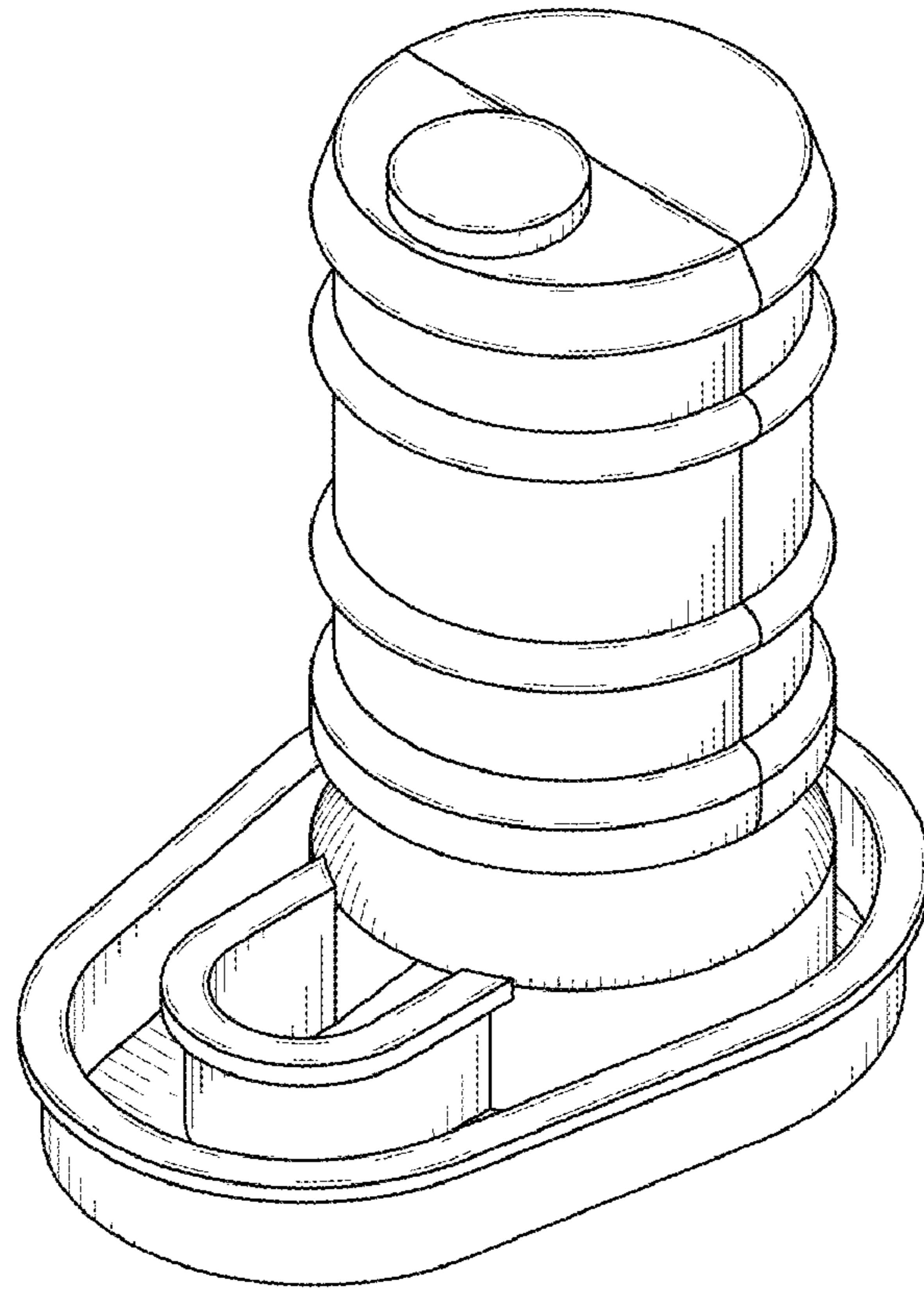


FIG. 1

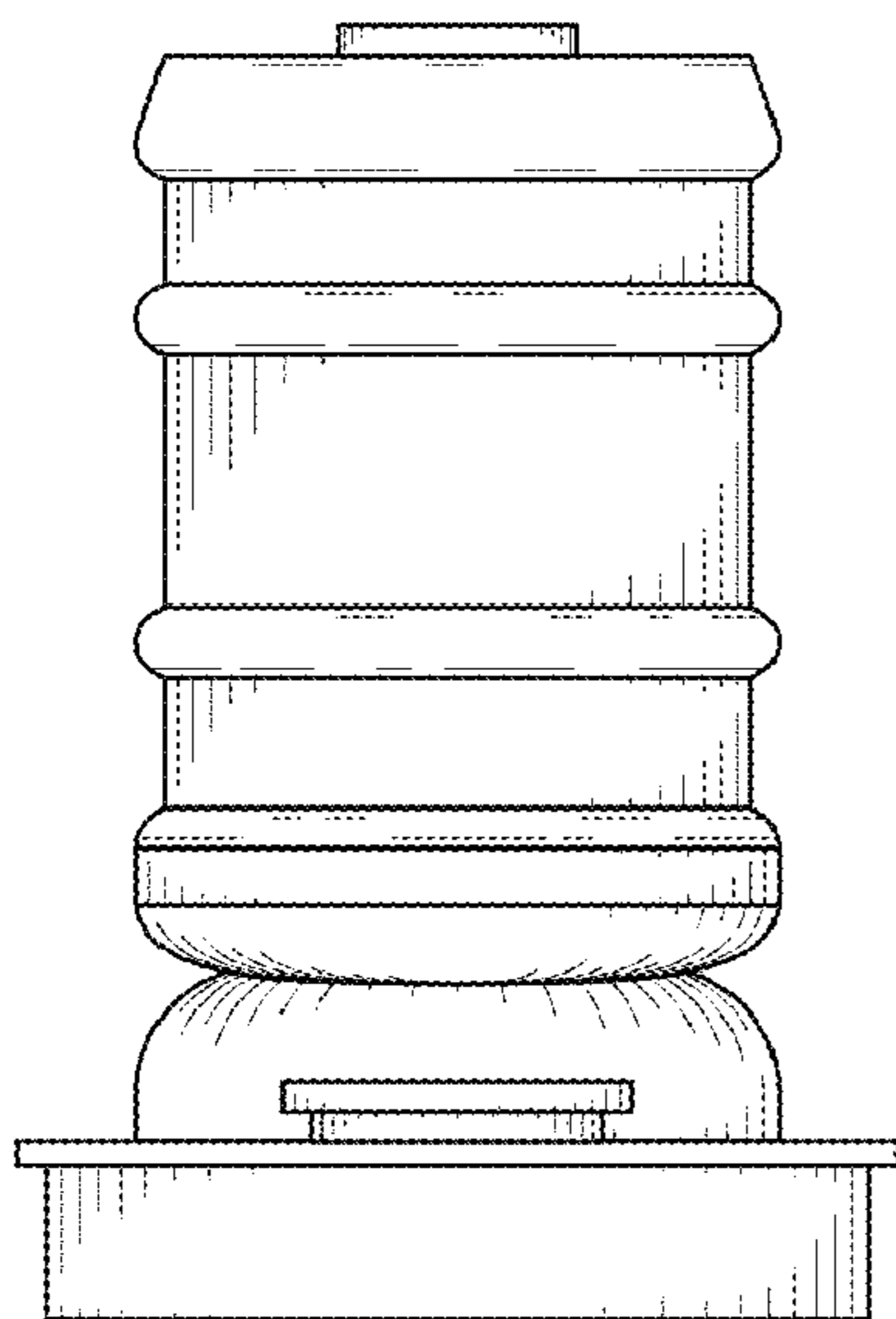


FIG. 2

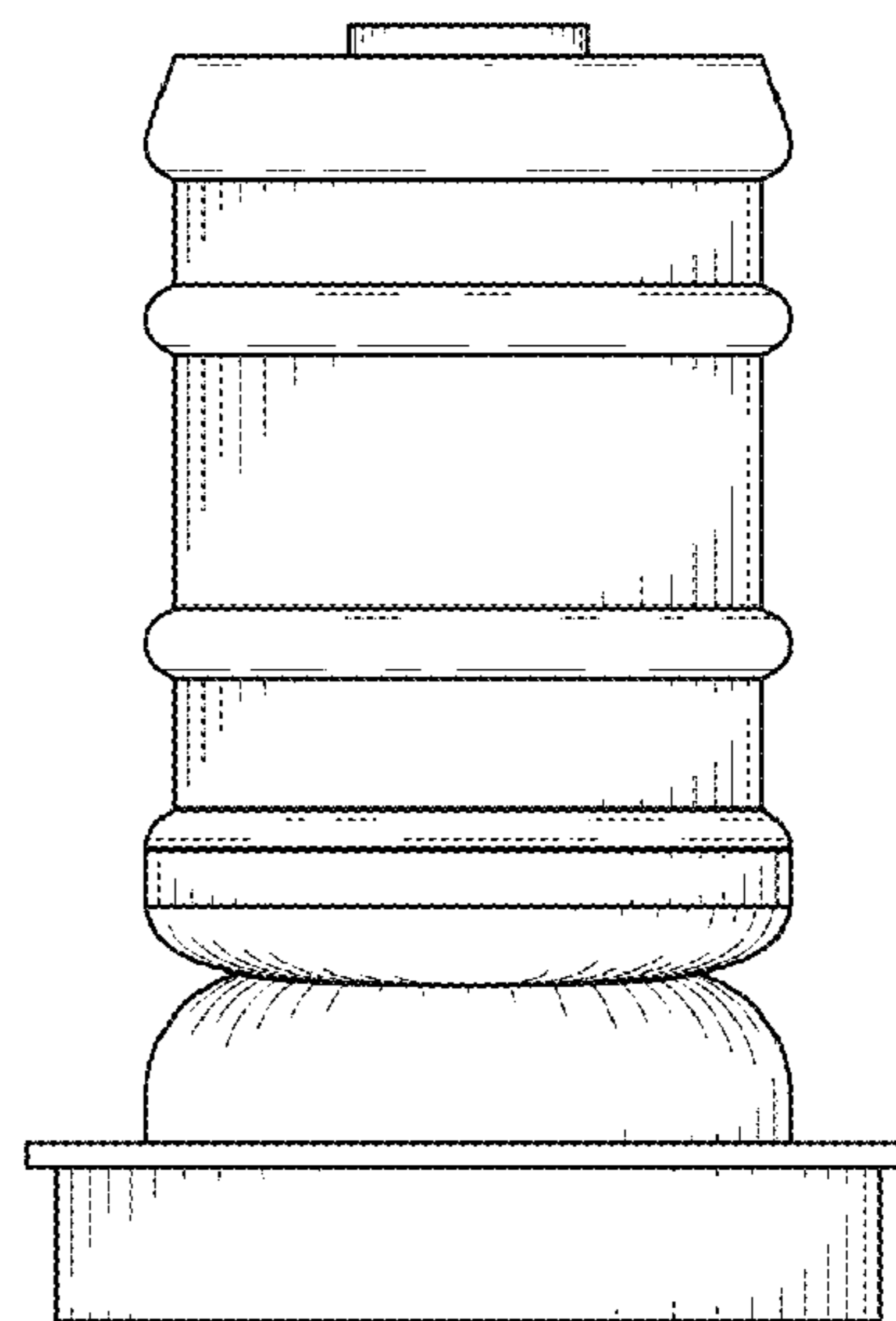


FIG. 3

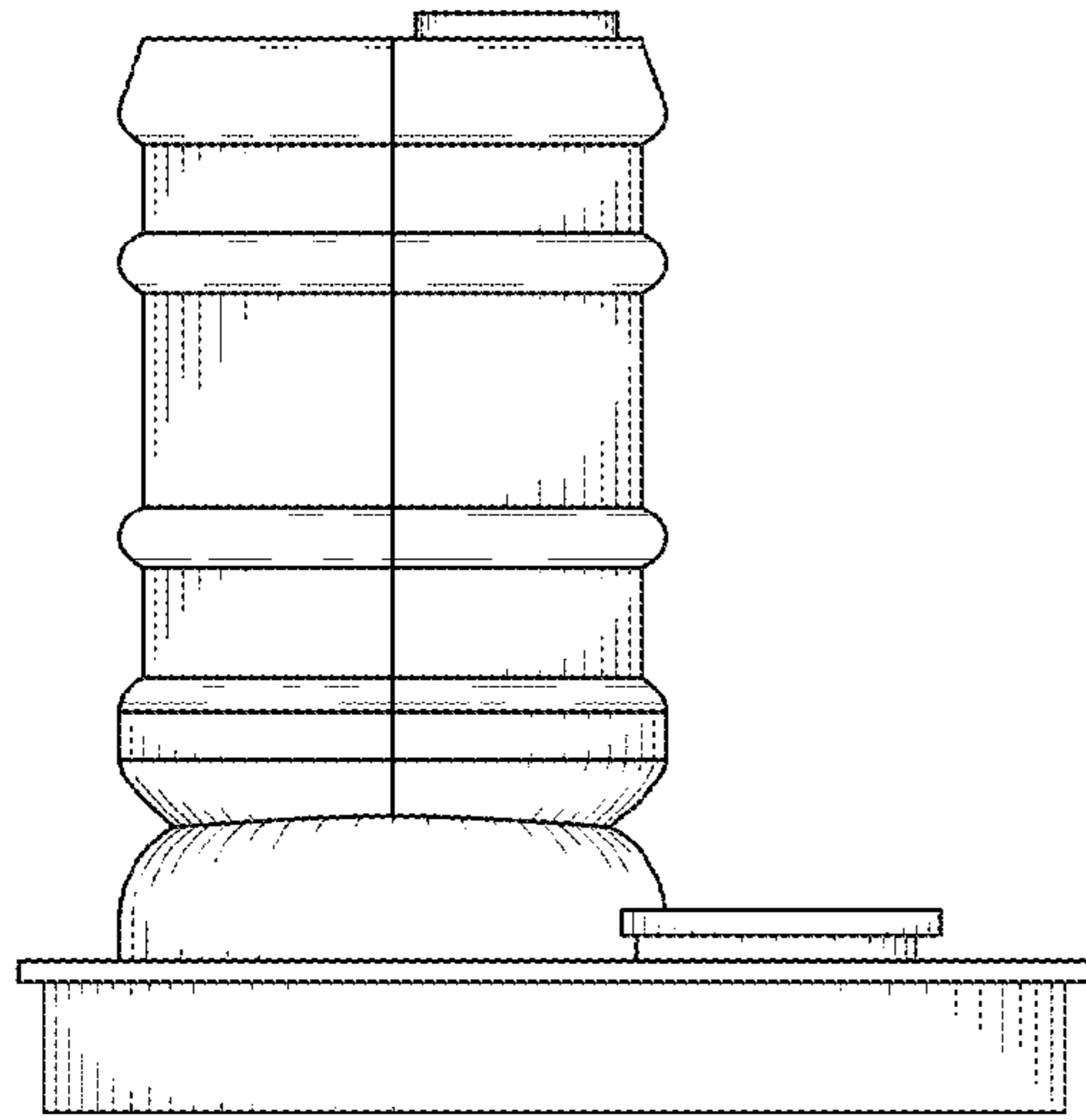


FIG. 4

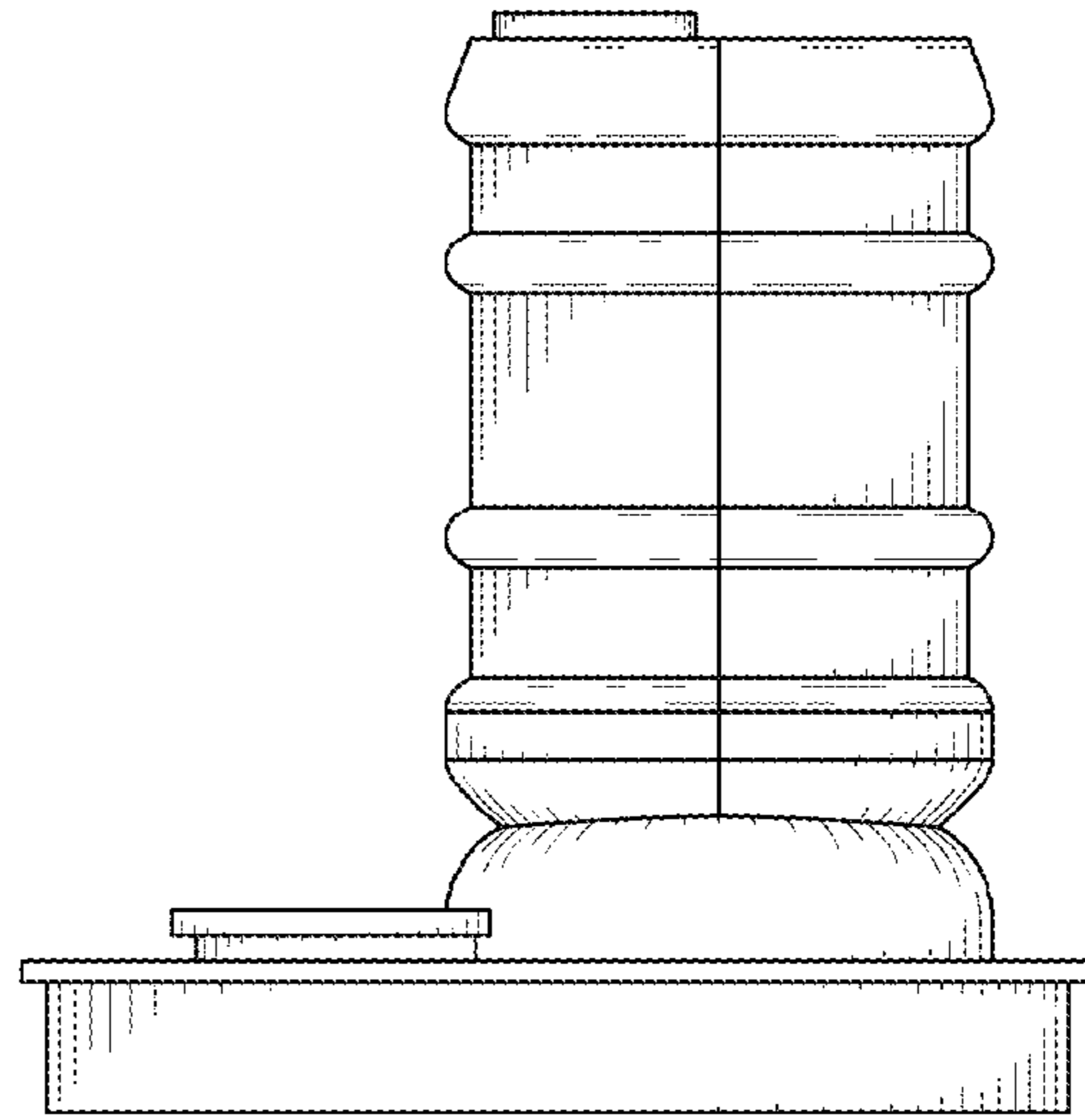


FIG. 5

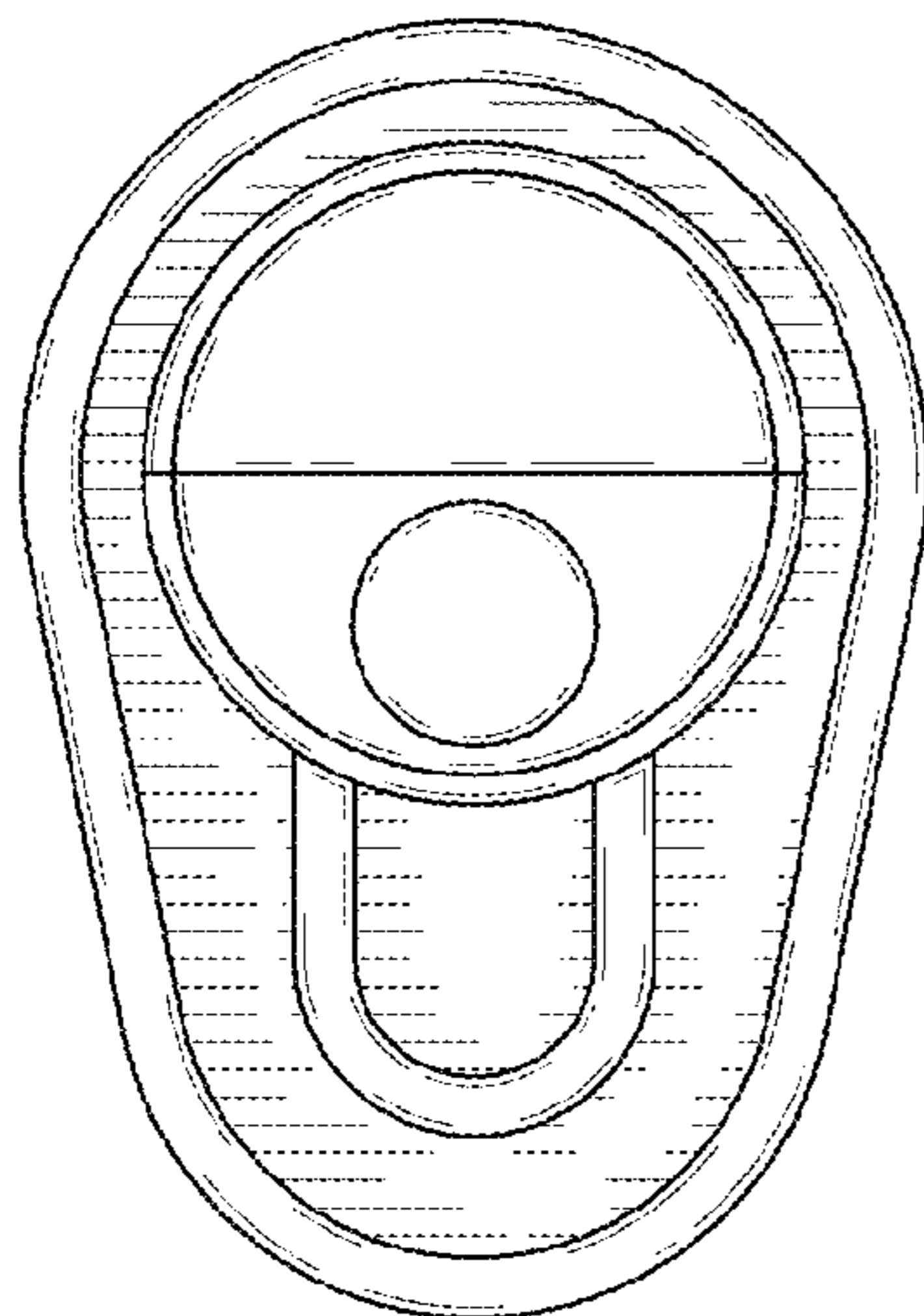


FIG. 6

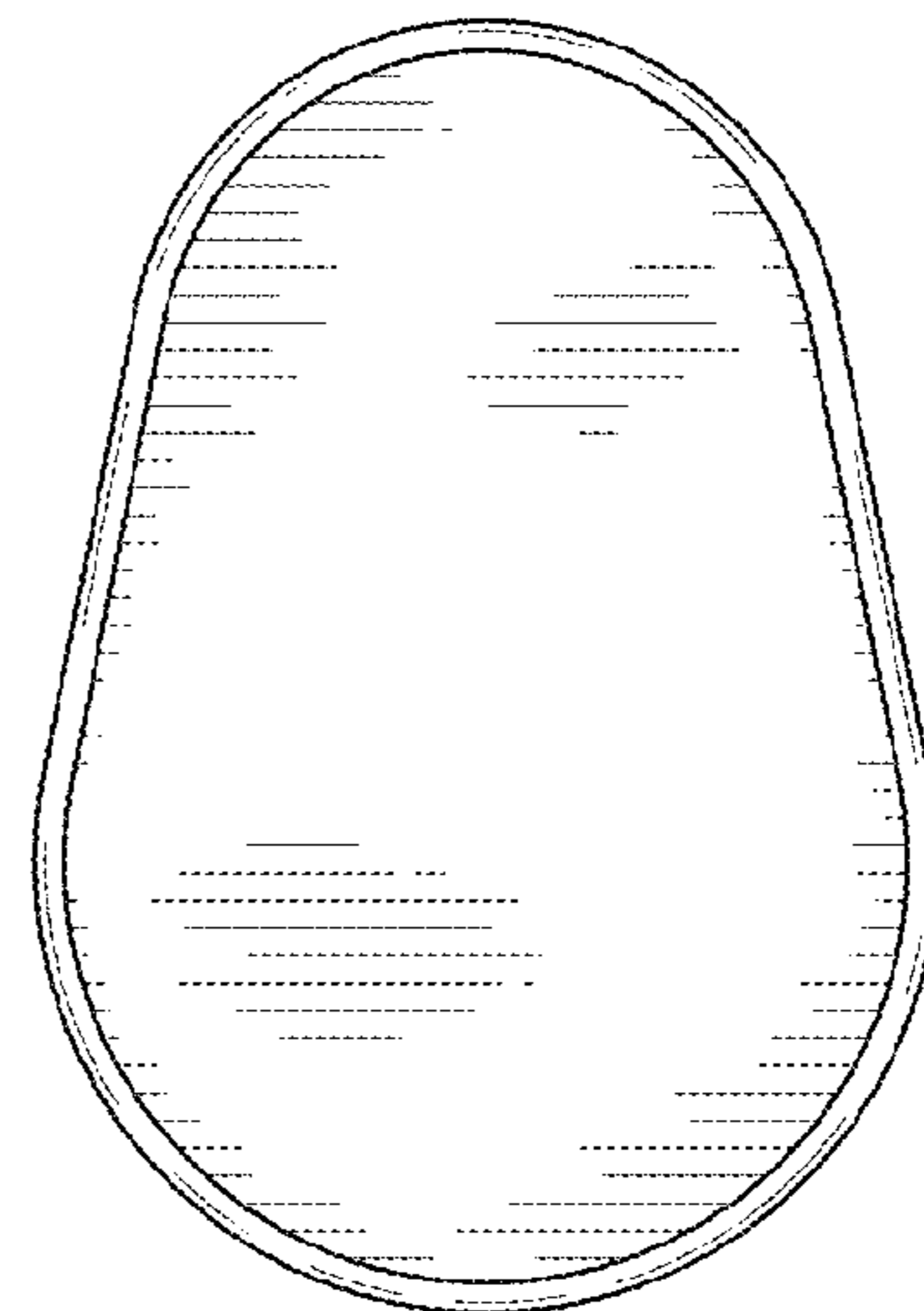


FIG. 7