

US00D678623S

(12) **United States Design Patent**
Iranyi et al.

(10) **Patent No.:** **US D678,623 S**
(45) **Date of Patent:** **** Mar. 19, 2013**

(54) **PET CAGE**

(75) Inventors: **Daniel Iranyi**, Zurich (CH); **Nico Spinelli**, Zurich (CH); **Miriam Nietlispach**, Zurich (CH); **Reto Schneller**, Zurich (CH)

(73) Assignee: **Brueggli**, Romanshorn (CH)

(**) Term: **14 Years**

(21) Appl. No.: **29/418,479**

(22) Filed: **Apr. 17, 2012**

(30) **Foreign Application Priority Data**

Oct. 17, 2011 (EP) 001932955-0001

(51) **LOC (9) Cl.** **30-02**

(52) **U.S. Cl.** **D30/109**

(58) **Field of Classification Search** D30/108-109,
D30/112-117, 199; 119/452-453, 482, 489,
119/496-501; D3/273, 276, 288-289, 301;
190/107-108

See application file for complete search history.

(56) **References Cited**

U.S. PATENT DOCUMENTS

80,561	A *	8/1868	Osborn	119/459
4,484,540	A *	11/1984	Yamamoto	119/497
5,307,758	A *	5/1994	Ho	119/497
5,694,886	A *	12/1997	Hauck	119/497
5,803,018	A *	9/1998	Liou	119/461
5,890,329	A *	4/1999	Krueger	119/473

5,964,189	A *	10/1999	Northrop et al.	119/482
5,967,090	A *	10/1999	Hui	119/497
6,131,534	A *	10/2000	Axelrod	119/499
D444,271	S *	6/2001	Farrugia	D30/109
6,302,061	B1 *	10/2001	Weatherby et al.	119/498
6,863,030	B2 *	3/2005	Axelrod	119/498
D545,004	S *	6/2007	Harper et al.	D30/108
D566,907	S *	4/2008	Barca	D30/109
D574,559	S *	8/2008	You et al.	D30/109
7,584,720	B1 *	9/2009	Jackson	119/472
D636,538	S *	4/2011	Ragonetti et al.	D30/108
D639,554	S *	6/2011	Sosnovsky et al.	D3/276
D664,302	S *	7/2012	Lee et al.	D30/112
D665,951	S *	8/2012	Lloyd	D30/109
2005/0284405	A1 *	12/2005	Pomakoy-Poole et al.	119/497

* cited by examiner

Primary Examiner — Cathy A MacCormac

(74) *Attorney, Agent, or Firm* — Caesar, Rivise, Bernstein, Cohen & Pokotilow, Ltd.

(57) **CLAIM**

The ornamental design for a pet cage, as shown and described.

DESCRIPTION

FIG. 1 is a top view of a pet cage in accordance with the invention.

FIG. 2 is a left front perspective view thereof.

FIG. 3 is a front view thereof, the back view is identical to the front view.

FIG. 4 is a bottom view; and,

FIG. 5 is a right side view thereof, the left side view is identical to the right side view.

1 Claim, 3 Drawing Sheets

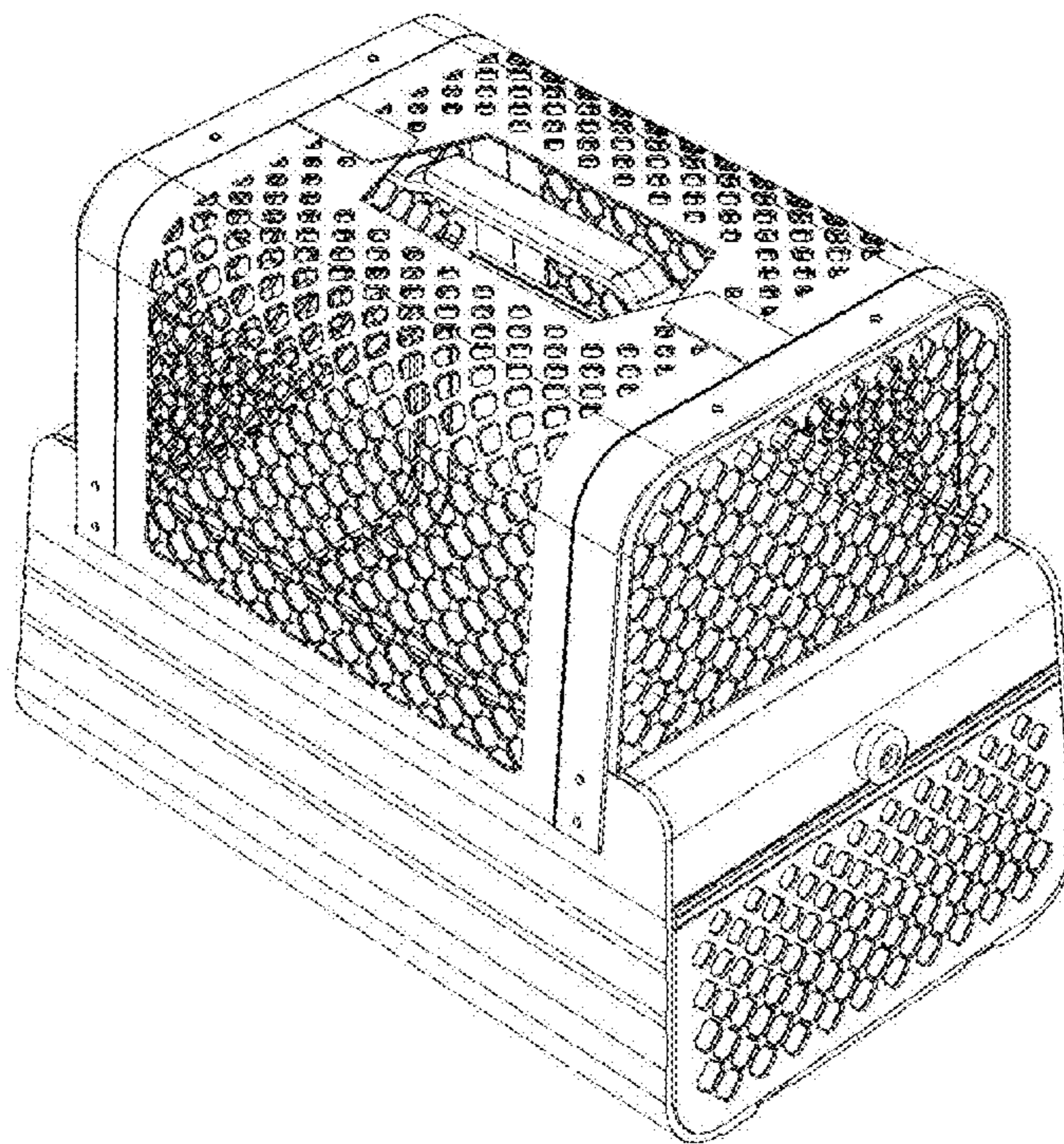


Fig. 1

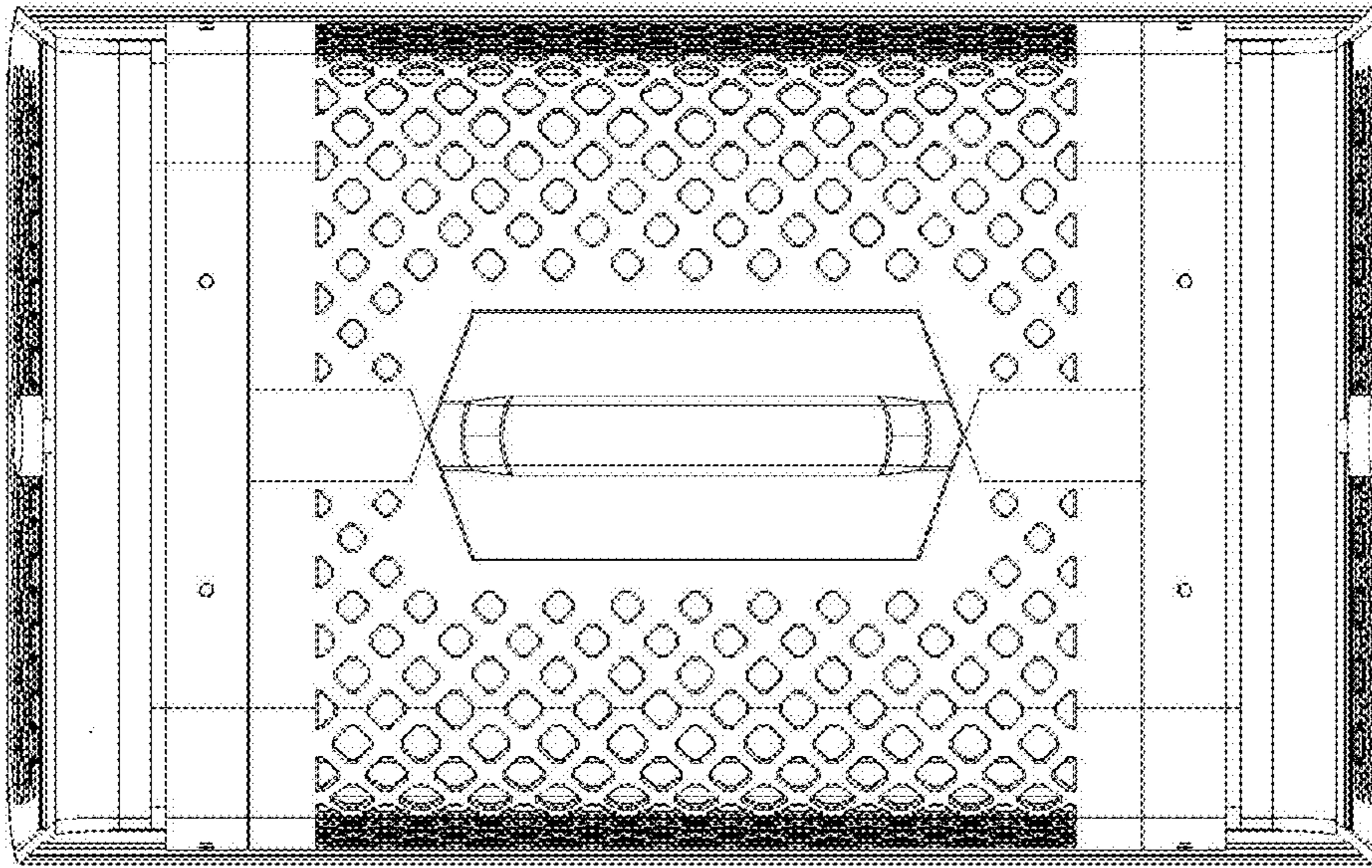
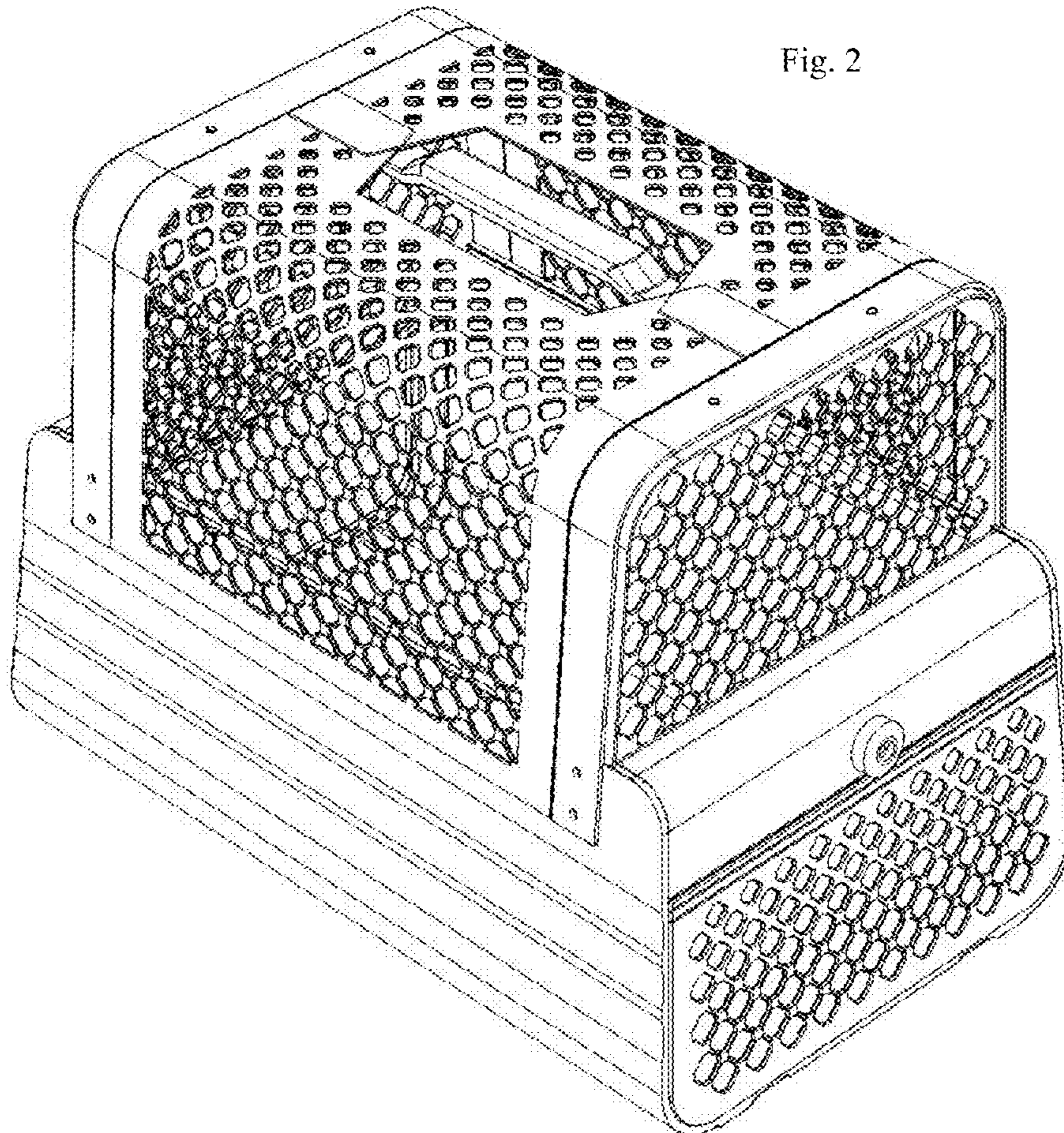


Fig. 2



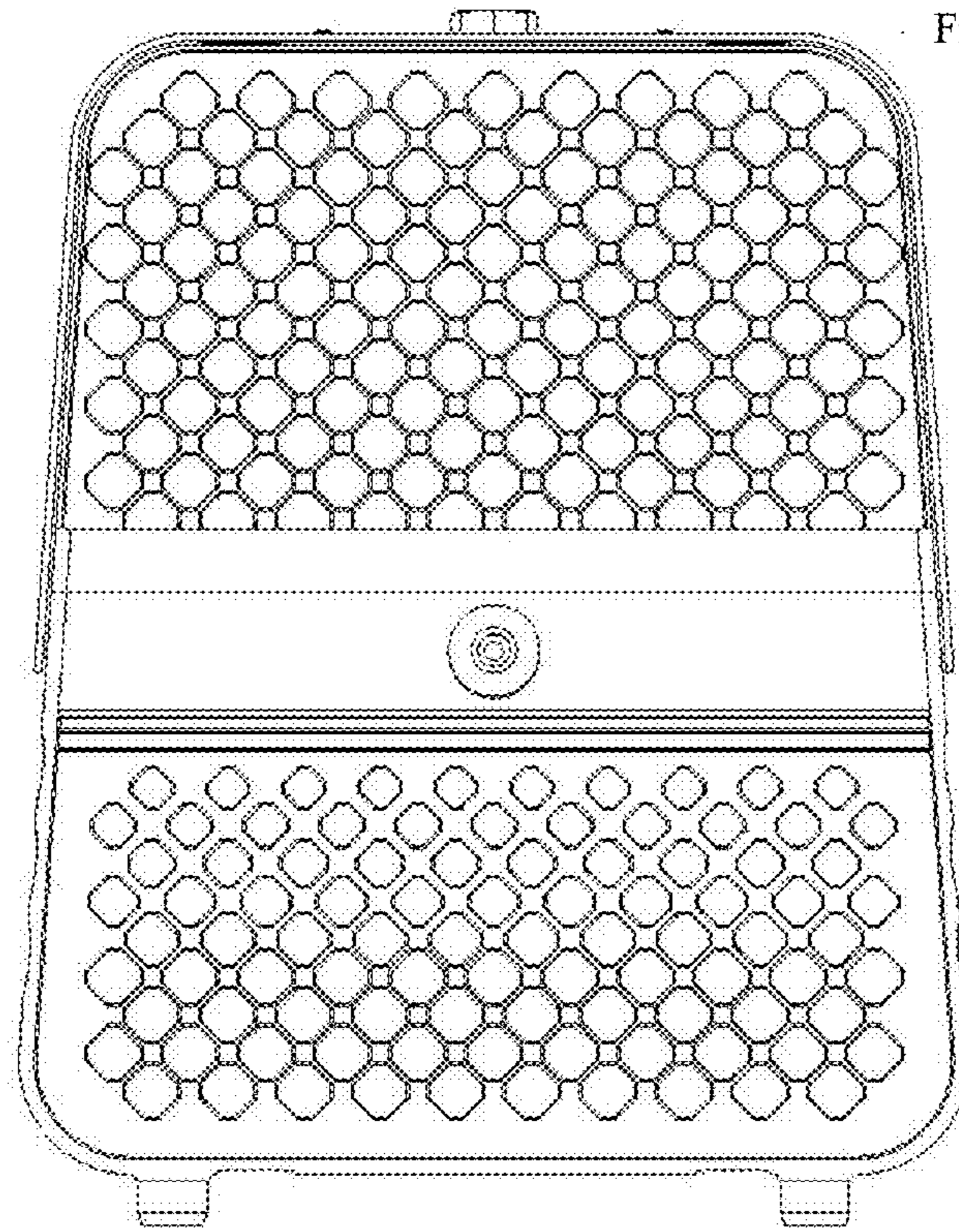


Fig. 3

Fig. 4

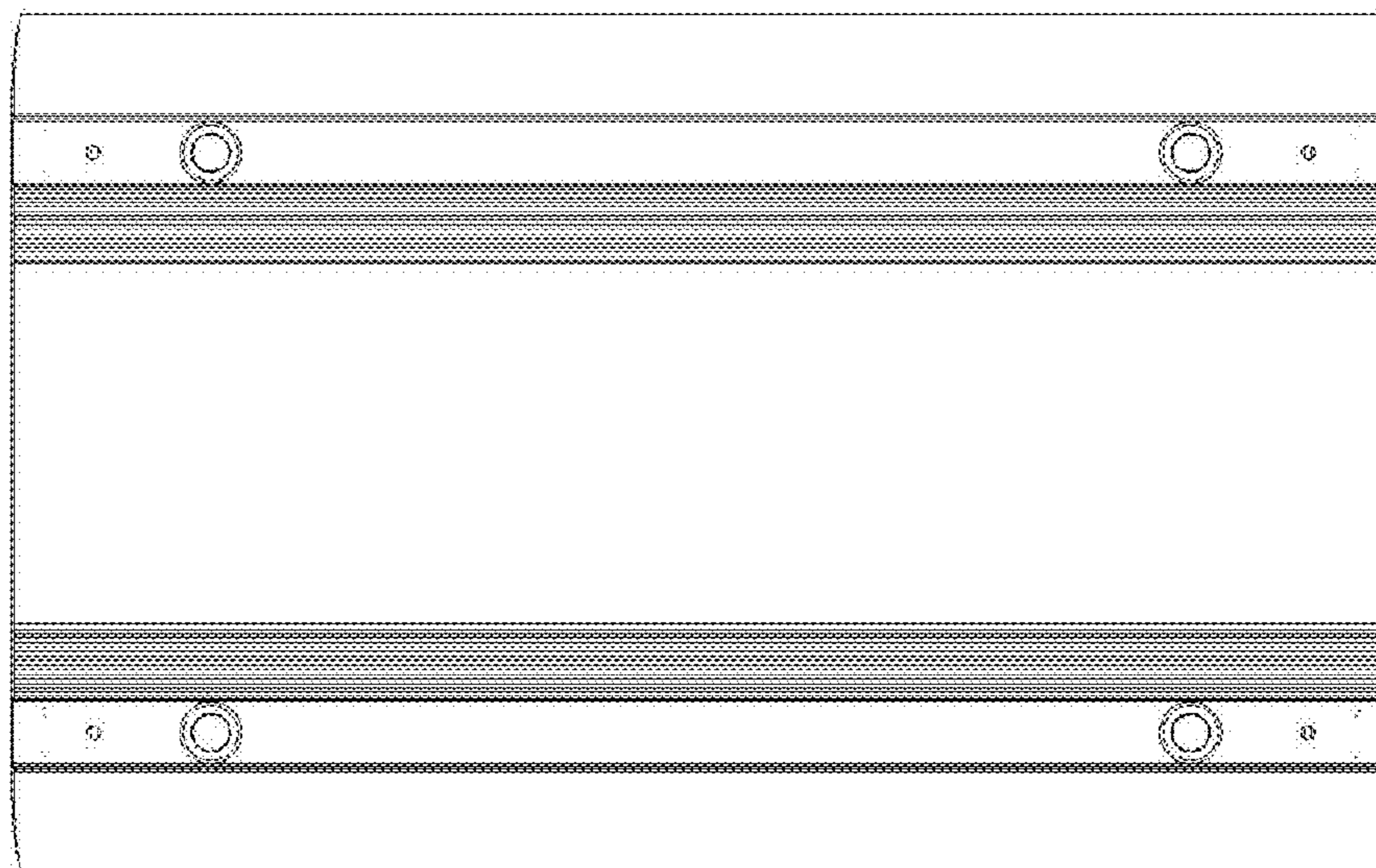


Fig. 5

