



US00D678622S

(12) **United States Design Patent**
Kang

(10) **Patent No.:** **US D678,622 S**
(45) **Date of Patent:** **** Mar. 19, 2013**

(54) **FIRE EXTINGUISHER**

(76) Inventor: **Yuen Bum Kang**, Daejeon (KR)

(**) Term: **14 Years**

(21) Appl. No.: **29/431,883**

(22) Filed: **Sep. 12, 2012**

(51) **LOC (9) Cl.** **29-01**

(52) **U.S. Cl.** **D29/129**

(58) **Field of Classification Search** D29/1,
D29/2, 3, 4, 5, 125, 129, 130; 252/3; D15/7,
D15/27; D12/95; 169/30, 48, 70, 72, 74,
169/84; 229/307, 308
See application file for complete search history.

(56) **References Cited**

U.S. PATENT DOCUMENTS

D165,018 S * 10/1951 Mitchison D29/129
D172,454 S * 6/1954 Wagner D29/129

3,258,423 A * 6/1966 Jablonski et al. 252/3
D350,839 S * 9/1994 Ledesma D29/125
D364,488 S * 11/1995 Nasin D29/129

* cited by examiner

Primary Examiner — Susan Bennett Hattan

Assistant Examiner — Barbara B Lohr

(74) *Attorney, Agent, or Firm* — Novick, Kim & Lee, PLLC;
Jae-Youn Kim; Harold Novick

(57) **CLAIM**

I claim the ornamental design for a fire extinguisher, as shown and described.

DESCRIPTION

FIG. 1 is a perspective view of a fire extinguisher, showing my new design;
FIG. 2 is a front elevational view thereof;
FIG. 3 is a rear elevational view thereof;
FIG. 4 is a left side elevational view thereof;
FIG. 5 is a right side elevational view thereof;
FIG. 6 is a top plan view thereof; and,
FIG. 7 is a bottom plan view thereof.

1 Claim, 5 Drawing Sheets

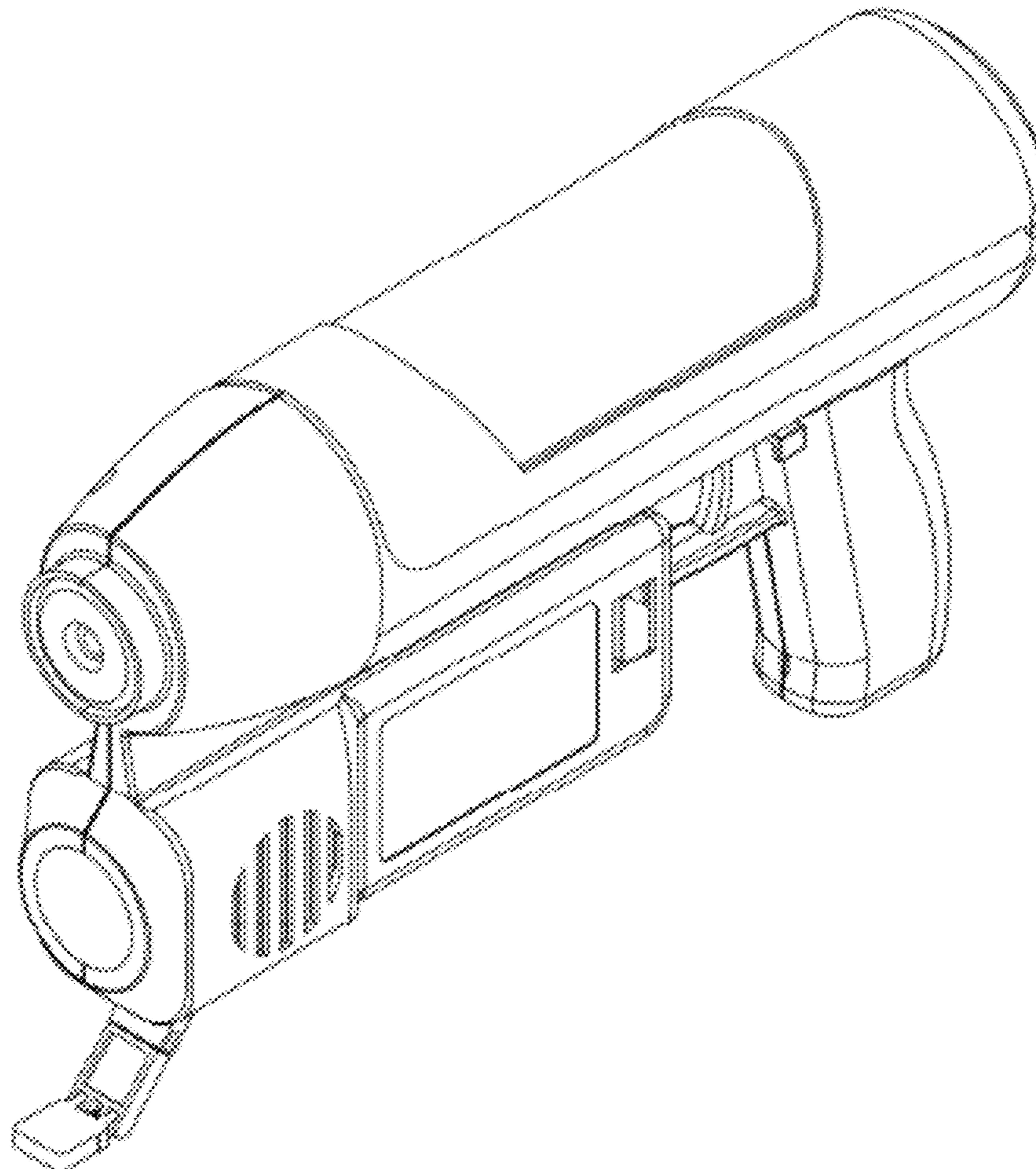


Fig. 1

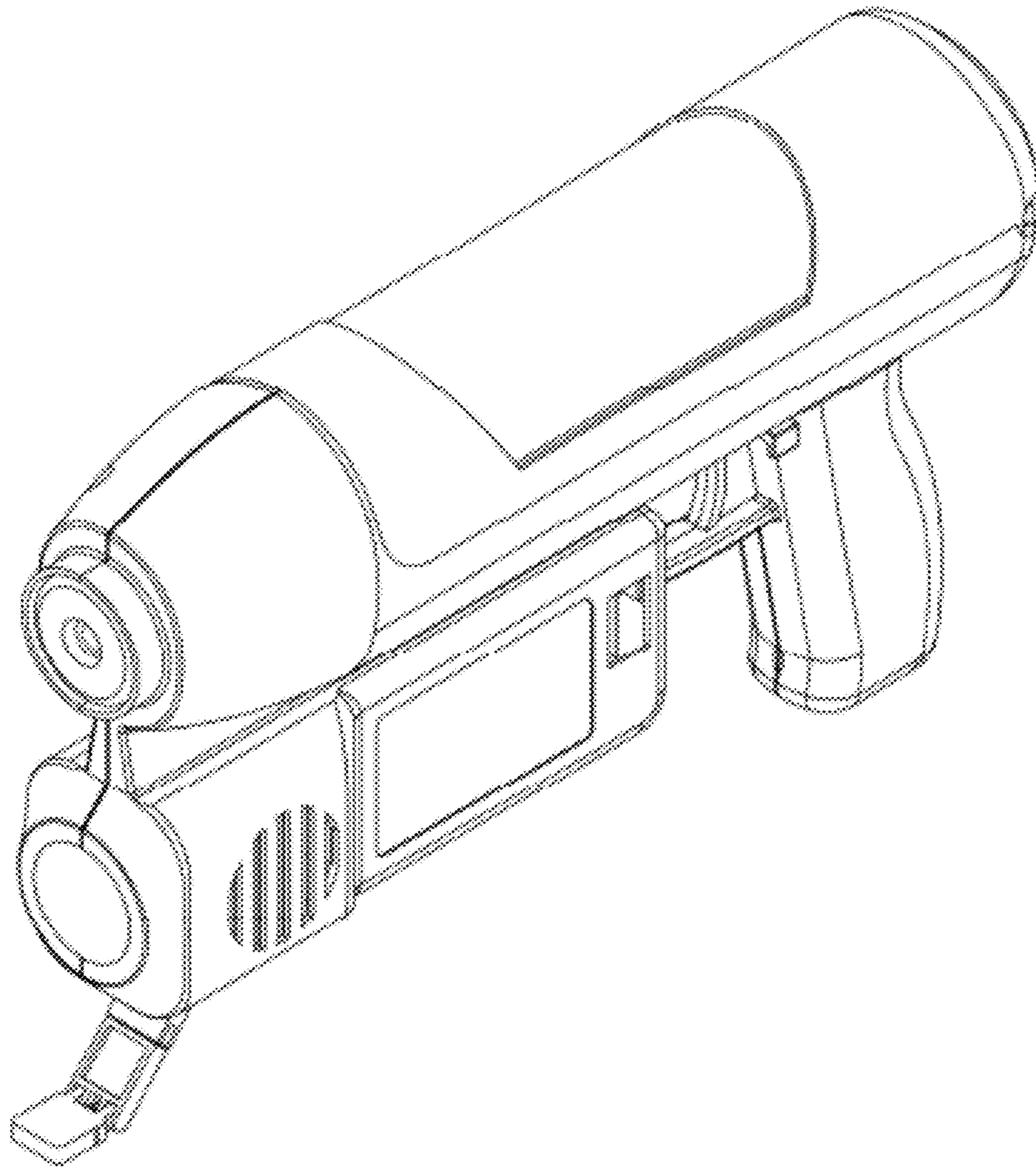


Fig. 2

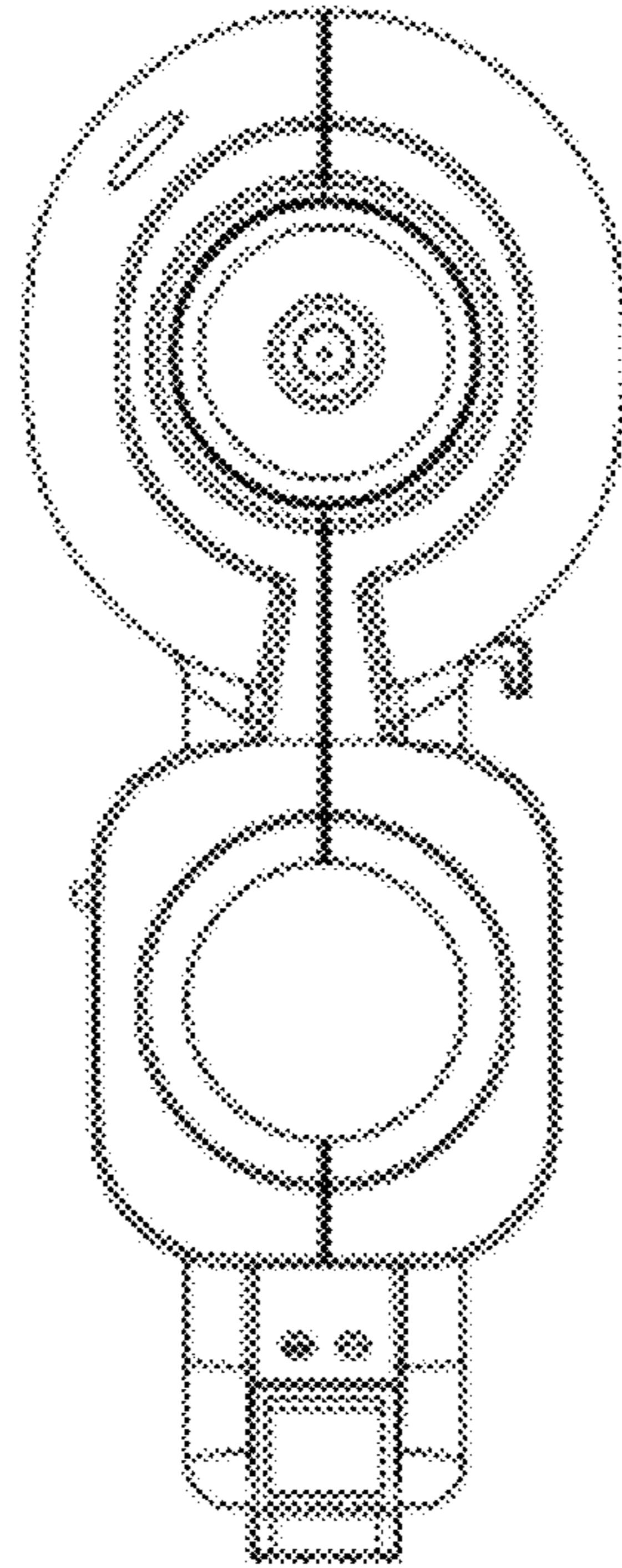


Fig. 3

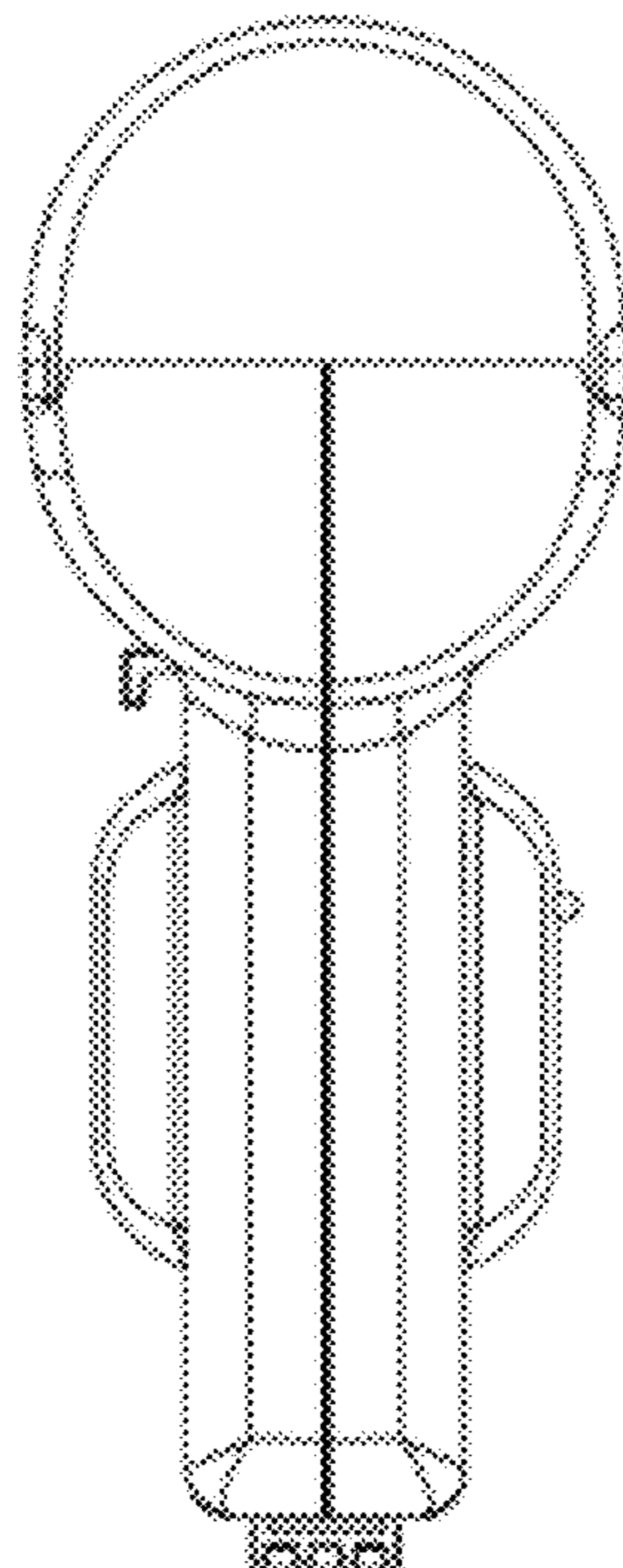


Fig. 4

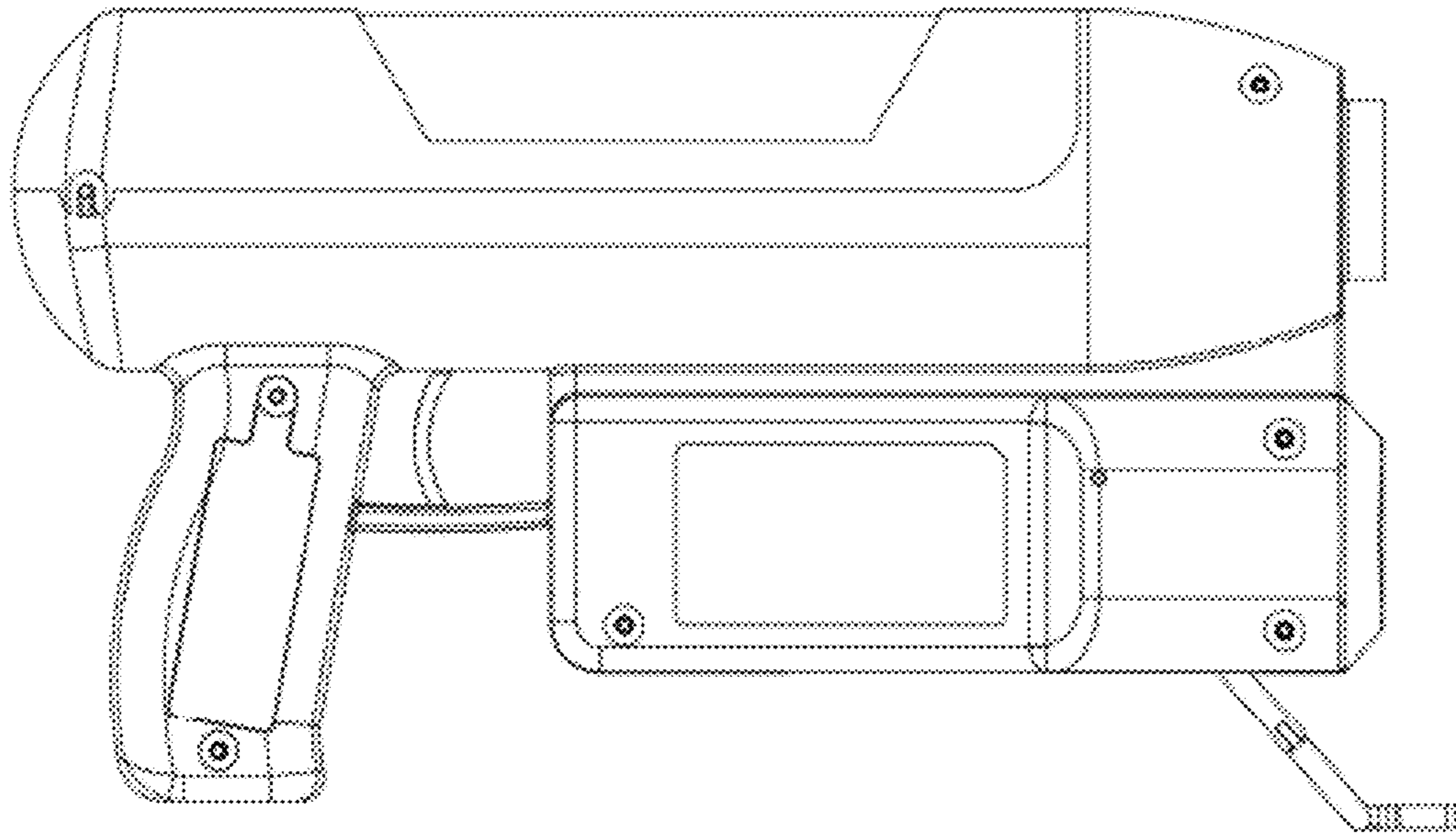


Fig. 5

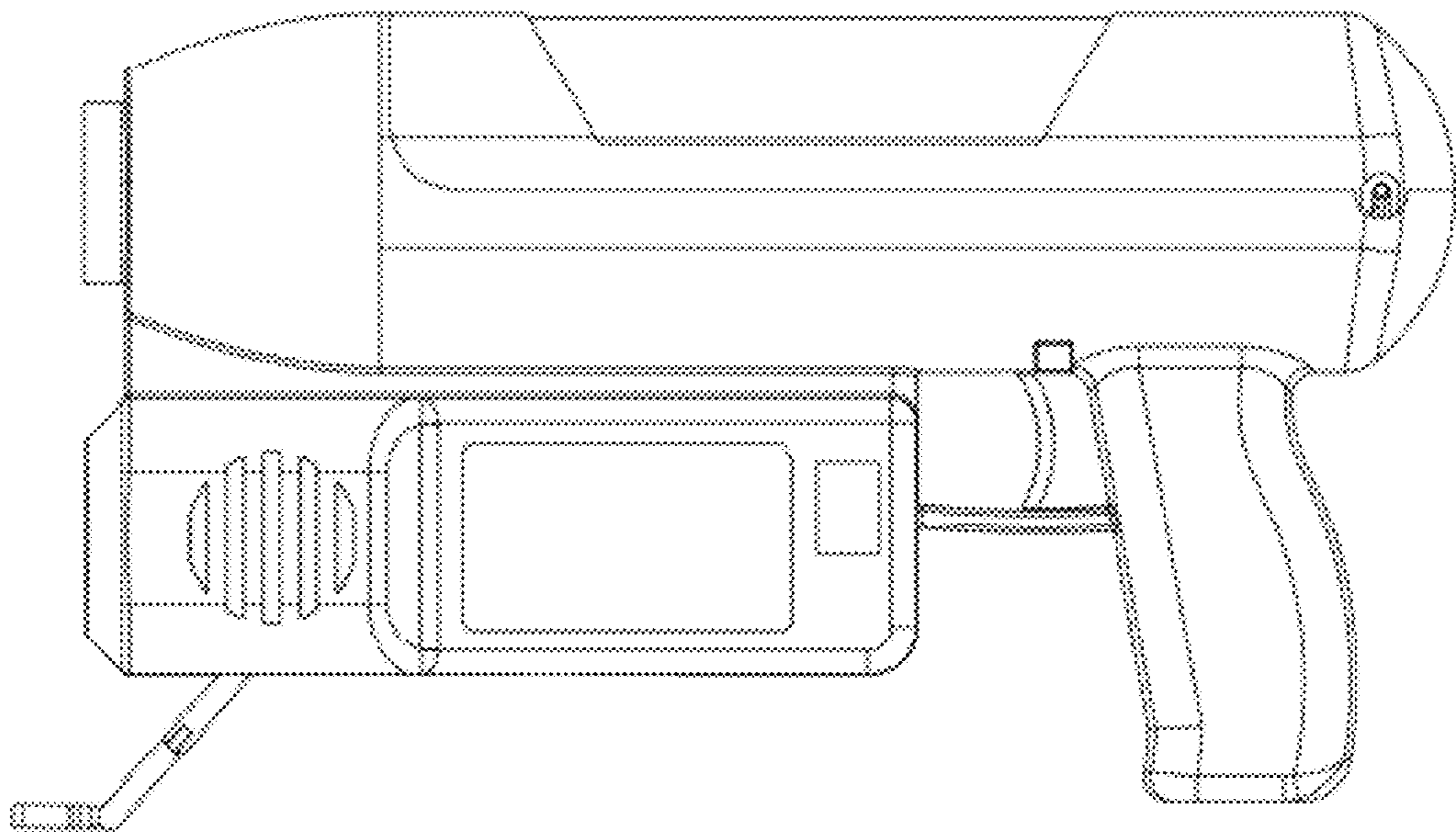


Fig. 6

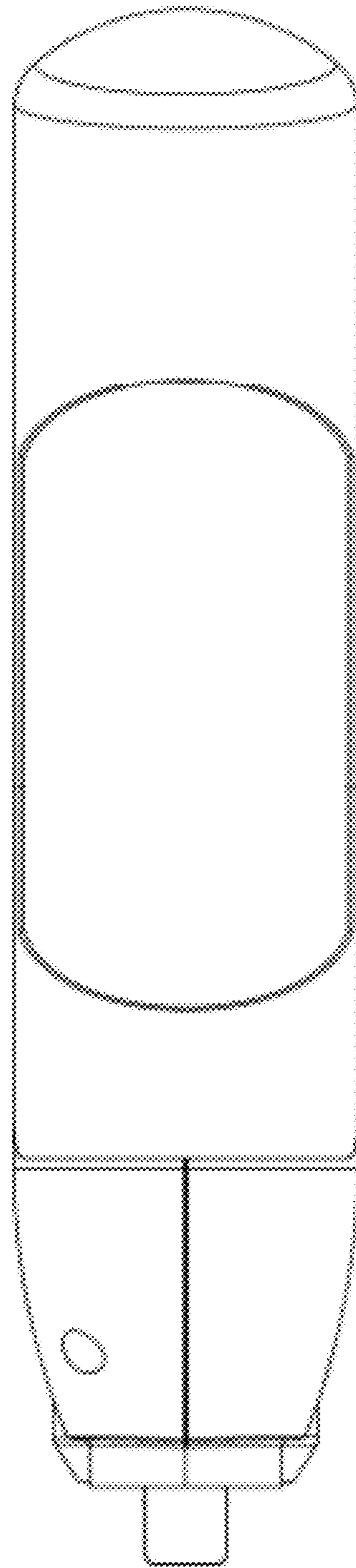


Fig. 7

