



US00D678619S

(12) **United States Design Patent**  
**Jackson et al.**

(10) **Patent No.:** **US D678,619 S**  
(45) **Date of Patent:** **\*\* \*Mar. 19, 2013**

(54) **WELDING AUTO-DARKENING FILTER ASSEMBLY**

(75) Inventors: **Matrice Brown Jackson**, Woodstock, GA (US); **Alice Susan Gordon**, Roswell, GA (US); **Kristy Jo Giebe**, Johns Creek, GA (US); **Russell J. Kroll**, Atlanta, GA (US); **Mark A. Kruse**, Atlanta, GA (US); **Benjamin D. Stephens**, Atlanta, GA (US); **Robert J. Henshaw**, Newnan, GA (US); **Philip D. Palermo**, Marietta, GA (US)

(73) Assignee: **Kimberly-Clark Worldwide, Inc.**, Neenah, WI (US)

(\*) Notice: This patent is subject to a terminal disclaimer.

(\*\*) Term: **14 Years**

(21) Appl. No.: **29/377,787**

(22) Filed: **Oct. 26, 2010**

(51) **LOC (9) Cl.** ..... **29-02**

(52) **U.S. Cl.** ..... **D29/110; D29/122**

(58) **Field of Classification Search** ..... D29/100, D29/101.1, 102, 104-110, 122; D15/144, D15/144.1, 144.2; 2/410, 15, 455, 7, 8.1-8.8, 2/9, 424, 427, 429; D16/101; D14/341, D14/346, 347, 333, 338; 128/857, 858, 206.28, 128/206.23, 206.24

See application file for complete search history.

(56) **References Cited**

**U.S. PATENT DOCUMENTS**

D139,883	S	*	1/1945	Vasseyr	.....	D29/110
2,505,640	A	*	4/1950	Fitch	.....	2/8.1
D203,091	S	*	11/1965	Cupp	.....	D29/110
3,251,065	A	*	5/1966	Caldwell	.....	2/8.3
D250,856	S	*	1/1979	Siebert	.....	D29/110
4,774,723	A	*	10/1988	Ruck	.....	2/8.1
5,062,156	A	*	11/1991	Siegal	.....	2/8.1
D340,547	S	*	10/1993	Rekow	.....	D29/110

D349,588	S	*	8/1994	Howard et al.	.....	D29/110
D355,053	S	*	1/1995	Honrud	.....	D29/110
5,544,206	A	*	8/1996	Brooks et al.	.....	376/248
D393,933	S	*	4/1998	Huh	.....	D29/110
D398,421	S	*	9/1998	Crafoord et al.	.....	D29/110
5,925,441	A	*	7/1999	Blauer et al.	.....	428/196
5,959,705	A		9/1999	Ferguson		
6,021,520	A		2/2000	Wang Lee		
6,097,451	A	*	8/2000	Palmer et al.	.....	349/14
6,557,174	B2	*	5/2003	Martin et al.	.....	2/8.8
6,973,672	B2	*	12/2005	Huh	.....	2/8.1
7,000,251	B2	*	2/2006	DeYoung	.....	2/8.2
D521,190	S	*	5/2006	Wu	.....	D29/110
D530,864	S	*	10/2006	Huh	.....	D29/110
7,308,719	B2	*	12/2007	Huh	.....	2/8.2
D565,801	S	*	4/2008	Curci et al.	.....	D29/110
7,477,330	B2	*	1/2009	Magnusson et al.	.....	349/14
D597,709	S	*	8/2009	Juhlin	.....	D29/122
D604,911	S	*	11/2009	Juhlin	.....	D29/122

(Continued)

**FOREIGN PATENT DOCUMENTS**

CN	2151732	Y	1/1994
CN	201290803	Y	8/2009

(Continued)

*Primary Examiner* — Elizabeth J Oswecki

(74) *Attorney, Agent, or Firm* — Dority & Manning, P.A.

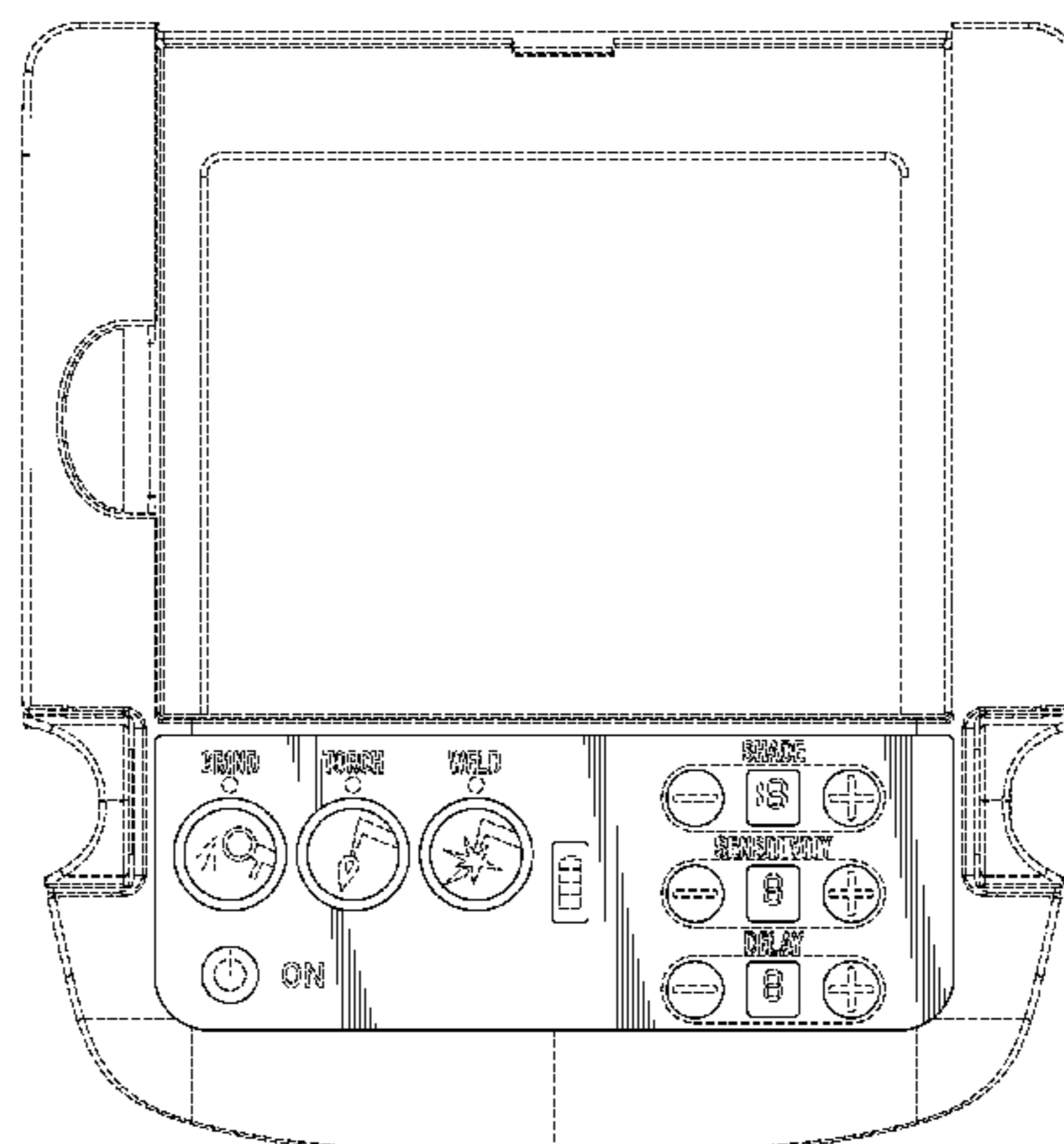
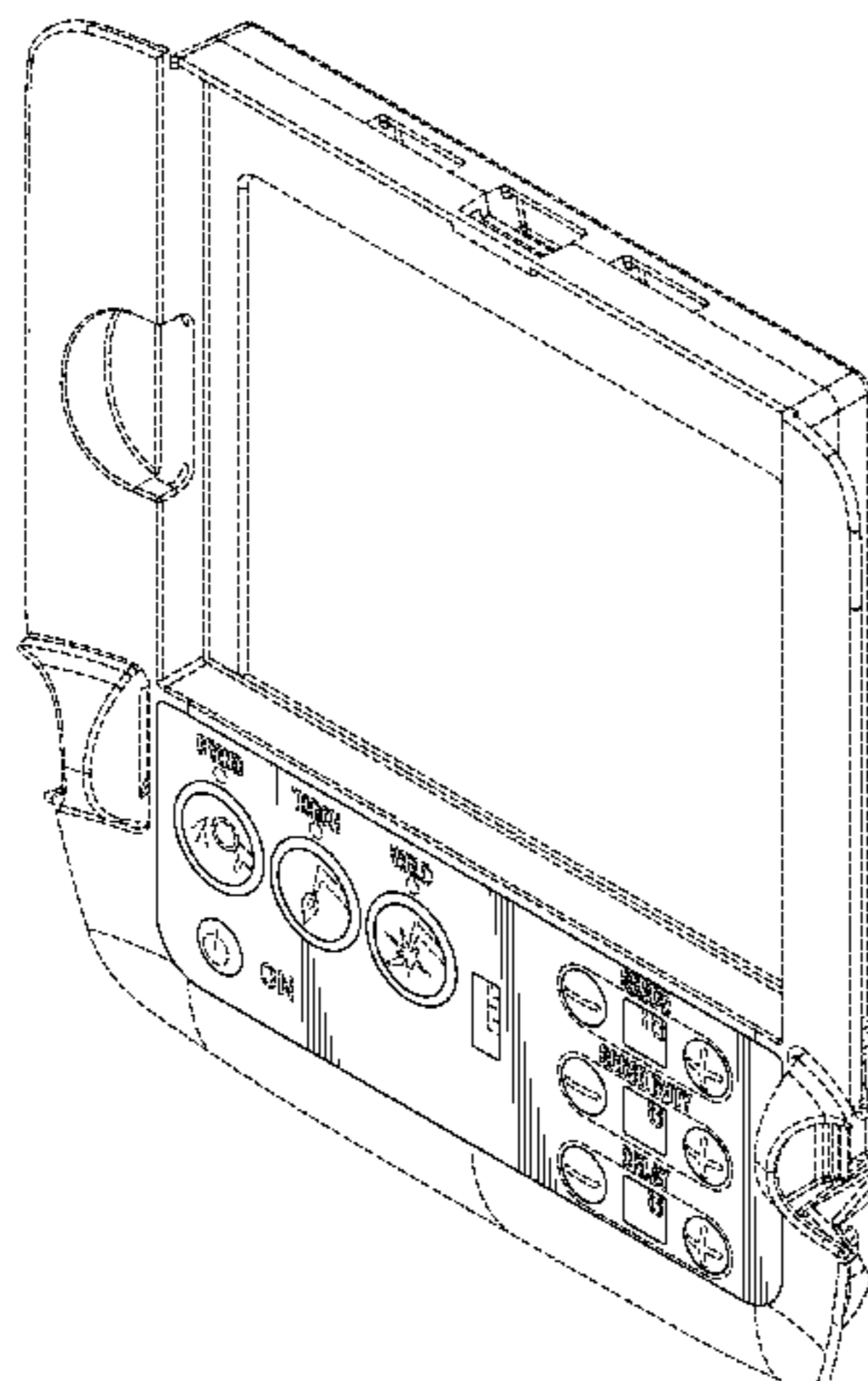
(57) **CLAIM**

The ornamental design for a welding auto-darkening filter assembly, as shown and described.

**DESCRIPTION**

FIG. 1 is a perspective view of a welding auto darkening filter assembly showing our new design; FIG. 2 is another perspective view thereof; FIG. 3 is a front view thereof; FIG. 4 is a side view thereof; FIG. 5 is a back view thereof; FIG. 6 is a side view thereof; FIG. 7 is a top view thereof; and, FIG. 8 is a bottom view thereof. In the drawings, the broken lines shown in FIGS. 1-8 depict portions of the design that form no part of the claim.

**1 Claim, 6 Drawing Sheets**



# US D678,619 S

Page 2

## U.S. PATENT DOCUMENTS

D628,750 S \* 12/2010 Schwanz ..... D29/110  
7,884,888 B2 \* 2/2011 Magnusson et al. .... 349/14  
2001/0017681 A1 8/2001 Hornell et al.  
2002/0024739 A1 2/2002 Martin et al.  
2004/0031903 A1 2/2004 Kiyoshi et al.  
2004/0178326 A1 9/2004 Hamilton et al.  
2006/0203148 A1 9/2006 Magnusson et al.  
2006/0285330 A1 12/2006 Sundell  
2007/0056073 A1 3/2007 Martin et al.  
2007/0081250 A1 \* 4/2007 Garbergs et al. .... 359/601  
2007/0089215 A1 4/2007 Biche et al.  
2007/0195227 A1 8/2007 Dufresne et al.  
2007/0289049 A1 \* 12/2007 Gerfin et al. .... 2/455

2008/0060102 A1 3/2008 Matthews et al.  
2008/0068521 A1 \* 3/2008 Cottier ..... 349/14  
2009/0094721 A1 \* 4/2009 Becker ..... 2/8.8  
2010/0088793 A1 \* 4/2010 Ghisleni et al. .... 2/8.2  
2011/0119801 A1 \* 5/2011 Wright ..... 2/8.2

## FOREIGN PATENT DOCUMENTS

CN 101732128 A 6/2010  
JP 61-182720 U 11/1961  
KR 10-0658036 B 12/2006  
WO WO 00/61044 A1 10/2000  
WO WO 00/62119 A1 10/2000  
WO WO 2008/074176 A1 6/2008

\* cited by examiner

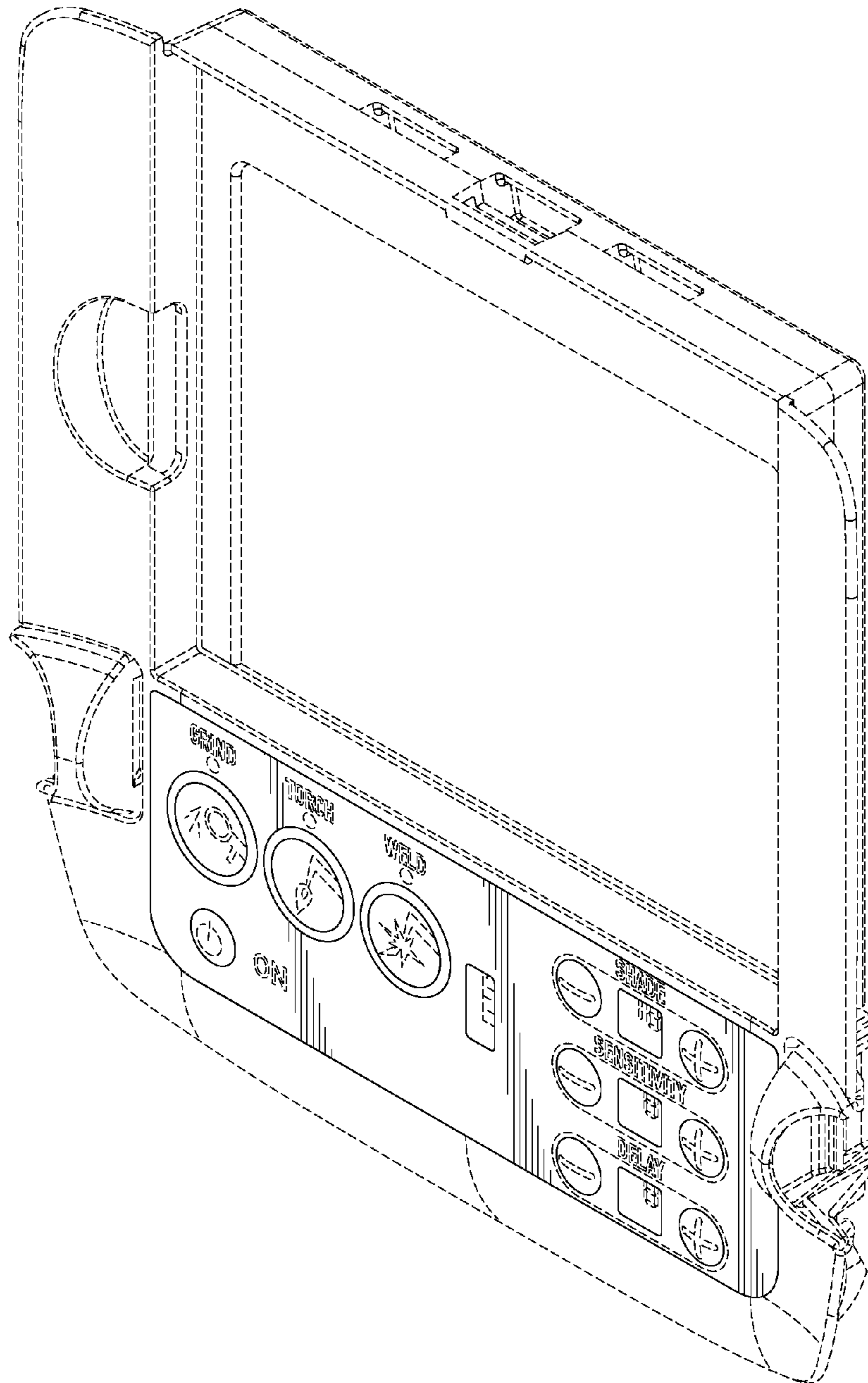


FIG. 1

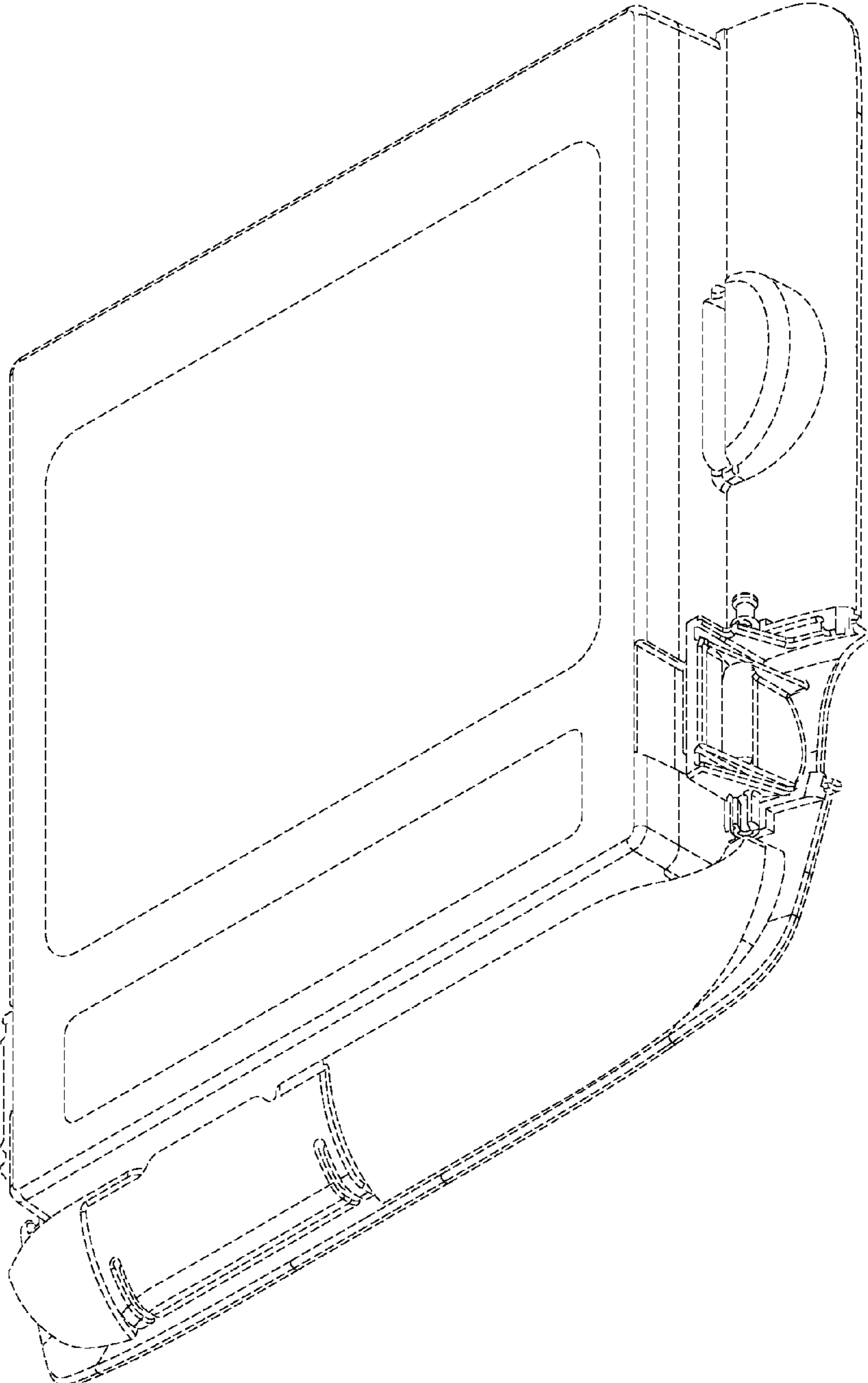


FIG. 2

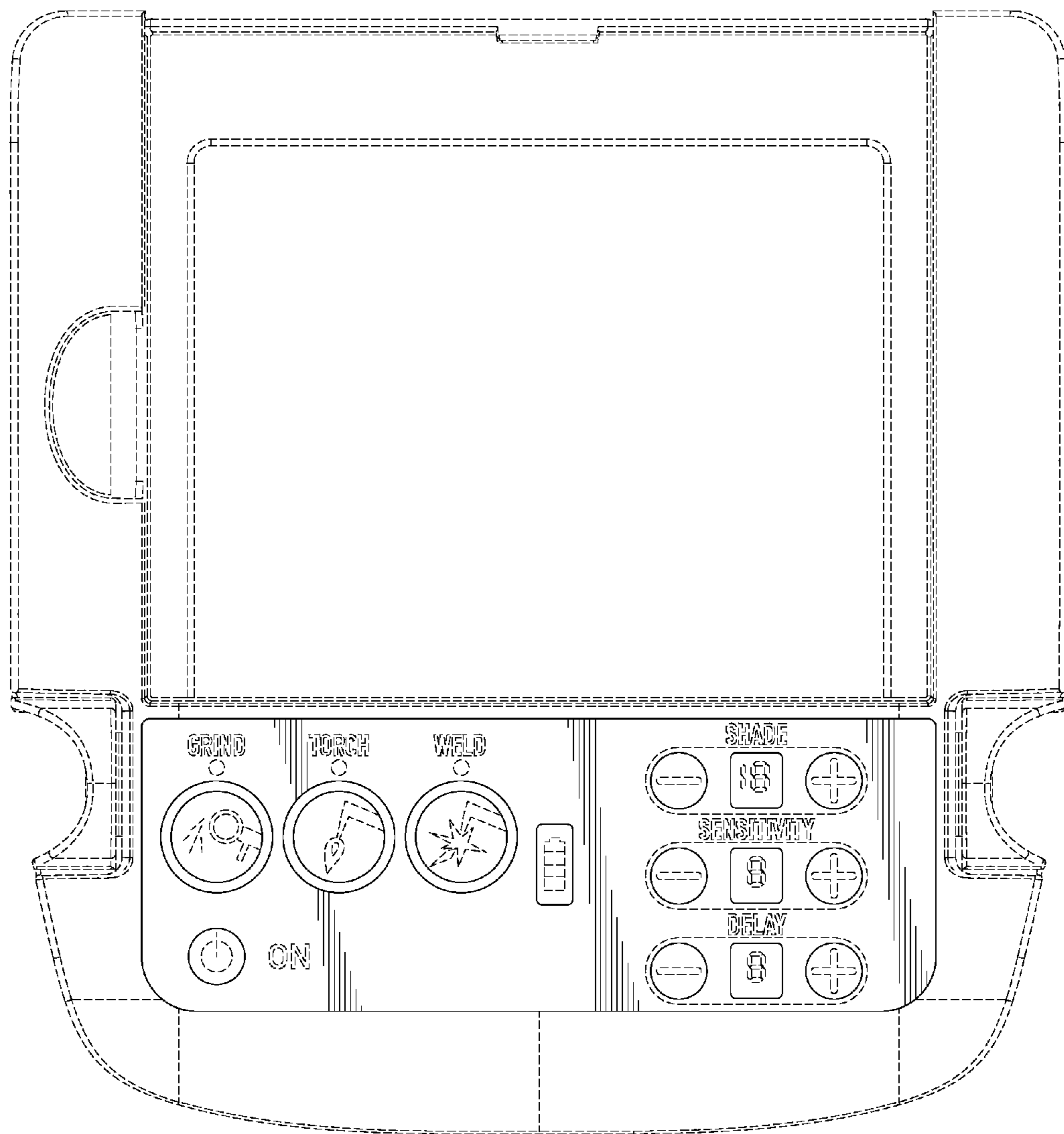


FIG. 3

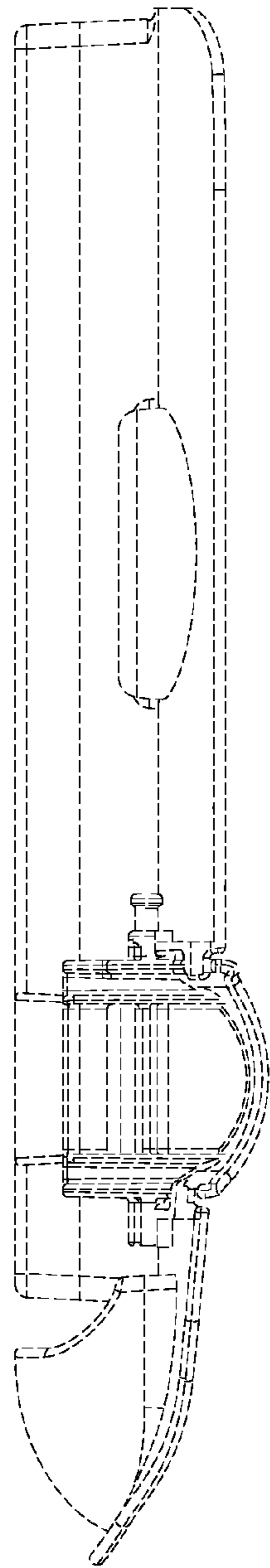


FIG. 6

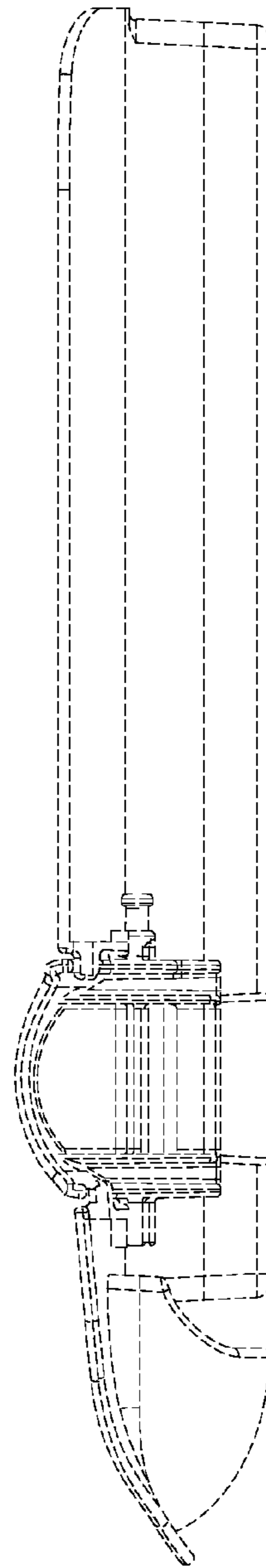


FIG. 4

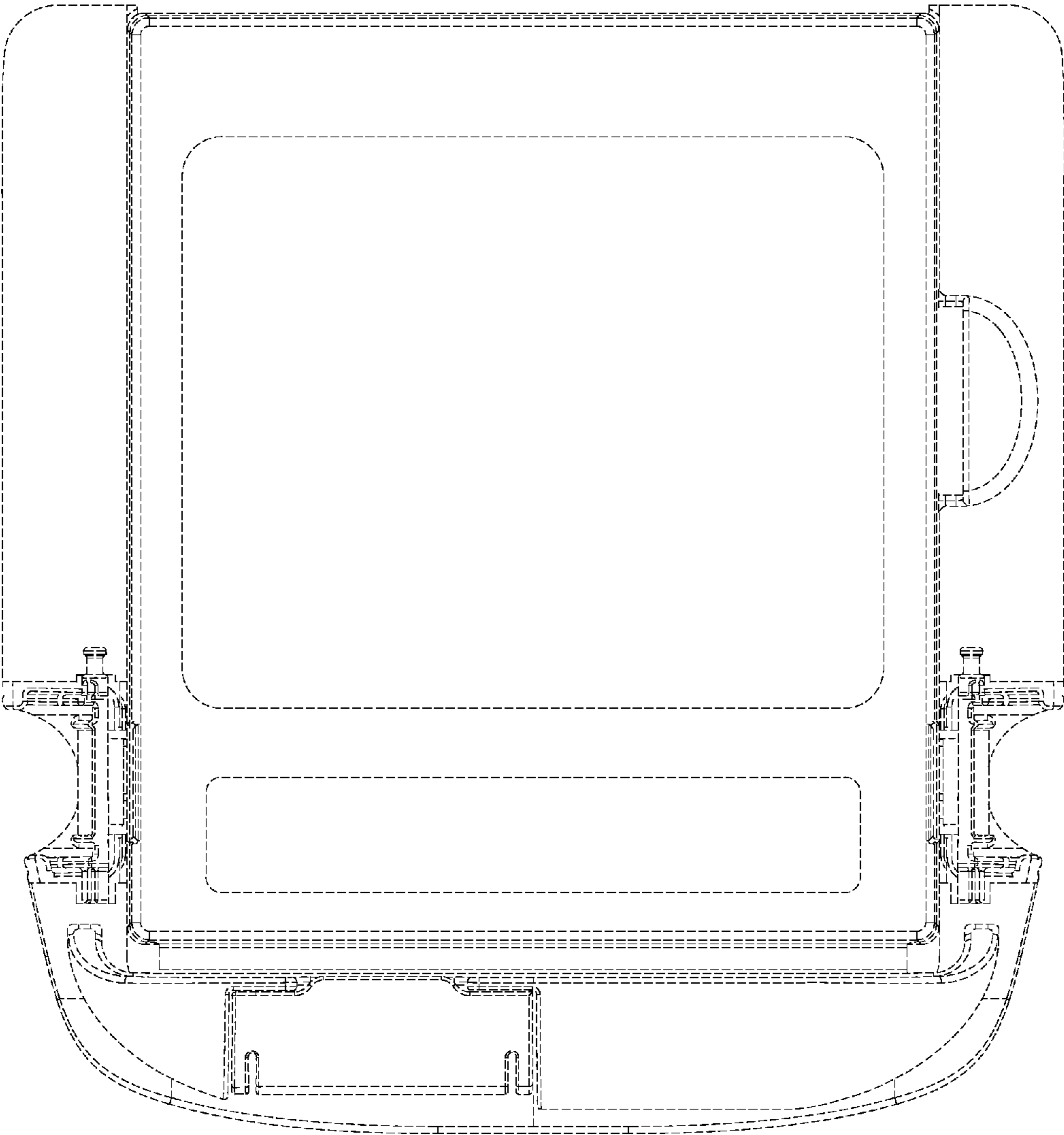


FIG. 5

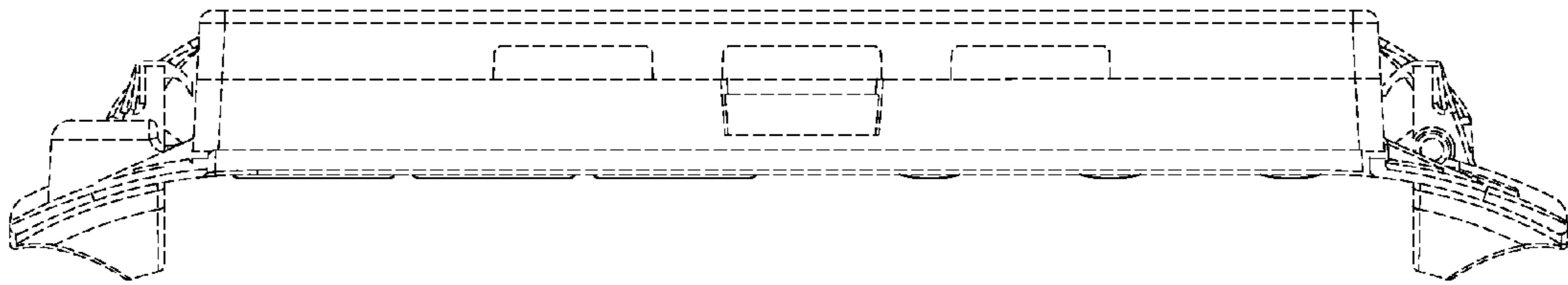


FIG. 7

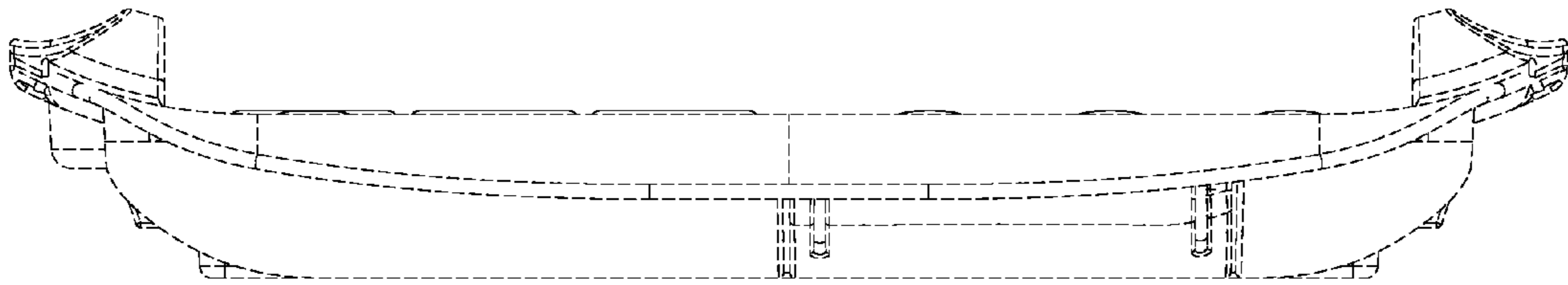


FIG. 8