



US00D678609S

(12) **United States Design Patent**
Ragosta et al.

(10) **Patent No.:** **US D678,609 S**

(45) **Date of Patent:** **** Mar. 19, 2013**

(54) **HAIR STYLING APPARATUS**

FOREIGN PATENT DOCUMENTS

(75) Inventors: **Michael A. Ragosta**, Calabasas, CA (US); **Claudio Marino**, Woodland Hills, CA (US); **Bruno Meglio**, Beverly Hills, CA (US); **David Richmond**, Culver City, CA (US); **Howard Richmond**, Los Angeles, CA (US); **Jeffery Scott Kunkler**, Shenzhen (CN); **Paul Robert Goetz**, Maple Grove, MN (US); **Luke James Ritchie**, Yuen Long (HK); **Shi Kai Tan**, Singapore (SG)

CH 594382 1/1978
DE 2649565 5/1978

(Continued)

Primary Examiner — Jennifer Rivard
(74) *Attorney, Agent, or Firm* — Laura M. Lloyd; Jeffrey G. Sheldon; Sheldon Mak & Anderson

(57) **CLAIM**

The ornamental design for a hair styling apparatus, as shown and described.

DESCRIPTION

(73) Assignee: **MM&R Products, Inc.**, Calabasas, CA (US)

FIG. 1 is a left side view of a hair styling apparatus, according to the present invention;

(**) Term: **14 Years**

FIG. 2 is a right side view of the hair styling apparatus of FIG. 1;

(21) Appl. No.: **29/423,589**

FIG. 3 is a perspective view of the hair styling apparatus of FIG. 1;

(22) Filed: **Jun. 1, 2012**

FIG. 4 is a front view of the hair styling apparatus of FIG. 1;

(51) **LOC (9) Cl.** **28-03**

FIG. 5 is a rear view of the hair styling apparatus of FIG. 1;

(52) **U.S. Cl.** **D28/35**

FIG. 6 is a top view of the hair styling apparatus of FIG. 1;

(58) **Field of Classification Search** D28/35,

D28/37-38; 219/222, 225-226; 132/129,

132/223-272

FIG. 7 is a bottom view of the hair styling apparatus of FIG. 1;

See application file for complete search history.

FIG. 8 is a left side view of another embodiment of a hair styling apparatus;

(56) **References Cited**

U.S. PATENT DOCUMENTS

54,695 A 5/1866 Crosman
431,497 A 7/1890 Walker
524,654 A 8/1894 Shute
1,572,161 A 2/1926 Russell
1,857,689 A 5/1932 Melkman
3,019,463 A 2/1962 Mitchell
3,431,571 A 3/1969 Kraus
3,890,984 A 6/1975 Lesetar
3,909,868 A 10/1975 Nogues
3,947,910 A 4/1976 Akerman

FIG. 9 is a right side view of the hair styling apparatus of FIG. 8;

FIG. 10 is a perspective view of the hair styling apparatus of FIG. 8;

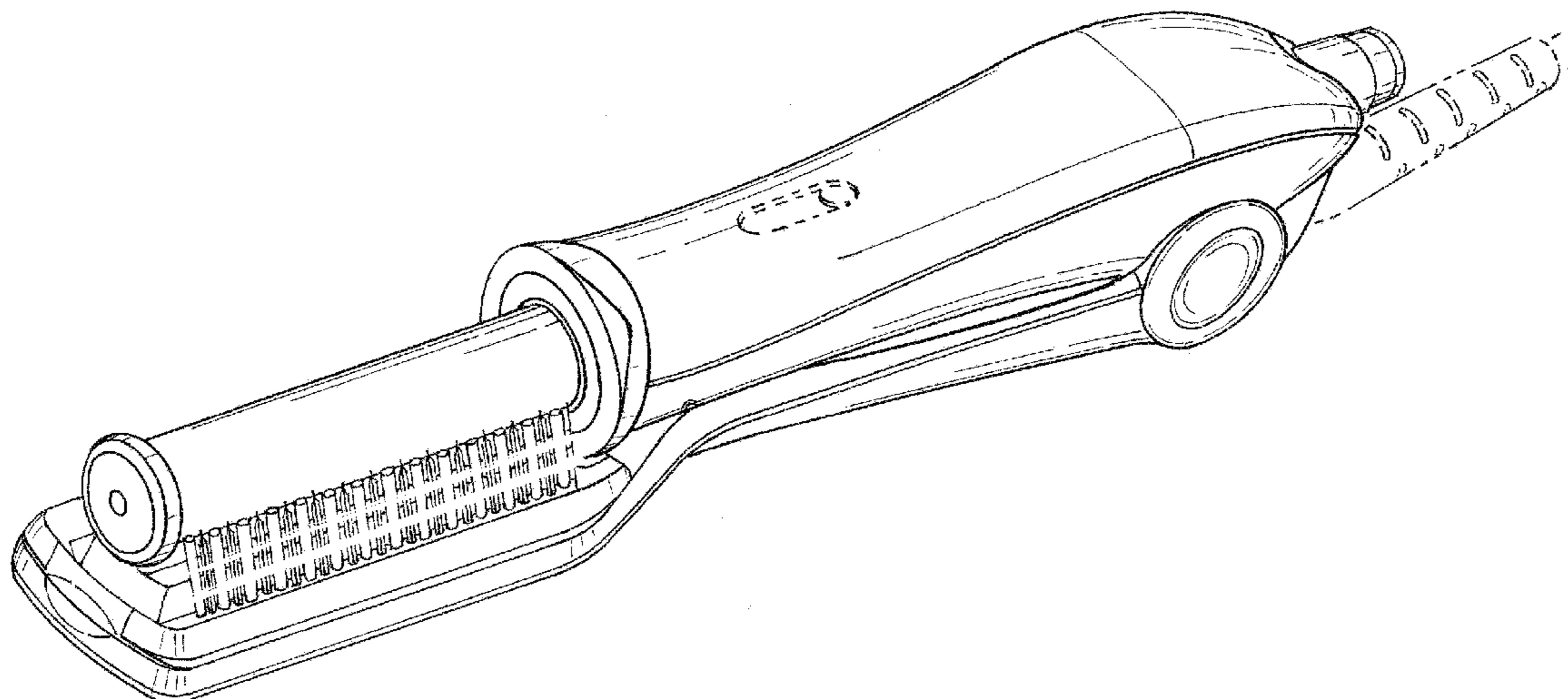
FIG. 11 is a front view of the hair styling apparatus of FIG. 8;

FIG. 12 is a rear view of the hair styling apparatus of FIG. 8;

FIG. 13 is a top view of the hair styling apparatus of FIG. 8; and,
FIG. 14 is a bottom view of the hair styling apparatus of FIG. 8.

The broken lines showing bristles, parts of the handle, and cord illustrate portions of the apparatus that form no part of the claimed design.

1 Claim, 6 Drawing Sheets



US D678,609 S

Page 2

U.S. PATENT DOCUMENTS

4,023,578	A	5/1977	Buhler	
4,084,282	A	4/1978	Calvert	
4,145,600	A	3/1979	Walter	
4,197,608	A	4/1980	Holley	
4,250,902	A	2/1981	Ihara	
4,335,732	A	6/1982	Megna	
4,492,241	A	1/1985	Thaler	
4,591,695	A	5/1986	Inoue	
4,829,156	A	5/1989	Thompson	
5,494,058	A	2/1996	Chan	
5,584,088	A	12/1996	Pauldine	
5,660,191	A	8/1997	Bontoux	
5,837,972	A	11/1998	Padilla	
6,070,594	A	6/2000	Mears	
6,070,596	A	6/2000	Altamore	
6,098,635	A	8/2000	Marino	
6,158,073	A	12/2000	Jiovanni	
D439,051	S	3/2001	White	
6,237,183	B1	5/2001	Fischer	
D465,654	S	11/2002	Richmond	
D466,693	S	12/2002	Richmond	
D471,364	S	3/2003	Kwong	
6,627,852	B1 *	9/2003	Savone	219/225
D489,482	S	5/2004	Cho	
D504,977	S	5/2005	Caicedo	
6,895,975	B2	5/2005	Hafemann	
7,045,744	B2	5/2006	Oh	
7,264,004	B2	9/2007	Djulgovic	
7,341,064	B2	3/2008	Habibi	

7,478,640	B2	1/2009	Saida	
7,481,228	B2 *	1/2009	Ragosta et al.	132/238
7,490,615	B2 *	2/2009	Rizzuto	132/129
7,631,646	B2	12/2009	Ragosta	
D609,857	S *	2/2010	Schmitz	D28/35
D626,749	S	11/2010	Ragosta	
D643,974	S *	8/2011	Renault	D28/35
D670,433	S *	11/2012	Keong	D28/35
2005/0016557	A1	1/2005	Fasan	
2005/0061352	A1	3/2005	Yao	
2005/0236009	A1	10/2005	Park	
2006/0196523	A1	9/2006	Choi	
2006/0237418	A1	10/2006	Bousfield	
2006/0278251	A1	12/2006	Hur	
2007/0089760	A1	4/2007	Evanyk	
2007/0199574	A1	8/2007	Ragosta	
2008/0066775	A1	3/2008	Mason	
2010/0043818	A1	2/2010	Ragosta	
2010/0242983	A1	9/2010	Richmond et al.	
2012/0111356	A1 *	5/2012	Vacheron et al.	132/228
2012/0138081	A1 *	6/2012	Lee	132/232

FOREIGN PATENT DOCUMENTS

JP	2005237803	9/2005
JP	2007175470	7/2007
KR	300274597	5/2001
KR	300306635	9/2002
KR	200367464	11/2004
KR	200394529	8/2005

* cited by examiner



FIG.1

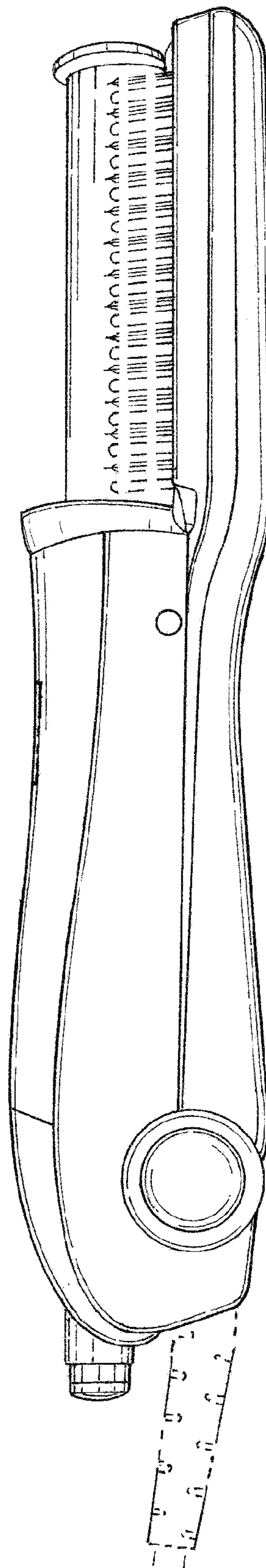


FIG.2

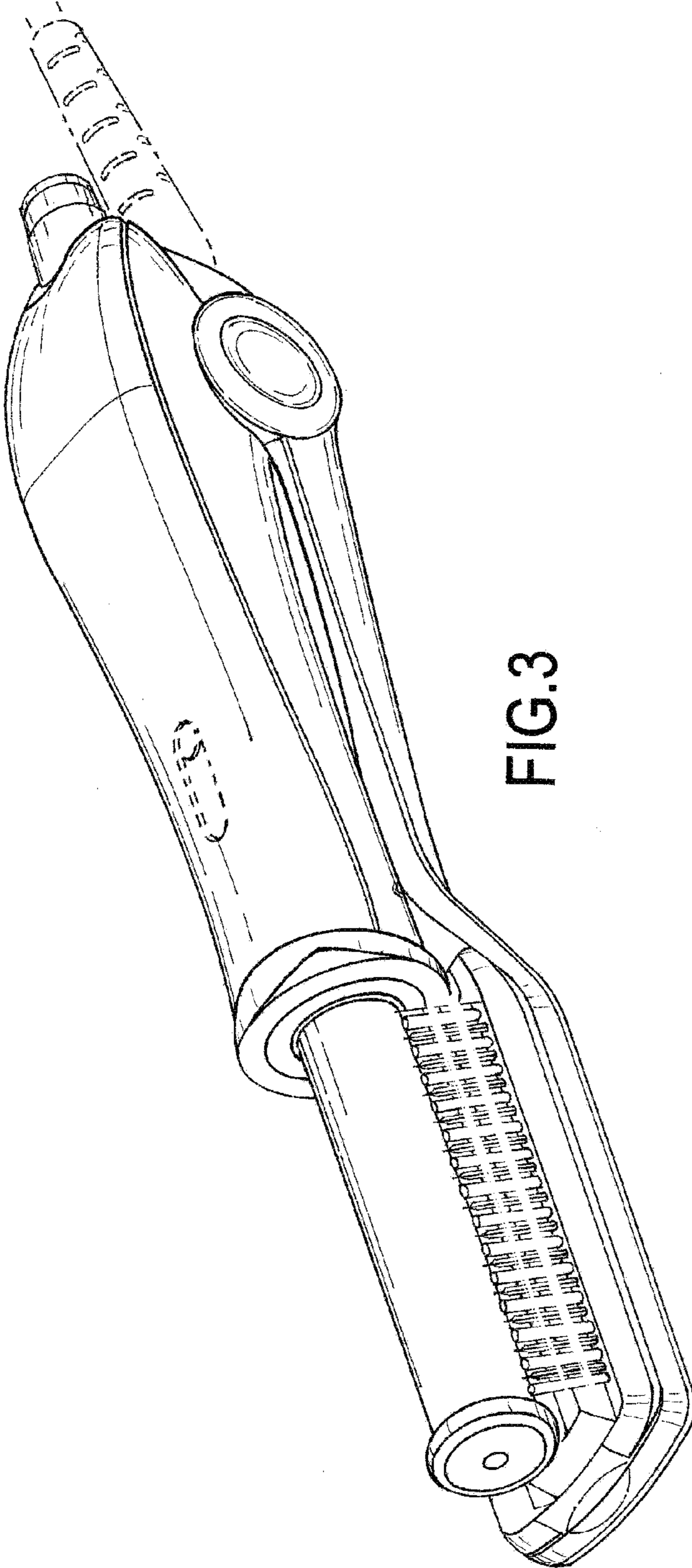


FIG.3

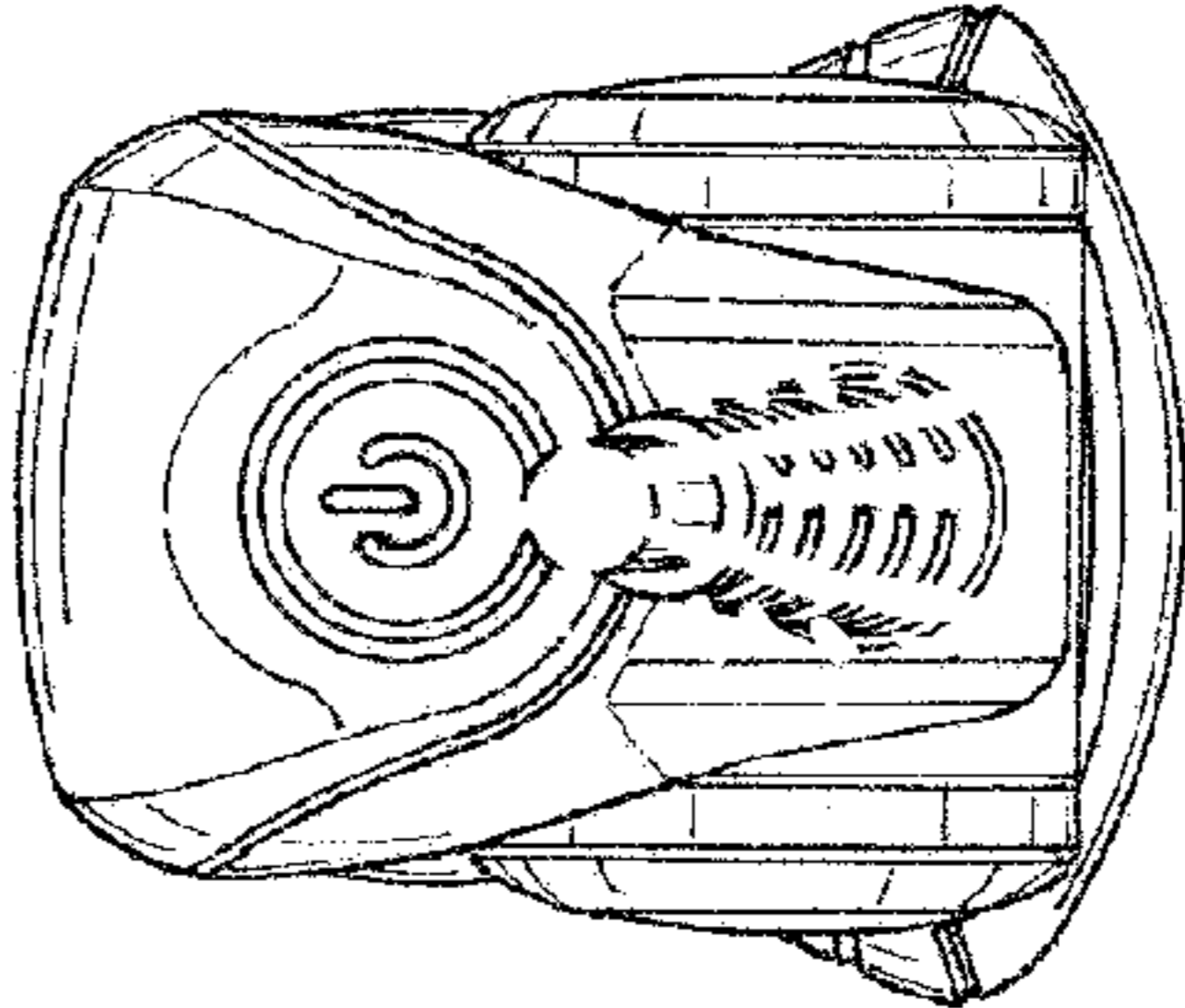


FIG.5

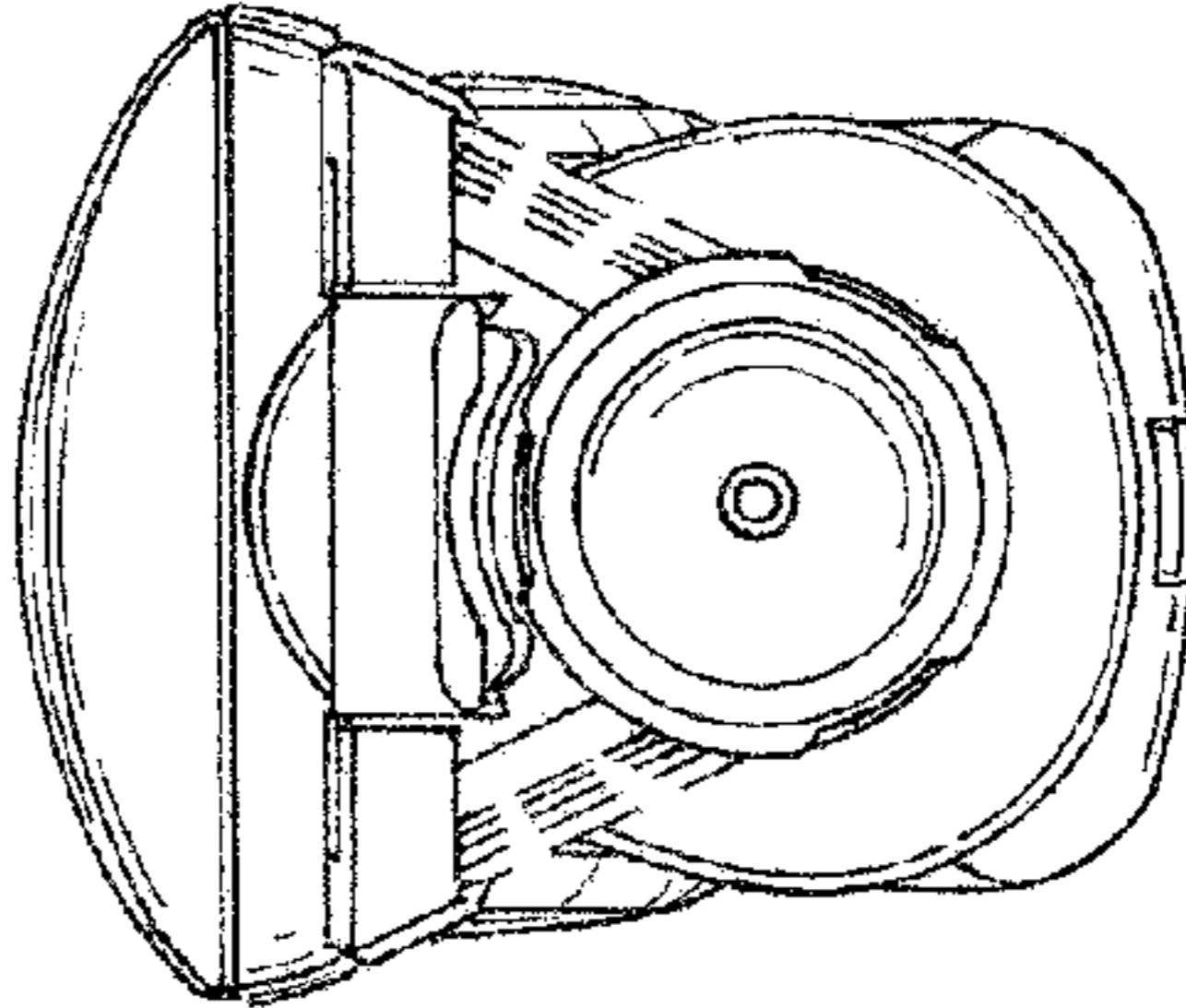


FIG.4

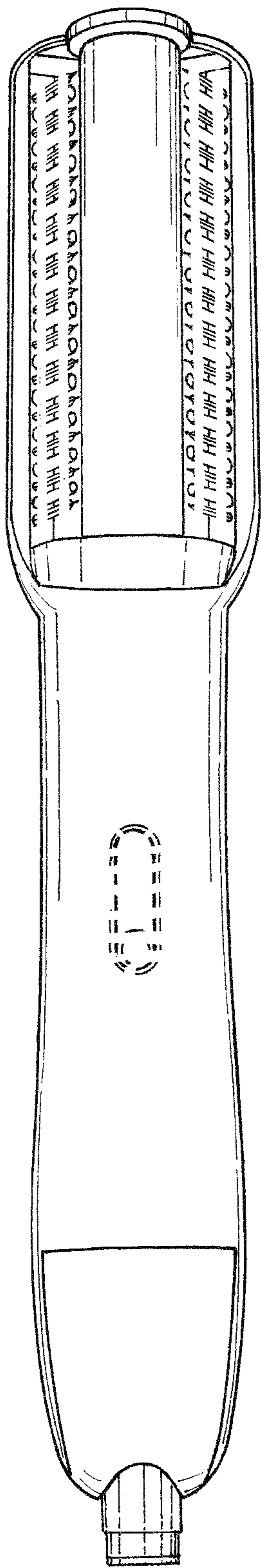


FIG. 6

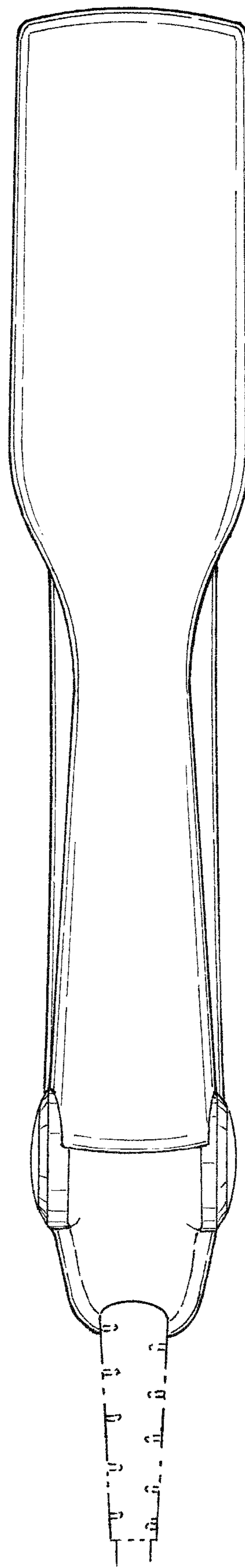


FIG. 7

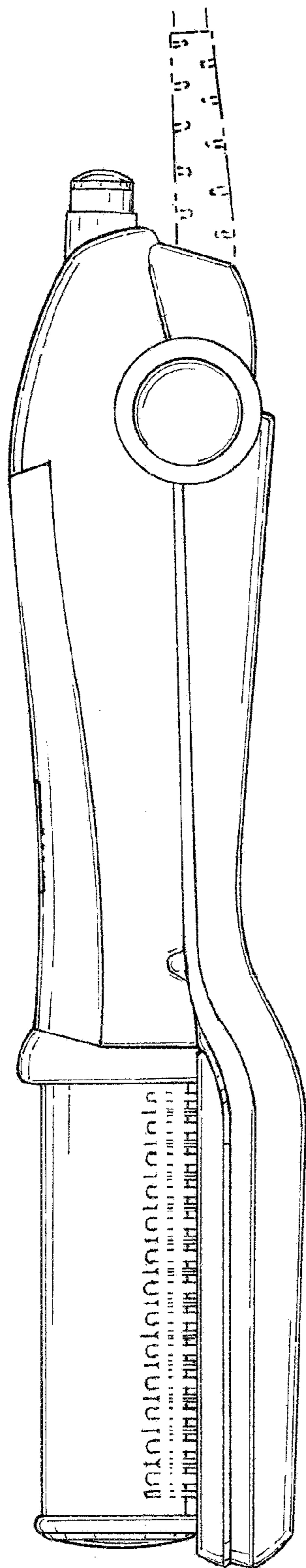


FIG. 8

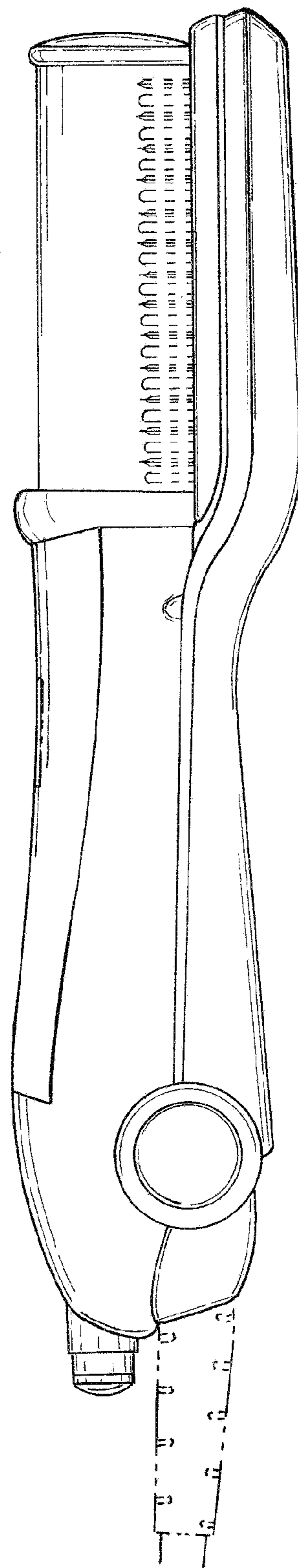
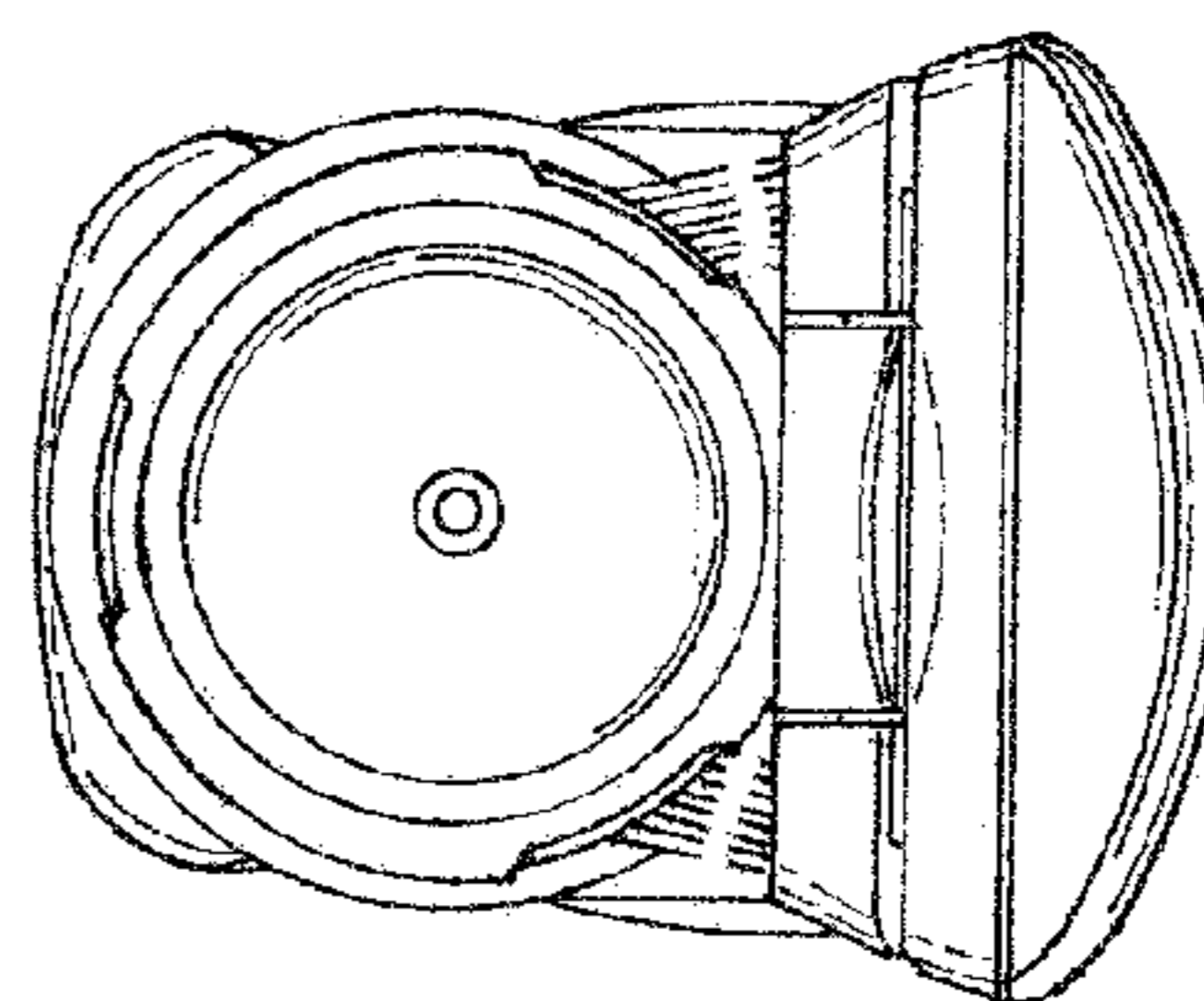
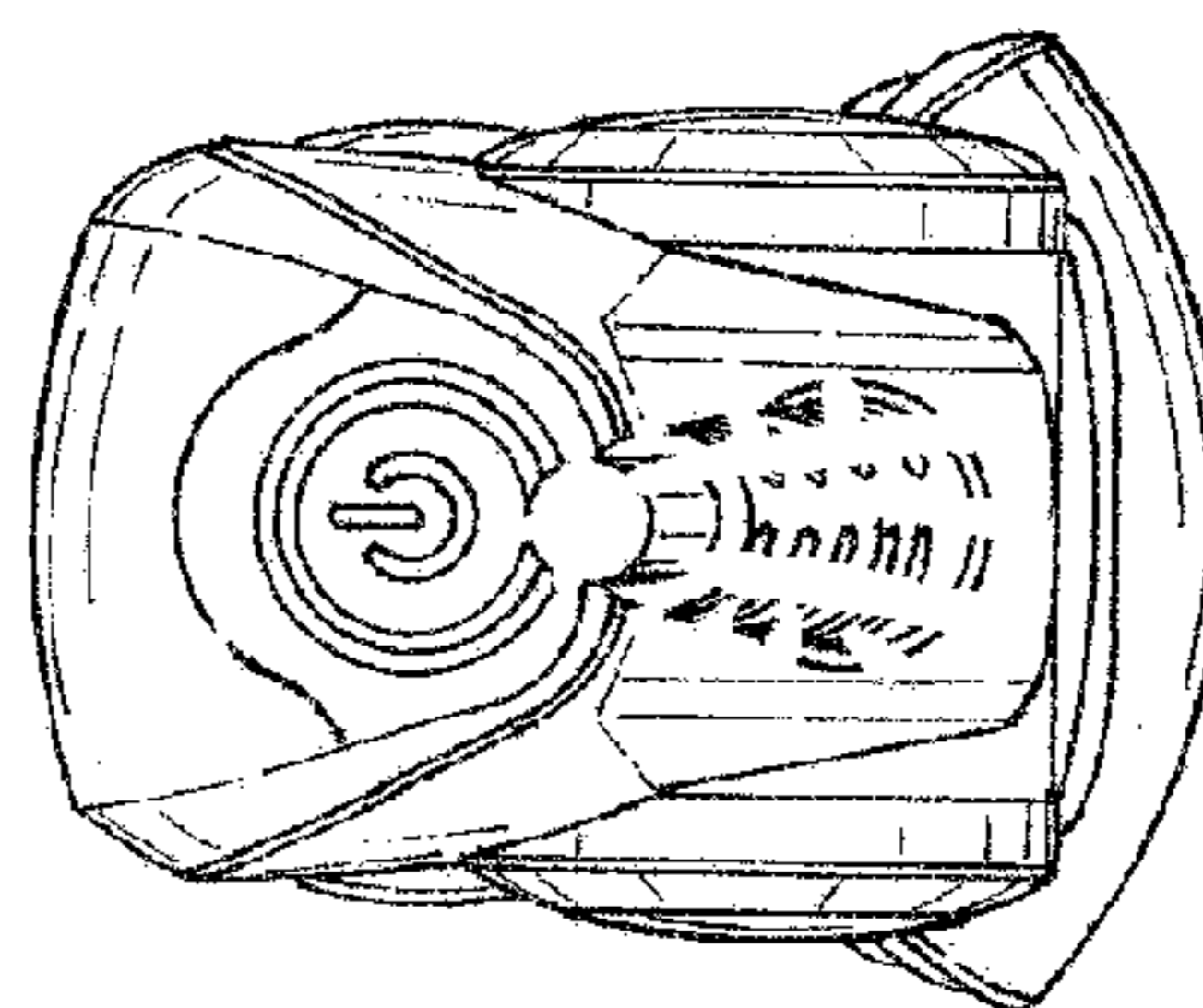
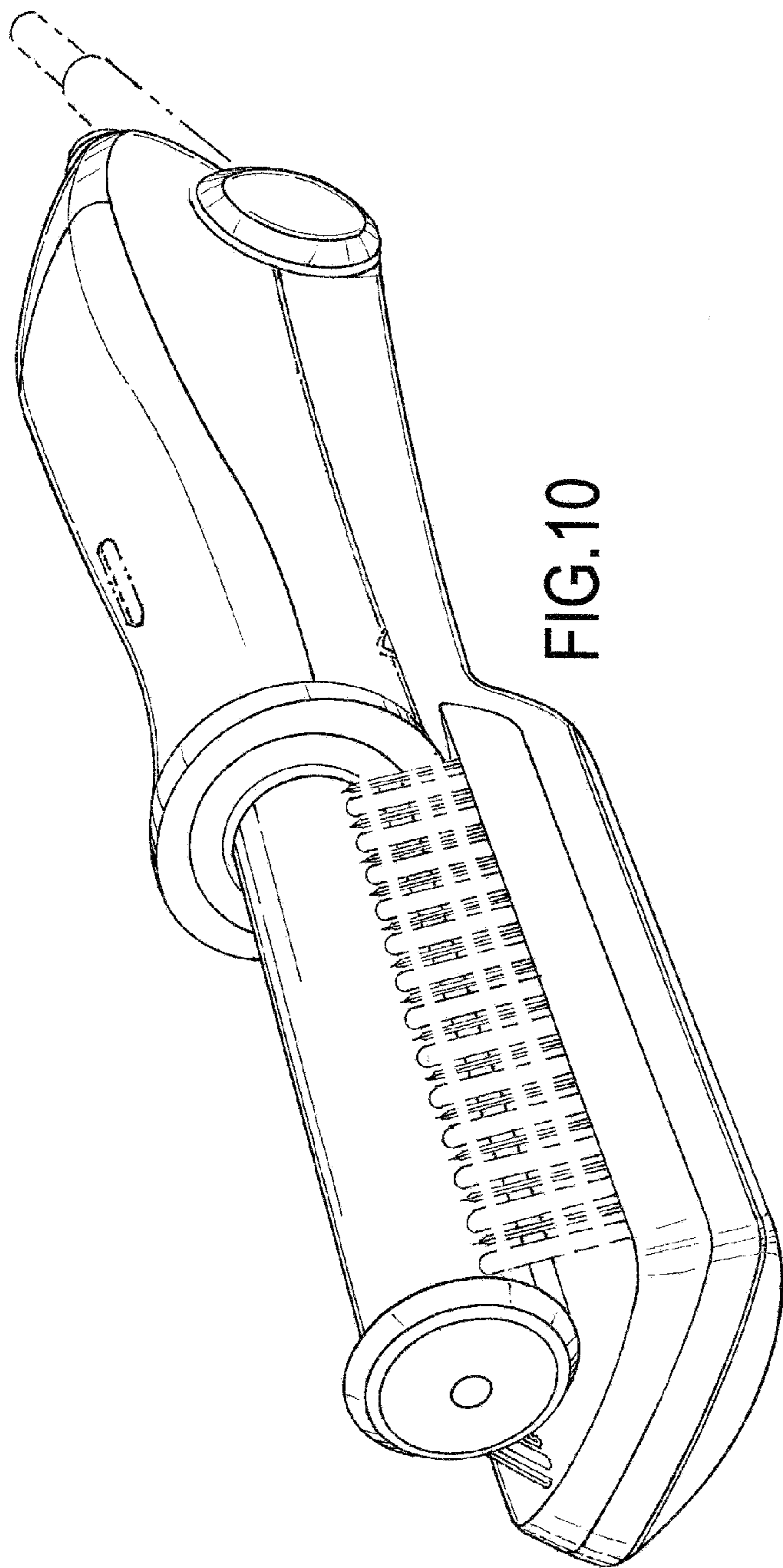


FIG. 9



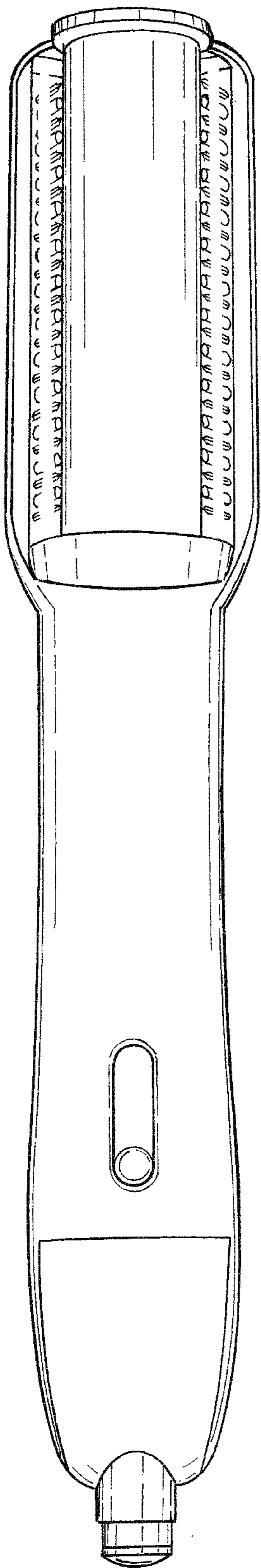


FIG.13

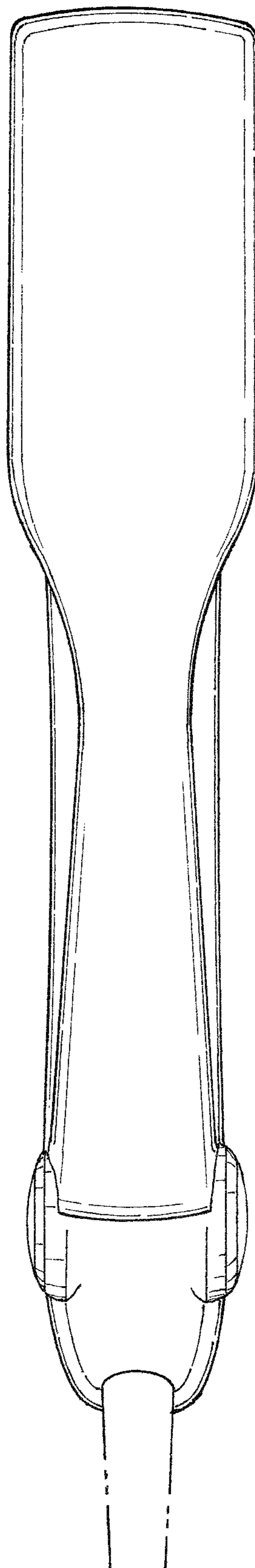


FIG.14