



US00D678608S

(12) **United States Design Patent**
Prats

(10) **Patent No.:** **US D678,608 S**

(45) **Date of Patent:** **** Mar. 19, 2013**

(54) **DRYER DEVICE**

(75) Inventor: **Jorge Prats**, River Edge, NJ (US)

(73) Assignee: **Tristar Products, Inc.**, Fairfield, NJ (US)

(**) Term: **14 Years**

(21) Appl. No.: **29/404,813**

(22) Filed: **Oct. 25, 2011**

(51) **LOC (9) Cl.** **28-03**

(52) **U.S. Cl.** **D28/17**

(58) **Field of Classification Search** D28/12-19;
34/96-101; 392/380-385; 219/222

See application file for complete search history.

(56) **References Cited**

U.S. PATENT DOCUMENTS

D246,913	S	*	1/1978	Kahn et al.	D28/13
D253,305	S	*	10/1979	Battaglia	D28/17
4,746,090	A	*	5/1988	Hamilton	248/314
4,910,385	A	*	3/1990	Shye-Long	392/384
D329,507	S	*	9/1992	Assmann	D28/18
5,590,475	A	*	1/1997	Andis	34/97
D435,938	S	*	1/2001	Bushman	D28/73
8,081,873	B2	*	12/2011	Dannenberg et al.	392/381

* cited by examiner

Primary Examiner — Zenia Bennett

(74) *Attorney, Agent, or Firm* — Leo Stanger

(57) **CLAIM**

An ornamental design for a dryer device, as shown.

DESCRIPTION

FIG. 1 is a rear elevational view of a dryer device showing my design;

FIG. 2 is a front elevational view of the dryer device of FIG. 1;

FIG. 3 is a right side elevational view of the dryer device of FIG. 1;

FIG. 4 is a left side elevational view of the dryer device of FIG. 1;

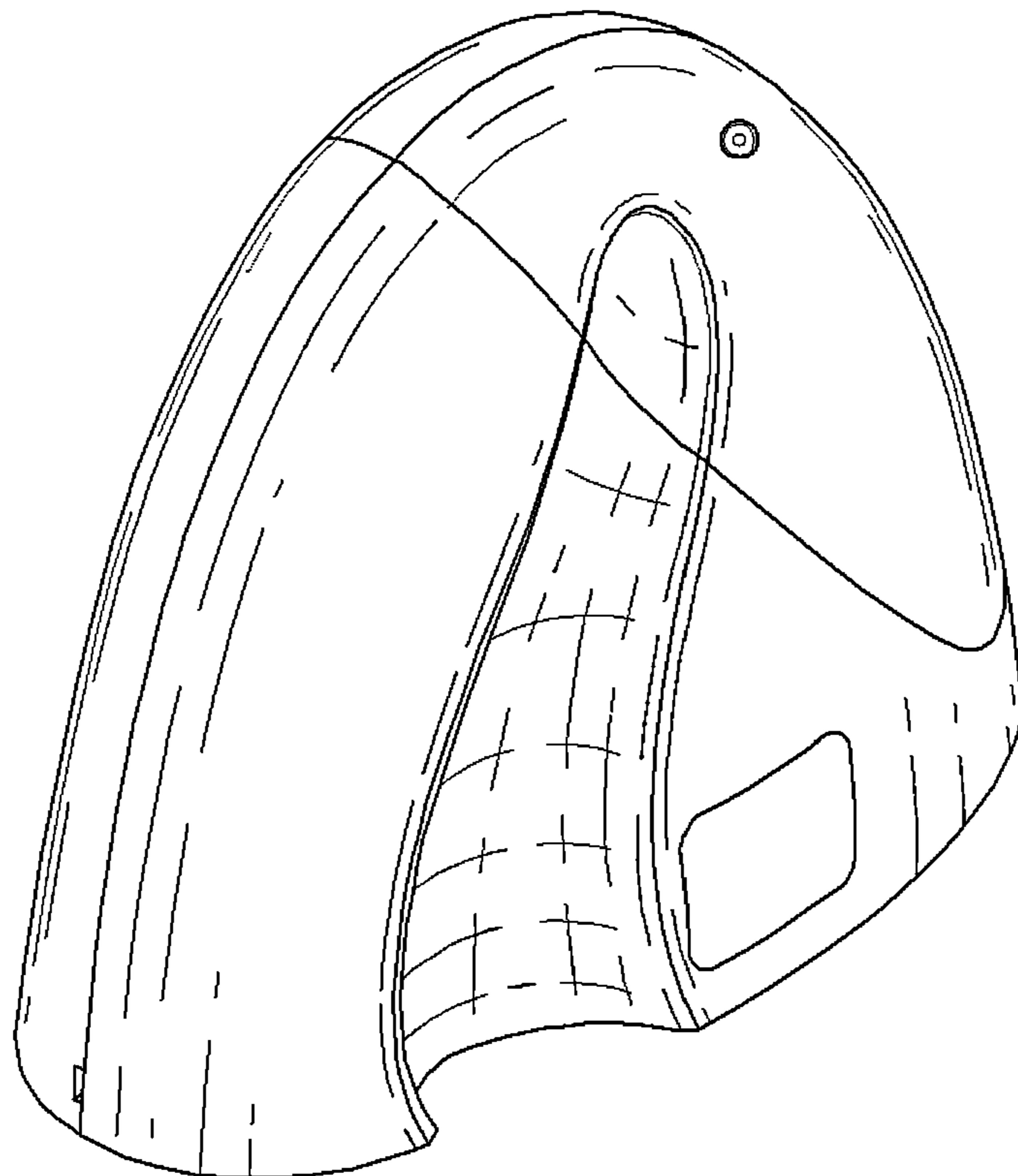
FIG. 5 is a top plan view of the dryer device of FIG. 1;

FIG. 6 is a bottom plan view of the dryer device of FIG. 1;

FIG. 7 is a bottom perspective view of the dryer device of FIG. 1; and,

FIG. 8 is a top perspective view of the dryer device of FIG. 1. The broken lines are for environmental purposes only and form no part of the claimed design.

1 Claim, 5 Drawing Sheets



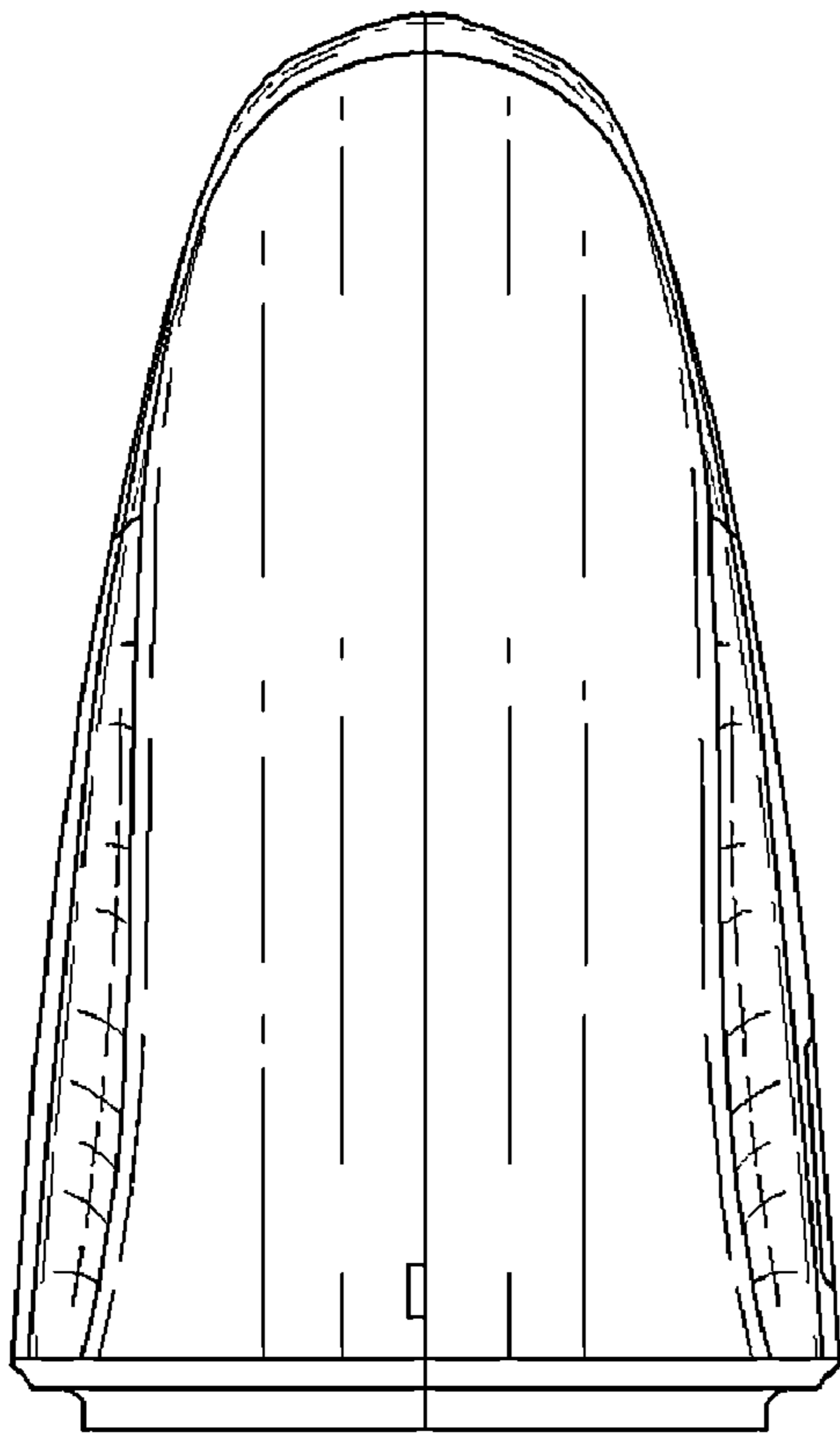


FIG. 1

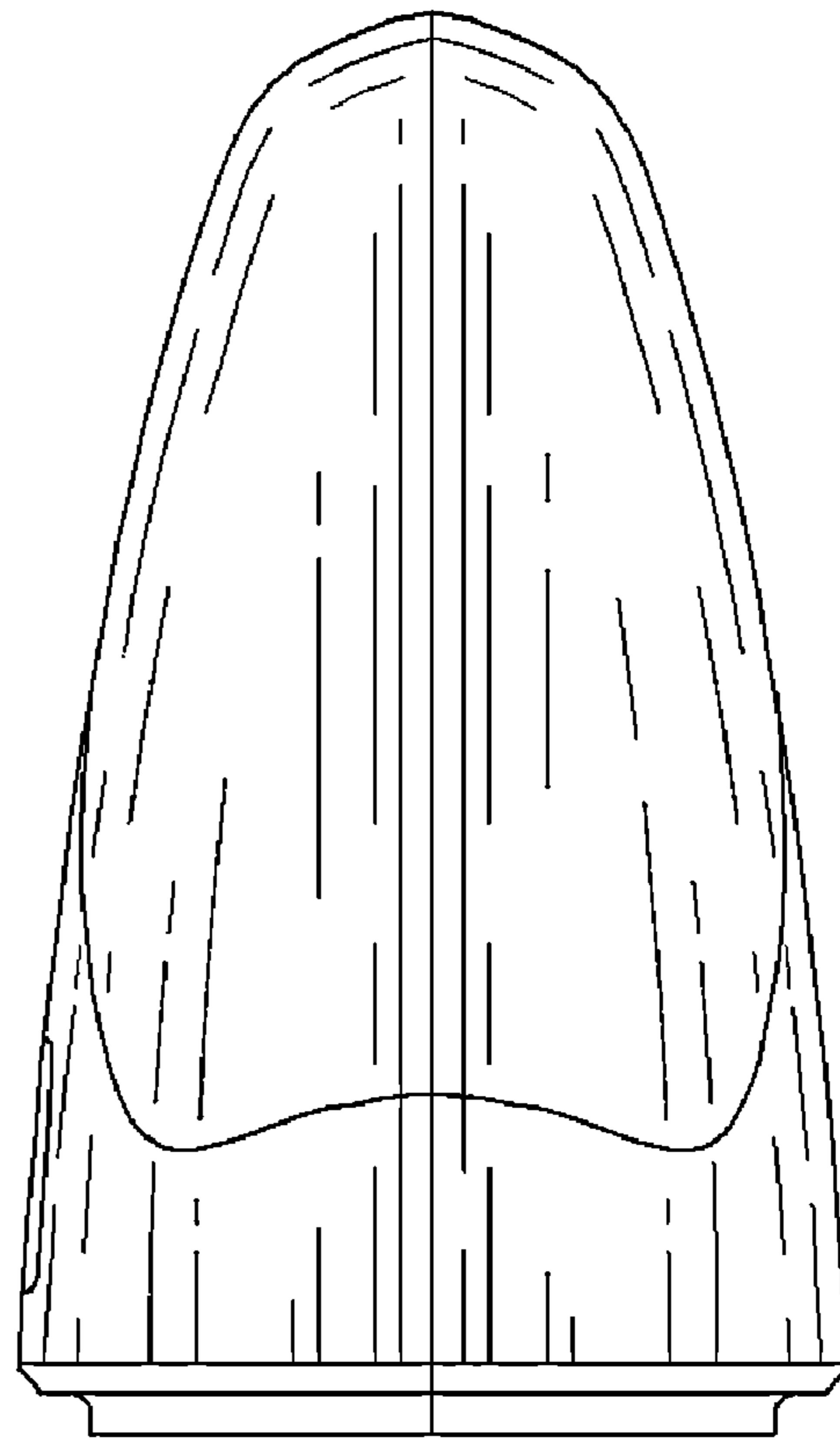


FIG. 2

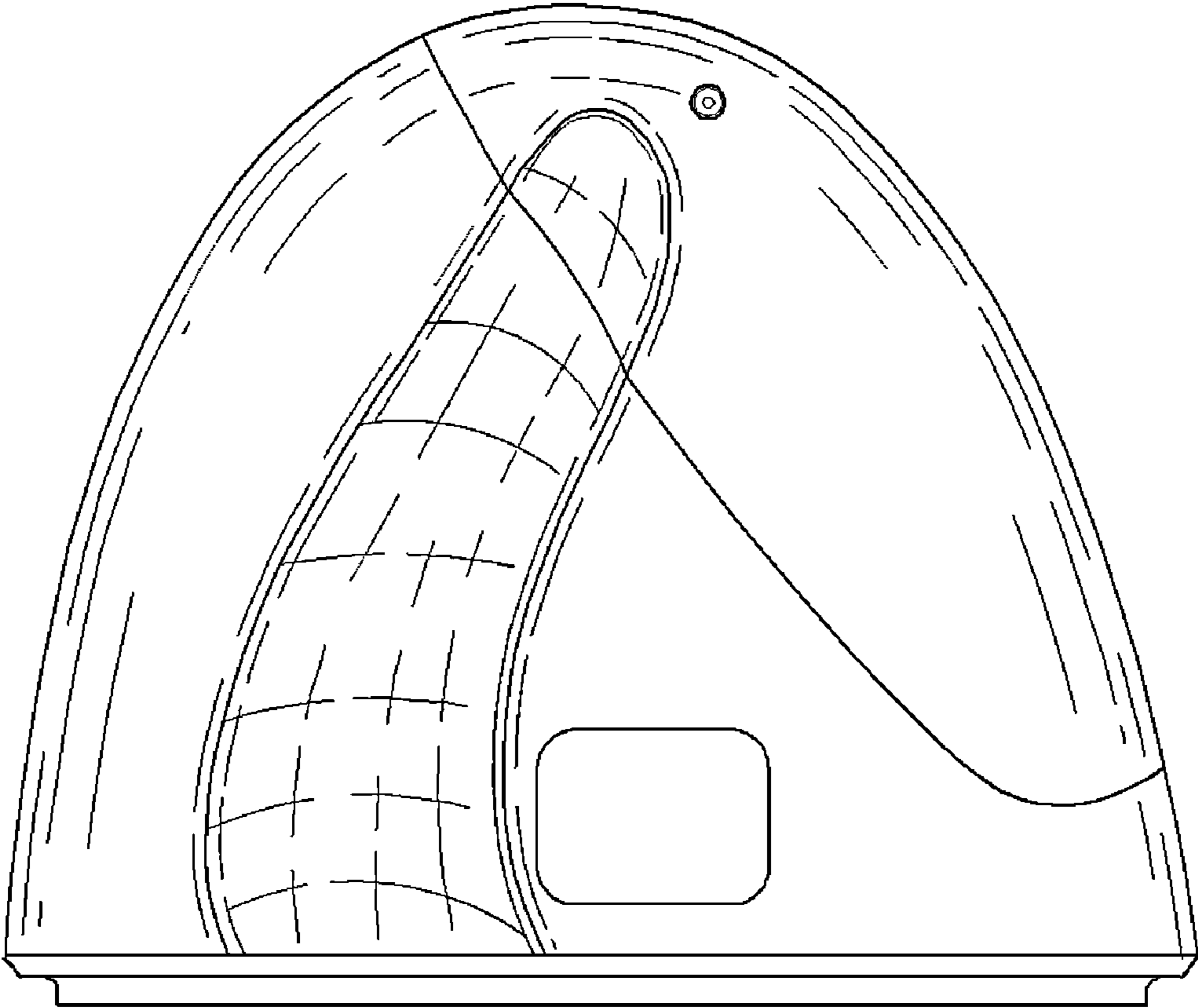


FIG. 3

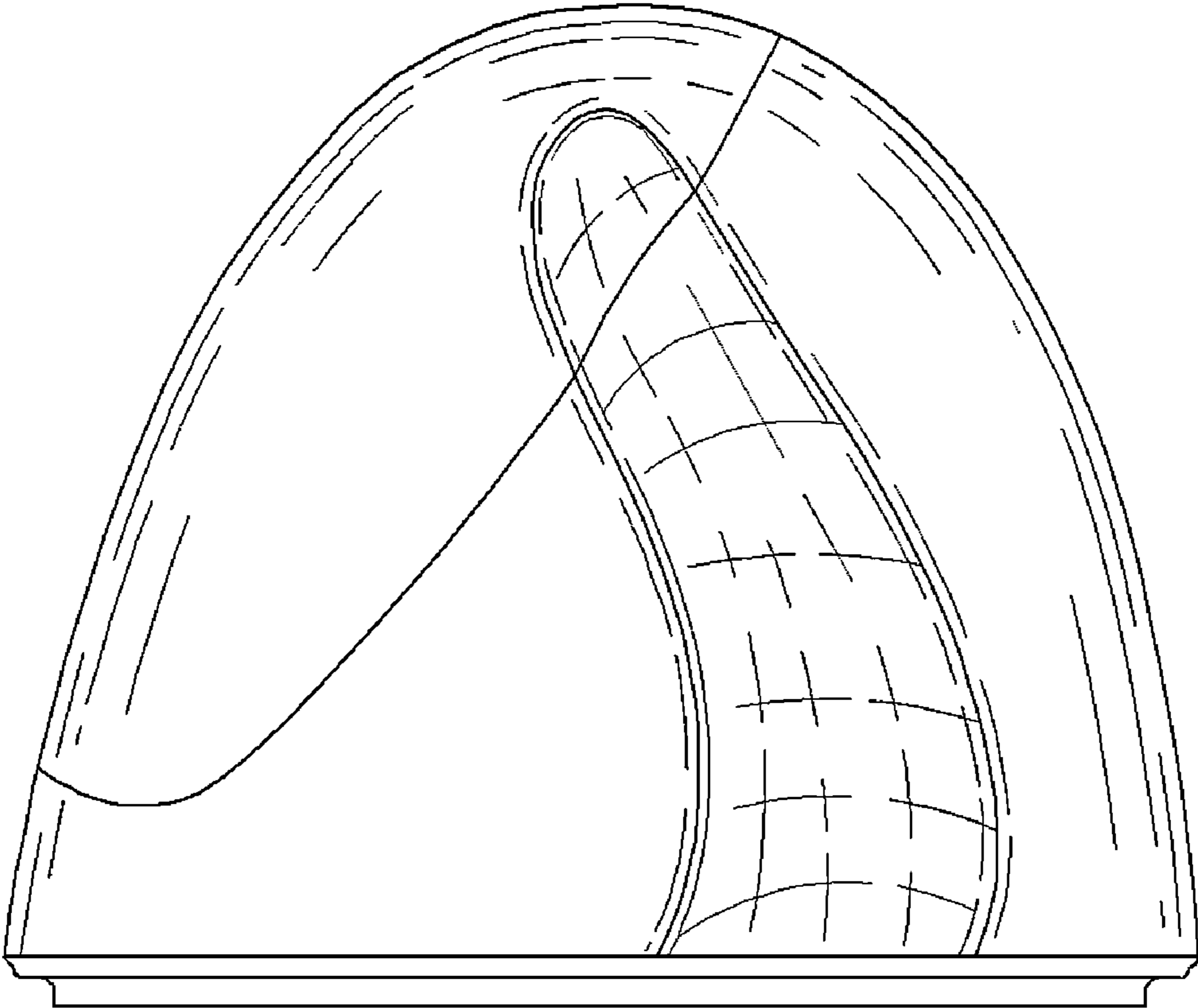


FIG. 4

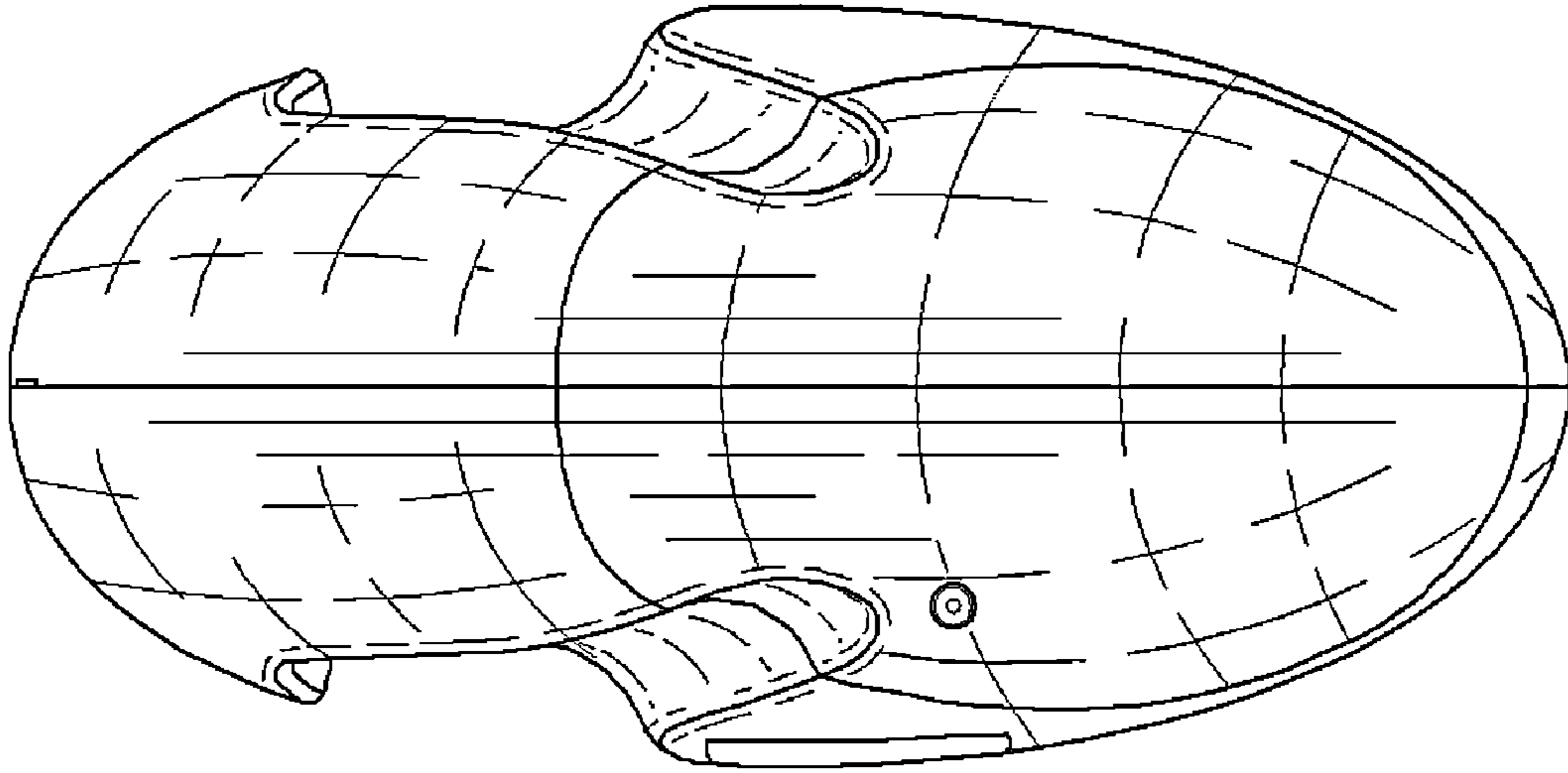


FIG. 5

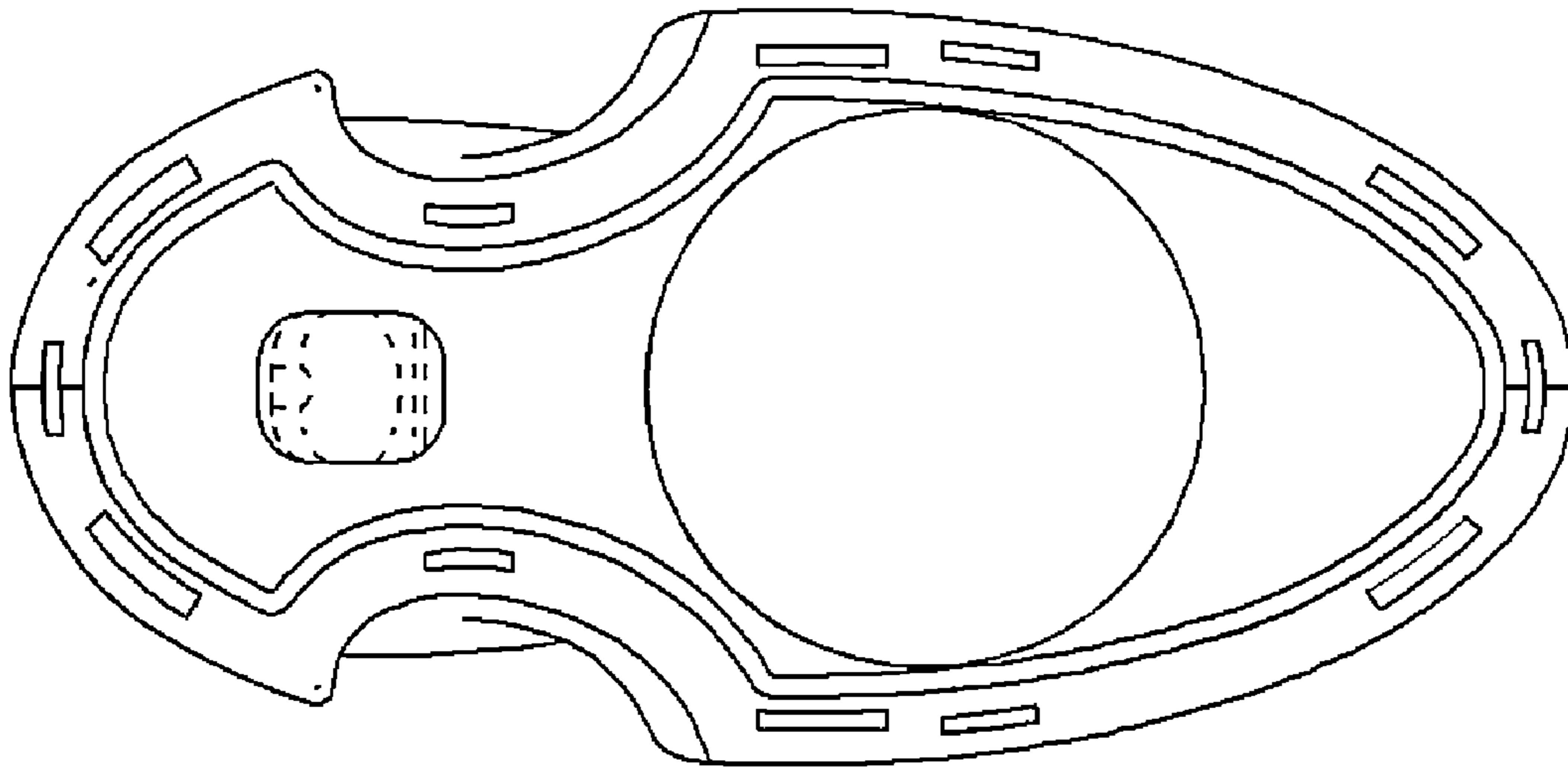


FIG. 6

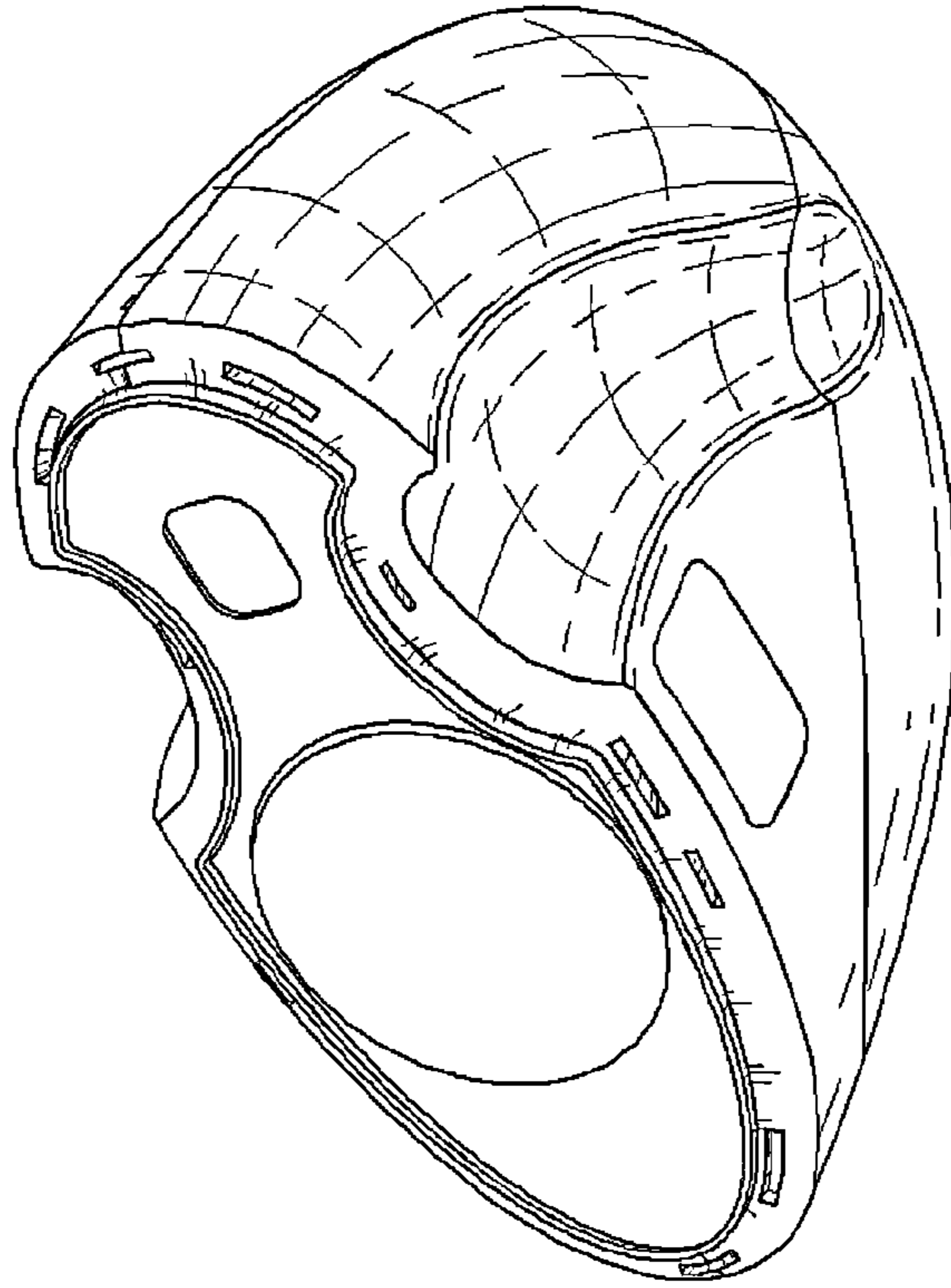


FIG. 7

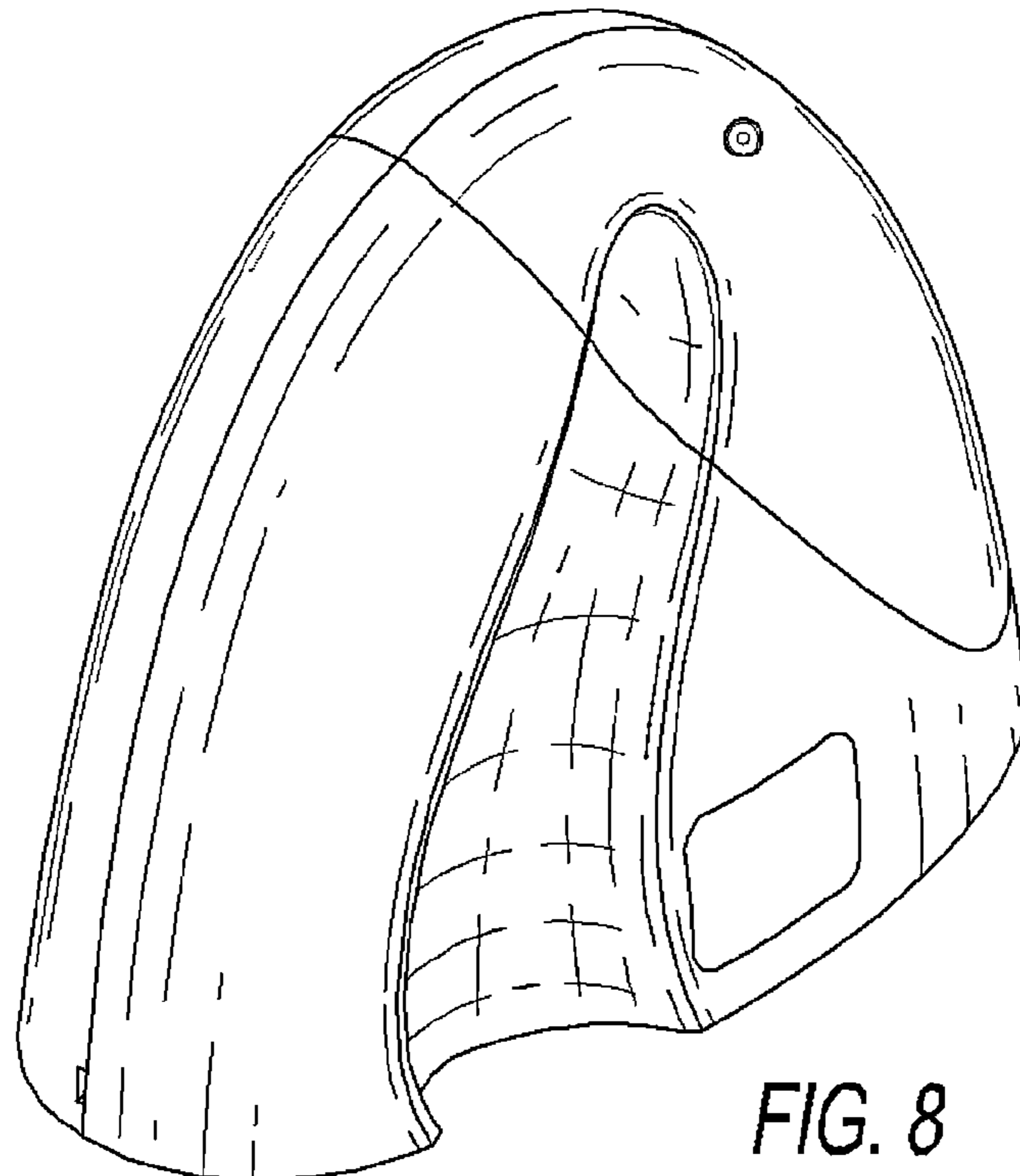


FIG. 8