

US00D678604S

(12) **United States Design Patent**
Coats

(10) **Patent No.:** **US D678,604 S**
(45) **Date of Patent:** **** Mar. 19, 2013**

- (54) **SMOKING AND WATER PIPE**
- (71) Applicant: **Lawrence Coats**, Denver, CO (US)
- (72) Inventor: **Lawrence Coats**, Denver, CO (US)
- (**) Term: **14 Years**
- (21) Appl. No.: **29/434,494**
- (22) Filed: **Oct. 12, 2012**
- (51) **LOC (9) Cl.** **27-02**
- (52) **U.S. Cl.** **D27/162**
- (58) **Field of Classification Search** D27/106,
D27/136, 133, 134, 135, 102, 103, 104, 105,
D27/137, 161, 163, 160, 166, 167, 168, 181,
D27/183, 162, 169, 180, 165, 164, 182, 184,
D27/185, 186, 187, 188, 189, 190; 131/235.1,
131/241, 248, 231, 240.1, 236, 256, 175,
131/173; D9/432, 423; 248/230.8; 431/146,
431/254, 252, 277, 255, 153, 356
See application file for complete search history.

- 4,094,508 A * 6/1978 Kirsch 273/118 R
- D249,071 S * 8/1978 Shepard, Jr. D27/162
- 4,142,536 A 3/1979 DeCarlo
- D256,508 S * 8/1980 Graham D27/162
- D262,145 S * 12/1981 Sher D27/162
- D262,831 S * 1/1982 Sher D27/162
- 4,398,547 A 8/1983 Gillis
- D368,325 S * 3/1996 Heine D27/162
- RE36,595 E * 3/2000 Newman D27/162
- D443,103 S 5/2001 Neason
- D539,978 S 4/2007 Kassir
- D649,699 S 11/2011 Mehio
- D649,705 S 11/2011 Mehio
- 2010/0326453 A1 12/2010 Chaoui

* cited by examiner

Primary Examiner — Kevin Rudzinski
(74) *Attorney, Agent, or Firm* — QuickPatents; Kevin Prince

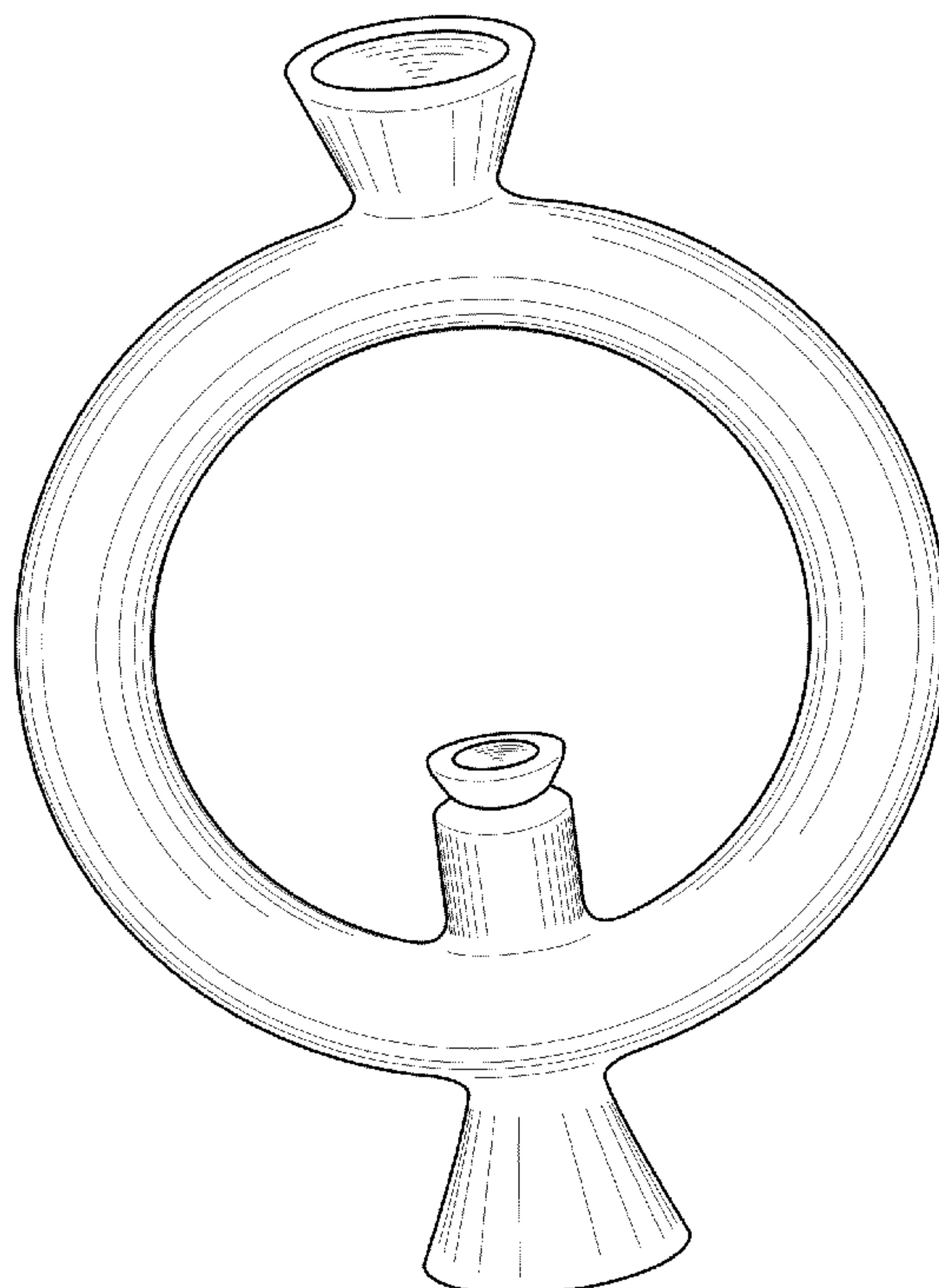
(57) **CLAIM**
I claim the ornamental design for a smoking and water pipe,
as shown and described.

DESCRIPTION

FIG. 1 is a perspective view of a smoking and water pipe,
showing my new design;
FIG. 2 is a front elevational view thereof, the rear elevational
view being a mirror image thereof;
FIG. 3 is a left-side elevational view thereof, the right-side
elevational view being a mirror image thereof;
FIG. 4 is a top plan view thereof; and,
FIG. 5 is a bottom plan view thereof.

1 Claim, 3 Drawing Sheets

- (56) **References Cited**
- U.S. PATENT DOCUMENTS
- D110,594 S 12/1870 Selfe
- 1,241,462 A * 9/1917 Baechtel 131/194
- D98,563 S 2/1936 Wymer
- D230,099 S * 1/1974 Orr D27/162
- D233,178 S 10/1974 Harrison
- D243,256 S * 2/1977 Grihalva D27/162
- D245,343 S * 8/1977 Kahler D27/162



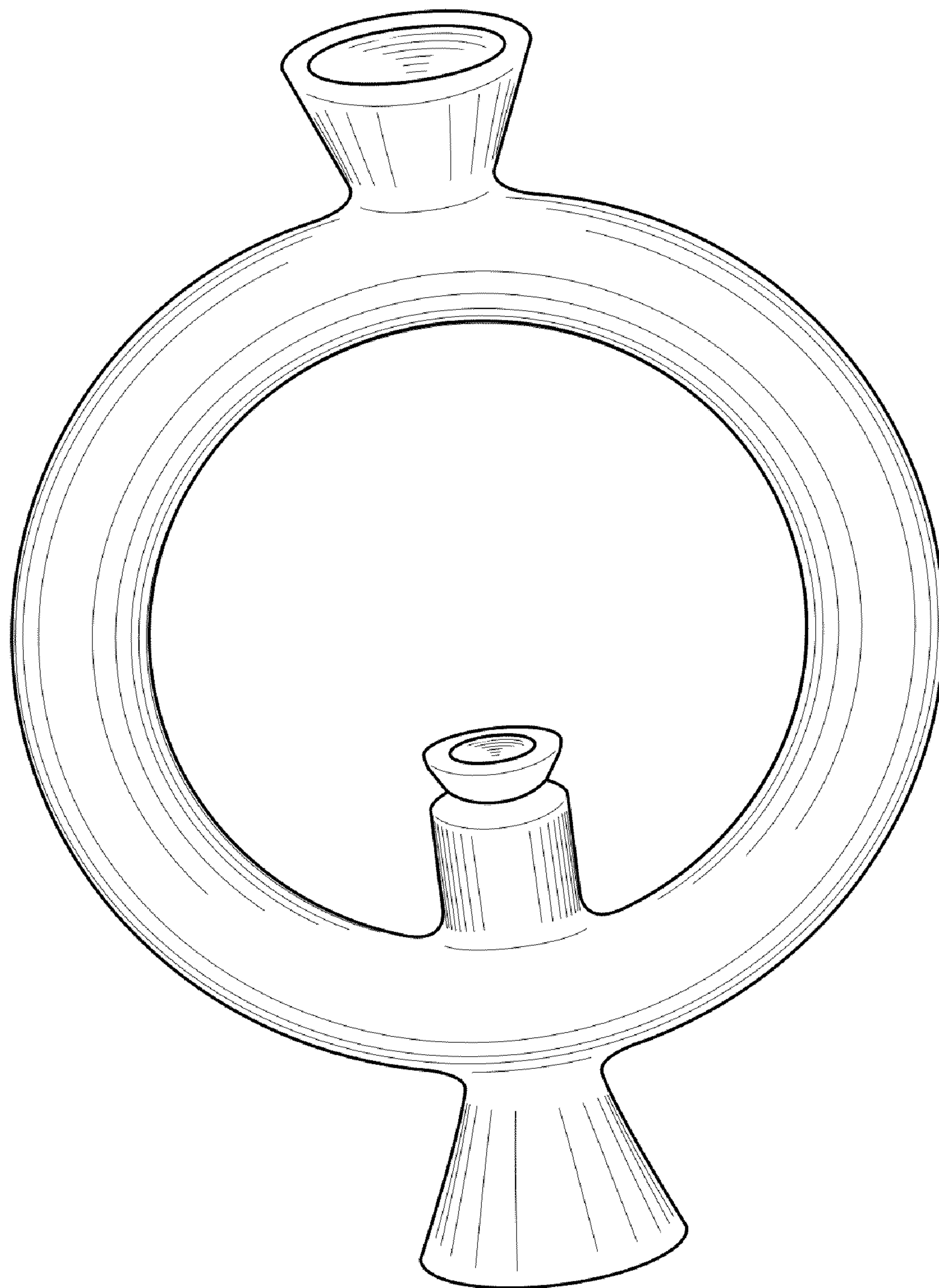


FIG. 1

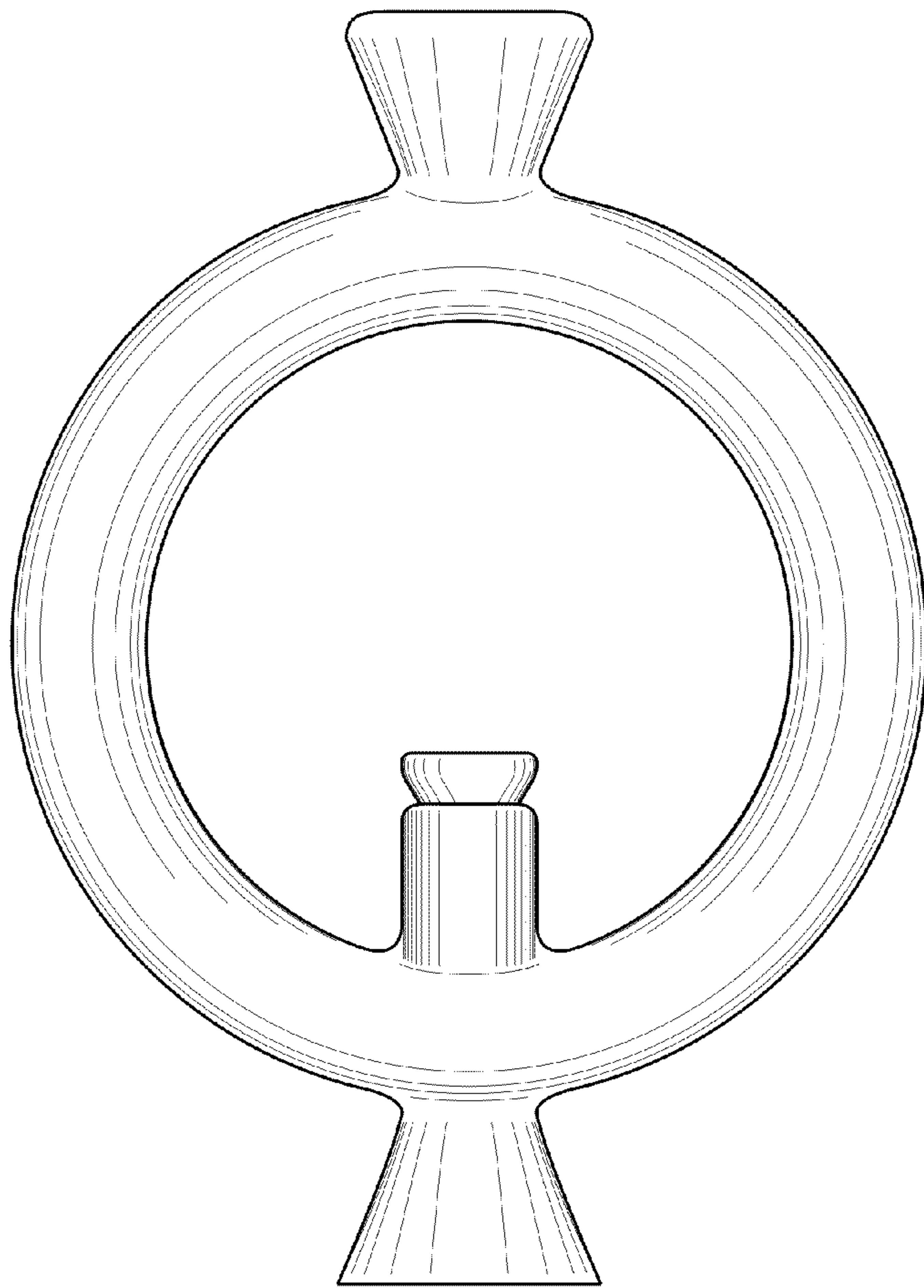


FIG. 2

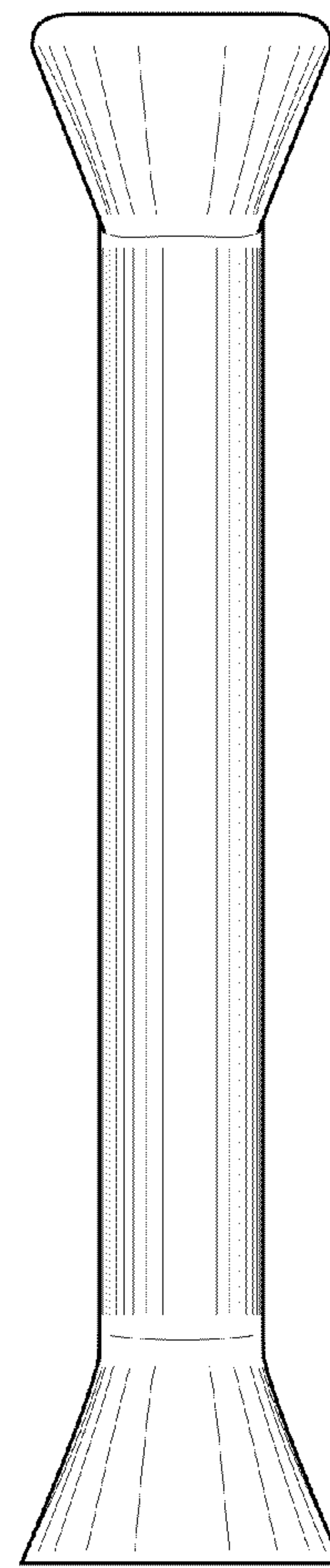


FIG. 3

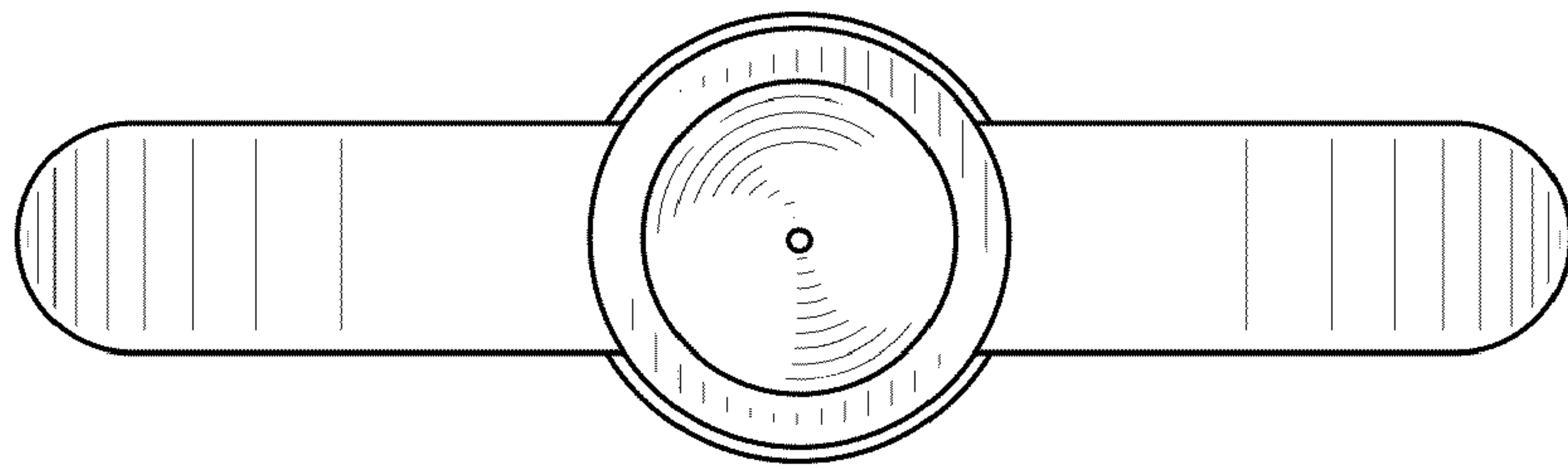


FIG. 4

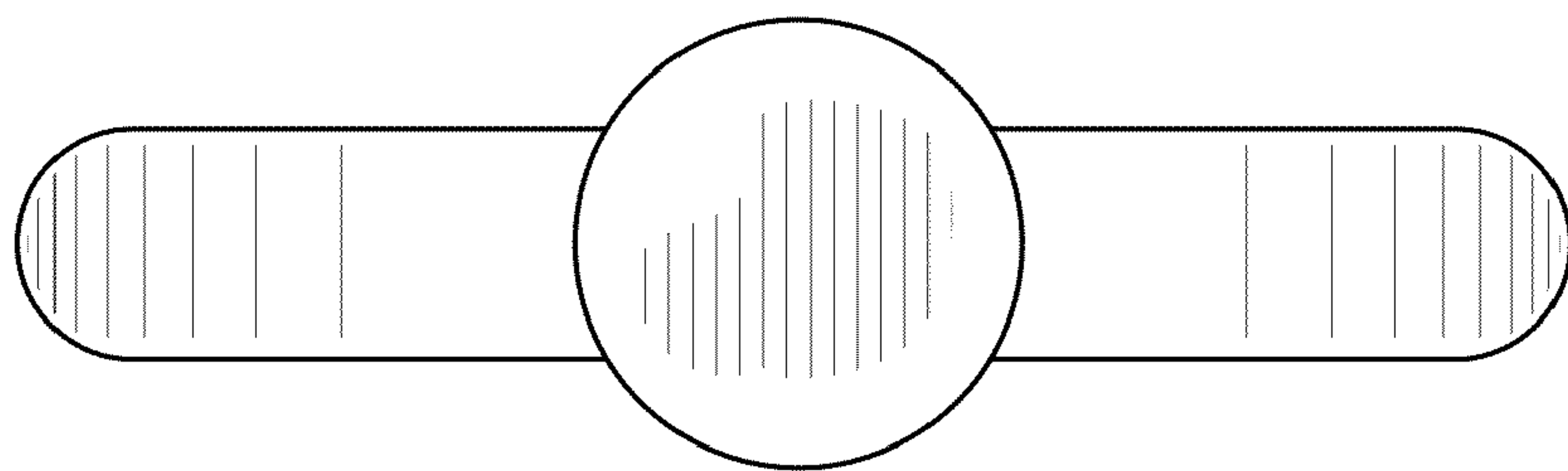


FIG. 5