



US00D678603S

(12) **United States Design Patent**  
**Wygle et al.**

(10) **Patent No.:** **US D678,603 S**  
(45) **Date of Patent:** **\*\* Mar. 19, 2013**

(54) **LIGHTER HOLDER**

(75) Inventors: **Christopher S. Wygle**, Sand Springs, OK (US); **William R. Foster**, Sand Springs, OK (US)

(73) Assignee: **Elevated Concepts, LLC**, Newark, DE (US)

(\*\*) Term: **14 Years**

(21) Appl. No.: **29/425,347**

(22) Filed: **Jun. 21, 2012**

(51) **LOC (9) Cl.** ..... **27-05**

(52) **U.S. Cl.** ..... **D27/161**

(58) **Field of Classification Search** ..... D27/161,  
D27/142-144, 153, 172, 180, 193; D7/416,  
D7/417; D9/776, 783, 444; 248/228.3, 230.1,  
248/230.8

See application file for complete search history.

(56) **References Cited**

U.S. PATENT DOCUMENTS

1,720,589	A	7/1929	Danab	
2,536,721	A	1/1951	Caldwell	
2,769,219	A	11/1956	Elkavich	
D247,921	S *	5/1978	Goldberg	D3/226
4,176,773	A	12/1979	Wilkinson	
D283,734	S *	5/1986	Parren	D27/153
4,718,126	A	1/1988	Slay	
D297,771	S *	9/1988	Thomas	D3/226
D298,972	S	12/1988	Schauer	
D367,943	S	3/1996	Tien	
5,788,479	A	8/1998	Galanos et al.	
D402,400	S *	12/1998	Pausinger	D27/161
D432,263	S *	10/2000	Issa	D27/191
6,196,382	B1	3/2001	Lenderman	
D443,387	S	6/2001	Torres et al.	
6,430,782	B1	8/2002	Torres et al.	
6,641,390	B2	11/2003	Genuise	
D484,274	S *	12/2003	Shioi	D27/161

D526,743	S	8/2006	Battista, III et al.	
D552,791	S *	10/2007	Toffler	D27/161
D596,788	S *	7/2009	Fuente	D27/189
D617,495	S *	6/2010	LoRe	D27/172
D617,942	S *	6/2010	LoRe	D27/172
D618,392	S *	6/2010	LoRe	D27/172
D636,119	S *	4/2011	Worlock	D27/161
2008/0142026	A1	6/2008	Chou	
2012/0012723	A1 *	1/2012	Mansfield	248/230.8

OTHER PUBLICATIONS

Tokeez Lighter Holder-Water Pipe, [online], [site visited Nov. 9, 2012]. Available from Internet, <URL: <http://tookeez.myshopify.com/products/tokeez-lighter-holder-water-pipe>>.\*

Lighterbuddy, [online], [site visited Nov. 9, 2012]. Available from Internet, <URL: <http://shop.lighterbuddy.com/products.php?cat=7>>.\*

\* cited by examiner

*Primary Examiner* — Robert M Spear

*Assistant Examiner* — Janice Hallmark

(74) *Attorney, Agent, or Firm* — Gable Gotwals

(57) **CLAIM**

The ornamental design for a lighter holder, as shown and described.

**DESCRIPTION**

FIG. 1 is a front elevation view of a lighter holder having the new design.

FIG. 2 is a top plan view thereof.

FIG. 3 is a rear elevation view thereof.

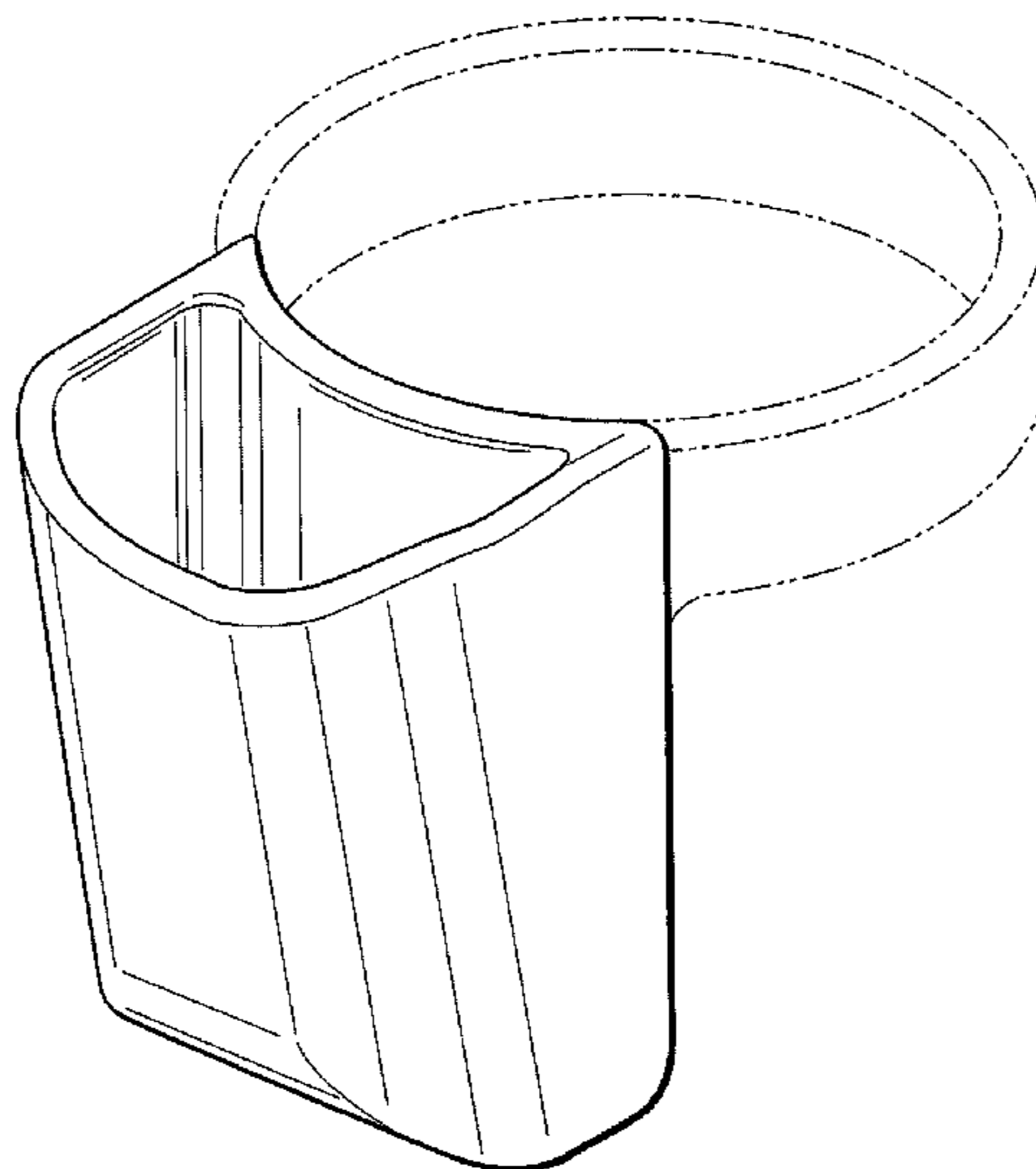
FIG. 4 is a right side elevation view thereof, the left side being the mirror opposite.

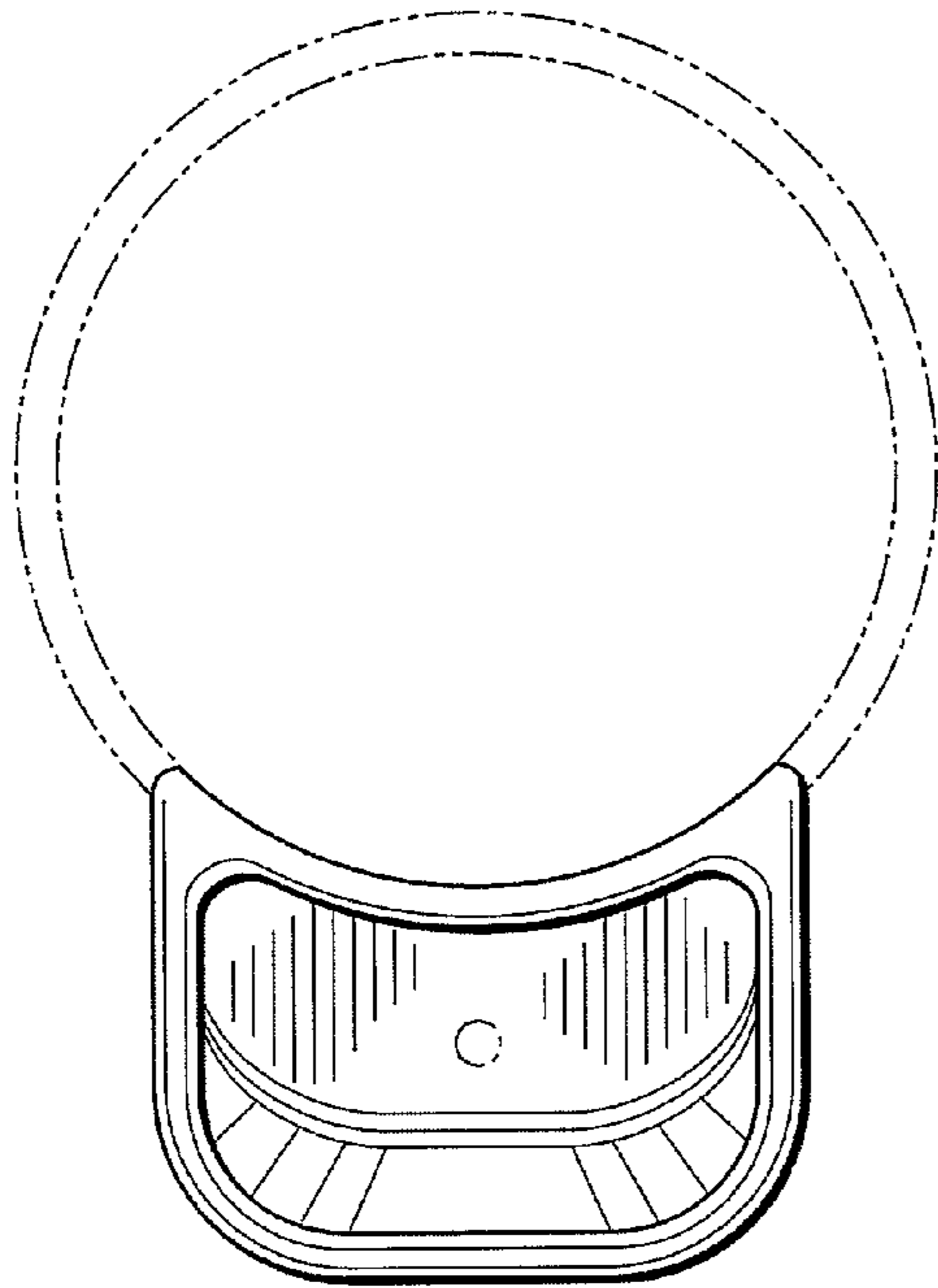
FIG. 5 is a bottom plan view thereof; and,

FIG. 6 is a perspective view showing the front, top, and right side.

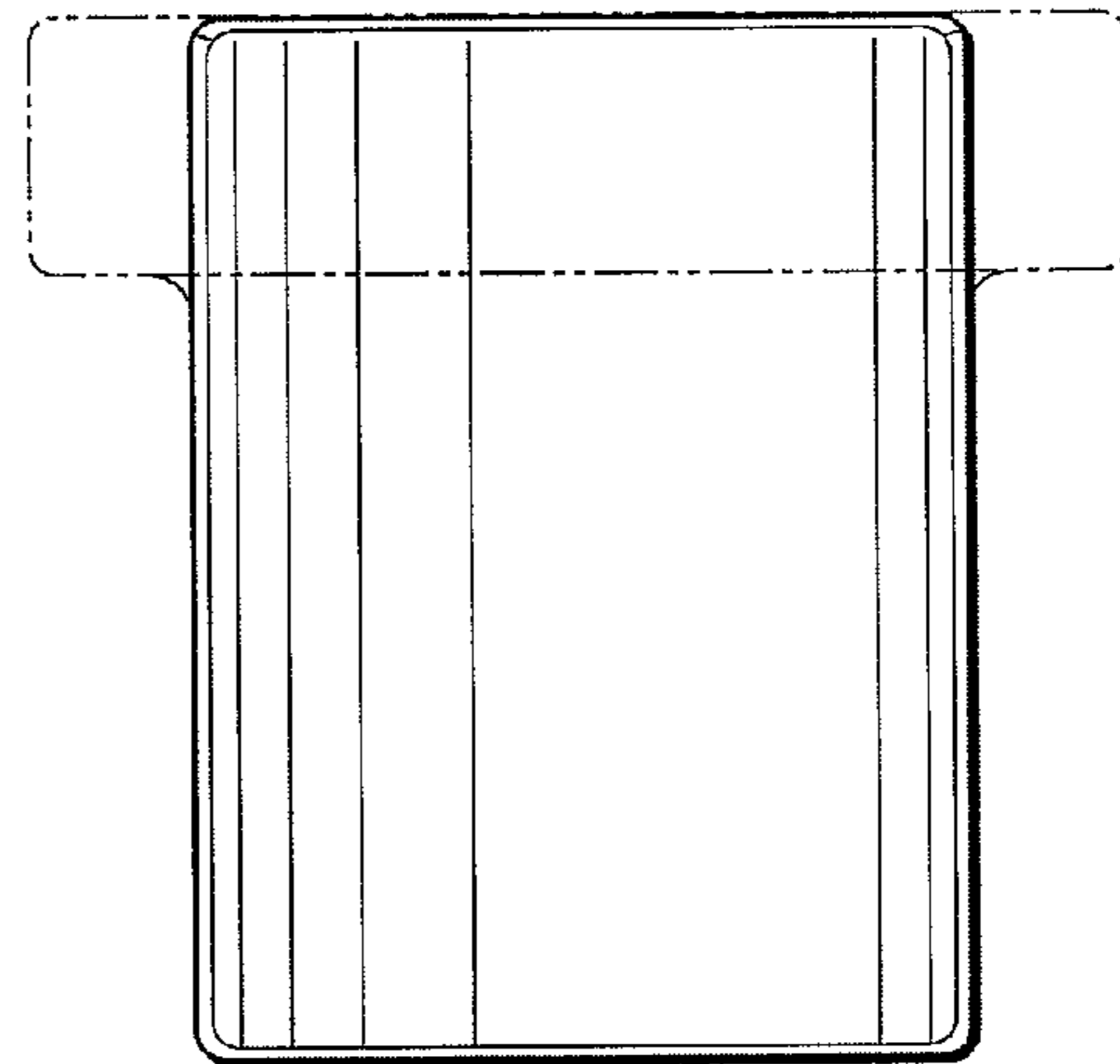
In the drawings the broken lines depict unclaimed environment.

**1 Claim, 2 Drawing Sheets**

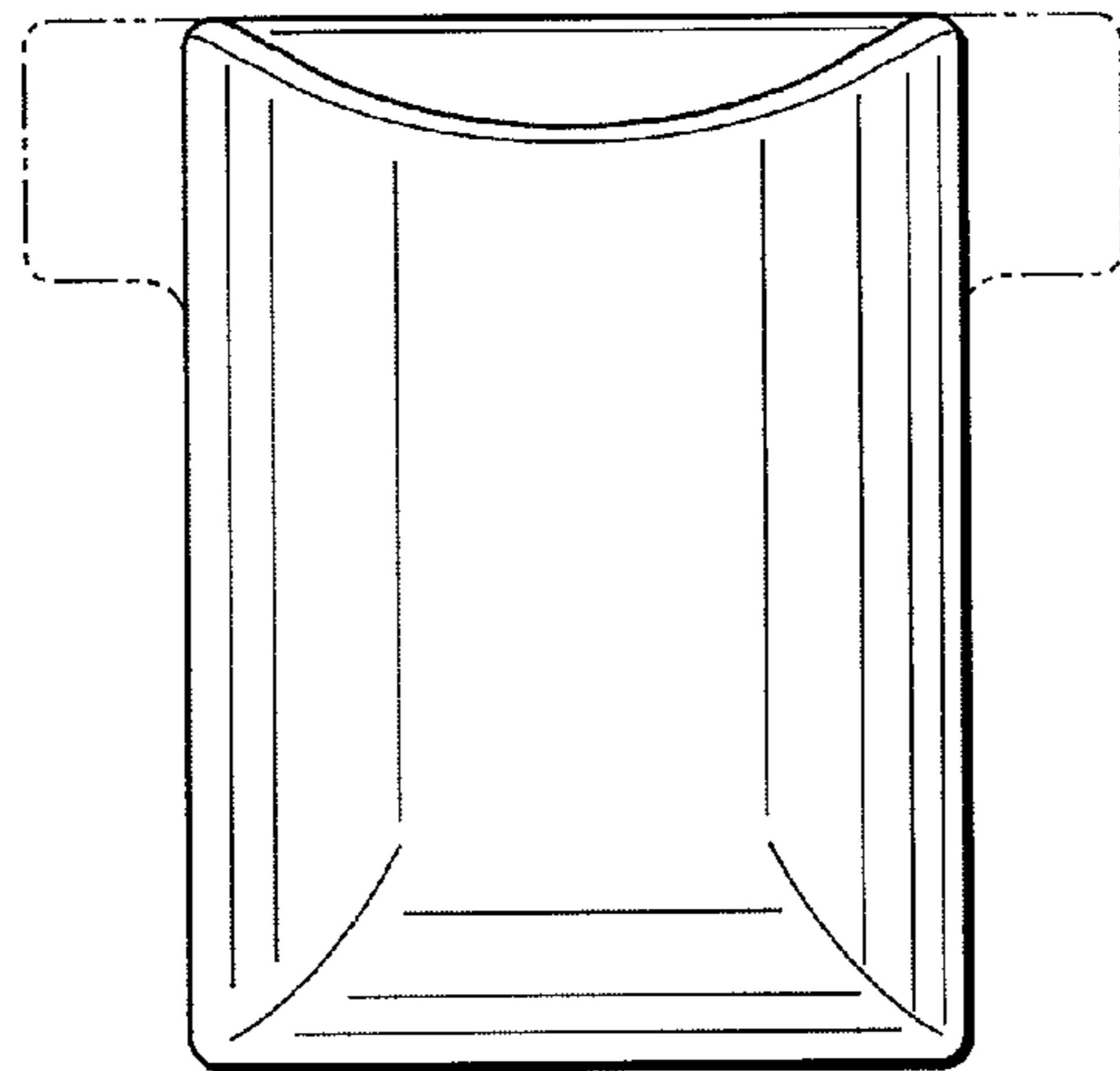




*Fig. 2*

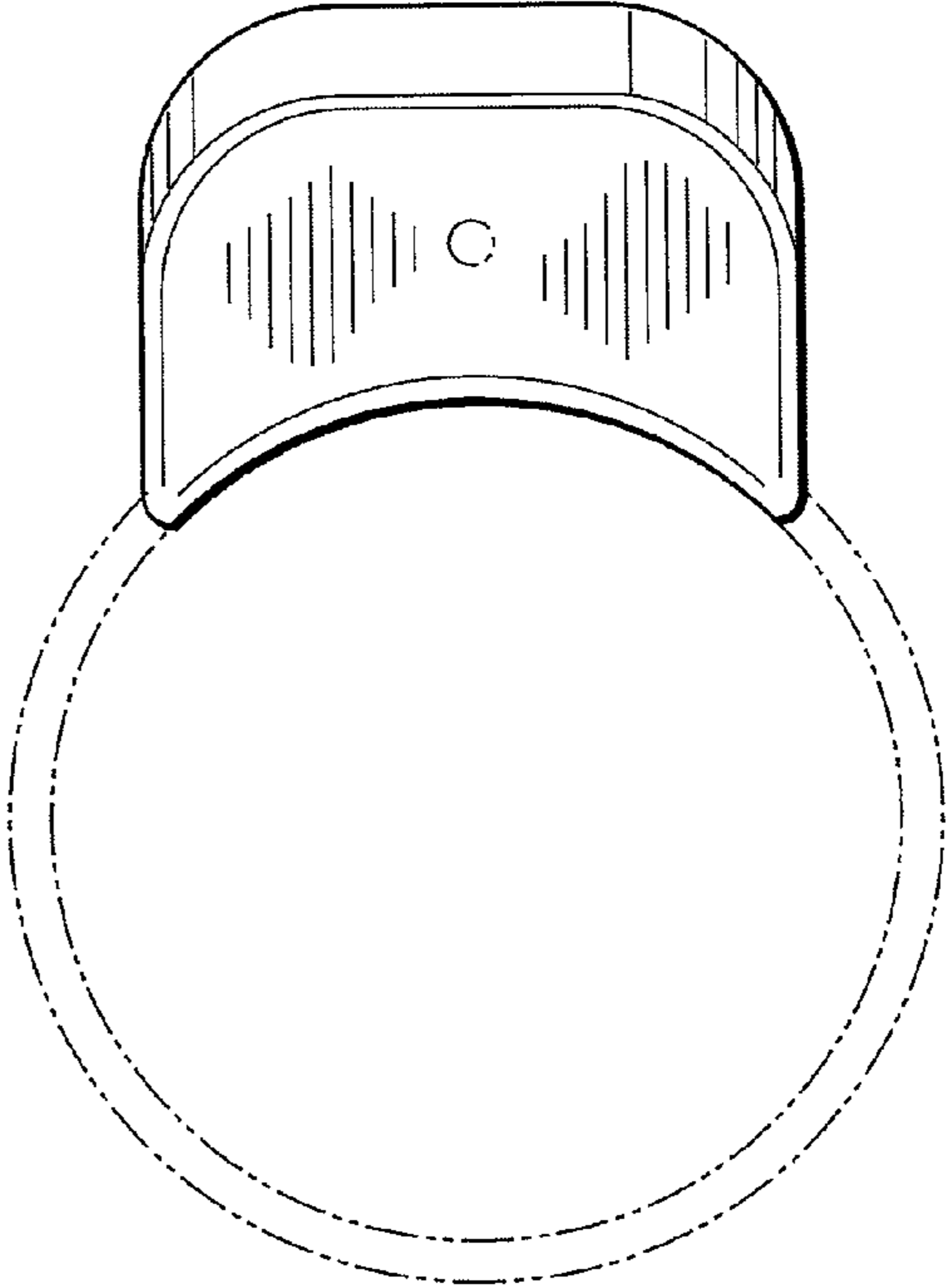
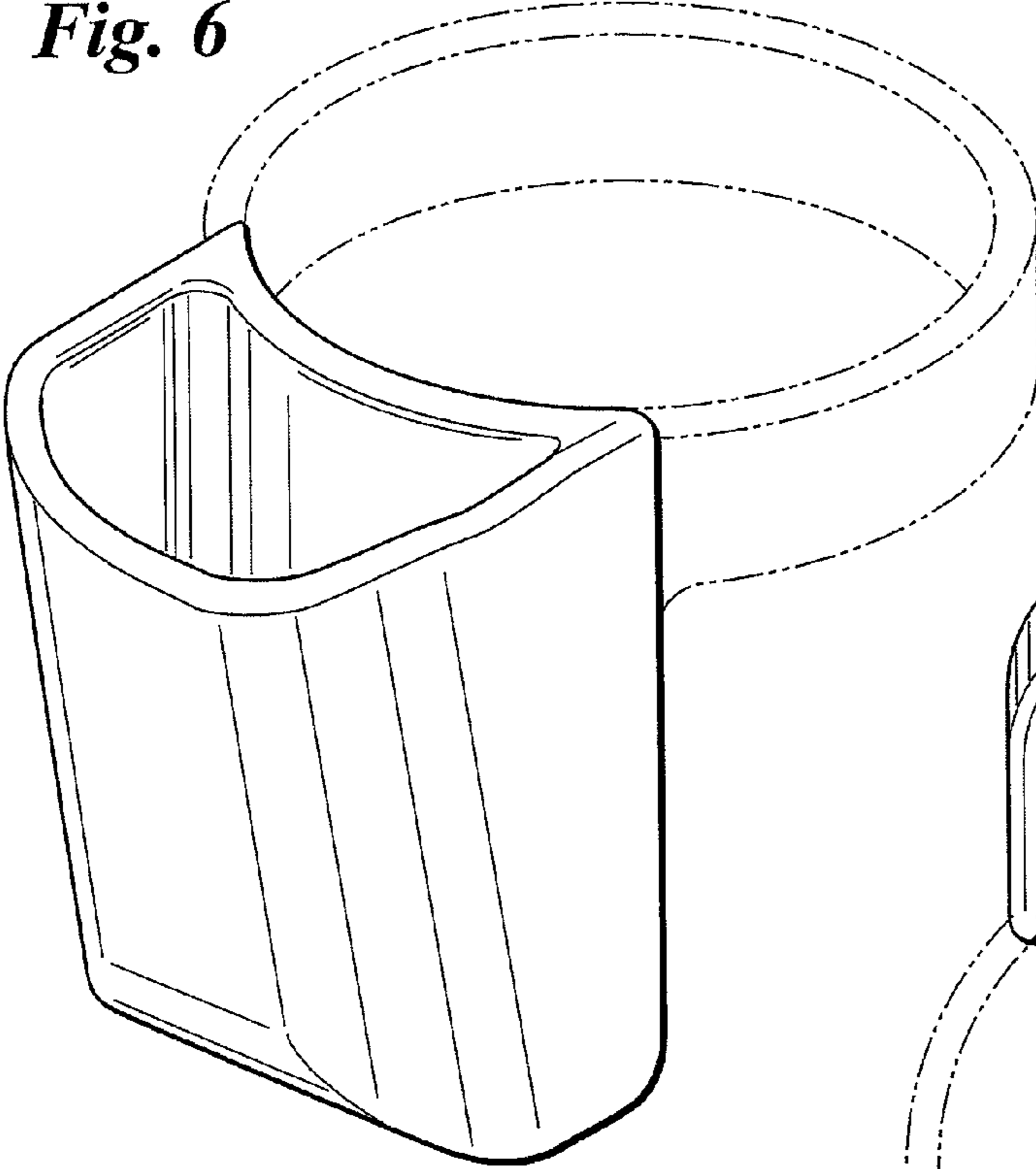


*Fig. 3*

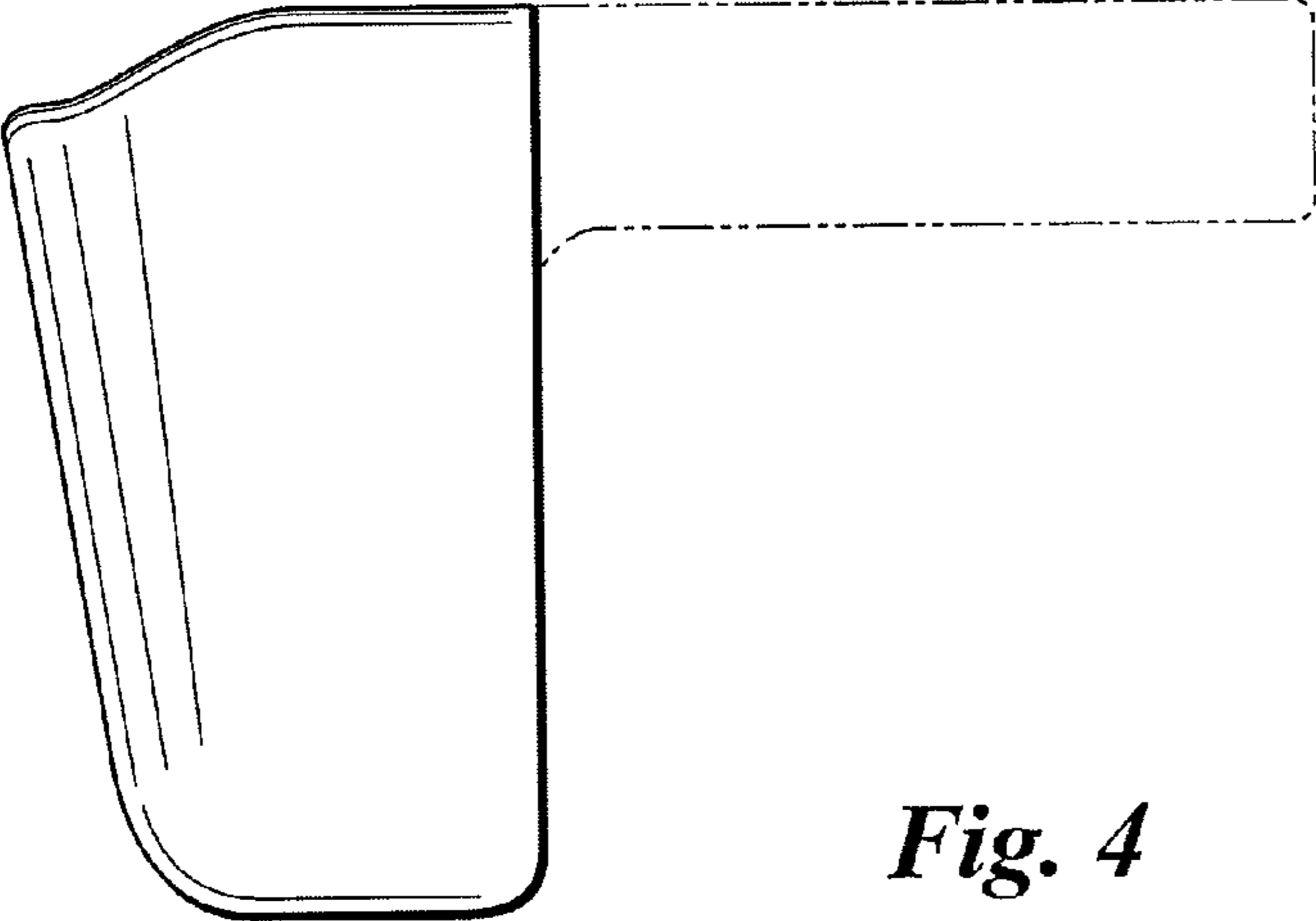


*Fig. 1*

*Fig. 6*



*Fig. 5*



*Fig. 4*