

US00D678602S

(12) **United States Design Patent**
Melograno

(10) **Patent No.:** **US D678,602 S**
(45) **Date of Patent:** **** Mar. 19, 2013**

(54) **CORDLESS ELECTRONIC LIGHTER**

(76) Inventor: **Richard P. Melograno**, Gardena, CA
(US)

(**) Term: **14 Years**

(21) Appl. No.: **29/416,078**

(22) Filed: **Mar. 18, 2012**

(51) **LOC (9) Cl.** **27-05**

(52) **U.S. Cl.** **D27/152**

(58) **Field of Classification Search** D27/139,
D27/141-143, 147, 153, 154, 160; 431/126,
431/151, 153, 253-255, 267, 273-277
See application file for complete search history.

(56) **References Cited**

U.S. PATENT DOCUMENTS

D84,730 S *	7/1931	Belt	D27/152
D96,376 S *	7/1935	Florman	D27/160
D190,785 S *	6/1961	Kruck	D9/687
D225,449 S *	12/1972	Strzelczyk	D27/154
D226,220 S *	1/1973	Rams	D27/154
D227,924 S *	7/1973	Goto	D27/154
D365,889 S *	1/1996	Kim	D27/147
D453,890 S *	2/2002	Chevalier	D7/416
D470,624 S *	2/2003	Chemla et al.	D27/152
D492,063 S *	6/2004	Reynolds	D27/152
D509,020 S *	8/2005	Lindsey	D27/142
D514,740 S *	2/2006	Smith	D27/152
D538,463 S *	3/2007	Chuang	D27/143

OTHER PUBLICATIONS

Embur—The Original Cordless Electronic Lighter, [online], [site visited Oct. 25, 2012]. Available from Internet, <URL: <http://www.emburlite.com>>.*

* cited by examiner

Primary Examiner — Robert M Spear

Assistant Examiner — Janice Hallmark

(74) *Attorney, Agent, or Firm* — Paul B. Heynssens Attorney at Law PLC

(57) **CLAIM**

The ornamental design for a cordless electronic lighter, as shown and described.

DESCRIPTION

FIG. 1 is a front perspective view of a cordless electronic lighter showing my new design;

FIG. 2 is a top view thereof;

FIG. 3 is a bottom view thereof;

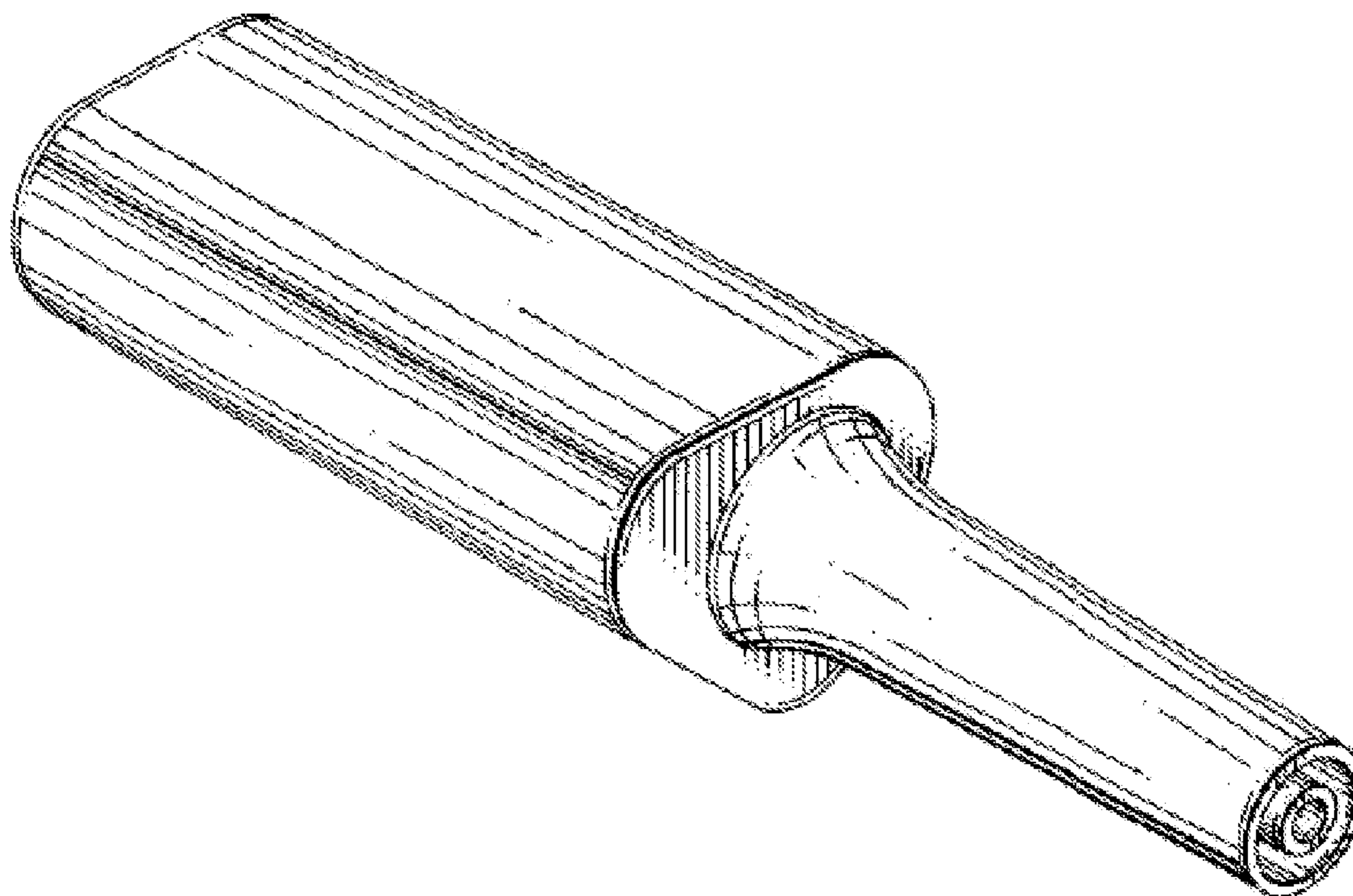
FIG. 4 is a front view of a first side of three sides thereof;

FIG. 5 is a left side view of the second side of three sides thereof; and,

FIG. 6 is a right side view of the third side of three sides thereof.

The broken lines in the drawings represent unclaimed environmental subject matter.

1 Claim, 2 Drawing Sheets



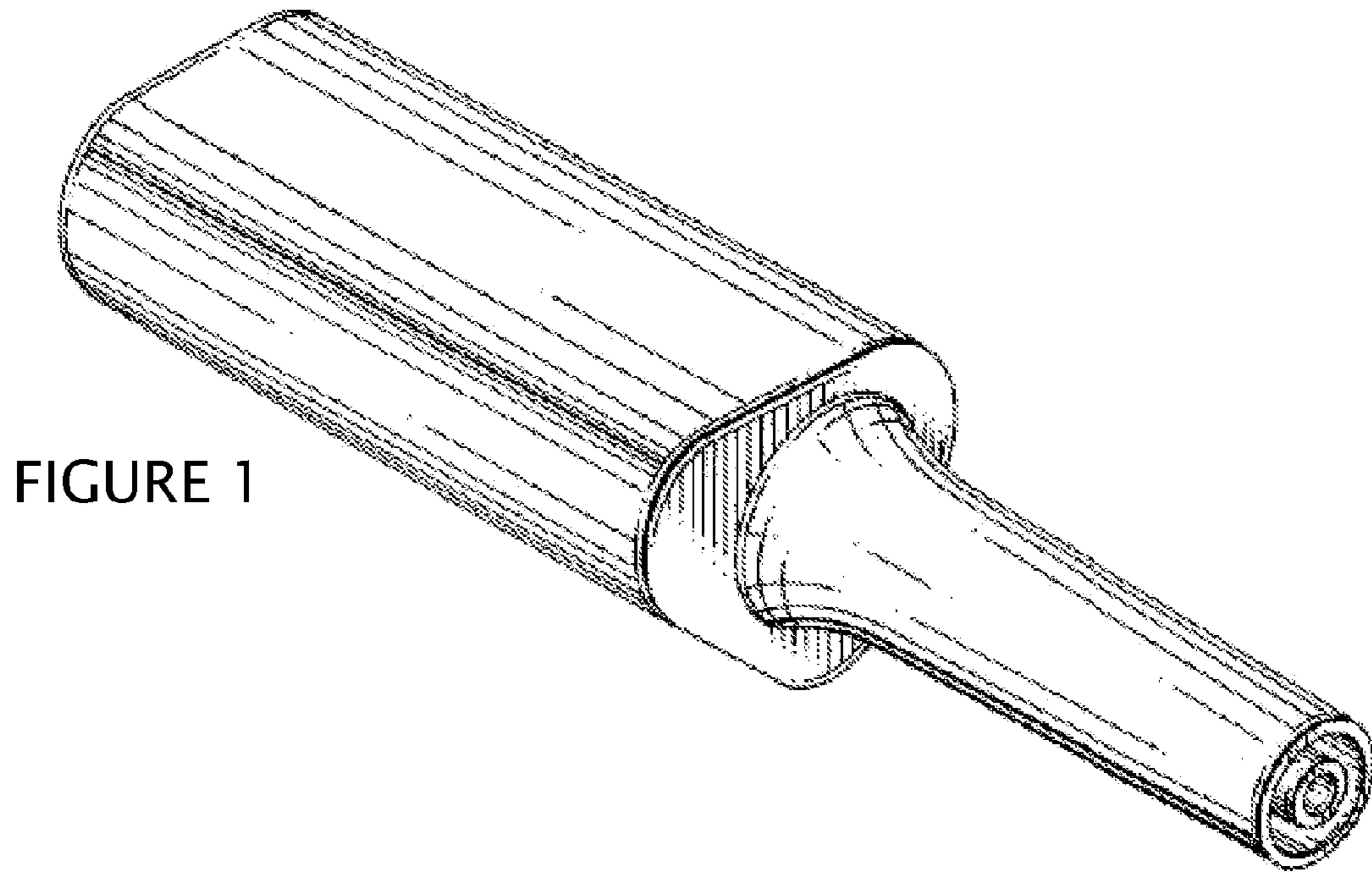


FIGURE 1

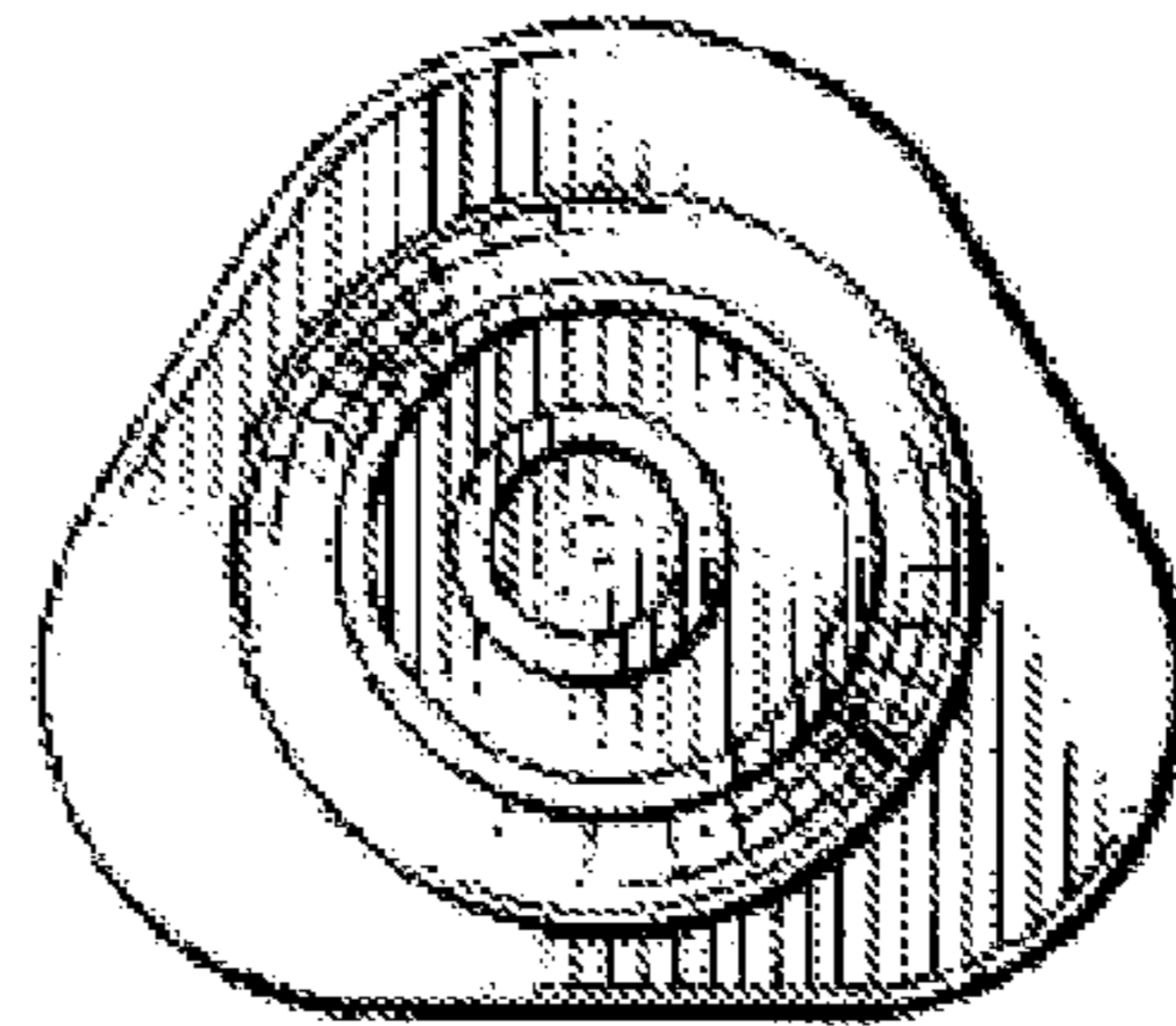


FIGURE 2

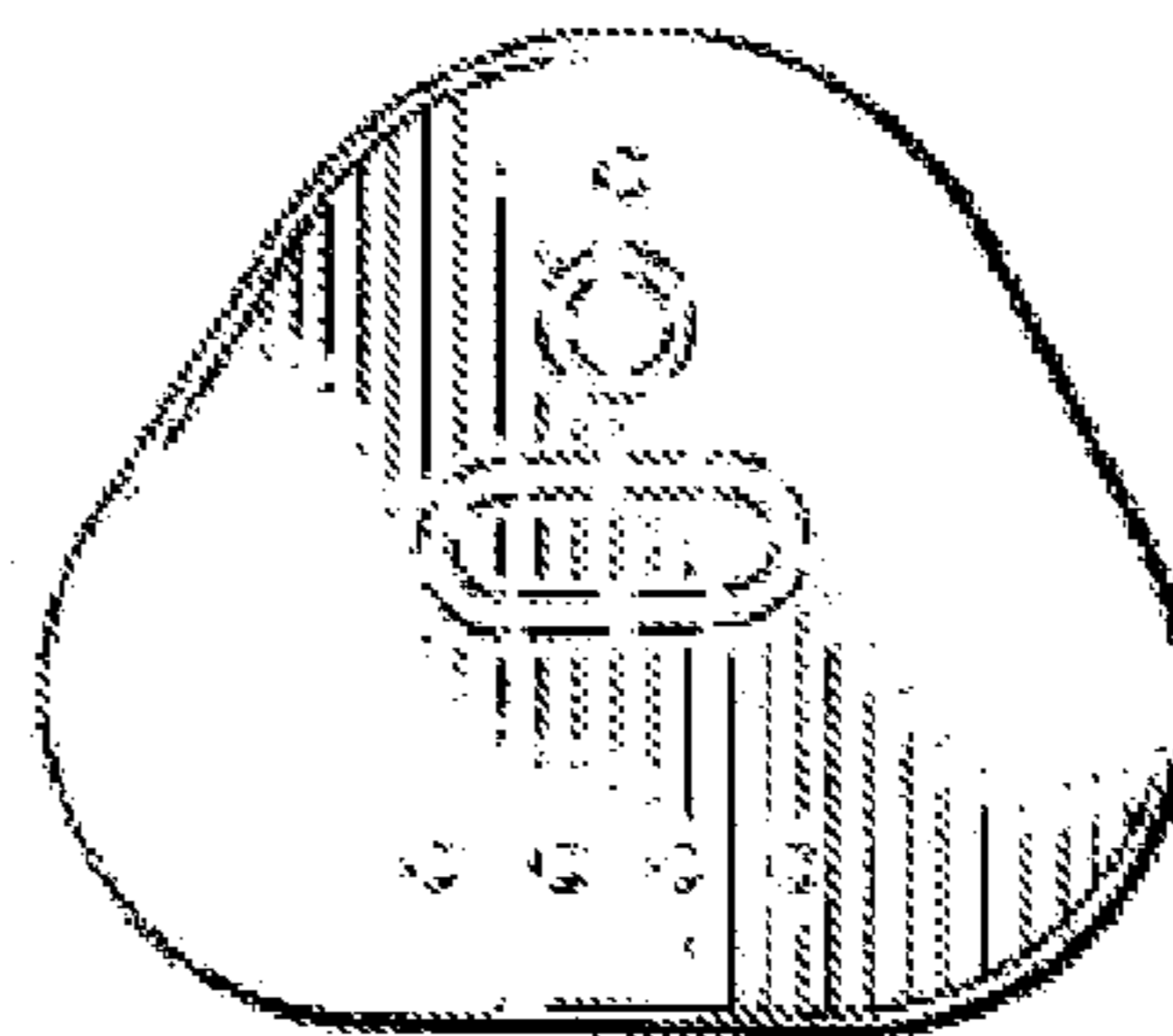


FIGURE 3

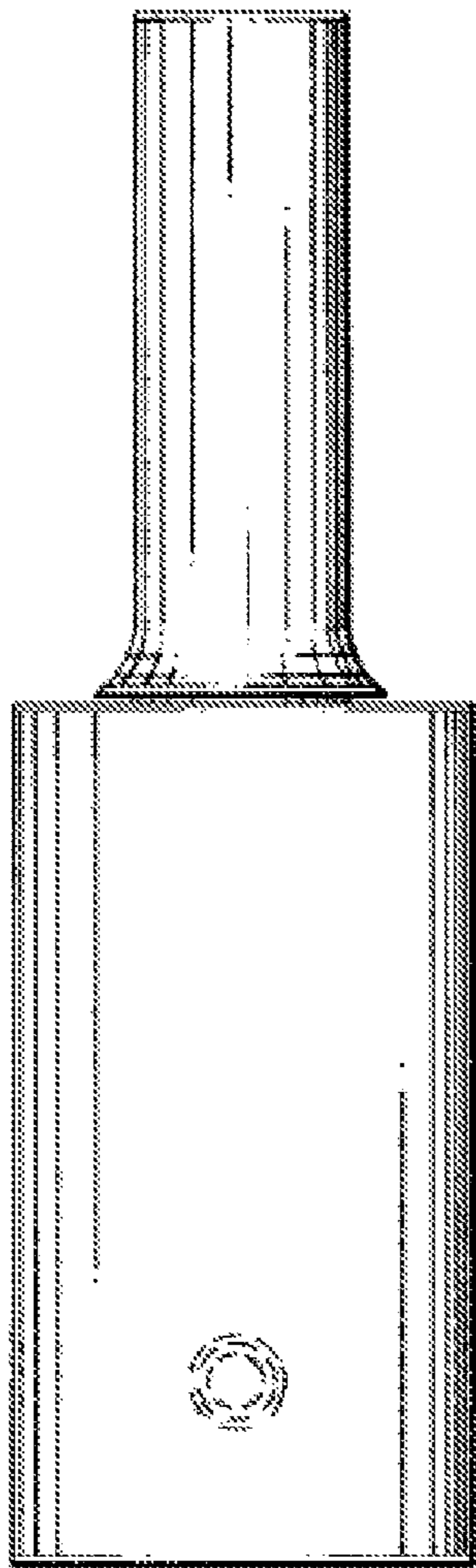


FIGURE 4

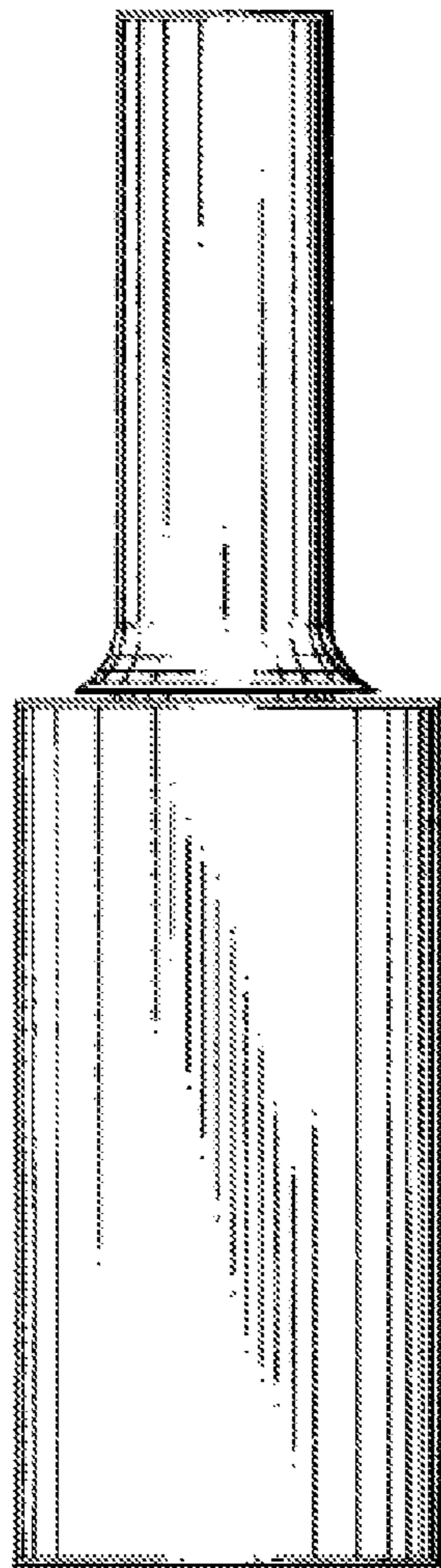


FIGURE 5

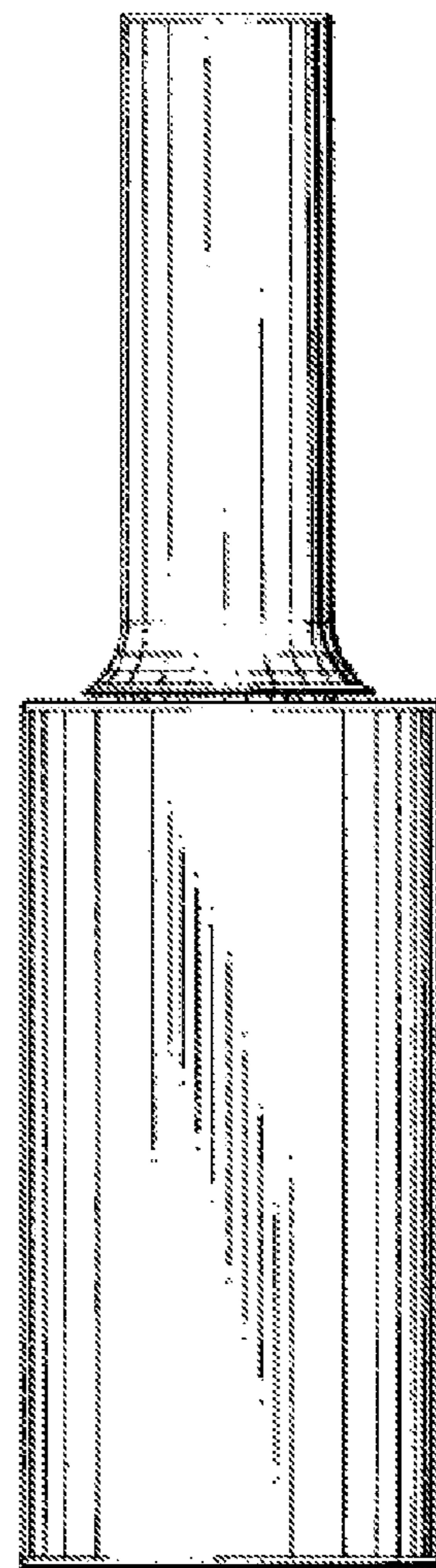


FIGURE 6