



US00D678598S

(12) **United States Design Patent**
Wu et al.

(10) **Patent No.:** **US D678,598 S**
(45) **Date of Patent:** **** Mar. 19, 2013**

(54) **LENS FOR LIGHT EMITTING DIODE**

(75) Inventors: **Chun-Te Wu**, Yangmei (TW);
Chia-Tsen Huang, Yangmei (TW);
Hsiu-Ju Chang, Yangmei (TW)

(73) Assignee: **Walsin Lihwa Corporation**, Yangmei,
Taoyuan County (TW)

(**) Term: **14 Years**

(21) Appl. No.: **29/427,342**

(22) Filed: **Jul. 17, 2012**

(30) **Foreign Application Priority Data**

Mar. 14, 2012 (TW) 101301381

(51) **LOC (9) Cl.** **26-99**

(52) **U.S. Cl.** **D26/120**

(58) **Field of Classification Search** D26/118,
D26/124, 120, 122, 119, 128, 138, 145, 155,
D26/1, 2, 113, 121, 123, 72, 73, 74, 75, 76,
D26/77, 78, 79, 62, 64, 68, 69, 85, 86, 88,
D26/125, 129, 135, 136, 139, 140, 141, 142,
D26/143, 144, 152, 153, 148, 149, 150, 151,
D26/154, 156, 61, 54, 52, 24, 25, 26, 28,
D26/36, 35, 42, 45, 53, 55, 81, 82, 83, 84,
D26/60, 63, 87, 37; 362/294, 307, 249.01–249.12,
362/549, 345, 225, 364, 326, 362, 363, 147,
362/148, 149, 223, 224, 555, 556, 218, 331,
362/613, 620, 97.1, 97.3; D13/179, 180
See application file for complete search history.

(56) **References Cited**

U.S. PATENT DOCUMENTS

D367,829 S * 3/1996 Takigawa D10/132
D412,924 S * 8/1999 Hiraguchi D16/219
D465,599 S * 11/2002 Thompson D26/89
6,488,386 B1 * 12/2002 Yan 362/216
6,590,235 B2 * 7/2003 Carey et al. 257/98

D523,333 S * 6/2006 Moretti D9/444
7,081,644 B2 * 7/2006 Flaherty et al. 257/98
7,211,835 B2 * 5/2007 Ono 257/99
D567,773 S * 4/2008 Kamada D13/180
D592,159 S * 5/2009 Ono et al. D13/180
D593,229 S * 5/2009 Hanley D26/28
D598,579 S * 8/2009 Hanley D26/1
D615,933 S * 5/2010 Ono et al. D13/180
D618,636 S * 6/2010 Hsieh D13/180
D637,164 S * 5/2011 Hsieh D13/180
D640,643 S * 6/2011 Hsieh D13/180
D640,645 S * 6/2011 Andrews et al. D13/182
D643,381 S * 8/2011 Hsieh D13/180
D651,989 S * 1/2012 Lin D13/180
D666,353 S * 8/2012 Lin et al. D26/124
D670,010 S * 10/2012 Lin D26/1
2004/0041222 A1 * 3/2004 Loh 257/433
2006/0220049 A1 * 10/2006 Flaherty et al. 257/98
2007/0205419 A1 * 9/2007 Ono et al. 257/79
2008/0054286 A1 * 3/2008 Loh et al. 257/98
2009/0122514 A1 * 5/2009 Yoon et al. 362/84

* cited by examiner

Primary Examiner — Kevin Rudzinski

(74) *Attorney, Agent, or Firm* — McClure, Qualey & Rodack, LLP

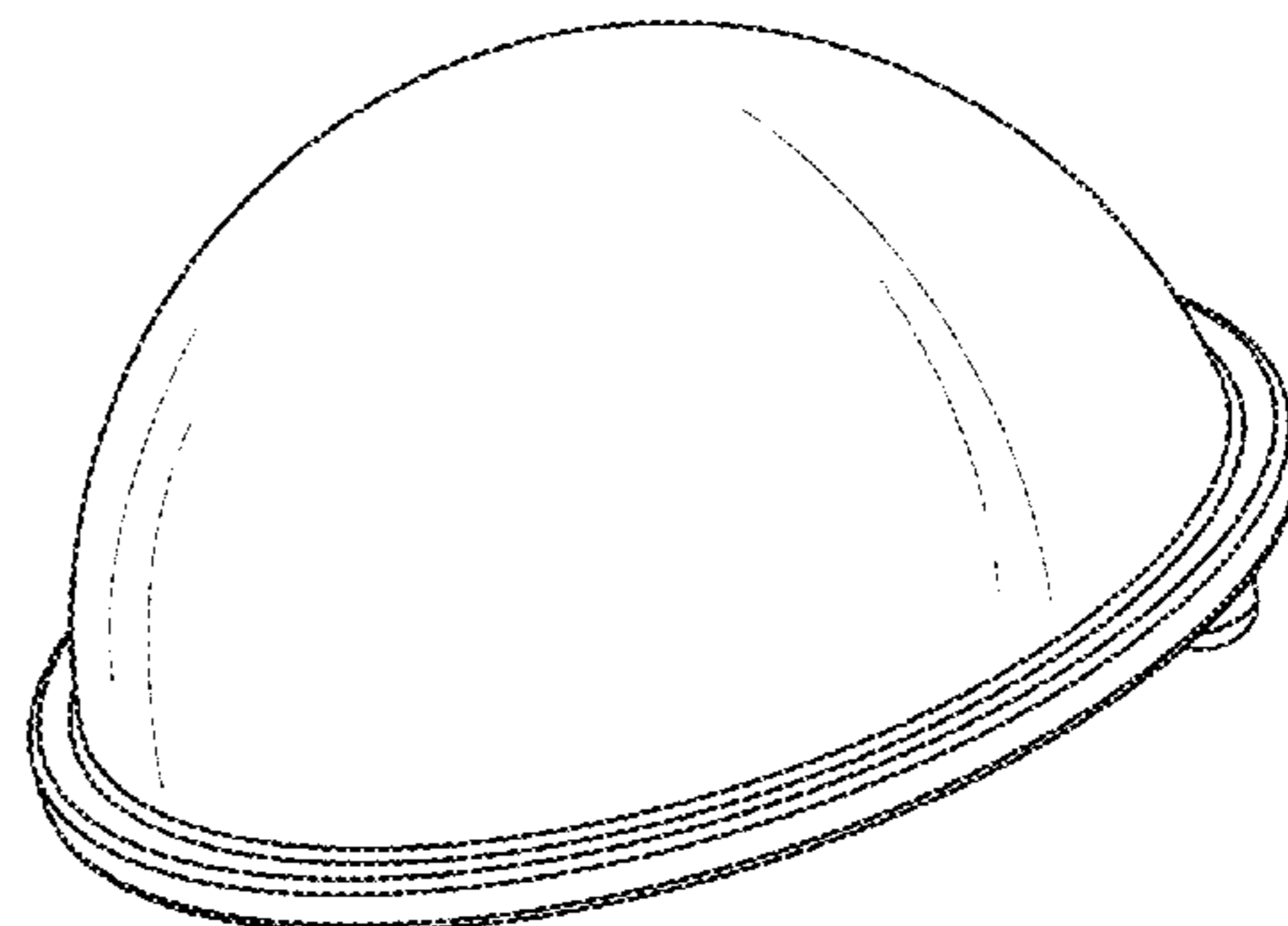
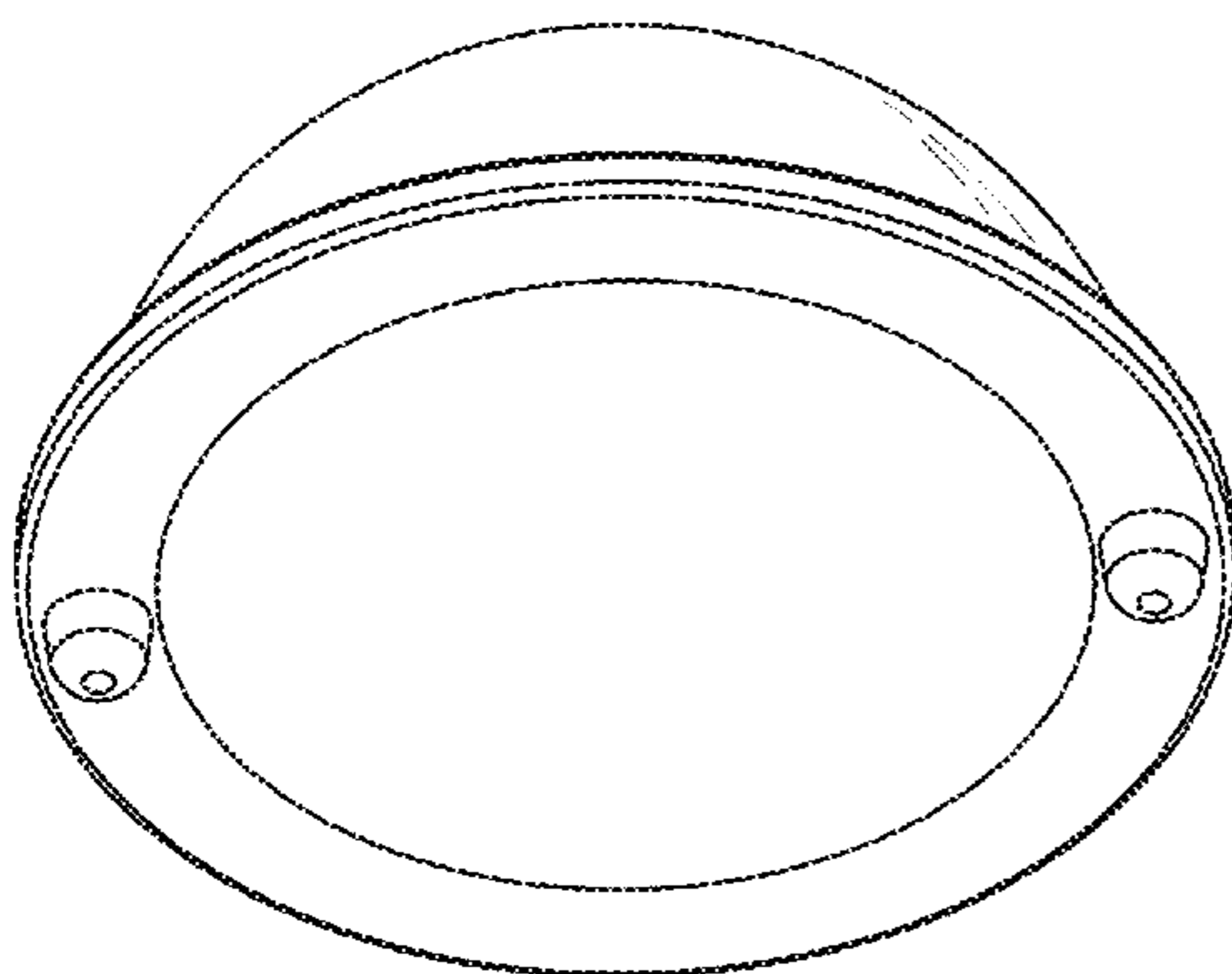
(57) **CLAIM**

The ornamental design for a lens for the light emitting diode, as shown and described herein.

DESCRIPTION

FIG. 1 is a perspective view of a lens for the light emitting diode showing the claimed design;
FIG. 2 is an another perspective view thereof;
FIG. 3 is a front elevational view thereof; the rear elevational view being a mirror image of FIG. 3;
FIG. 4 is a left side elevational view thereof; the right side elevational view being a mirror image of FIG. 4;
FIG. 5 is a top plan view thereof; and,
FIG. 6 is a bottom plan view thereof.

1 Claim, 3 Drawing Sheets



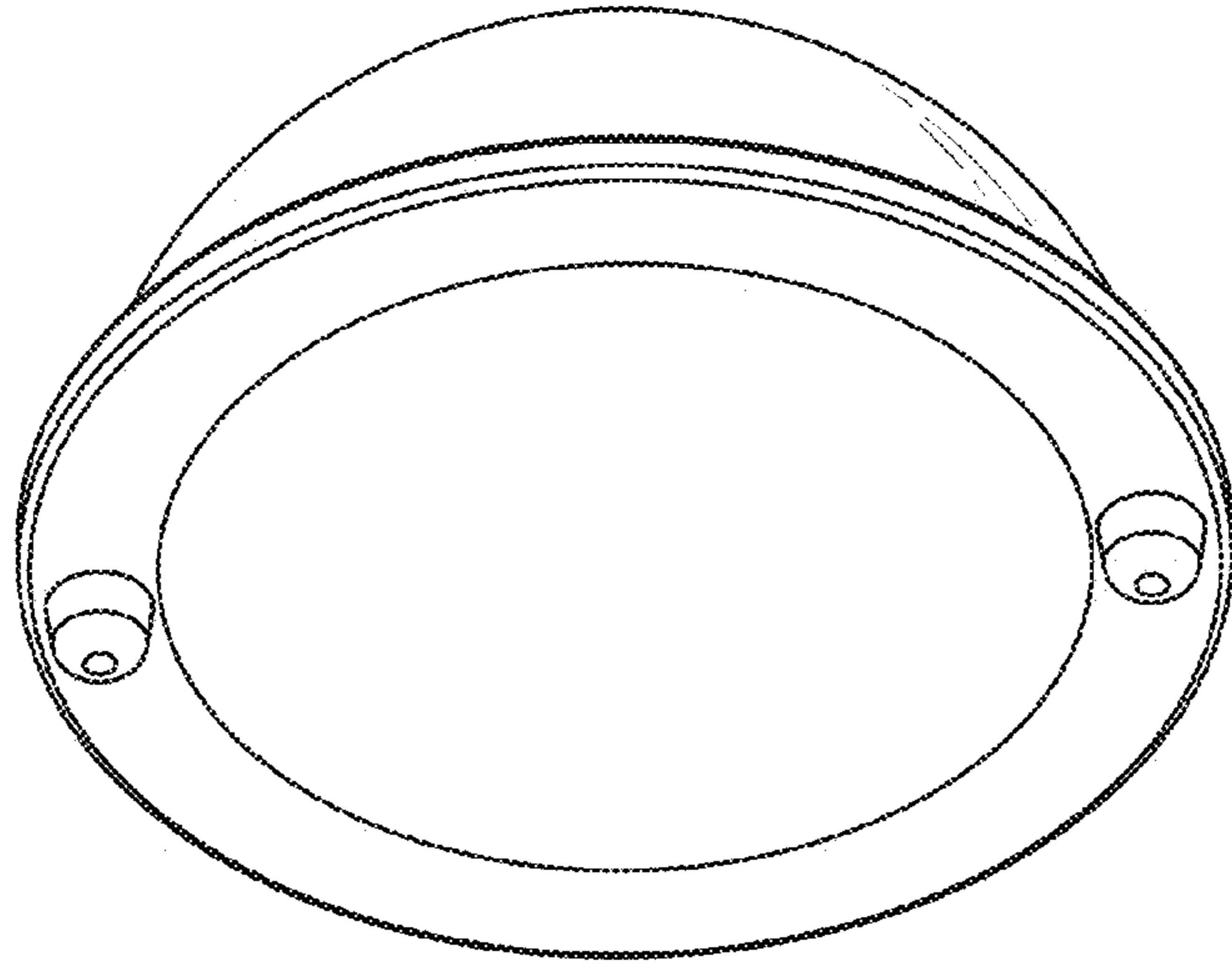


FIG. 1

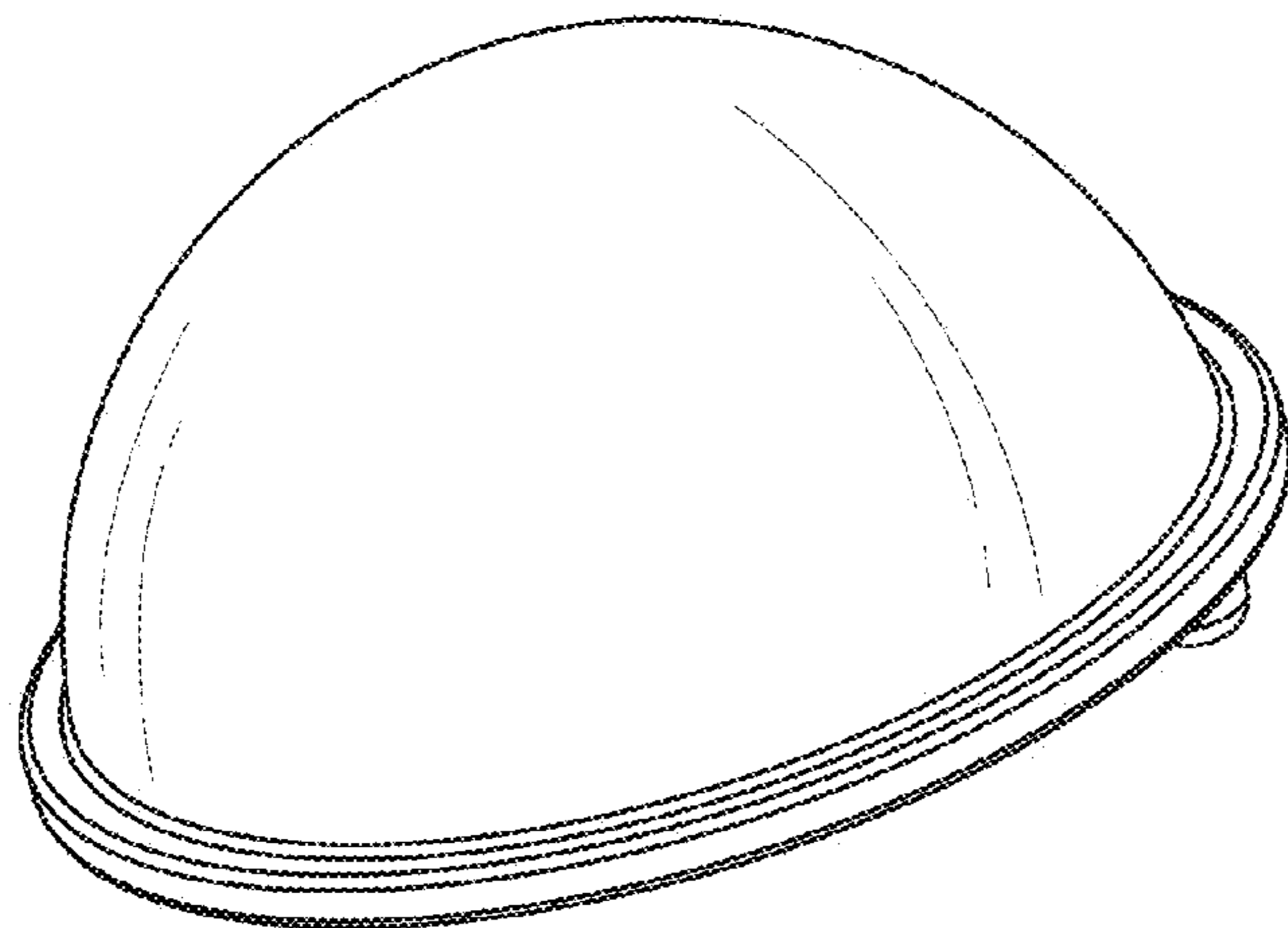


FIG. 2

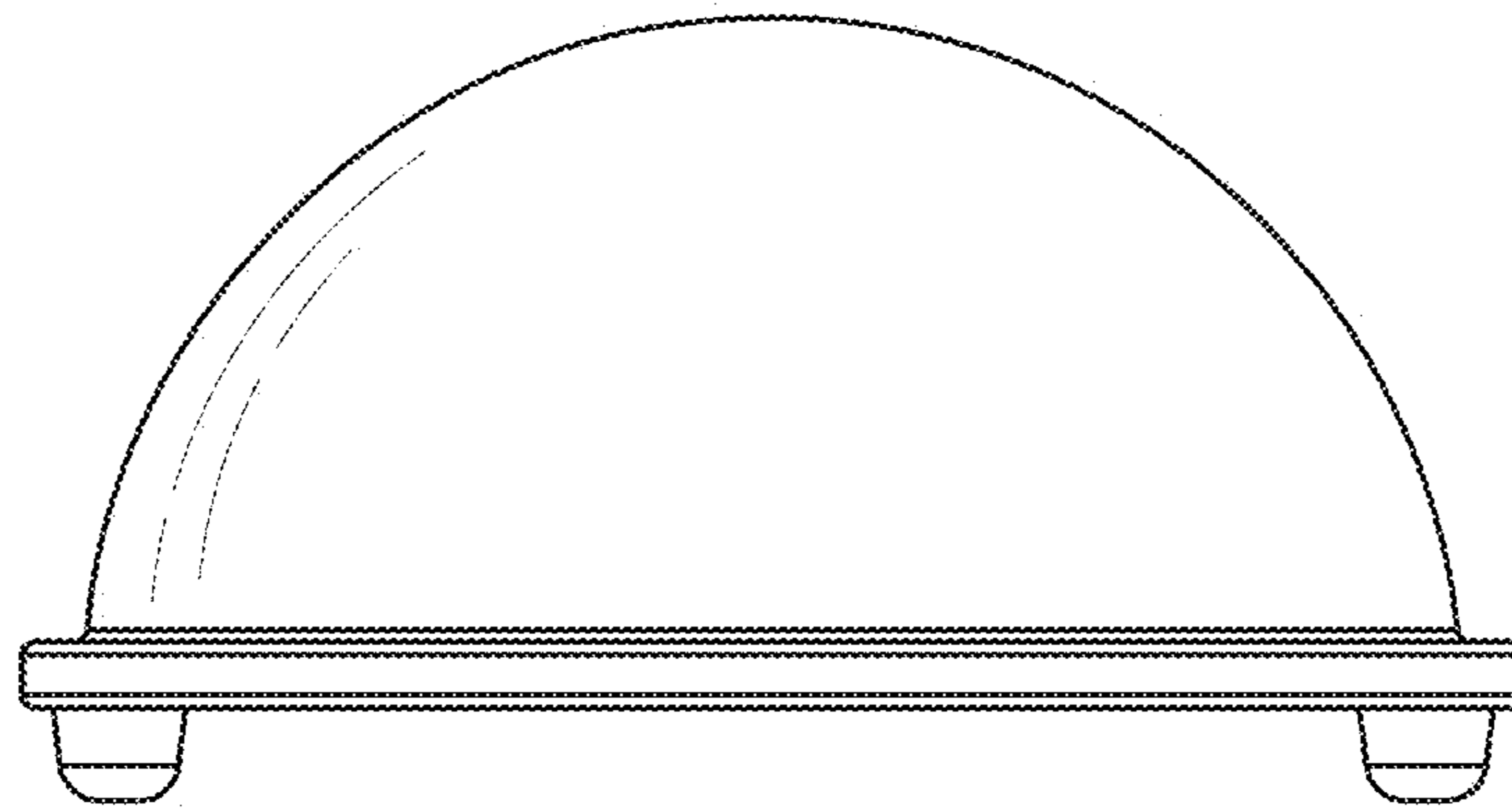


FIG.3

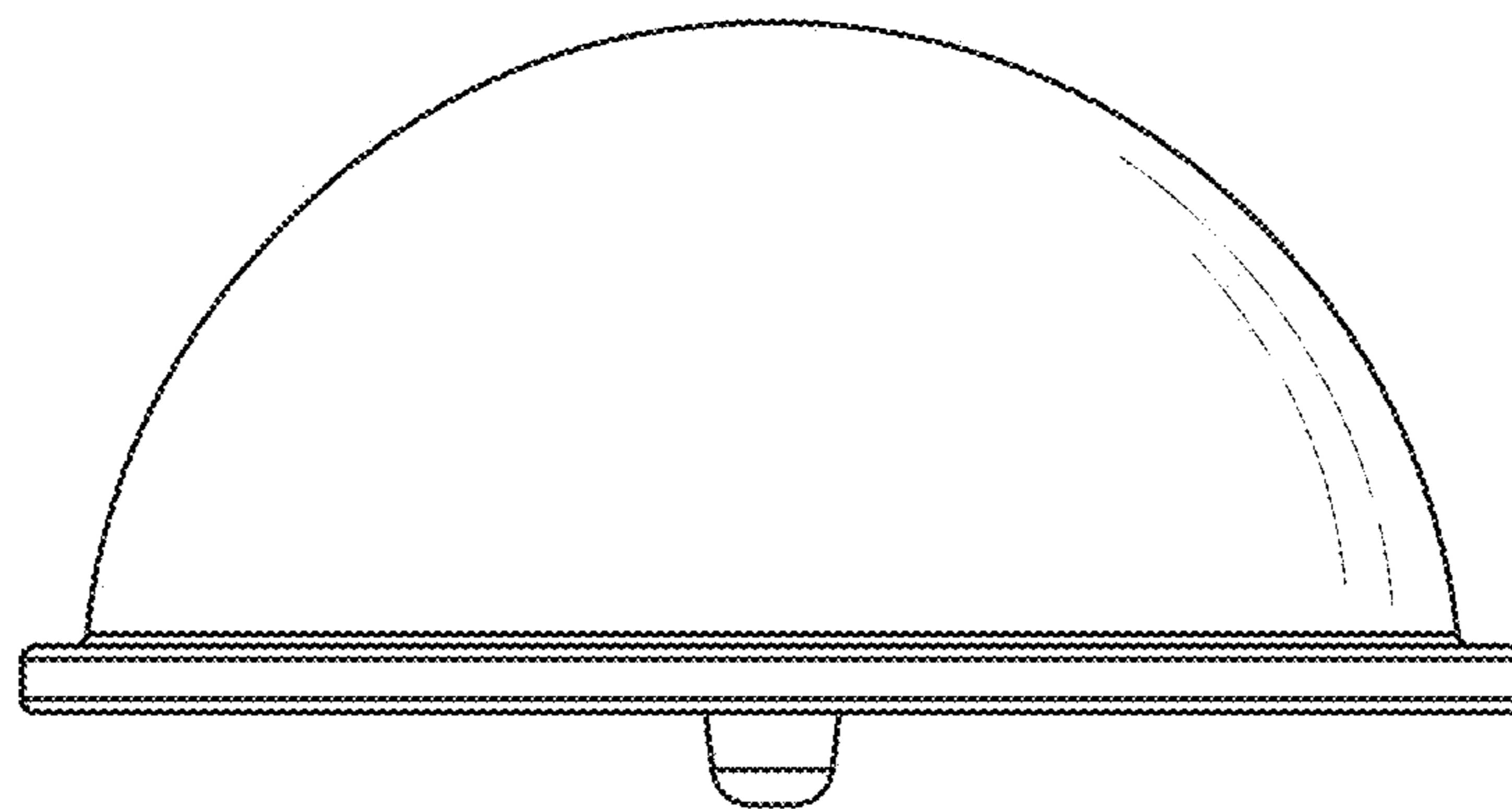


FIG.4



FIG. 5

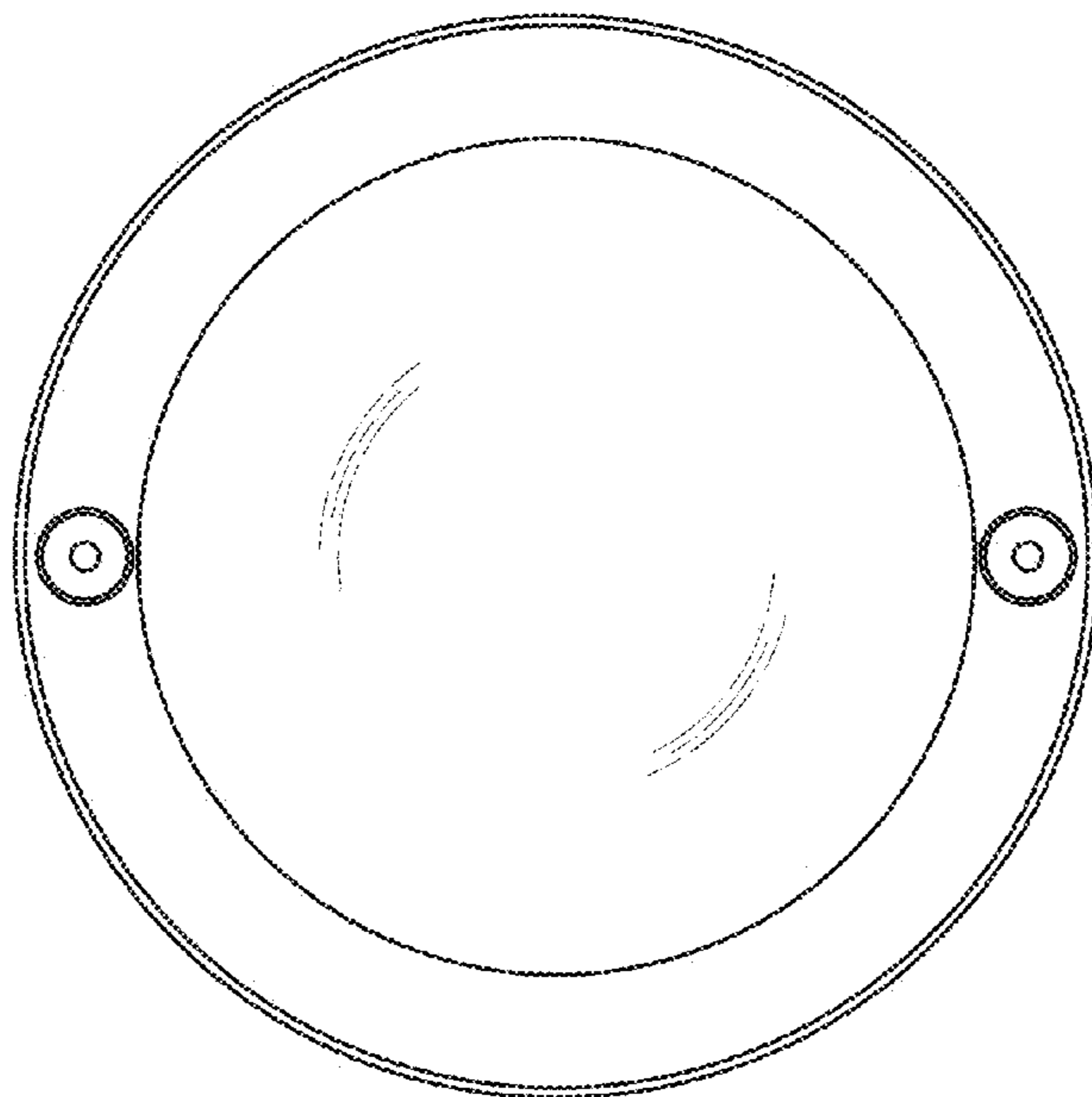


FIG. 6