



US00D678597S

(12) **United States Design Patent**  
**Lehman et al.**

(10) **Patent No.:** **US D678,597 S**  
(45) **Date of Patent:** **\*\* Mar. 19, 2013**

- (54) **TROFFER WITH LENS**
- (75) Inventors: **Gregg Lehman**, Peachtree City, GA (US); **Christopher Ladewig**, Fayetteville, GA (US); **James Blessitt**, Peachtree City, GA (US); **Gilbert Sabusay**, Peachtree City, GA (US); **Michael Troy Winslett**, Fairburn, GA (US)
- (73) Assignee: **Cooper Technologies Company**, Houston, TX (US)
- (\*\*) Term: **14 Years**
- (21) Appl. No.: **29/378,694**
- (22) Filed: **Nov. 8, 2010**
- (51) **LOC (9) Cl.** ..... **26-99**
- (52) **U.S. Cl.** ..... **D26/120**
- (58) **Field of Classification Search** ..... D26/88, D26/91, 85, 86, 72, 74, 76, 118, 90, 134, D26/73, 75, 119, 120, 121, 122, 113, 71, D26/84, 128, 129, 2, 125, 78, 77, 138, 26, D26/89, 124, 130, 9, 10, 11, 24, 25, 63, 64, D26/65, 69, 127; 362/311.13, 249.01-249.12, 362/373, 362, 326, 247, 342, 220, 147, 148, 362/282, 339, 620, 223, 376, 219; D23/412, D23/385, 388; 349/64, 62, 63, 65; D16/101; D13/179, 180

See application file for complete search history.

(56) **References Cited**

**U.S. PATENT DOCUMENTS**

D122,861	S	*	10/1940	Carter, Jr.	.....	D26/77
D133,216	S	*	7/1942	Parlato	.....	D26/78
3,270,194	A	*	8/1966	Lee	.....	362/218
4,277,820	A	*	7/1981	Bostonian	.....	362/223
4,799,134	A	*	1/1989	Pinch et al.	.....	362/320
5,357,413	A	*	10/1994	Mandall	.....	362/300
5,521,801	A	*	5/1996	Pesau et al.	.....	362/147
5,570,947	A	*	11/1996	Felland	.....	362/148
5,685,633	A	*	11/1997	Engel	.....	362/223

D397,819	S	*	9/1998	Thorton, Jr.	.....	D26/77
D399,586	S	*	10/1998	Ranieri et al.	.....	D26/74
D413,402	S	*	8/1999	Ranieri et al.	.....	D26/74
5,988,829	A	*	11/1999	Holder	.....	362/223
6,523,974	B2	*	2/2003	Engel	.....	362/224
D477,891	S	*	7/2003	Fritze et al.	.....	D26/74
6,655,819	B2	*	12/2003	Loga et al.	.....	362/263
6,746,325	B2	*	6/2004	Crane	.....	454/342
D496,121	S	*	9/2004	Santoro	.....	D26/74
6,837,592	B1	*	1/2005	Dahlen	.....	362/224
D545,481	S	*	6/2007	Mayfield et al.	.....	D26/118
D553,781	S	*	10/2007	Pickard et al.	.....	D26/74
D561,930	S	*	2/2008	Hukle et al.	.....	D26/120
D566,877	S	*	4/2008	Chandler	.....	D26/85
D595,006	S		6/2009	Santoro		
7,635,198	B2	*	12/2009	Mayfield et al.	.....	362/220
D608,490	S	*	1/2010	Chung et al.	.....	D26/118
D617,487	S	*	6/2010	Fowler et al.	.....	D26/76
D633,247	S	*	2/2011	Kong et al.	.....	D26/88
7,942,545	B2	*	5/2011	Kassay et al.	.....	362/221
D643,572	S	*	8/2011	Lown et al.	.....	D26/120
D653,376	S	*	1/2012	Kong et al.	.....	D26/76
8,100,551	B2	*	1/2012	Mayfield et al.	.....	362/223
D661,833	S	*	6/2012	Imajo et al.	.....	D26/118
D664,701	S	*	7/2012	Ferguson et al.	.....	D26/78
8,220,957	B2	*	7/2012	Lydecker et al.	.....	362/222

(Continued)

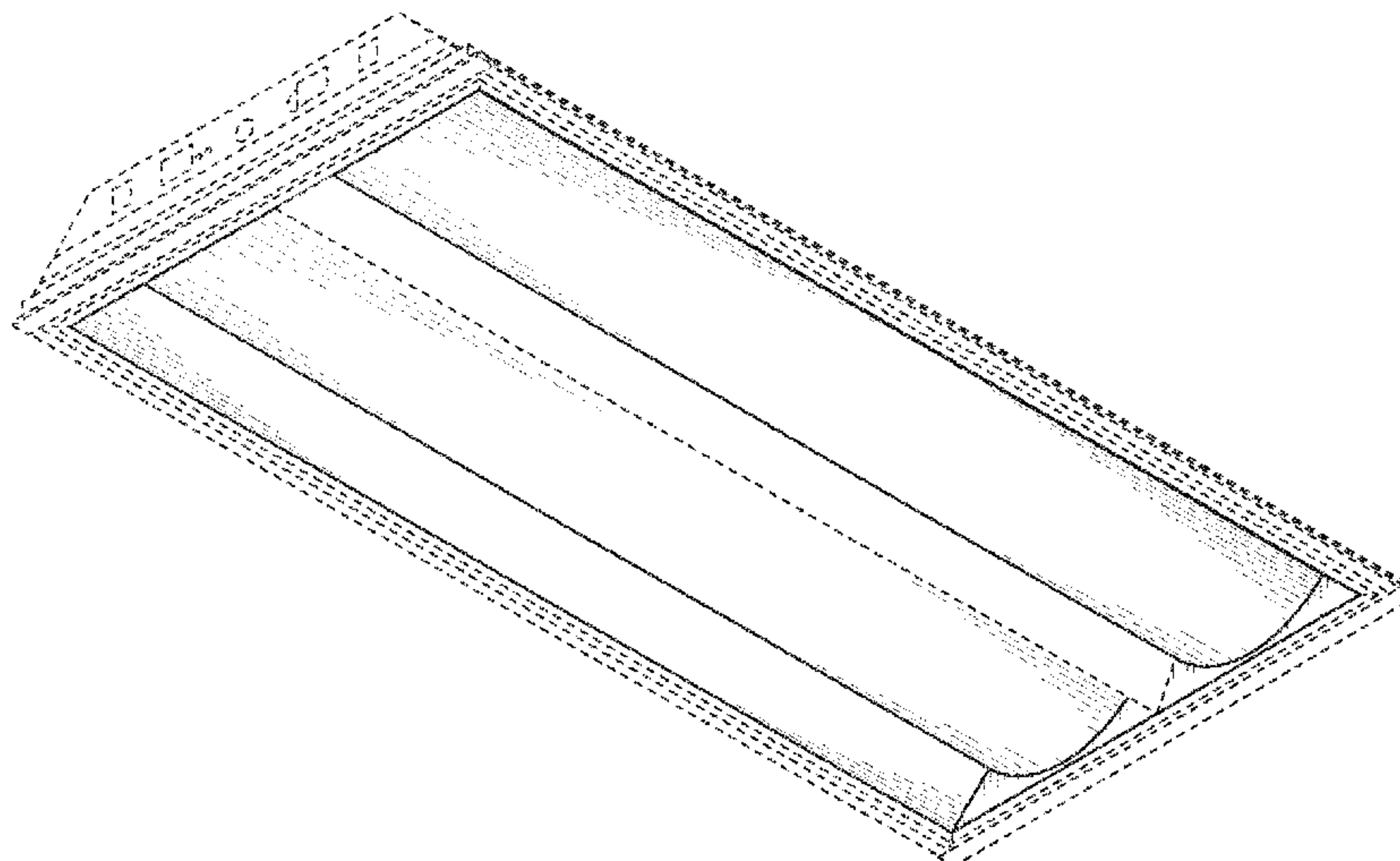
*Primary Examiner* — Kevin Rudzinski  
(74) *Attorney, Agent, or Firm* — King & Spalding LLP

(57) **CLAIM**  
The ornamental design for a troffer with lens, as shown and described.

**DESCRIPTION**

FIG. 1 is a perspective view of a new ornamental design for a troffer with lens;  
FIG. 2 is a bottom plan view of the troffer with lens of FIG. 1; and,  
FIG. 3 is a side cross sectional view of the troffer with lens of FIG. 1.  
The broken lines shown represent unclaimed subject matter and form no part of the claimed design.

**1 Claim, 1 Drawing Sheet**



# US D678,597 S

Page 2

---

## U.S. PATENT DOCUMENTS

D665,119	S *	8/2012	Bryant	.....	D26/122	2007/0211457	A1 *	9/2007	Mayfield et al.	.....	362/223
8,240,877	B2 *	8/2012	Kim et al.	.....	362/225	2008/0019126	A1 *	1/2008	Straton et al.	.....	362/218
8,246,196	B2 *	8/2012	Chung et al.	.....	362/223	2008/0278943	A1 *	11/2008	Van Der Poel	.....	362/240
2006/0023450	A1 *	2/2006	Chung et al.	.....	362/246	2010/0327768	A1 *	12/2010	Kong et al.	.....	315/294
2007/0139918	A1 *	6/2007	Laukhuf	.....	362/217						

\* cited by examiner

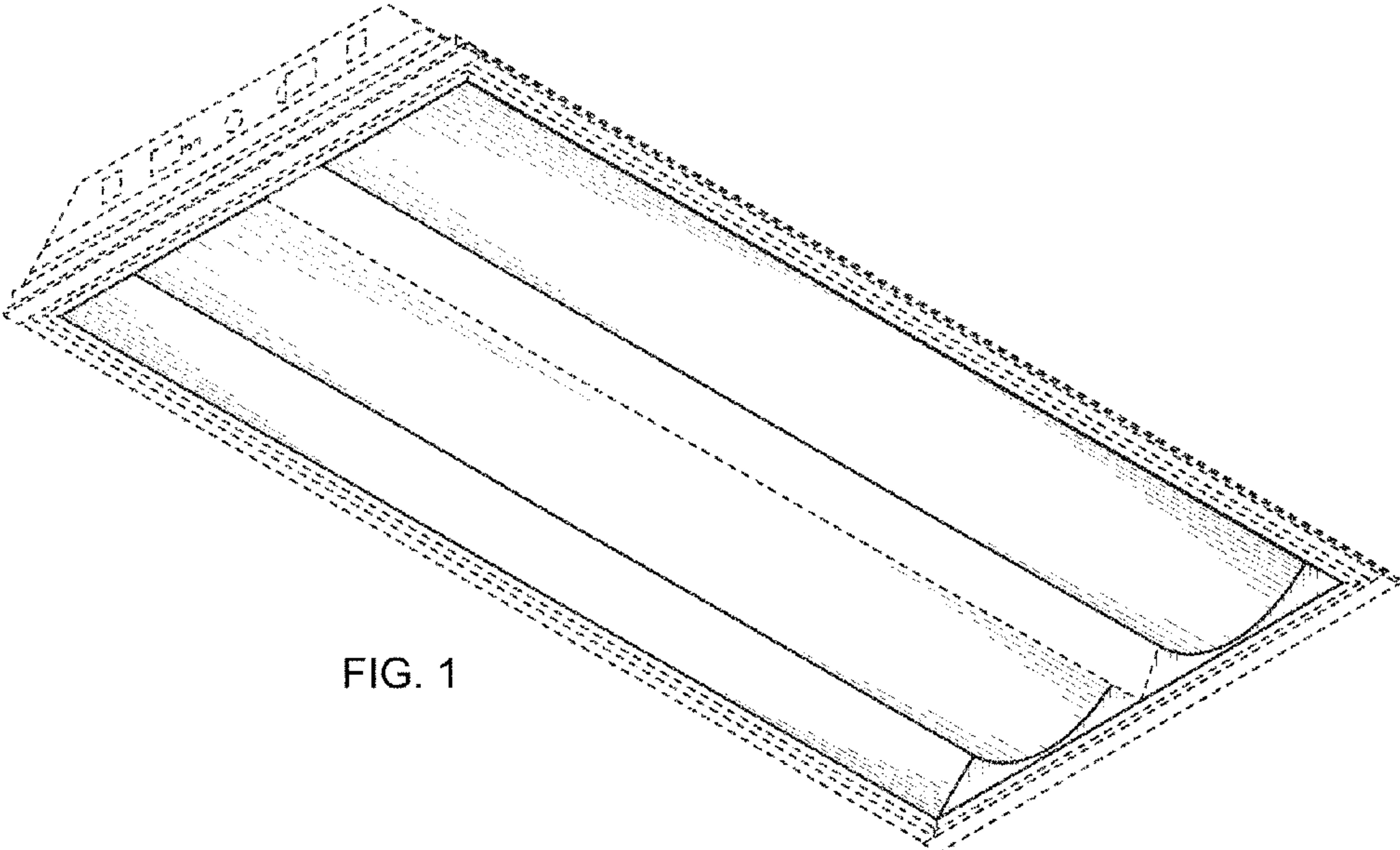


FIG. 1

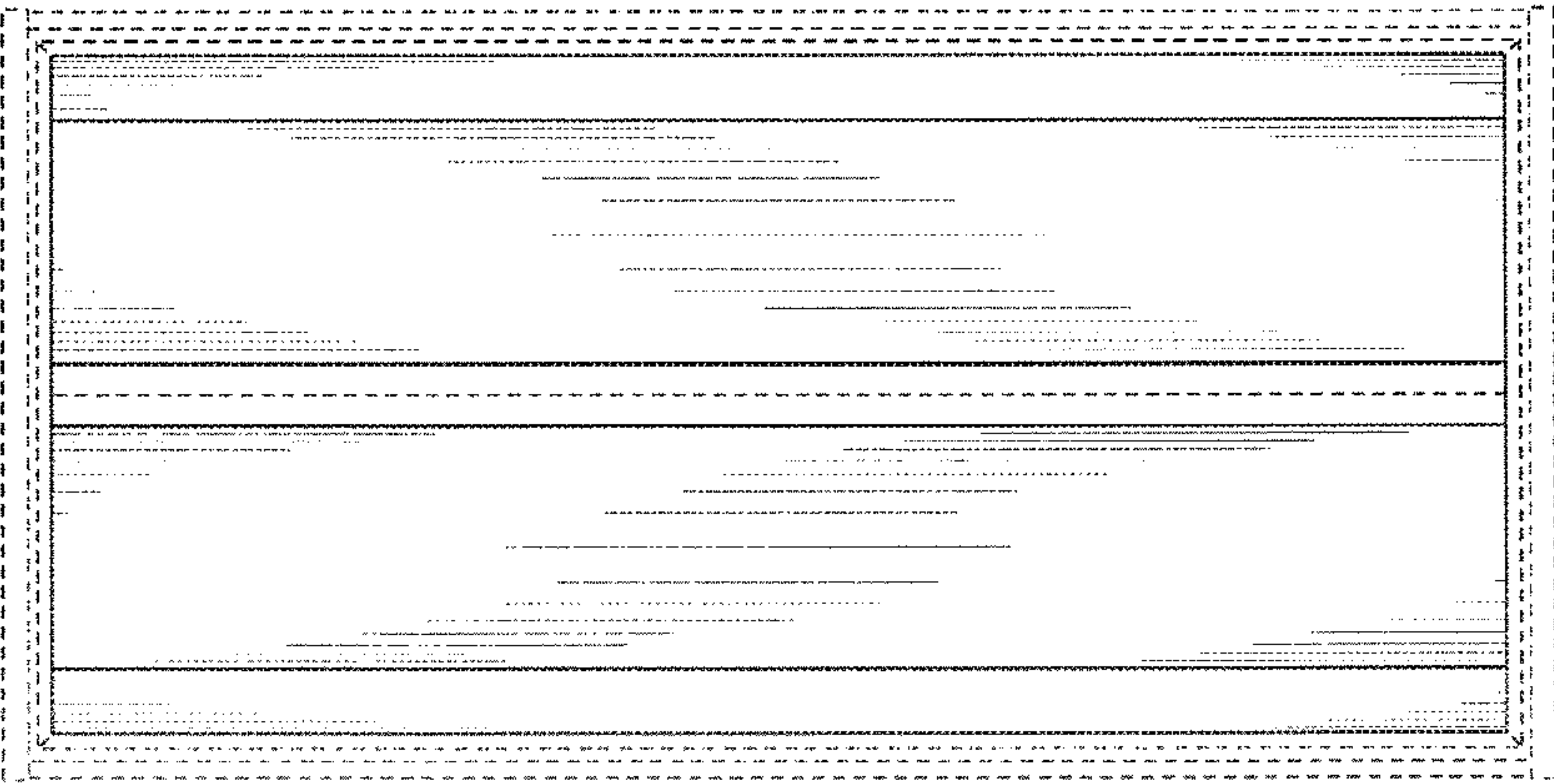


FIG. 2

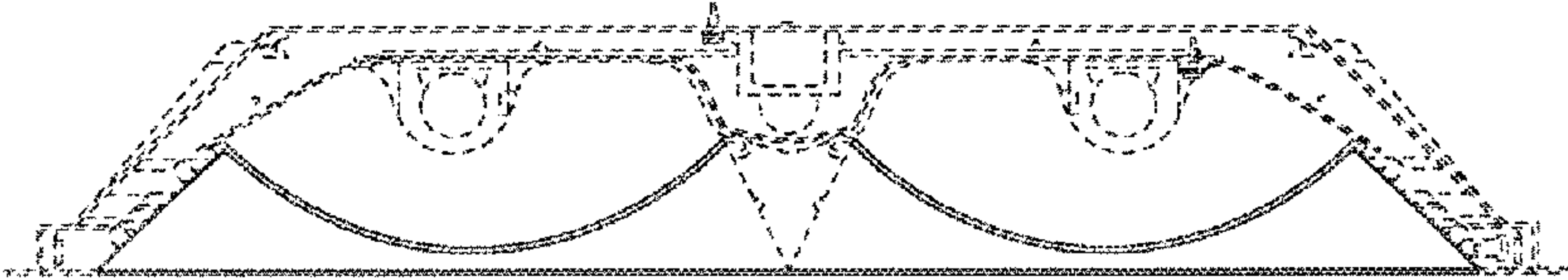


FIG. 3