



US00D678590S

(12) **United States Design Patent**
Sage et al.

(10) **Patent No.:** **US D678,590 S**

(45) **Date of Patent:** **** Mar. 19, 2013**

(54) **SCONCE**

(75) Inventors: **Mark Sage**, Atlanta, GA (US); **Ruud Nijssen**, Trzcinica (PL)

(73) Assignee: **Restoration Hardware, Inc.**, Corte Madera, CA (US)

(**) Term: **14 Years**

(21) Appl. No.: **29/399,874**

(22) Filed: **Aug. 19, 2011**

(51) **LOC (9) Cl.** **26-03**

(52) **U.S. Cl.** **D26/87**

(58) **Field of Classification Search** D26/85,
D26/86, 87, 89, 92, 128, 138, 141, 155; 362/147,
362/404-408, 431, 432
See application file for complete search history.

(56) **References Cited**

U.S. PATENT DOCUMENTS

D66,965 S *	4/1925	Boehringer	D26/155
D72,351 S *	4/1927	Crumley	D26/155
D72,353 S *	4/1927	Crumley	D26/155

D75,592 S *	6/1928	Seidell	D26/155
D78,923 S *	7/1929	Di Gaudio	D26/155
D79,070 S *	7/1929	Di Gaudio	D26/155
D82,136 S *	9/1930	Chapman	D26/87
D124,182 S *	12/1940	McCann	D26/87
D161,700 S *	1/1951	Marker	D26/76
D394,125 S *	5/1998	Barry	D26/87
D442,317 S *	5/2001	Crosby	D26/87
D465,597 S *	11/2002	Hsu	D26/87

* cited by examiner

Primary Examiner — Clare E Heflin

(74) *Attorney, Agent, or Firm* — Duane Morris LLP; Guy W. Chambers

(57) **CLAIM**

The ornamental design for a sconce, as shown and described.

DESCRIPTION

FIG. 1 is a left side elevational view of a sconce showing our new design (right side elevational view is a mirror image thereof);

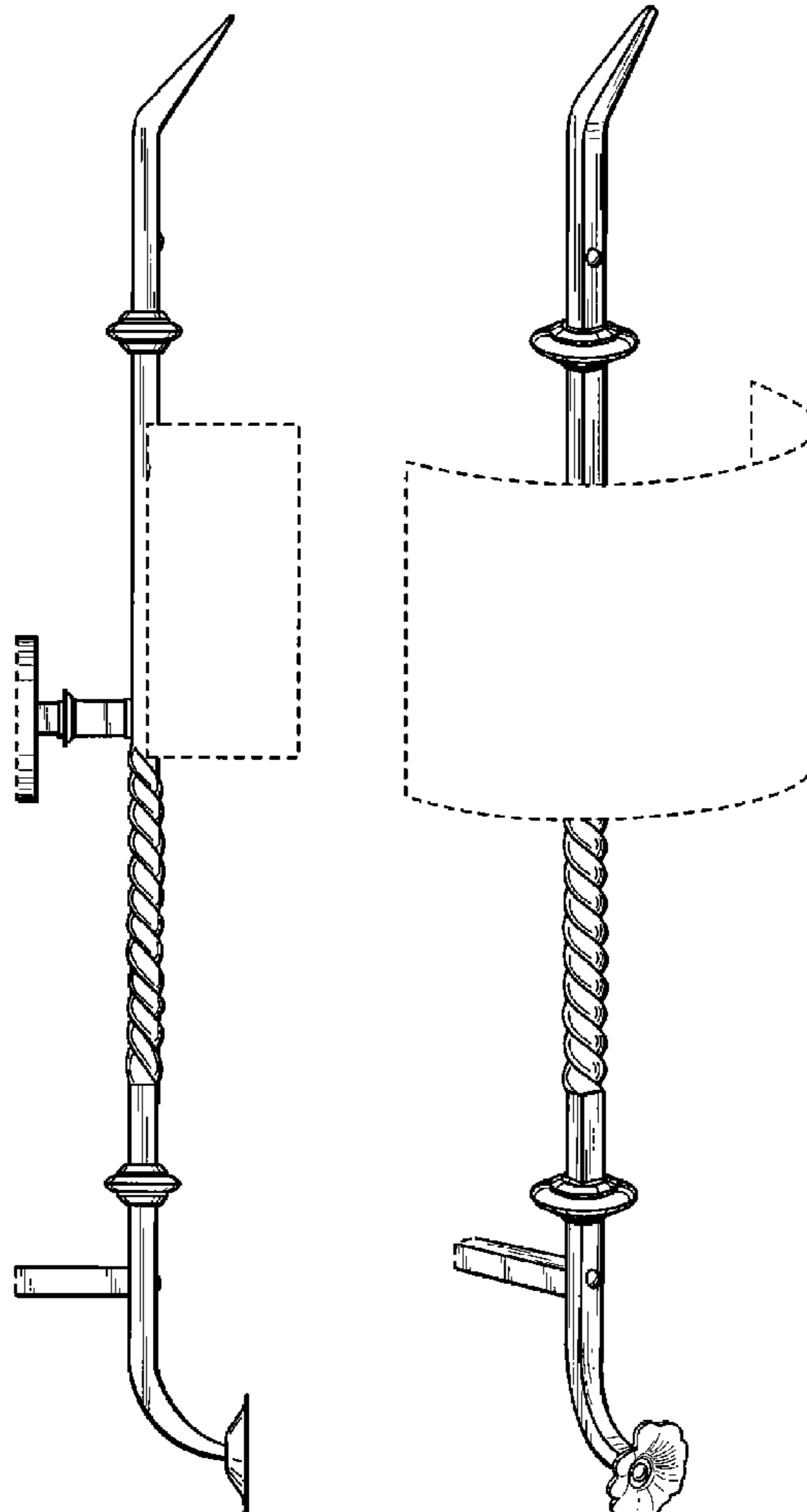
FIG. 2 is a front elevational view thereof;

FIG. 3 is a left, front perspective view thereof; and,

FIG. 4 is a left, rear perspective view thereof.

The broken lines are for environmental purposes only and form no part of the claimed design.

1 Claim, 3 Drawing Sheets



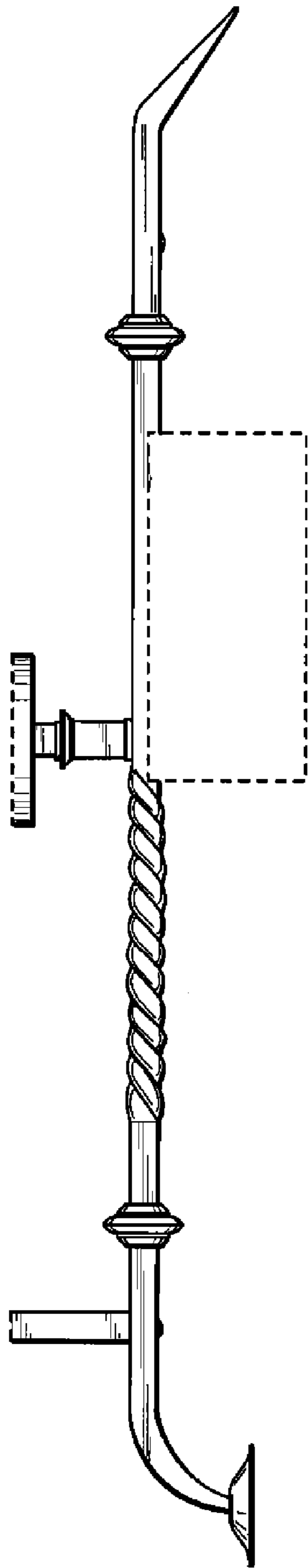


FIG. 1

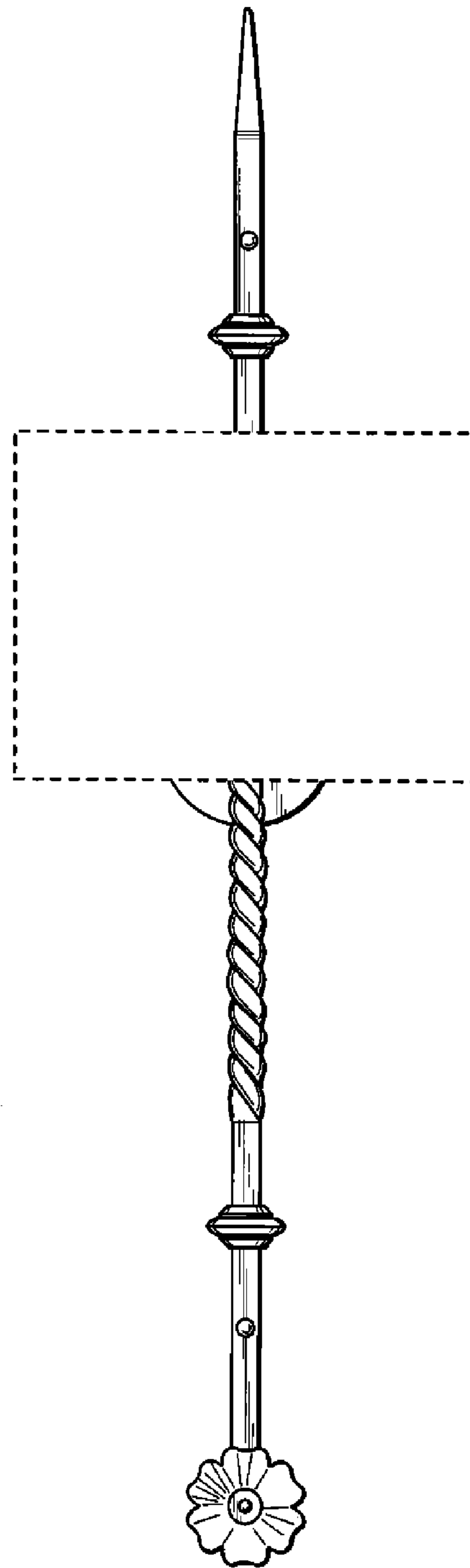


FIG. 2

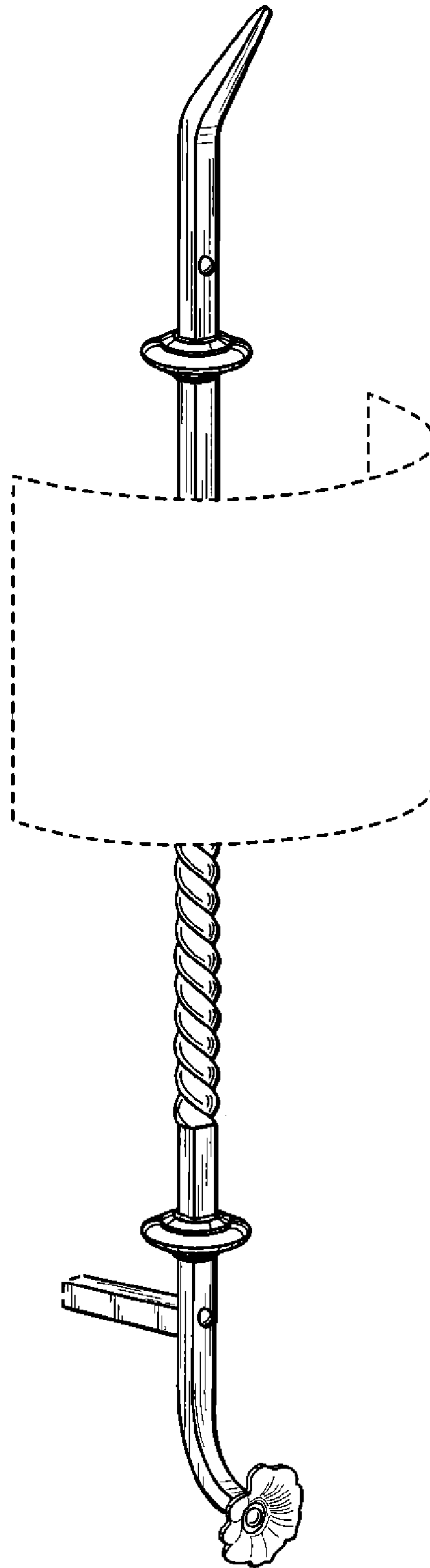


FIG. 3

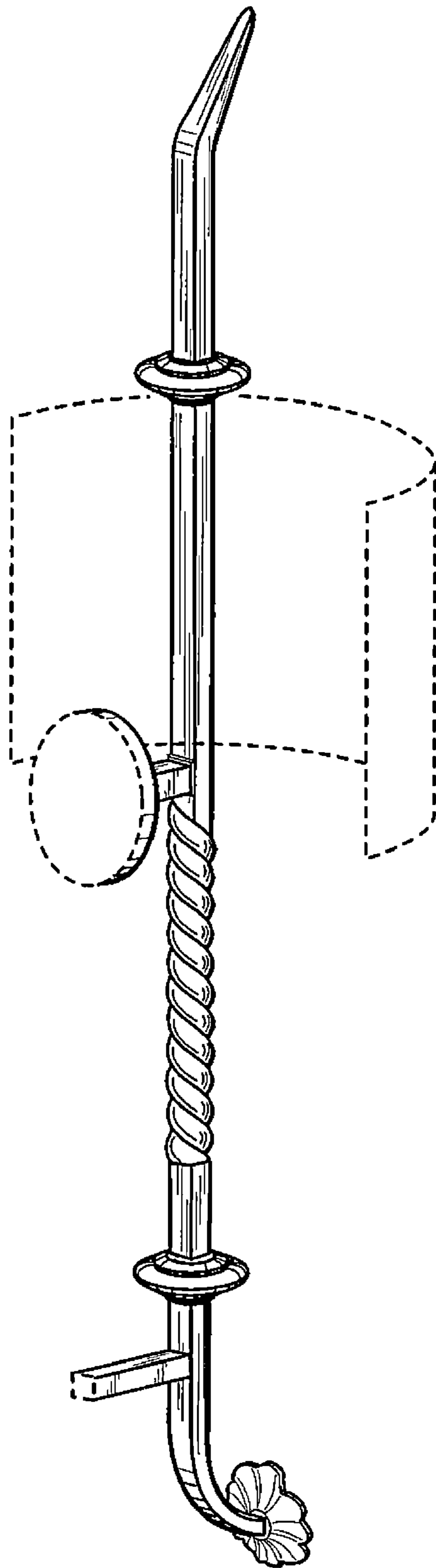


FIG. 4