



US00D678589S

(12) **United States Design Patent**
Crosby

(10) **Patent No.:** **US D678,589 S**
(45) **Date of Patent:** **** Mar. 19, 2013**

(54) **LIGHTING FIXTURE**

(75) Inventor: **Doyle Crosby**, San Rafael, CA (US)

(73) Assignee: **Boyd Lighting Fixture Company**, San Francisco, CA (US)

(**) Term: **14 Years**

(21) Appl. No.: **29/412,589**

(22) Filed: **Feb. 6, 2012**

(51) **LOC (9) Cl.** **26-03**

(52) **U.S. Cl.** **D26/85; D26/87**

(58) **Field of Classification Search** D26/67,
D26/80, 85, 86, 87, 118, 128, 129, 130, 143;
362/147, 362, 431, 432, 367

See application file for complete search history.

(56) **References Cited**

U.S. PATENT DOCUMENTS

D21,973 S	11/1892	Warren, Jr.	
D25,976 S	8/1896	Shaw	
D60,460 S	2/1922	Kranz	
D70,460 S *	6/1926	Wellman	D26/85
D82,425 S	8/1929	Harris	
D101,041 S	9/1936	Janssen	
D202,808 S	11/1965	Dailey	
D206,083 S	10/1966	Rosen	
D208,663 S	9/1967	Daum	
D244,310 S *	5/1977	Dunning	D26/85
D271,528 S *	11/1983	Muller	D26/85
D316,912 S *	5/1991	Choi	D26/87
D333,189 S	2/1993	Hall et al.	
D367,724 S *	3/1996	Porter	D26/87
D383,865 S *	9/1997	Heiberg et al.	D26/67
D388,906 S *	1/1998	Chiang	D26/85
D411,775 S	7/1999	Fagone	
D427,352 S	6/2000	Miranda	
D427,355 S	6/2000	Miranda	
D429,016 S	8/2000	Cohen	
D438,661 S	3/2001	Hidalgo	
D441,125 S	4/2001	Crosby	
D441,487 S	5/2001	Crosby	
D442,317 S	5/2001	Crosby	
D454,652 S *	3/2002	Crelin	D26/85
D463,606 S	9/2002	Orozco	
D465,875 S	11/2002	De'Armond	

D483,138 S	12/2003	Chen	
D485,387 S	1/2004	Harbaugh	
D497,032 S	10/2004	Cuevas et al.	
D510,453 S *	10/2005	De'Armond	D26/128
D513,337 S *	12/2005	Burke	D26/85
D513,338 S	12/2005	Burke	
D514,243 S	1/2006	Curtin	
D518,224 S *	3/2006	De'Armond	D26/92
D532,146 S	11/2006	Crosby	
D532,147 S	11/2006	Crosby	
D549,381 S *	8/2007	Curtin	D26/67
D553,285 S	10/2007	Curtin	
D570,028 S *	5/2008	Curtin	D26/85

OTHER PUBLICATIONS

San Gabriel light fixture shown on p. 390 of the ELK Lighting Inc Catalog 2900, © 2009. (2 pages—includes catalog rear cover).*

Granada collection of light fixtures shown on p. 446 of the Quoizel 2007 catalog. (2 pages—includes front cover of catalog).*

Roger P. Thomas pending U.S. Appl. No. 29/420,682, entitled "Lighting Fixture", filed May 11, 2012.

* cited by examiner

Primary Examiner — Clare E Heflin

(74) *Attorney, Agent, or Firm* — Heslin Rothenberg Farley & Mesiti P.C.

(57) **CLAIM**

The ornamental design for a lighting fixture, as shown and described.

DESCRIPTION

FIG. 1 is a perspective view of a lighting fixture in accordance with the new design;

FIG. 2 is a front elevational view thereof;

FIG. 3 is a left side elevational view thereof;

FIG. 4 is a right side elevational view thereof;

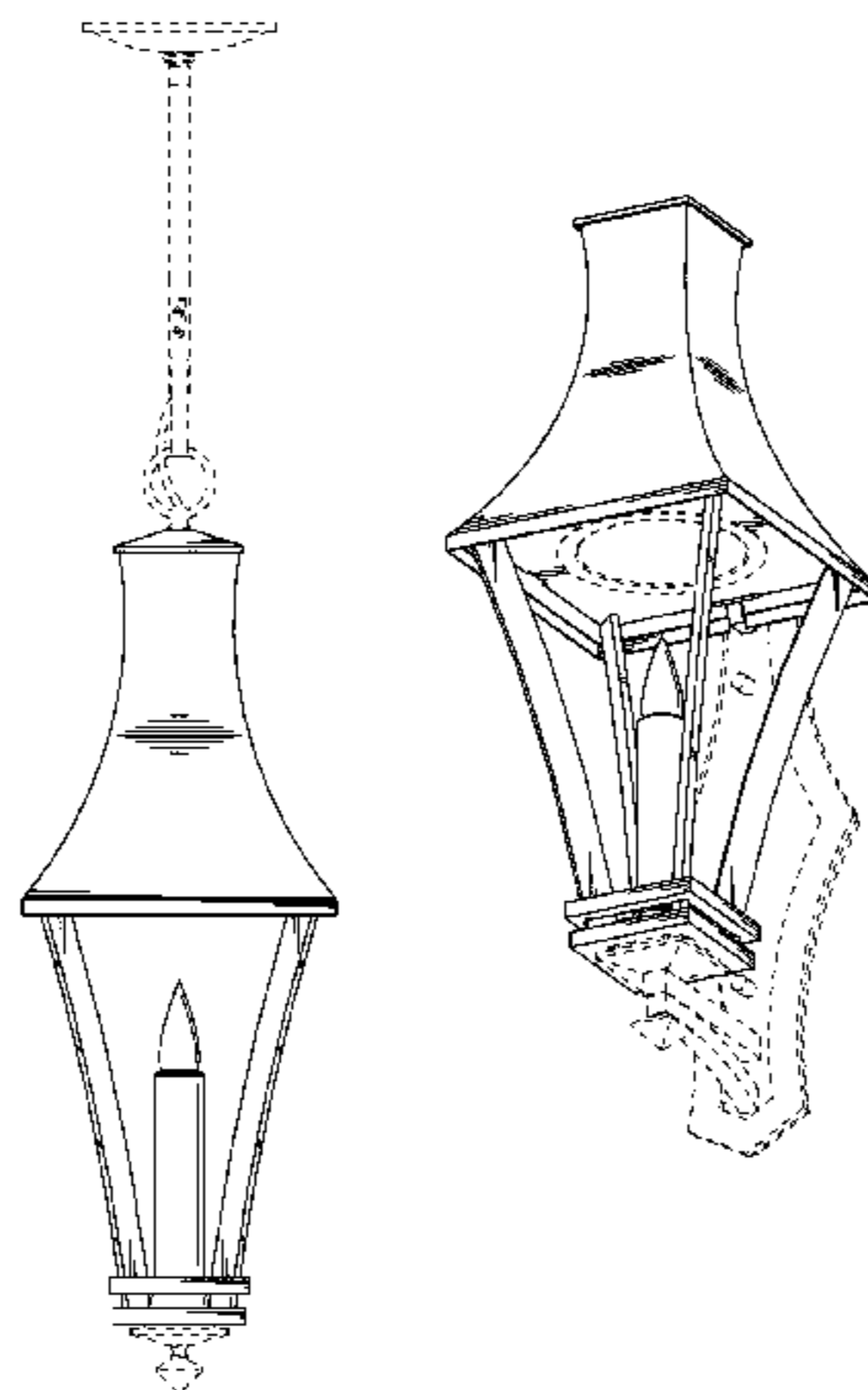
FIG. 5 is a rear elevational view thereof;

FIG. 6 is a bottom view thereof; and,

FIG. 7 is a perspective view of the lighting fixture shown in FIGS. 1-6 configured as a wall sconce.

The broken lines in the figures are for illustrative purposes only and form no part of the claimed design.

1 Claim, 7 Drawing Sheets



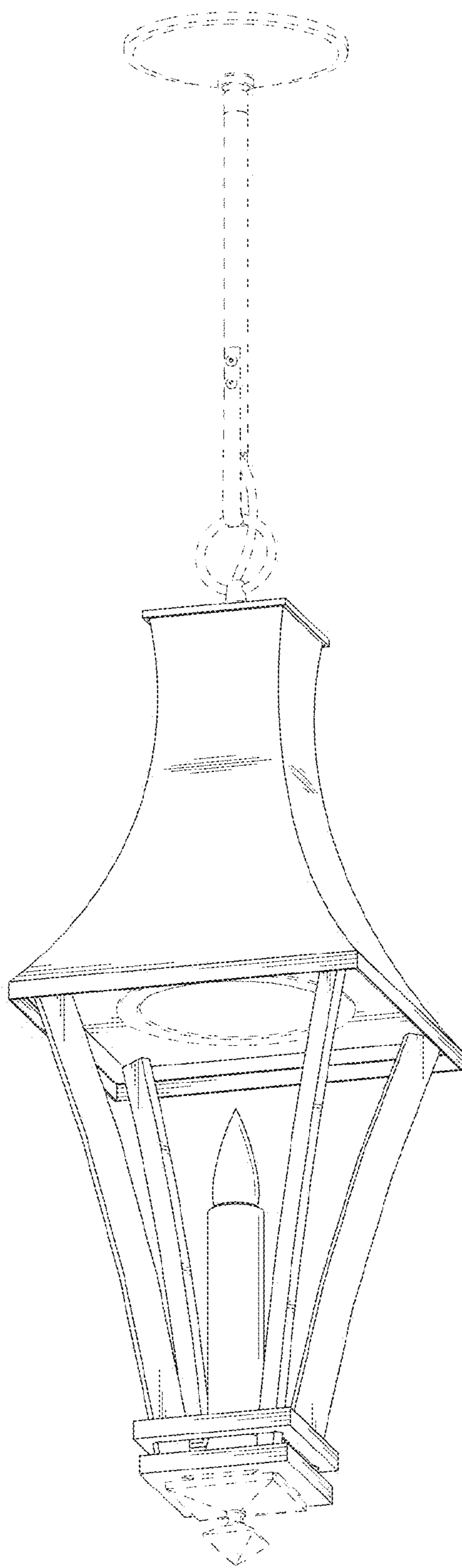


FIG. 1

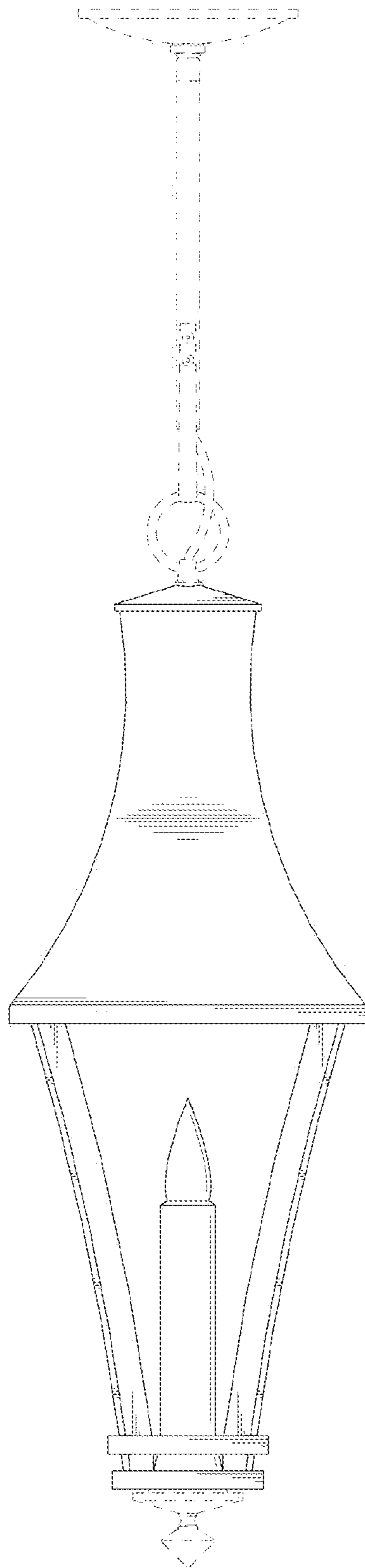


FIG. 2

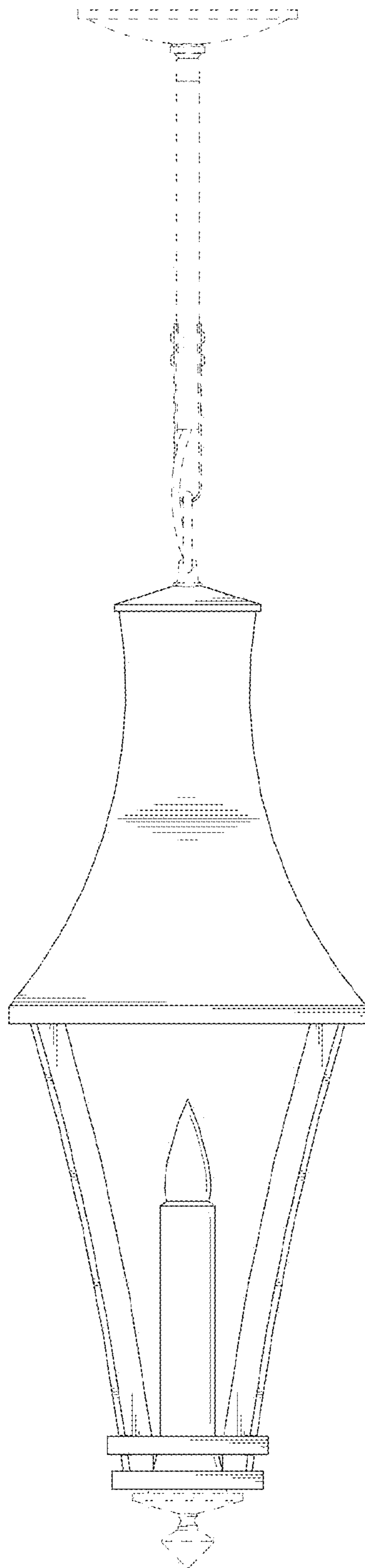


FIG. 3

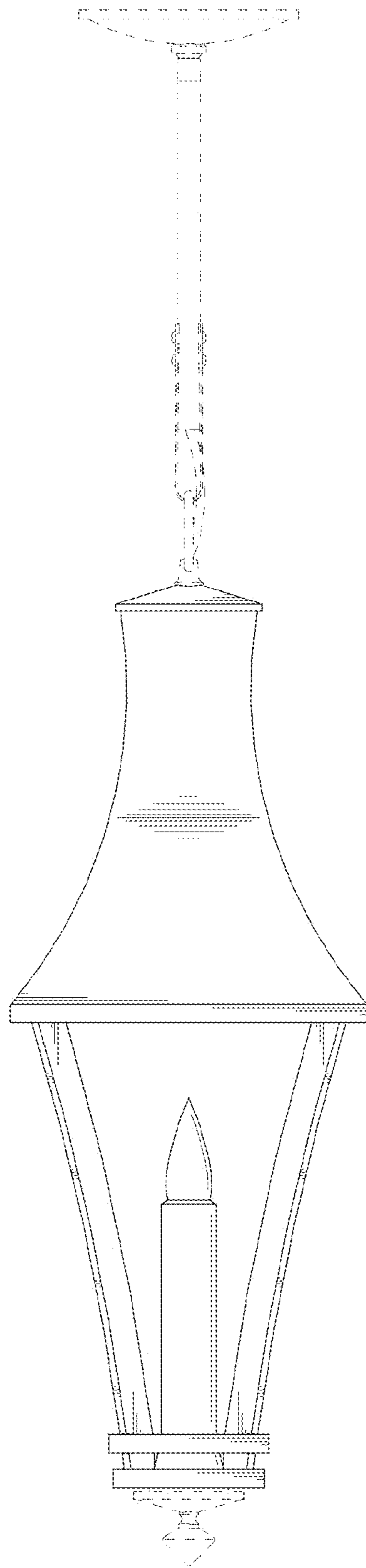


FIG. 4

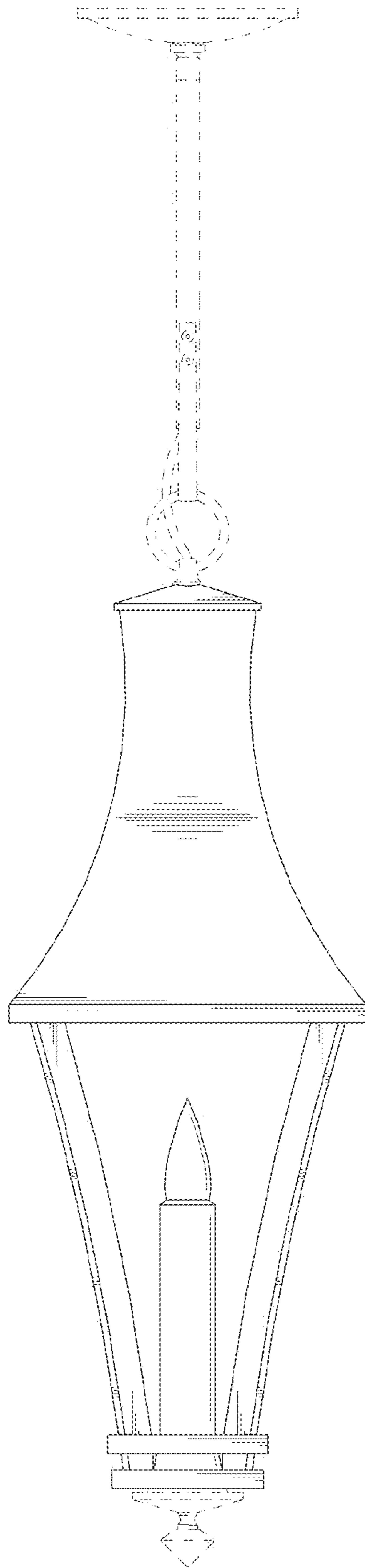


FIG. 5

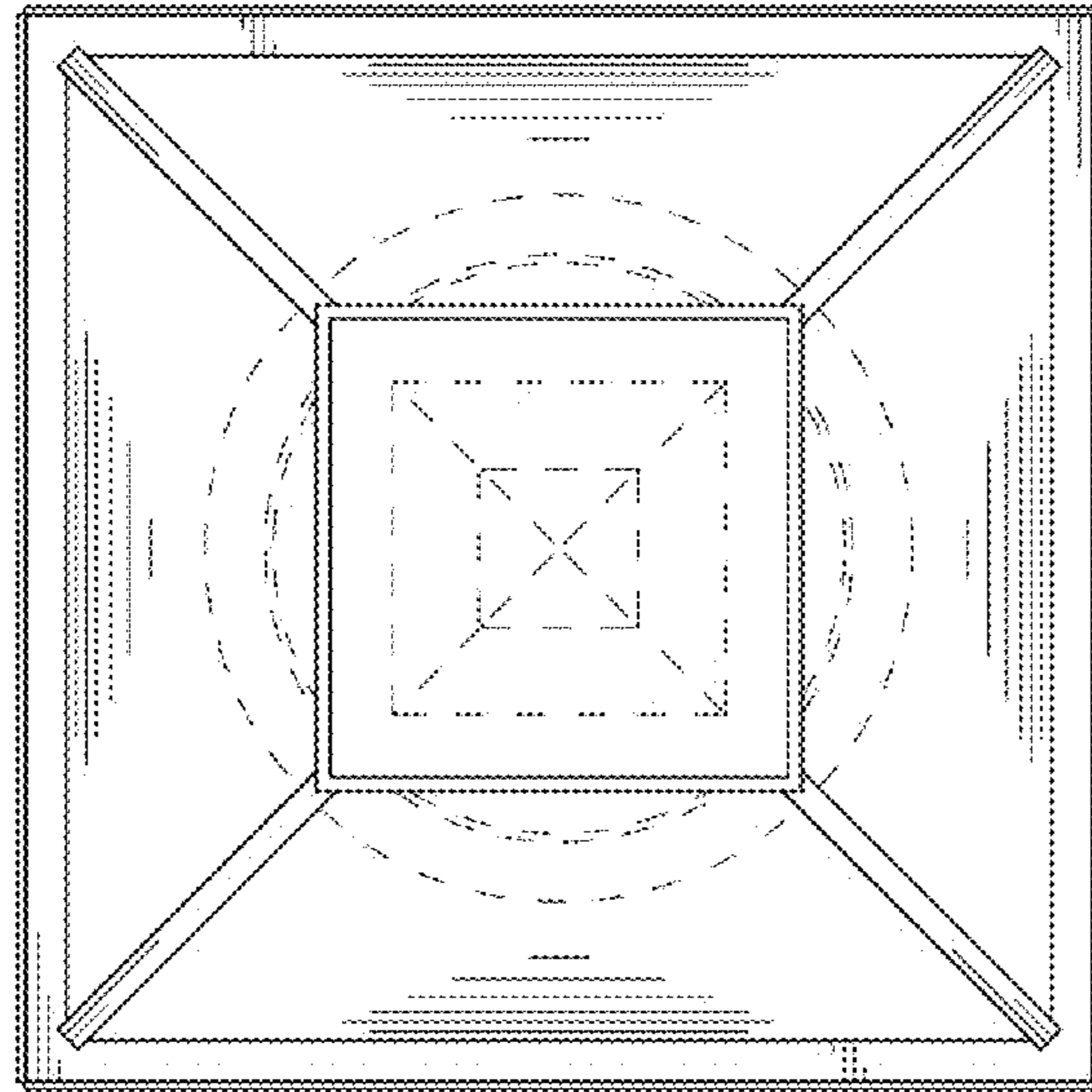


FIG. 6

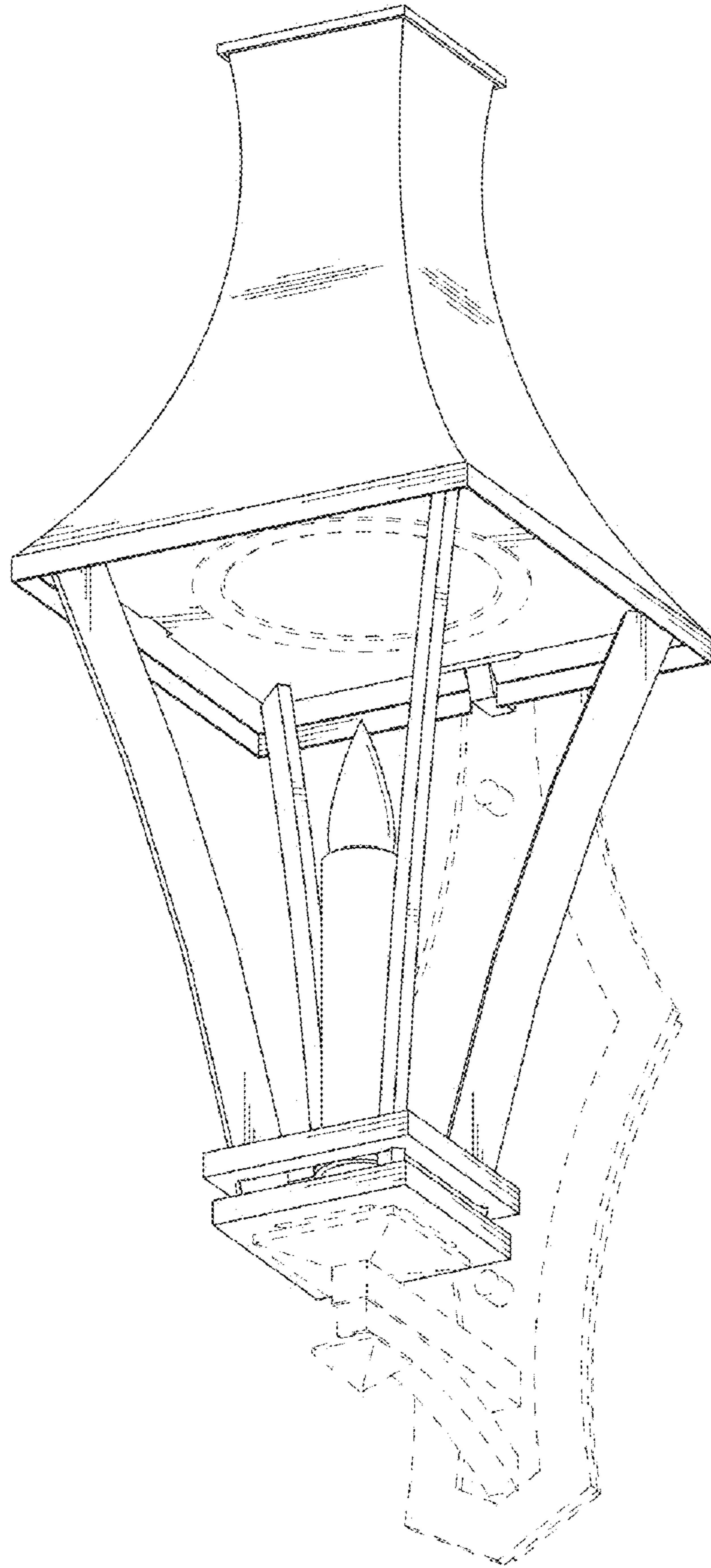


FIG. 7