



US00D678587S

(12) **United States Design Patent**
Fang

(10) **Patent No.:** **US D678,587 S**

(45) **Date of Patent:** **** Mar. 19, 2013**

(54) **LIGHTING APPARATUS**

(75) Inventor: **Yi Fang, Yuyao (CN)**

(73) Assignee: **Ningbo UTEC Electric Co. Ltd. (CN)**

(**) Term: **14 Years**

(21) Appl. No.: **29/418,457**

(22) Filed: **Apr. 17, 2012**

(30) **Foreign Application Priority Data**

Oct. 26, 2011 (CN) 2011 3 0384547

(51) **LOC (9) Cl.** **26-03**

(52) **U.S. Cl.** **D26/80**

(58) **Field of Classification Search** D26/70,
D26/71, 72, 80, 85, 87, 92, 118; 362/147,
362/431, 432, 183, 33, 294

See application file for complete search history.

(56) **References Cited**

U.S. PATENT DOCUMENTS

D188,912 S *	9/1960	Lasker	D26/85
D315,416 S *	3/1991	Ziaylek et al.	D26/28
D393,093 S *	3/1998	Fiorato	D26/85
D393,095 S *	3/1998	Fiorato	D26/85
D393,100 S *	3/1998	Fiorato	D26/85
D443,377 S *	6/2001	Handsaker	D26/72

D524,673 S *	7/2006	Dicke et al.	D10/114.1
7,182,487 B1 *	2/2007	Pickard et al.	362/368
D586,935 S *	2/2009	Lassen	D26/72
D612,975 S *	3/2010	Guercio et al.	D26/85
D617,492 S *	6/2010	Dordoni	D26/85
D624,684 S *	9/2010	Hemby	D26/71
D642,722 S *	8/2011	Oberpriller	D26/67

* cited by examiner

Primary Examiner — Clare E Heflin

(74) *Attorney, Agent, or Firm* — Raymond Sun

(57) **CLAIM**

The ornamental design for a lighting apparatus, as shown and described.

DESCRIPTION

FIG. 1 is a perspective view of a lighting apparatus showing my new design.

FIG. 2 is a top plan view thereof;

FIG. 3 is a bottom plan view thereof;

FIG. 4 is a front elevational view thereof;

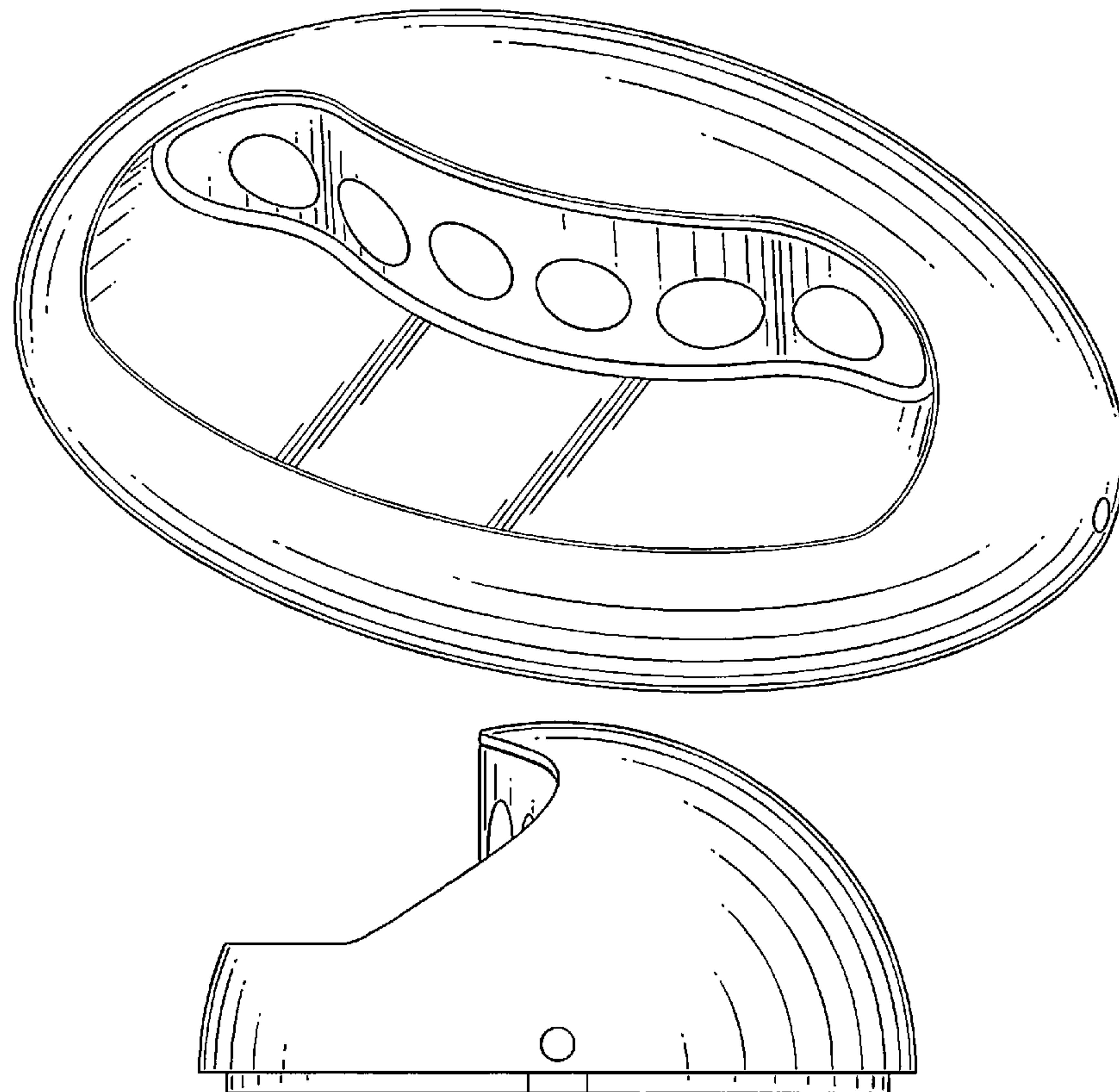
FIG. 5 is a rear elevational view thereof;

FIG. 6 is a left side elevational view thereof; and,

FIG. 7 is a right side elevational view of the lighting apparatus.

The features shown in the broken lines in FIG. 2 do not represent claimed subject matter.

1 Claim, 7 Drawing Sheets



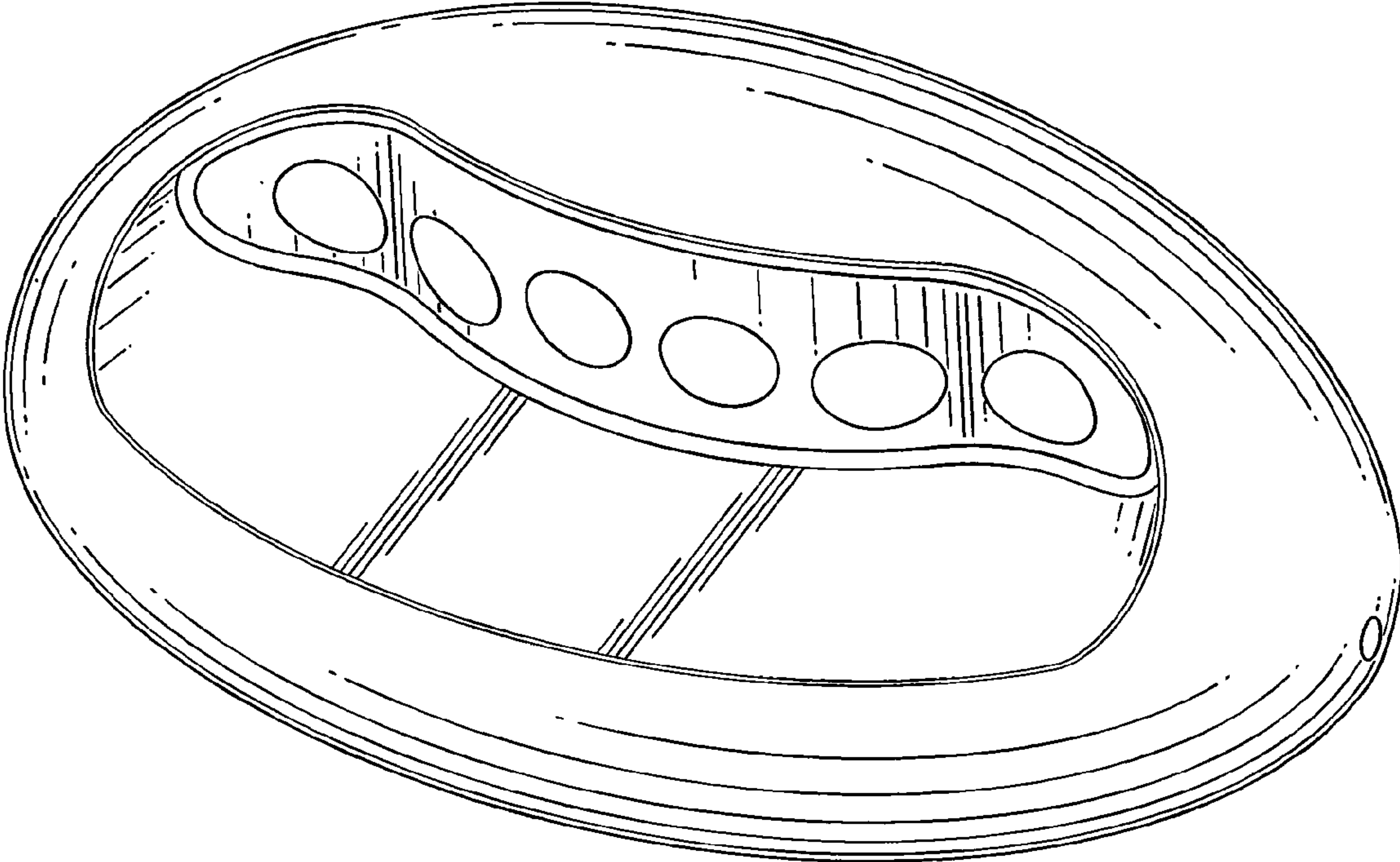


FIG. 1

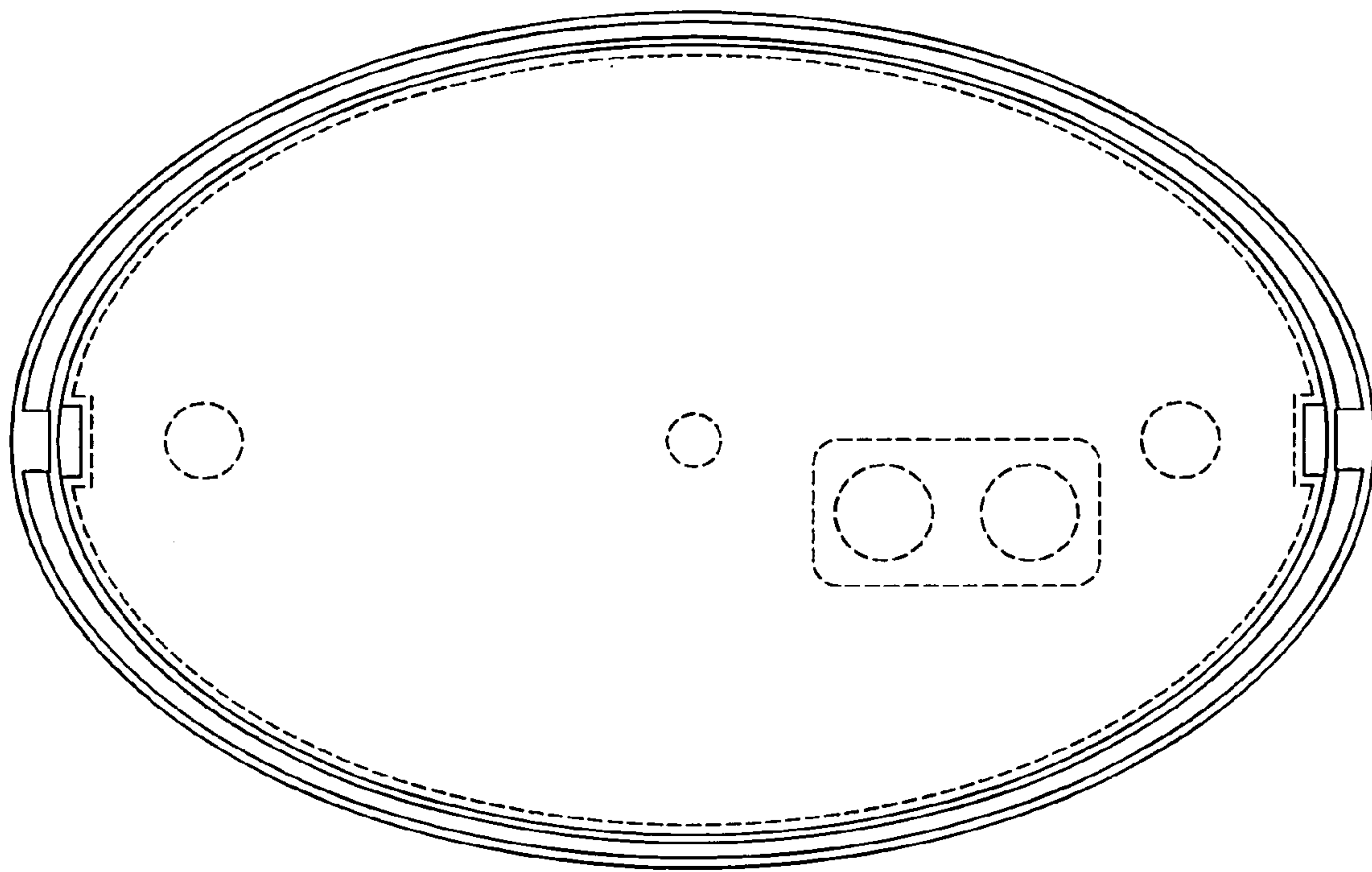


FIG. 2

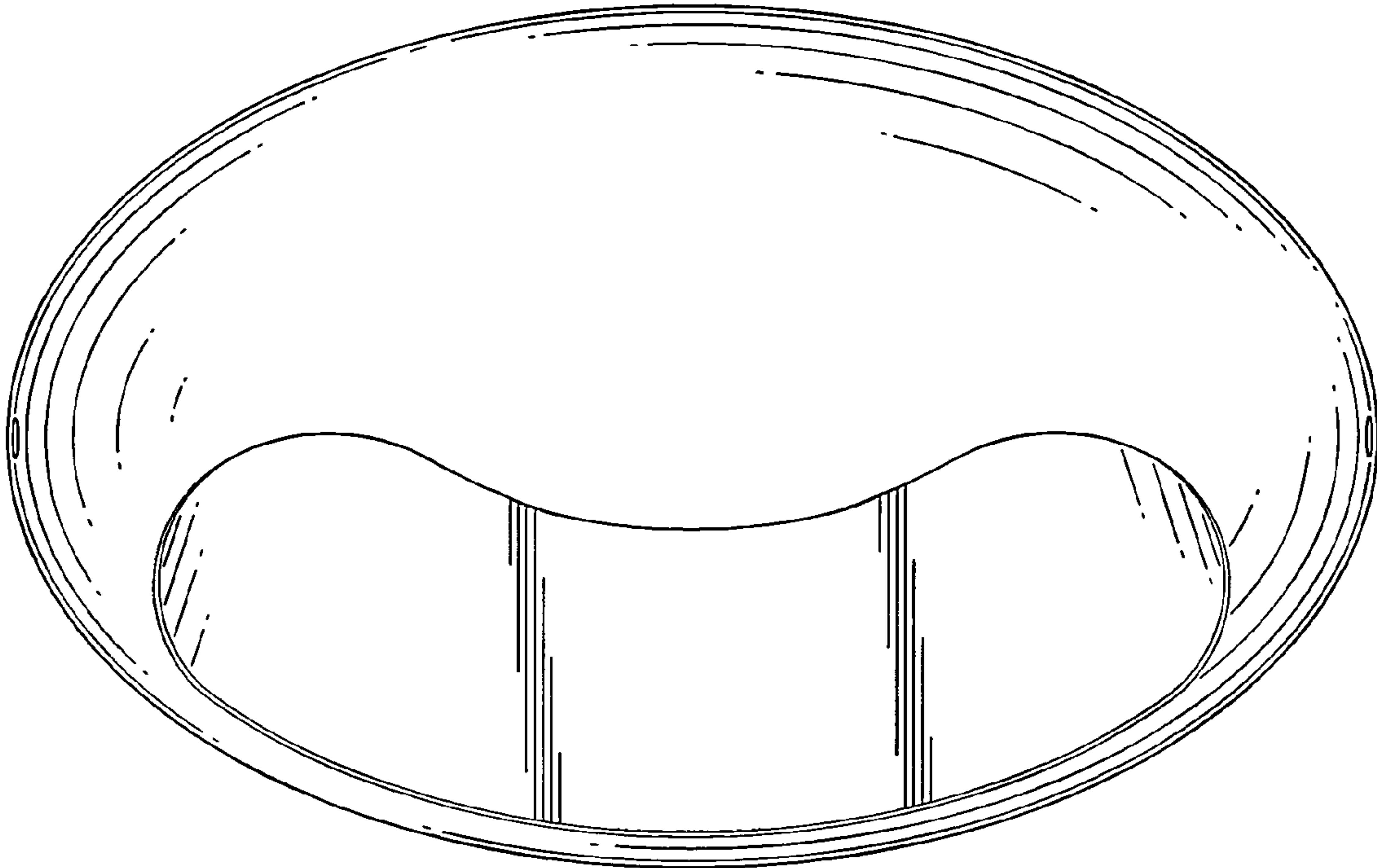


FIG.3

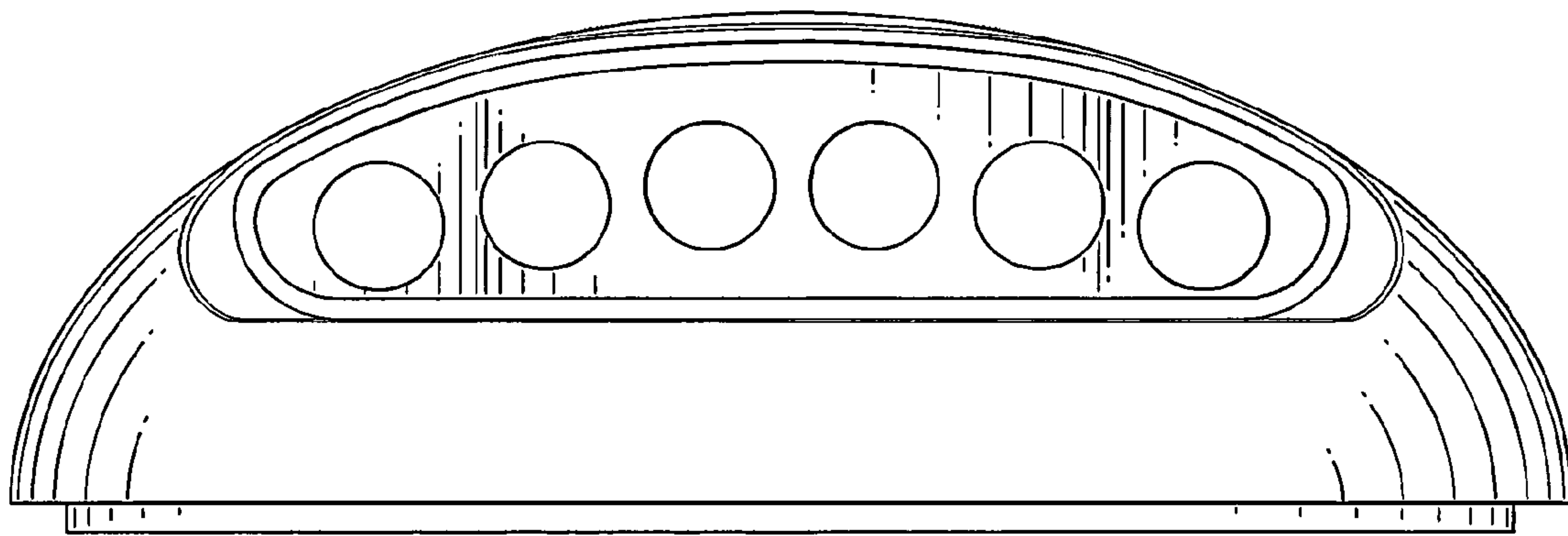


FIG.4

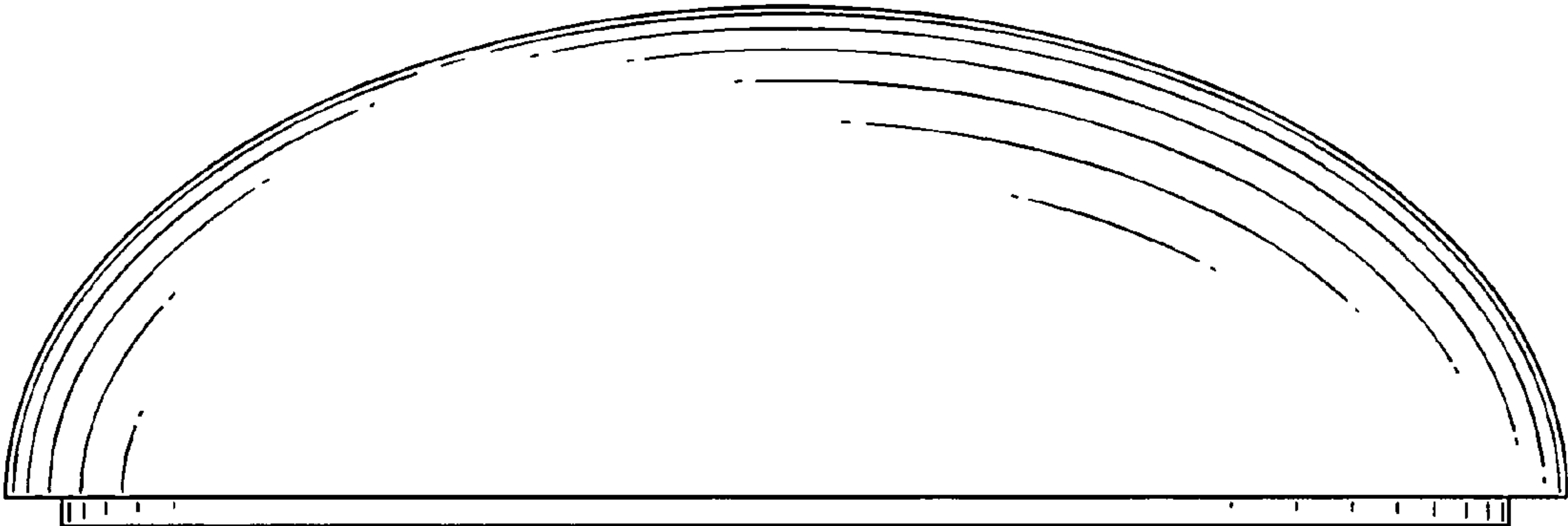


FIG. 5

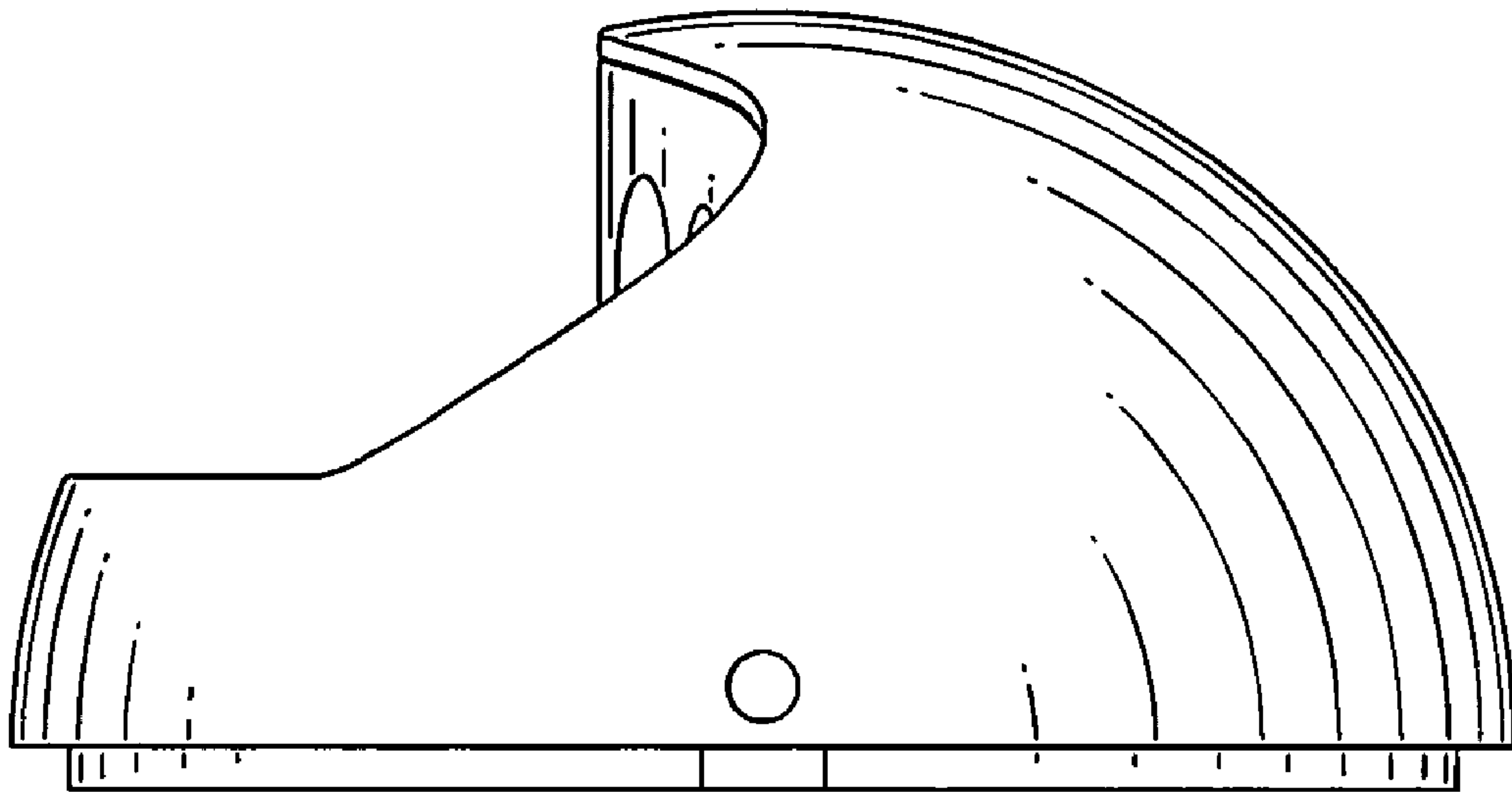


FIG. 6

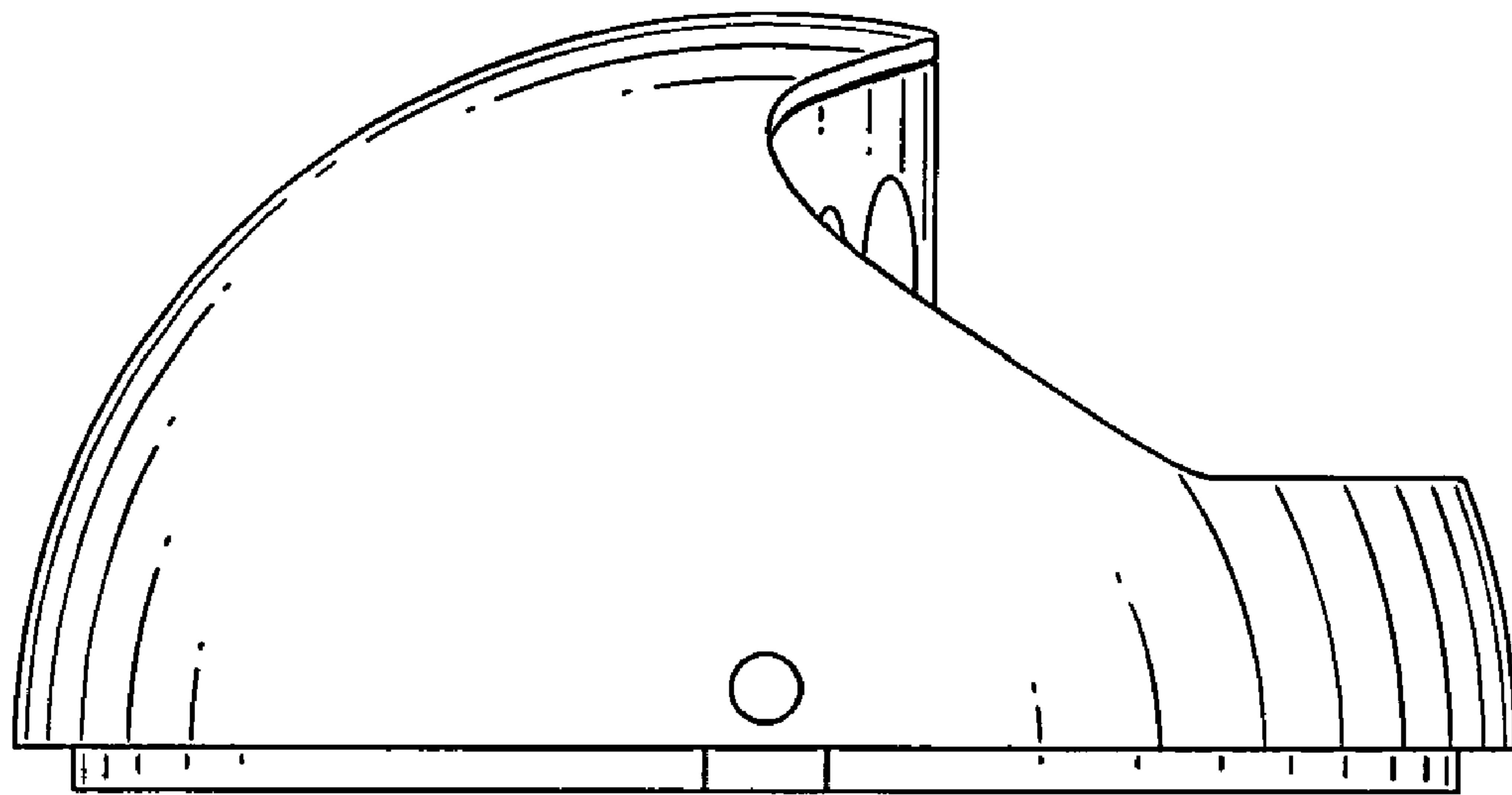


FIG. 7