



US00D678585S

(12) **United States Design Patent**
Schmitt et al.

(10) **Patent No.:** **US D678,585 S**
(45) **Date of Patent:** **** Mar. 19, 2013**

(54) **RECESSED DOWNLIGHT LUMINAIRE**

(75) Inventors: **Robert Schmitt**, Nottingham, NH (US);
Anil Jeswani, Beverly, MA (US);
Ronald Roberts, Melrose, MA (US)

(73) Assignee: **Osram Sylvania Inc.**, Danvers, MA
(US)

(**) Term: **14 Years**

(21) Appl. No.: **29/417,808**

(22) Filed: **Apr. 9, 2012**

(51) **LOC (9) Cl.** **26-05**

(52) **U.S. Cl.** **D26/74**

(58) **Field of Classification Search** D26/24,
D26/72, 80, 81, 83, 85, 88, 89, 91, 113, 118,
D26/123, 124, 138, 74, 76; 362/145, 146,
362/147, 148, 150, 153, 294, 296.01, 296.07,
362/296.08, 311.07, 311.09, 311.1, 345,
362/364, 365, 366, 373

See application file for complete search history.

(56) **References Cited**

U.S. PATENT DOCUMENTS

D320,862 S * 10/1991 Moeller et al. D26/24
D326,729 S * 6/1992 Gattari D26/74

D474,300 S * 5/2003 Lecluze D26/74
D548,389 S * 8/2007 Lecluze D26/138
D581,083 S * 11/2008 Chan et al. D26/74
7,722,227 B2 * 5/2010 Zhang et al. 362/364
D633,099 S * 2/2011 Van de Ven et al. D15/1
D640,820 S * 6/2011 Hopper D26/74
D654,205 S * 2/2012 Rashidi D26/74
D656,262 S * 3/2012 Yoshinobu et al. D26/74
D659,892 S * 5/2012 Ding et al. D26/113
D659,893 S * 5/2012 Ding et al. D26/113
2012/0140490 A1 * 6/2012 Rowlette et al. 362/373

* cited by examiner

Primary Examiner — Angela J Lee

(74) *Attorney, Agent, or Firm* — Shaun P. Montana

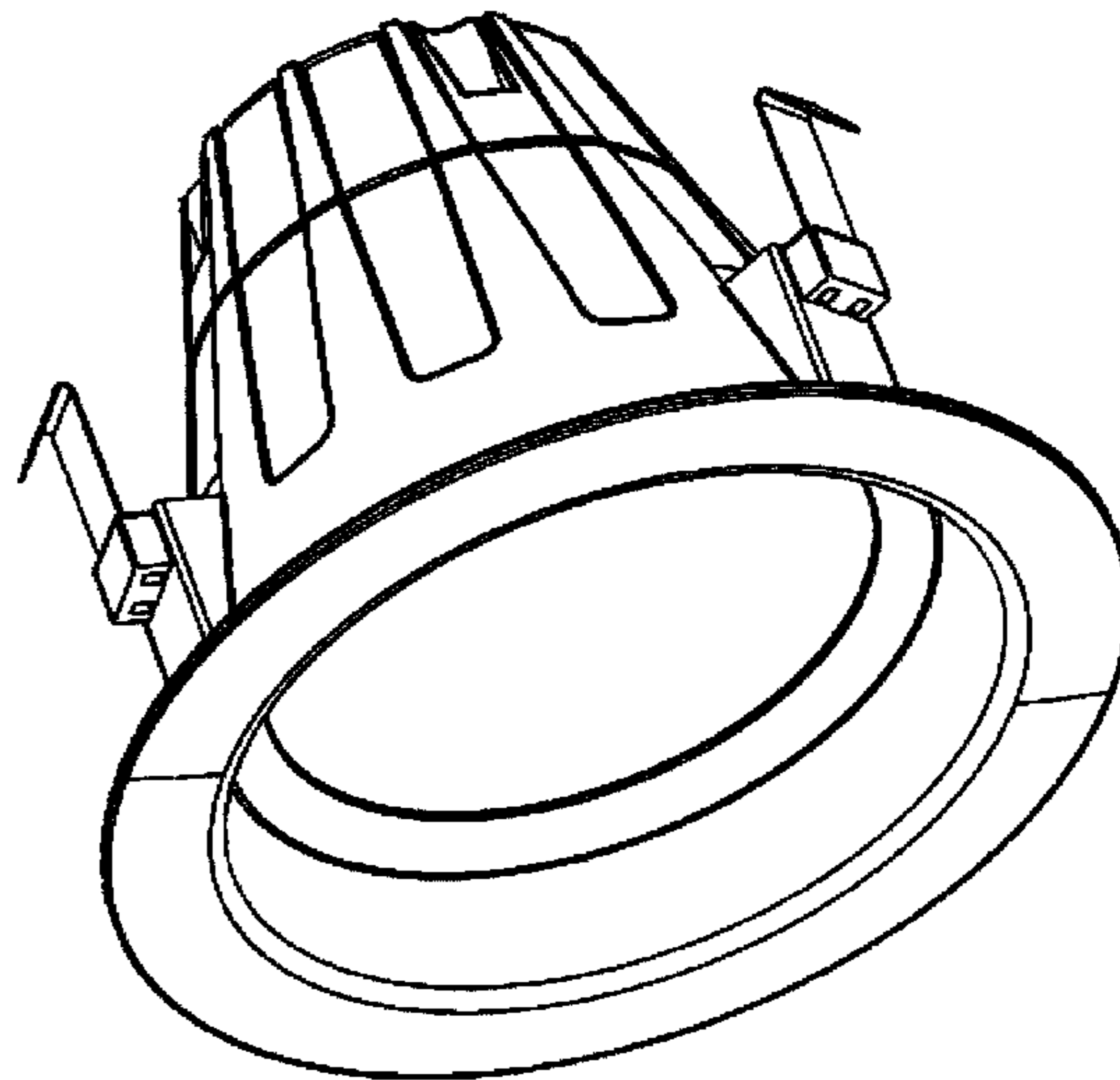
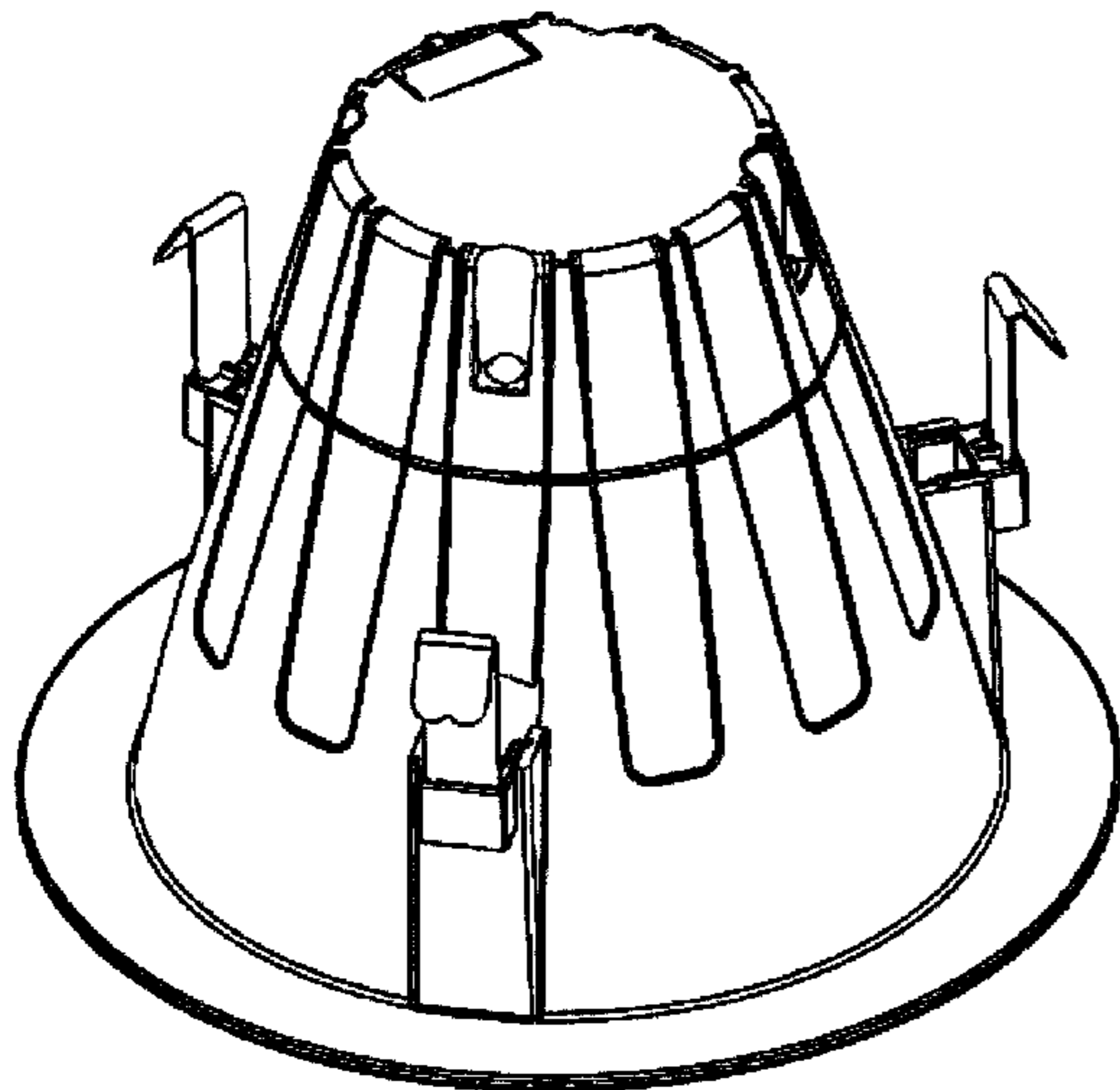
(57) **CLAIM**

The ornamental design for a recessed downlight luminaire, as shown and described.

DESCRIPTION

FIG. 1 is a perspective view of the recessed downlight luminaire showing our new design;
FIG. 2 is another perspective view thereof;
FIG. 3 is a top view thereof;
FIG. 4 is a bottom view thereof;
FIG. 5 is a right side view thereof;
FIG. 6 is a left side view thereof;
FIG. 7 is a front view thereof; and,
FIG. 8 is a rear view thereof.

1 Claim, 8 Drawing Sheets



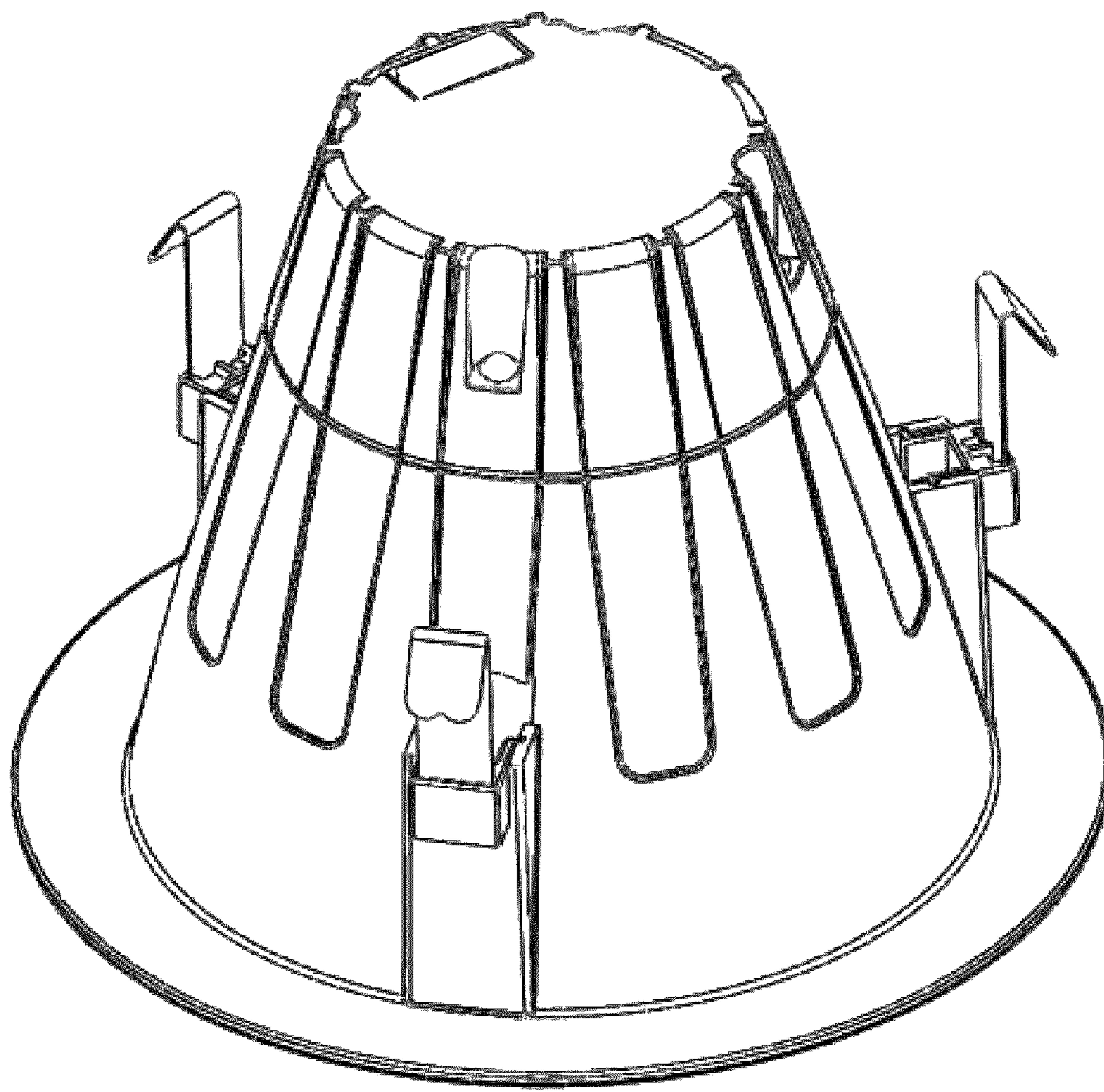


FIG. 1

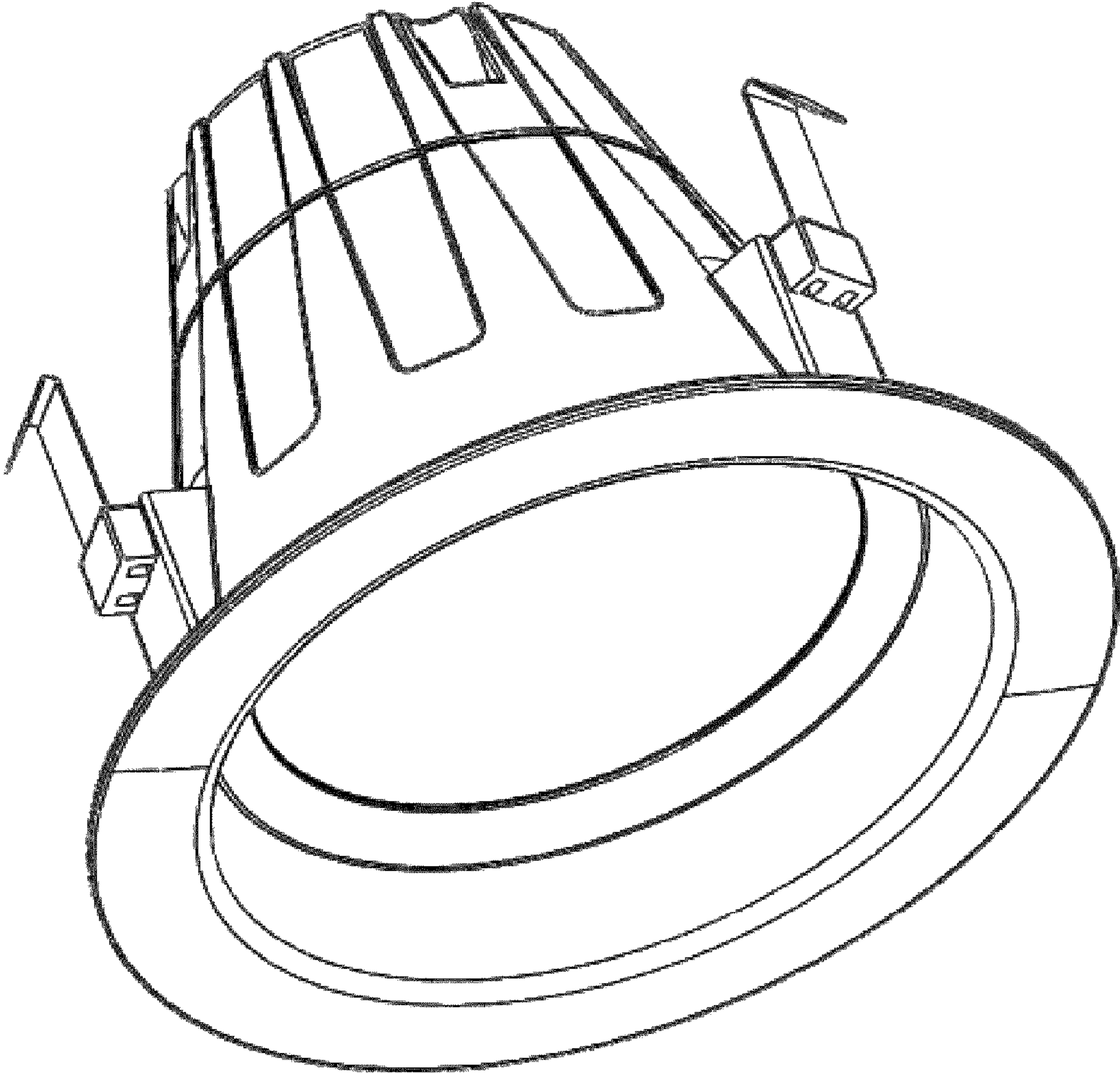


FIG. 2

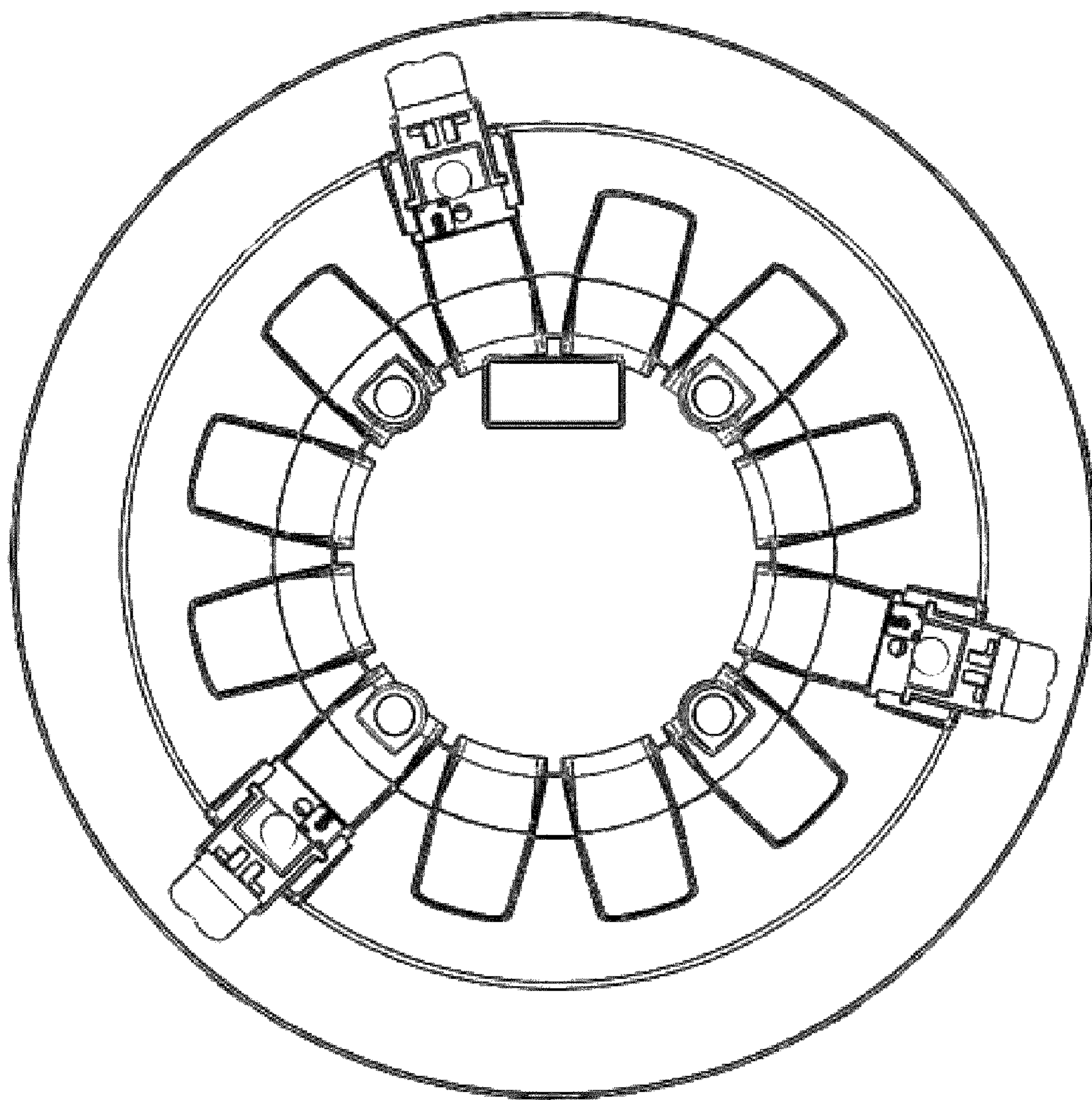


FIG. 3

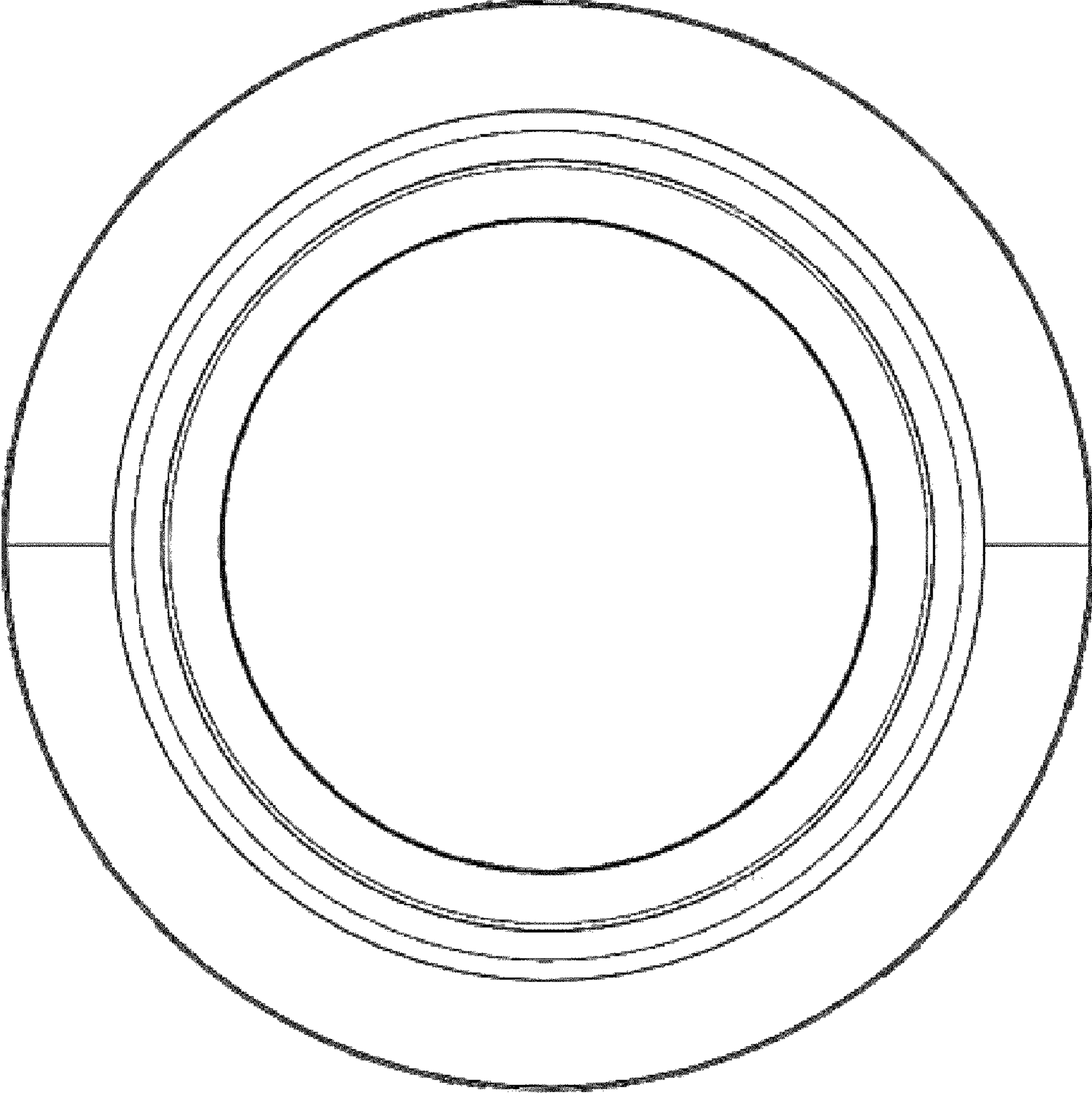


FIG. 4

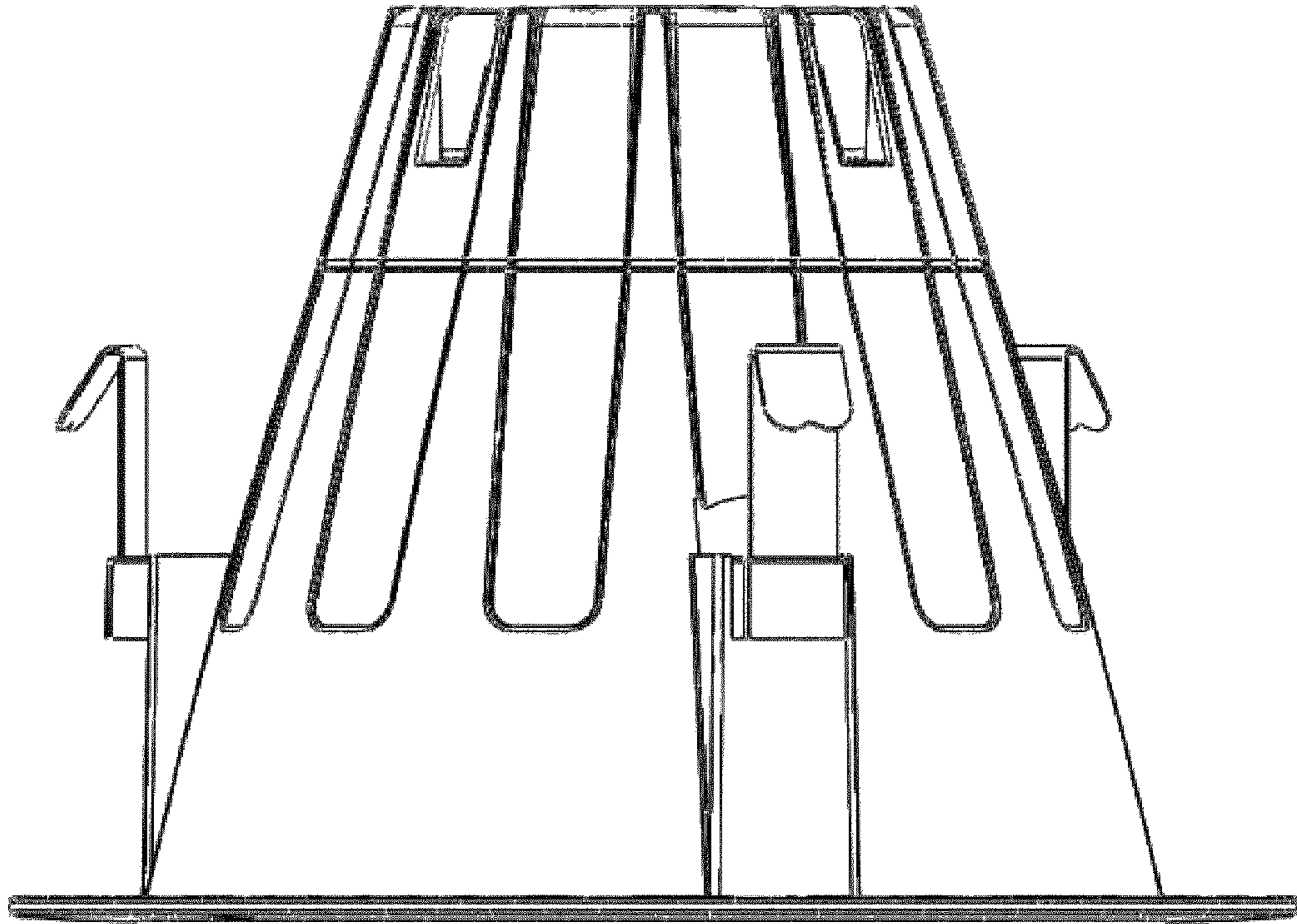


FIG. 5

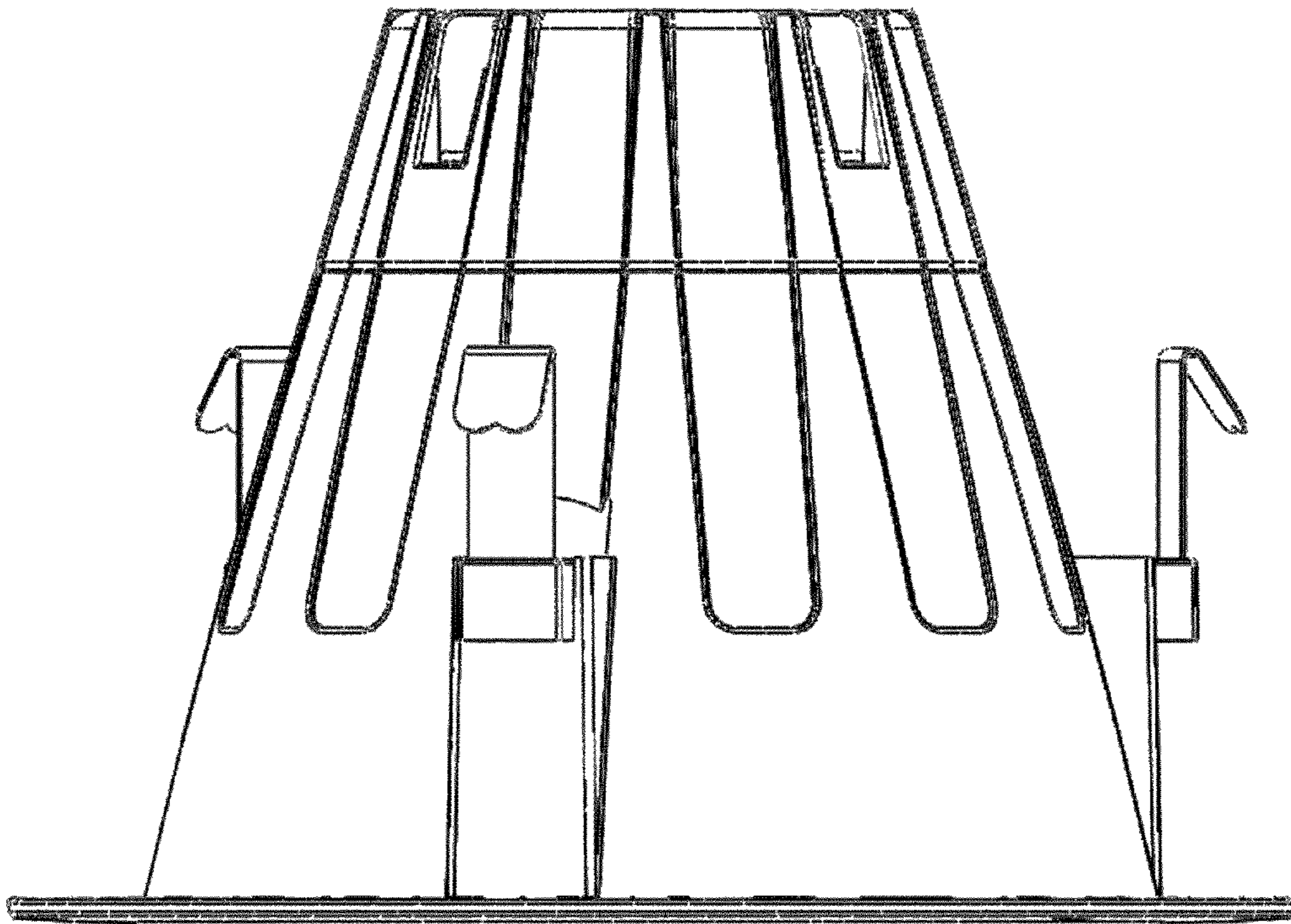


FIG. 6

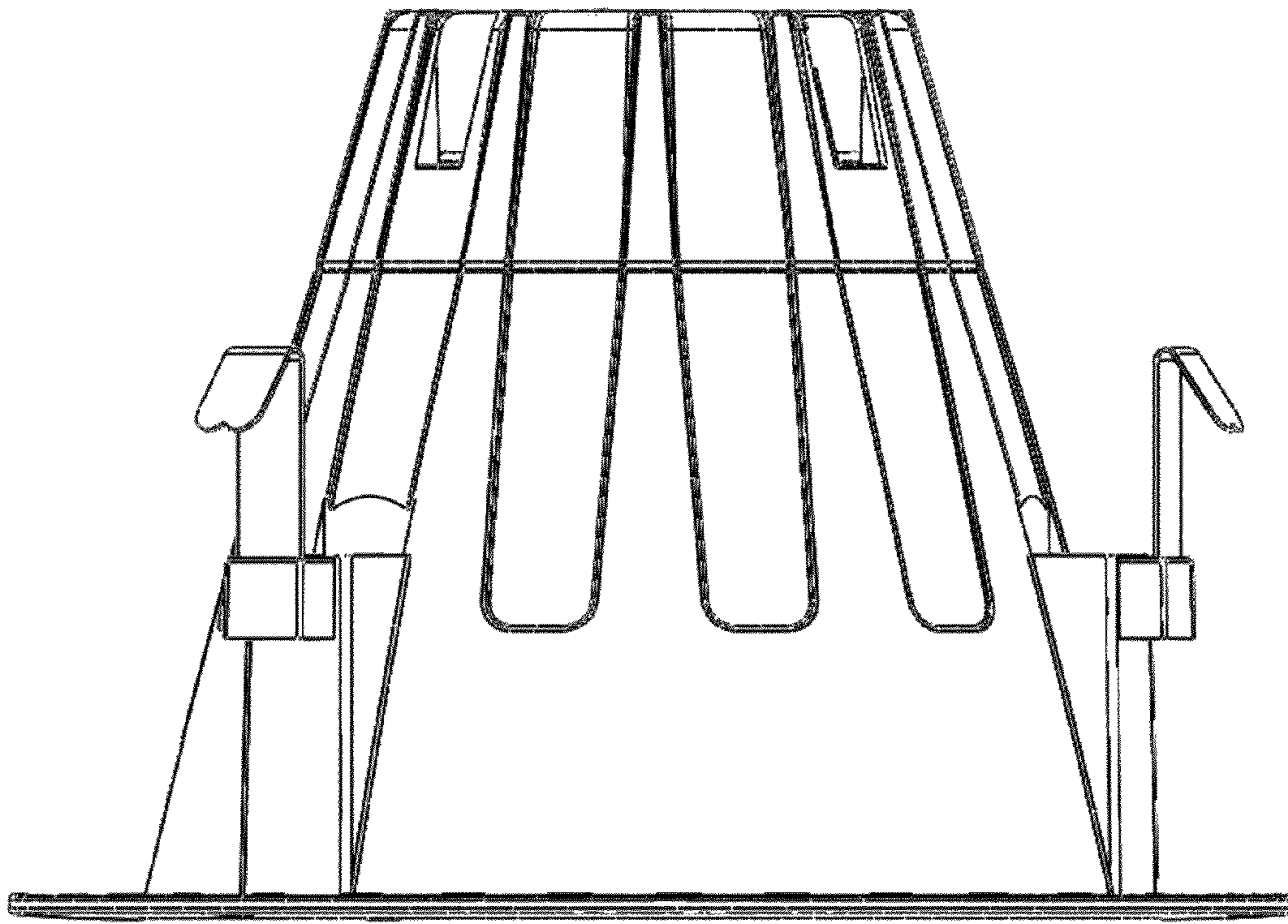


FIG. 7

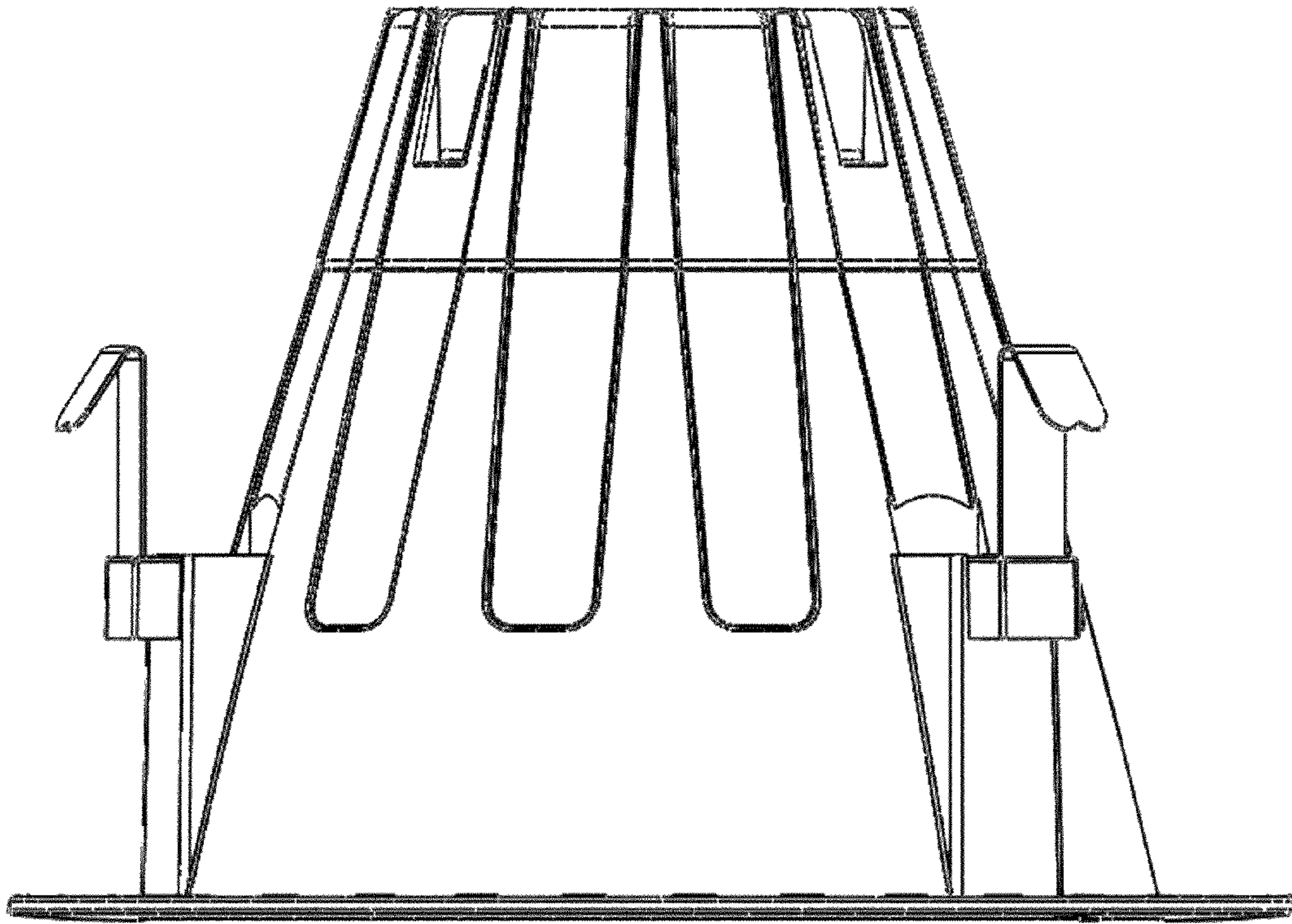


FIG. 8