



US00D678582S

(12) **United States Design Patent**
Du et al.

(10) **Patent No.:** **US D678,582 S**

(45) **Date of Patent:** **** Mar. 19, 2013**

(54) **STREET LIGHT**

(75) Inventors: **Jifang Du**, Guangdong (CN); **Wei Wang**, Guangdong (CN); **Jinhua Zhang**, Guangdong (CN); **Yuwei Wang**, Guangdong (CN)

(73) Assignee: **Jifang Du**, Guangdong (CN)

(**) Term: **14 Years**

(21) Appl. No.: **29/413,251**

(22) Filed: **Feb. 13, 2012**

(51) **LOC (9) Cl.** **26-05**

(52) **U.S. Cl.** **D26/71**

(58) **Field of Classification Search** D26/63,
D26/67-71, 92; 362/249.01-249.06, 294,
362/373, 431

See application file for complete search history.

(56) **References Cited**

U.S. PATENT DOCUMENTS

D525,737 S * 7/2006 Roos et al. D26/63
D599,941 S * 9/2009 Wang et al. D26/71
D610,287 S * 2/2010 Gill D26/71

D614,336 S * 4/2010 Zheng et al. D26/71
D622,888 S * 8/2010 Chakravarty et al. D26/71
D627,909 S * 11/2010 Hu et al. D26/63
D631,999 S * 2/2011 Little et al. D26/71
D632,819 S * 2/2011 Kong et al. D26/71
D633,242 S * 2/2011 Piano D26/63
D650,504 S * 12/2011 Kim et al. D26/63
D654,203 S * 2/2012 Kuan et al. D26/71
2009/0185374 A1 * 7/2009 Wu et al. 362/249.06

* cited by examiner

Primary Examiner — Clare E Heflin

(74) *Attorney, Agent, or Firm* — David W. Carstens; Carstens & Cahoon, LLP

(57) **CLAIM**

The ornamental design for a street light, as shown.

DESCRIPTION

FIG. 1 is a perspective view of the street light showing the design;

FIG. 2 is a bottom plan view thereof;

FIG. 3 is a top plan view thereof;

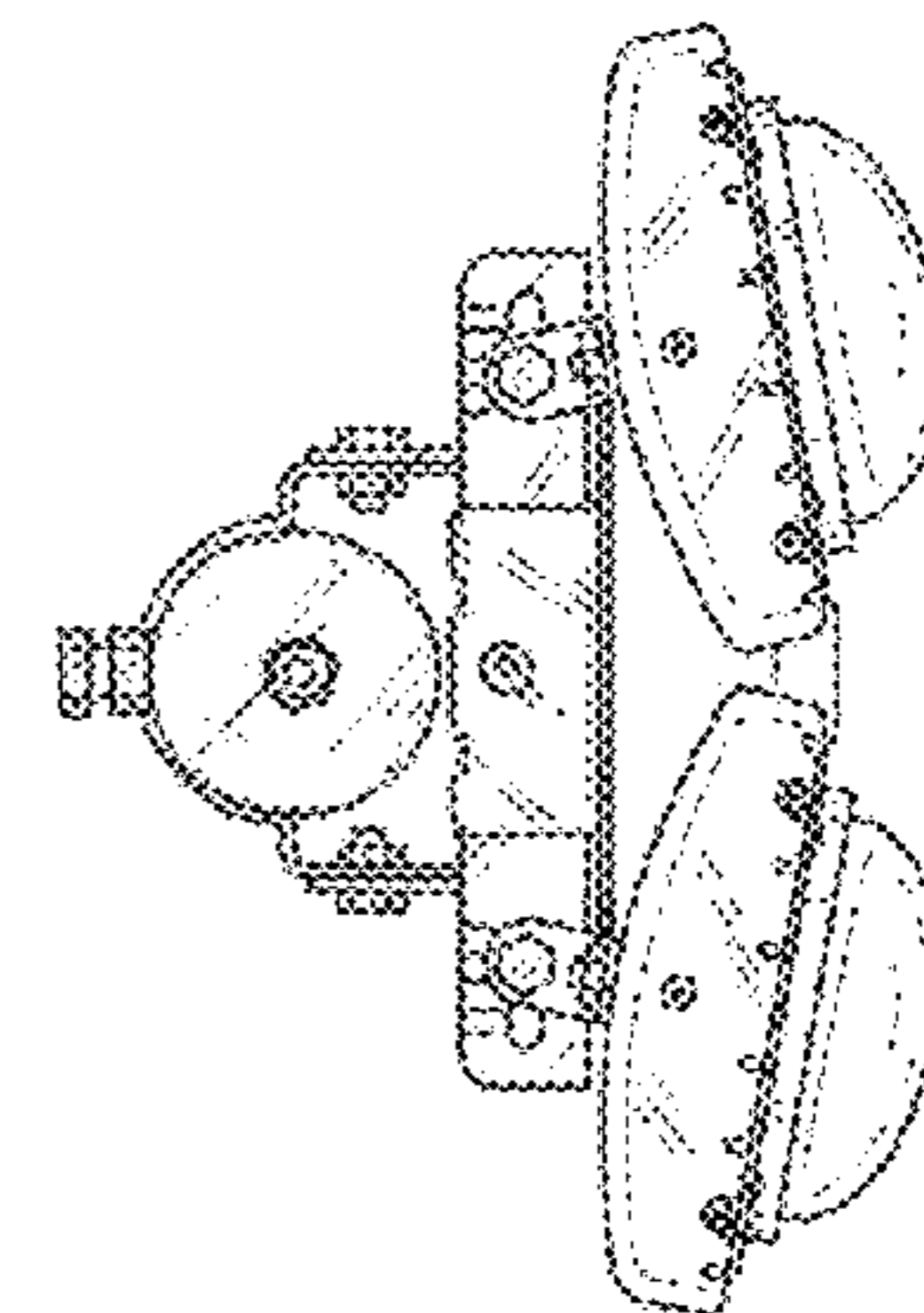
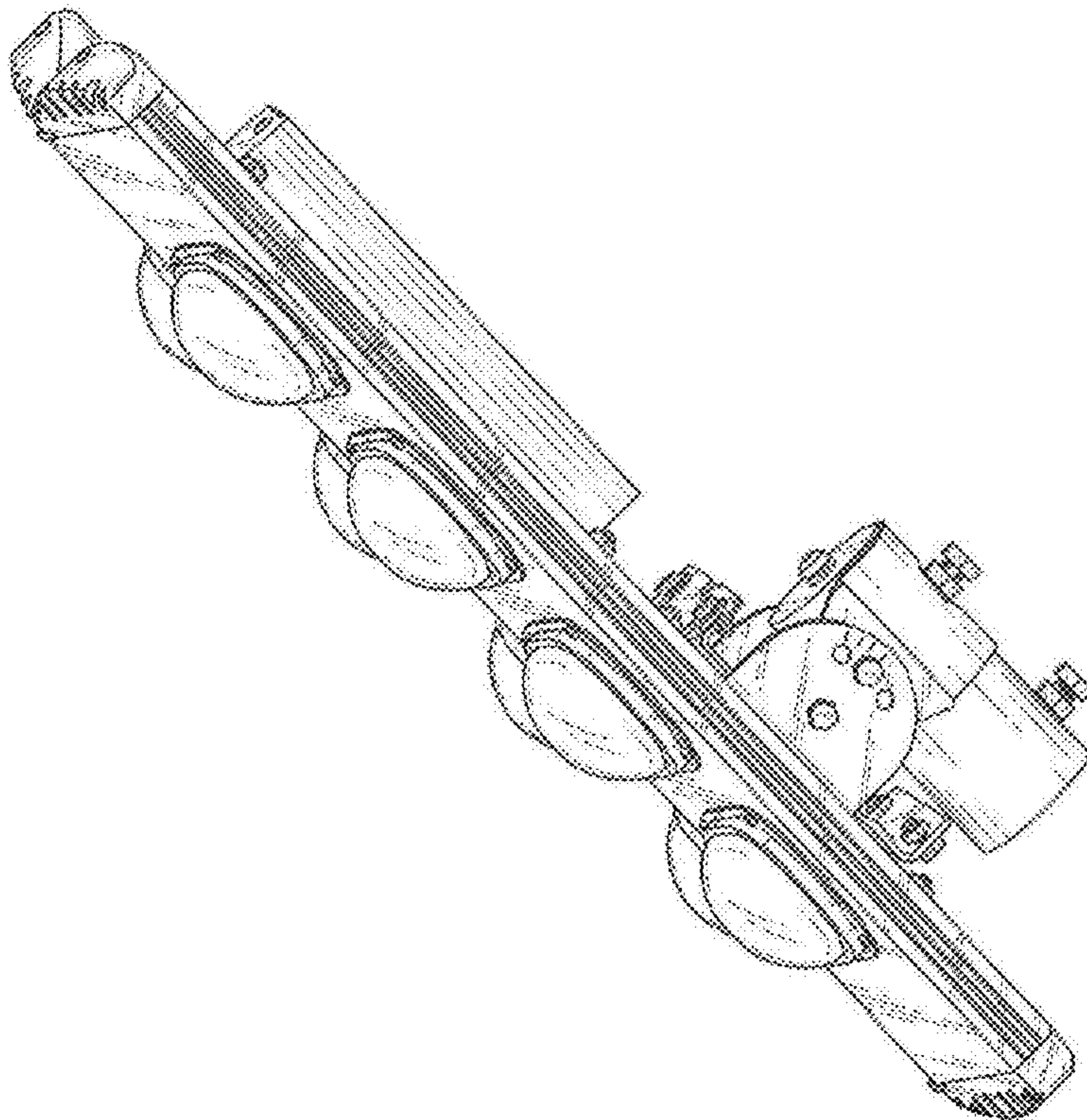
FIG. 4 is a front elevation view thereof;

FIG. 5 is a rear elevation view thereof;

FIG. 6 is a right side elevation view thereof; and,

FIG. 7 is a left side elevation view thereof.

1 Claim, 7 Drawing Sheets



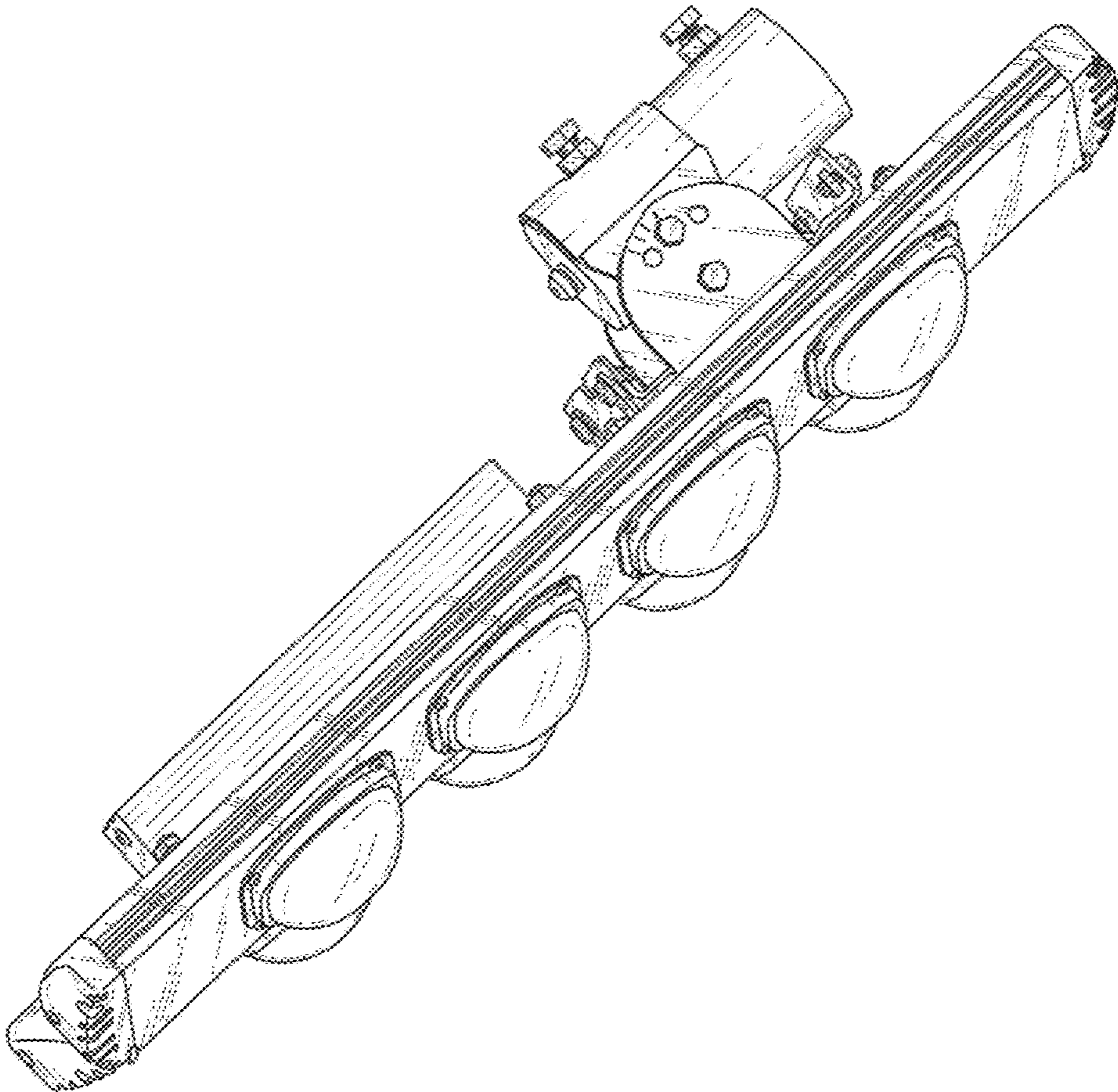


FIG. 1

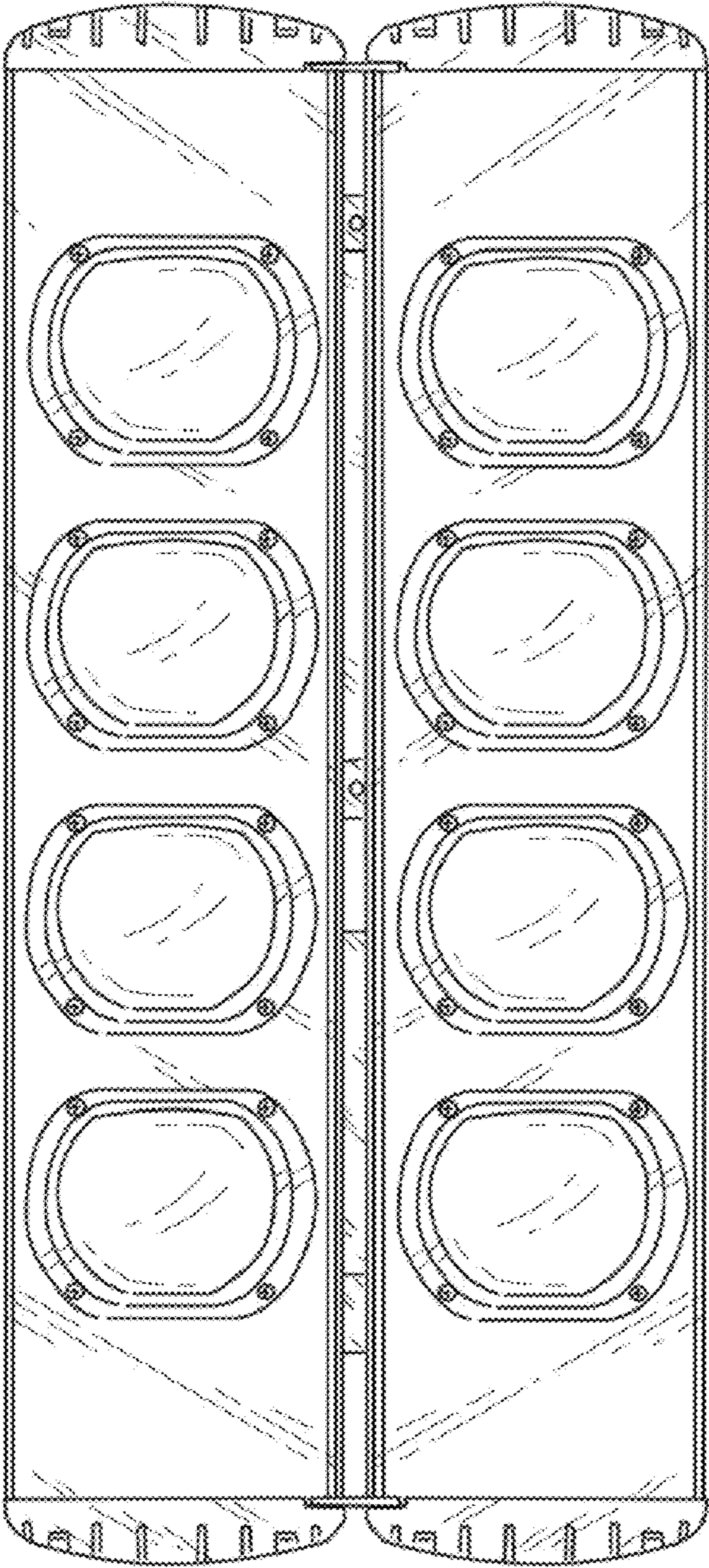


FIG. 2

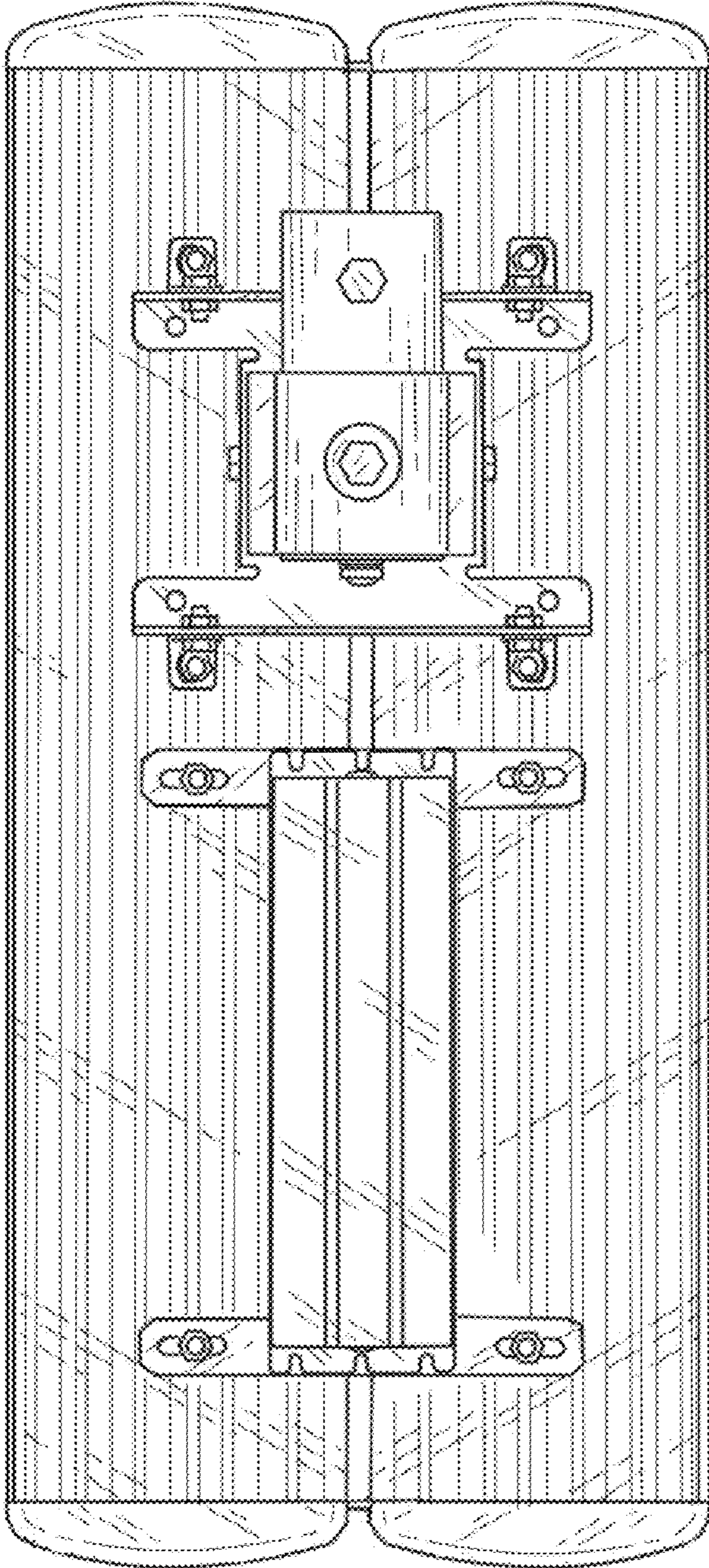


FIG. 3

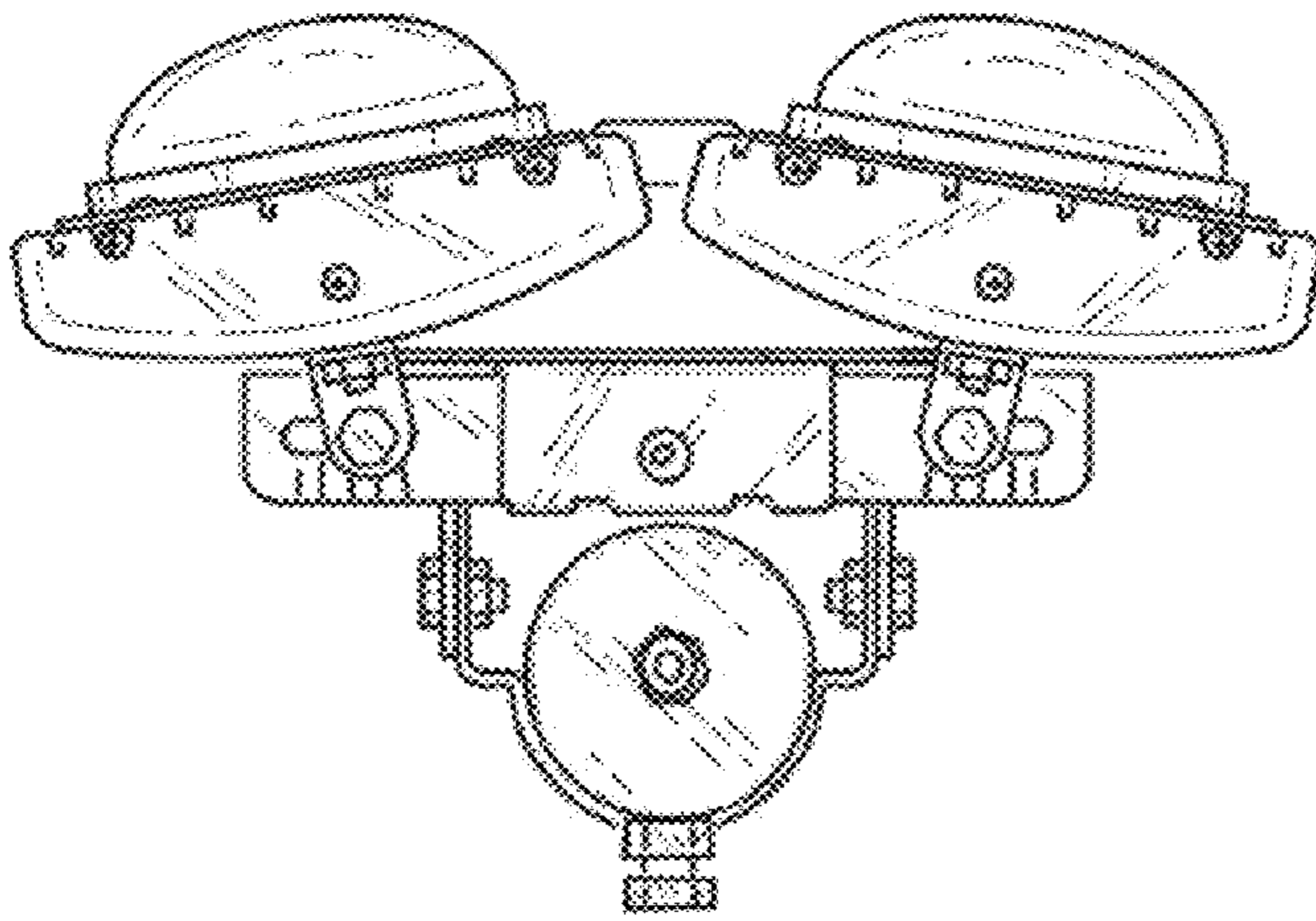


FIG. 4

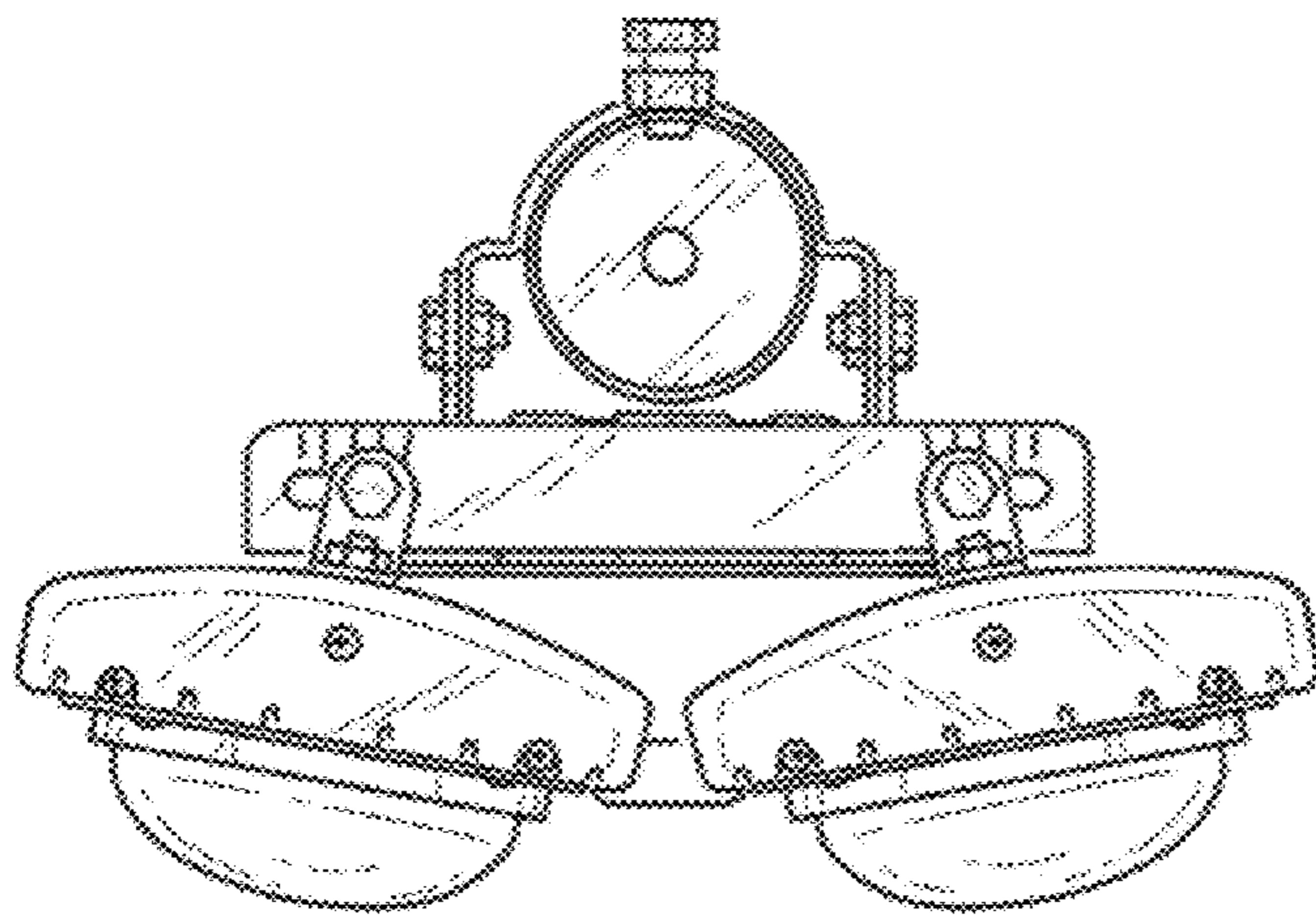


FIG. 5

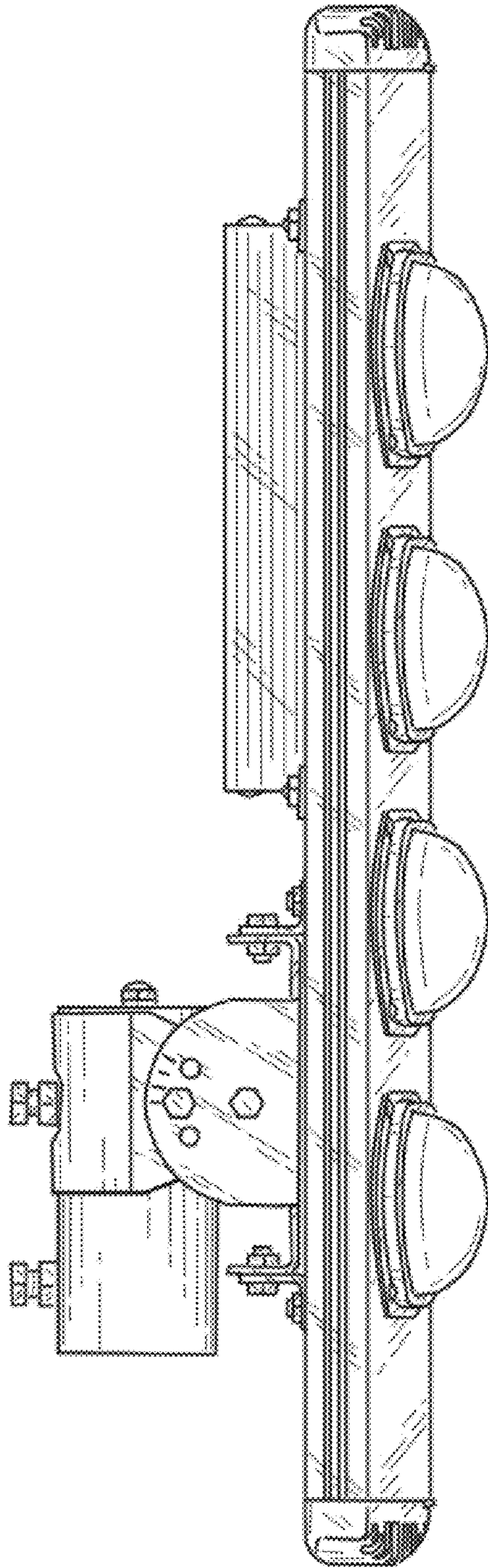


FIG. 6

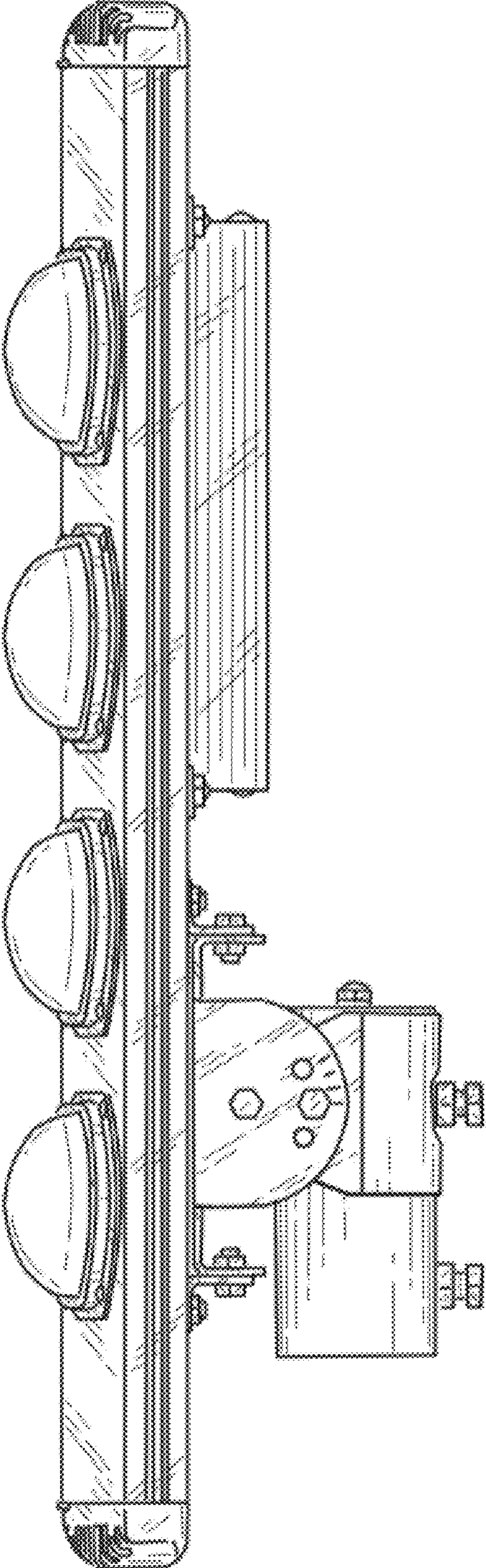


FIG. 7