



US00D678580S

(12) **United States Design Patent**  
**Rizzi et al.**

(10) **Patent No.:** **US D678,580 S**  
(45) **Date of Patent:** **\*\* Mar. 19, 2013**

(54) **OUTDOOR LIGHT**

(75) Inventors: **John J. Rizzi**, Westport, CT (US);  
**Nancy E. Clanton**, Lyons, CO (US);  
**Dane R. Sanders**, Broomfield, CO (US)

(73) Assignee: **Landscape Forms, Inc.**, Kalamazoo, MI (US)

(\*\*) Term: **14 Years**

(21) Appl. No.: **29/398,182**

(22) Filed: **Jul. 27, 2011**

(51) **LOC (9) Cl.** ..... **26-05**

(52) **U.S. Cl.** ..... **D26/71**

(58) **Field of Classification Search** ..... D26/67-72,  
D26/107; 362/183, 431, 432

See application file for complete search history.

(56) **References Cited**

U.S. PATENT DOCUMENTS

2,491,448	A	*	12/1949	Hillenbrand et al.	.....	362/283
D187,814	S	*	5/1960	Thurston	.....	D26/107
D189,057	S	*	10/1960	Schreckengost	.....	D26/71
D205,719	S	*	9/1966	Pettengill	.....	D26/69
D205,720	S	*	9/1966	Villa	.....	D26/68
D210,907	S	*	4/1968	Villa	.....	D26/68
D222,810	S	*	1/1972	Husby et al.	.....	D26/68
3,686,498	A	*	8/1972	Meyer	.....	362/431
D233,167	S	*	10/1974	Gore et al.	.....	D26/71
D236,909	S	*	9/1975	Richilano	.....	D26/68
D377,399	S	*	1/1997	Kay	.....	D26/68
D428,180	S	*	7/2000	Orellana et al.	.....	D26/67
D470,965	S	*	2/2003	Landefeld	.....	D26/71
D496,120	S	*	9/2004	Cooper et al.	.....	D26/71
D501,057	S	*	1/2005	Haugaard et al.	.....	D26/71
D577,847	S	*	9/2008	Ruud et al.	.....	D26/71

D624,491	S	*	9/2010	Xuan	.....	D13/102
D663,879	S	*	7/2012	Lee et al.	.....	D26/71
8,235,564	B2	*	8/2012	Jeong	.....	362/431

OTHER PUBLICATIONS

“GE Lighting Launches New Iberia Outdoor LED”, <http://www.gelighting.com>, Frankfurt, Germany, Apr. 2010, 1 pg.

“Philips Citea Series—Outdoor Lighting”, <http://www.lumec.com>, Jun. 2011, 1 pg.

“Athens”, <http://www.hessamerica.com>, Jun. 2011, 1 pg.

“Hi-Glo”, <http://www.landscapeforms.com>, Jun. 2011, 1 pg.

\* cited by examiner

*Primary Examiner* — Clare E Heflin

(74) *Attorney, Agent, or Firm* — Heslin Rothenberg Farley & Mesiti P.C.

(57) **CLAIM**

The ornamental design for the outdoor light, as shown and described.

**DESCRIPTION**

FIG. 1 is a perspective view of a first embodiment of the outdoor light of the present design;

FIG. 2 is a front elevation view thereof;

FIG. 3 is a right side elevation view thereof, the left side elevation view being a mirror image thereof;

FIG. 4 is a rear elevation view thereof;

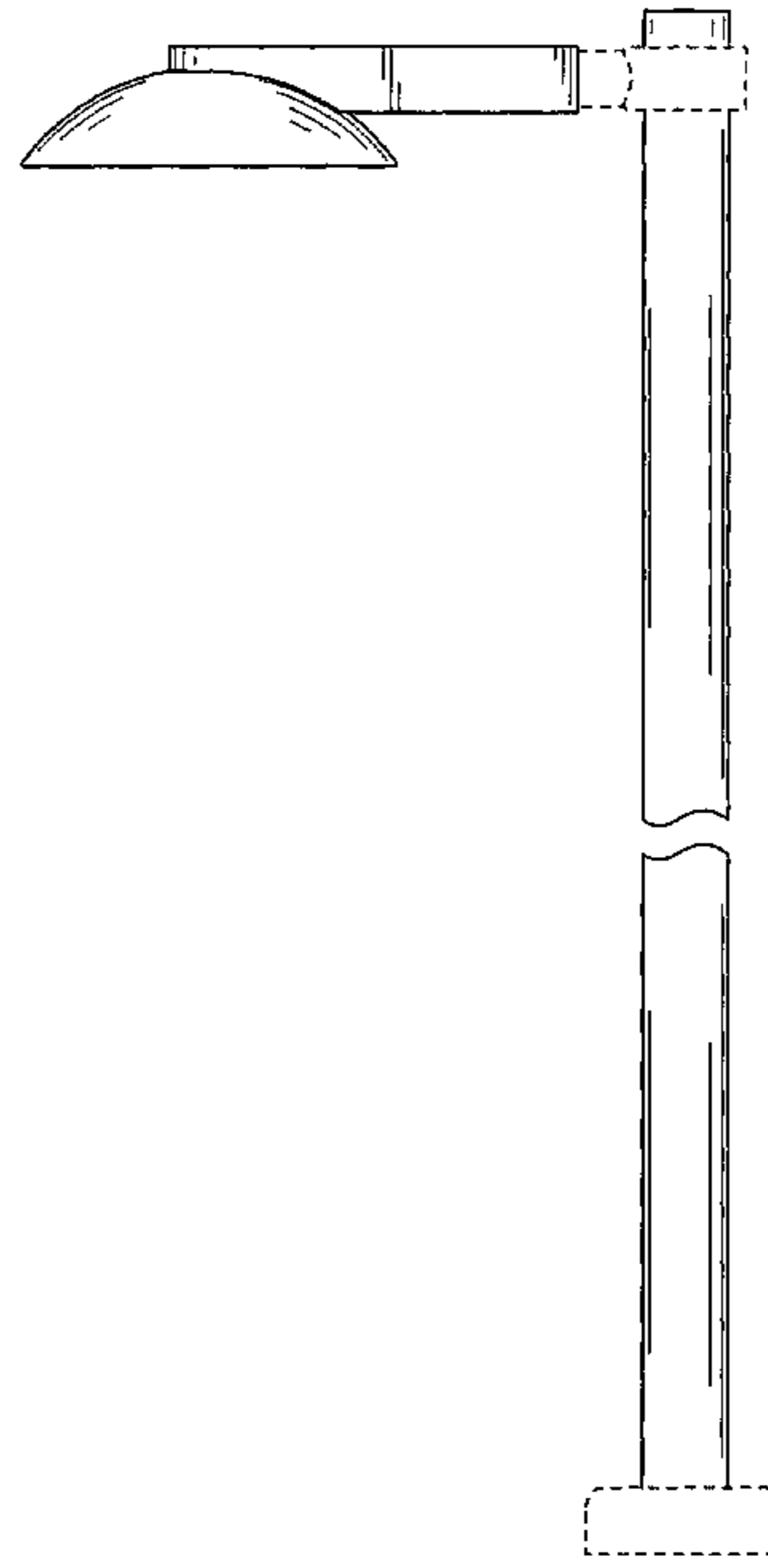
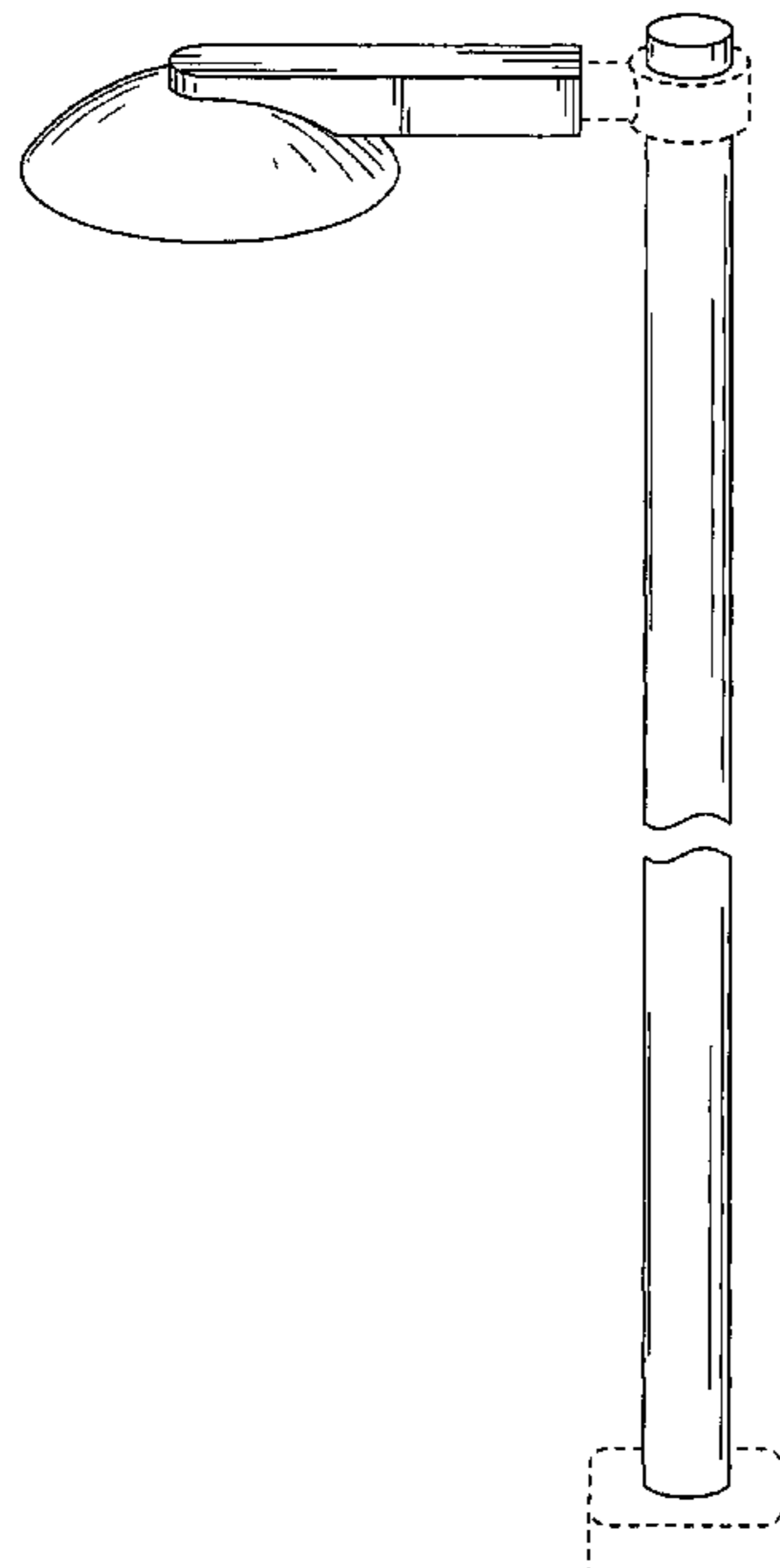
FIG. 5 is a top plan view thereof;

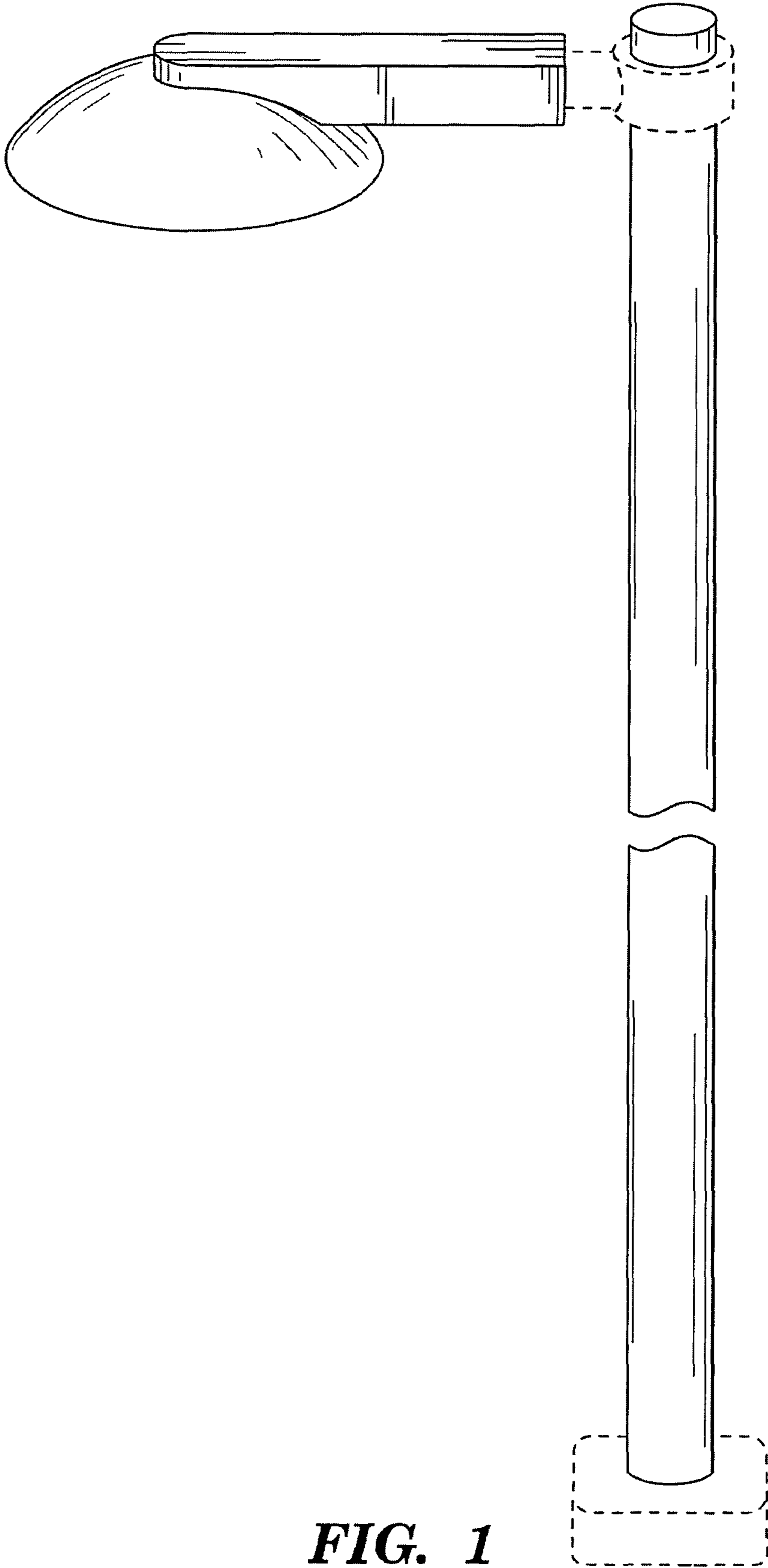
FIG. 6 is a bottom plan view thereof showing the concave diffuser thereof; and,

FIG. 7 is a bottom plan view of a second embodiment having a flat diffuser, all of the other features and views being identical to those of the first embodiment.

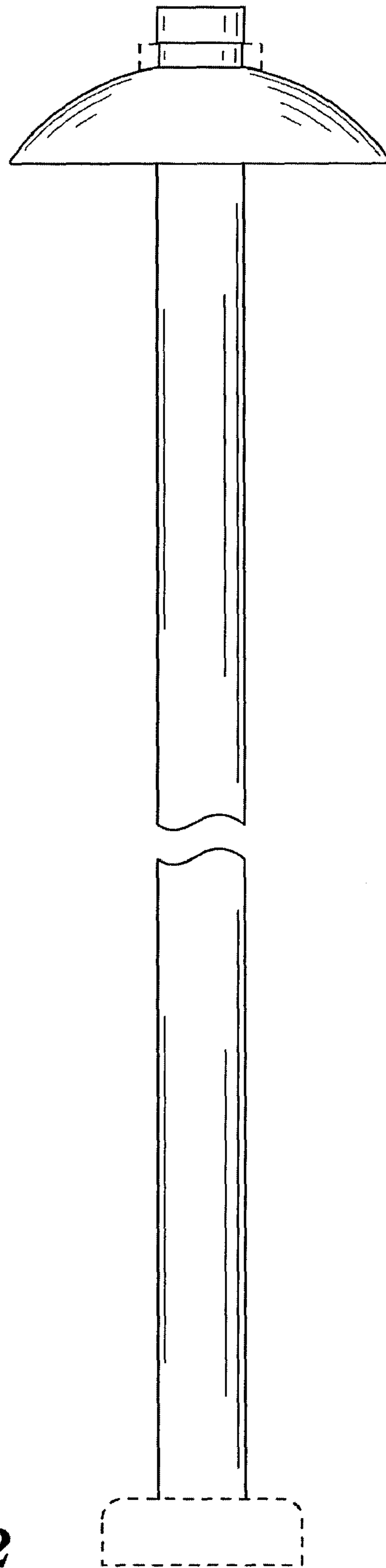
The broken lines illustrate environmental structure and form no part of the claimed design.

**1 Claim, 5 Drawing Sheets**

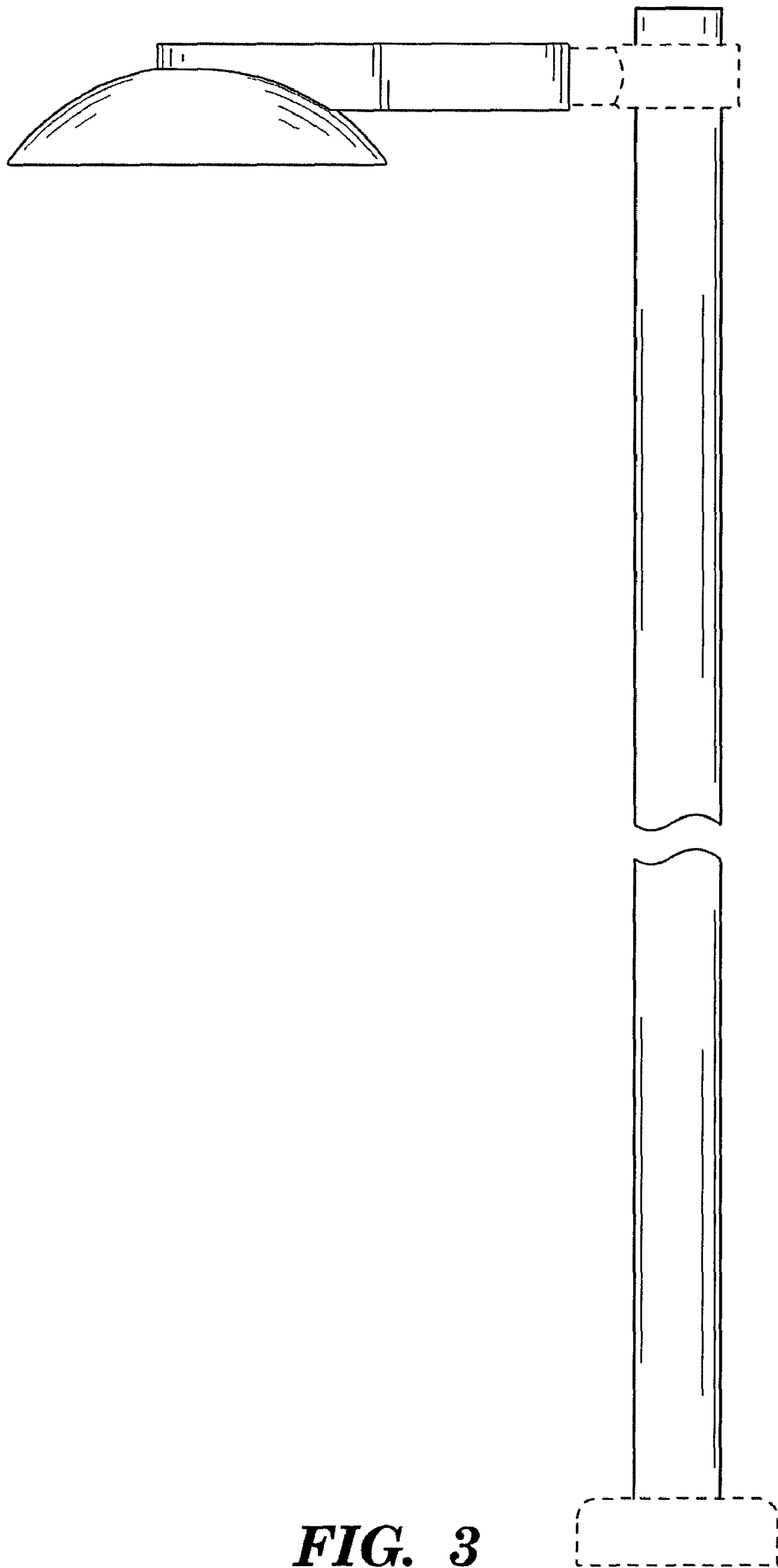




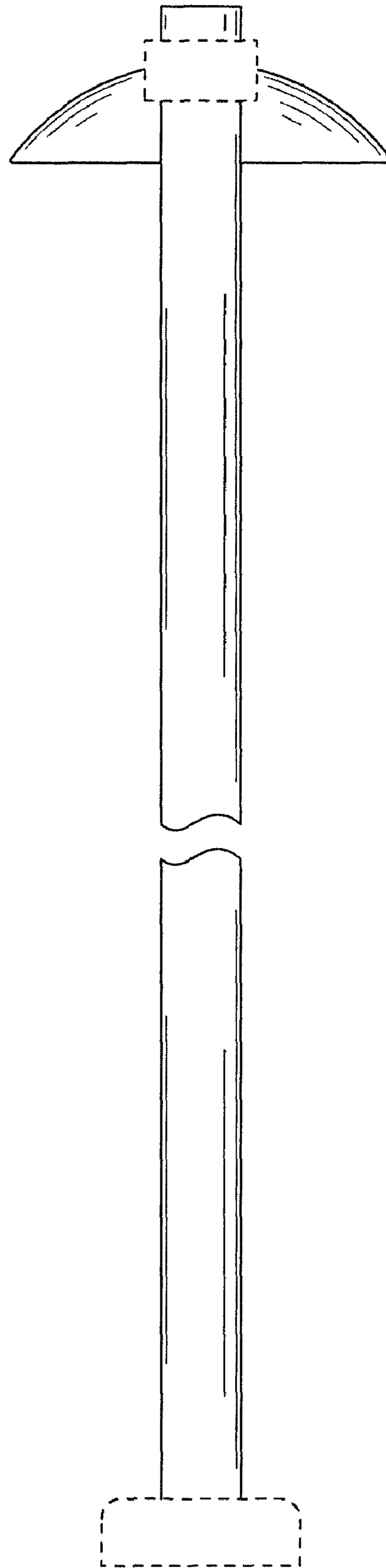
**FIG. 1**



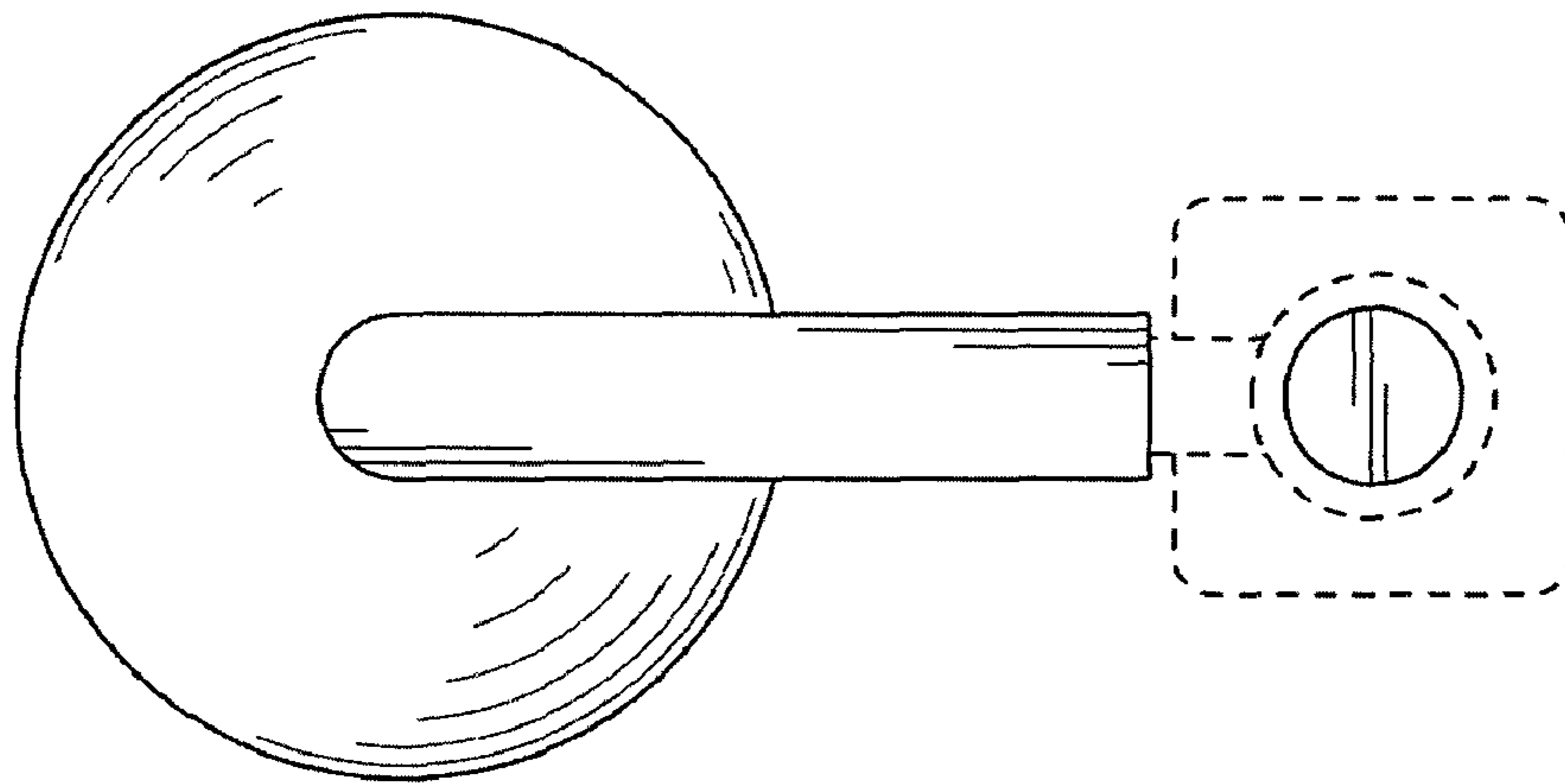
**FIG. 2**



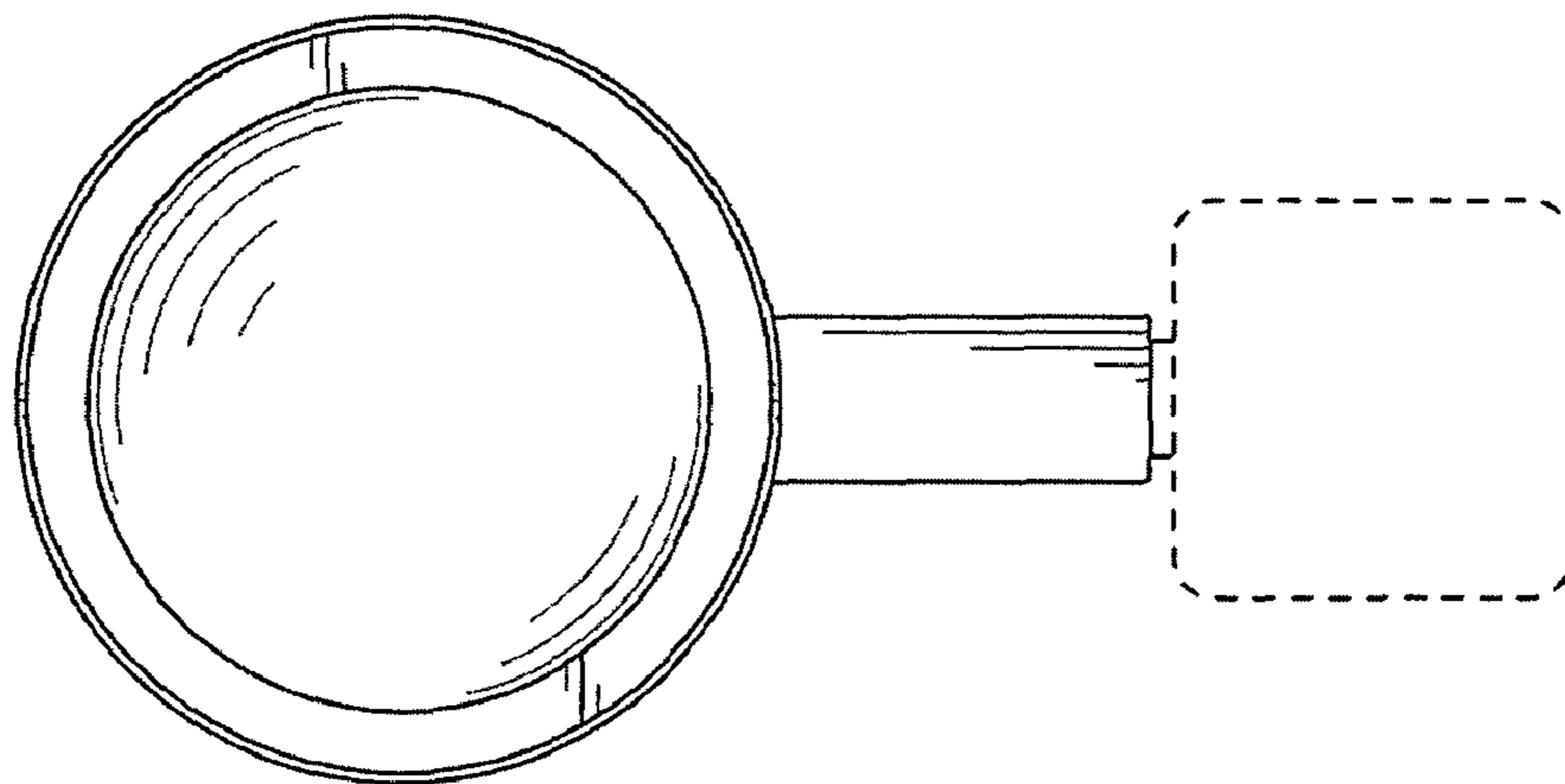
**FIG. 3**



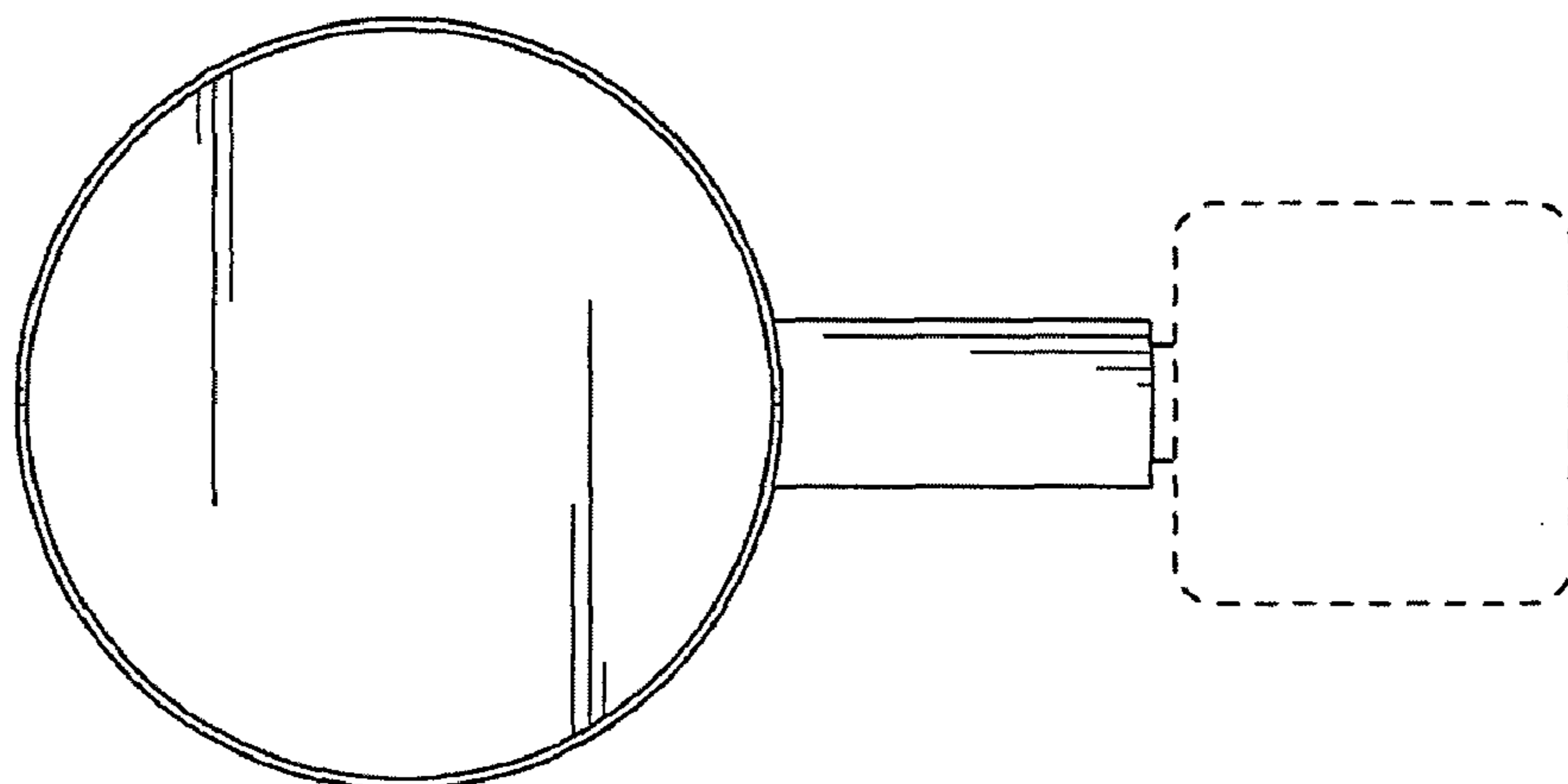
**FIG. 4**



**FIG. 5**



**FIG. 6**



**FIG. 7**