



US00D678579S

(12) **United States Design Patent**
Lee et al.

(10) **Patent No.:** **US D678,579 S**
(45) **Date of Patent:** **** Mar. 19, 2013**

(54) **LED LAMP**

(75) Inventors: **Tsu Lee**, Taipei (TW); **Zhong-Lin Tang**, Shao Yang (CN); **Lei Zhao**, Yue-Yang (CN); **Chun Kin Patrick Chan**, Hong Kong (CN); **Feng Ma**, Mi Yang (CN); **Jin-Yun Yang**, Jiujiang (CN)

(73) Assignee: **Pan-Jit International Inc.**, Kaohsiung (TW)

(**) Term: **14 Years**

(21) Appl. No.: **29/386,157**

(22) Filed: **Feb. 25, 2011**

D599,941 S	9/2009	Wang et al.	
D599,942 S	9/2009	Zheng	
D601,292 S	9/2009	Yan et al.	
D605,328 S	12/2009	Wang et al.	
D614,791 S	4/2010	Nibaldi	
D641,094 S *	7/2011	Chang	D26/71
D645,190 S *	9/2011	Van Klinken et al.	D26/71
D645,601 S *	9/2011	Bacon	D26/71
D646,419 S *	10/2011	Chiang et al.	D26/71
D646,420 S *	10/2011	Chen et al.	D26/71
D649,694 S *	11/2011	Kong et al.	D26/71
D657,485 S *	4/2012	Kong et al.	D26/71
D660,495 S *	5/2012	Walker et al.	D26/71
D664,697 S *	7/2012	Piano	D26/71
D666,347 S *	8/2012	Kim et al.	D26/71
2004/0196653 A1	10/2004	Clark et al.	
2009/0185374 A1	7/2009	Wu et al.	
2009/0310381 A1 *	12/2009	Chang et al.	362/373

* cited by examiner

Related U.S. Application Data

(63) Continuation-in-part of application No. 29/355,326, filed on Feb. 5, 2010, now Pat. No. Des. 636,106.

(51) **LOC (9) Cl.** **26-05**

(52) **U.S. Cl.** **D26/71**

(58) **Field of Classification Search** D26/67-71, D26/85, 92; 362/145, 183, 231, 240, 249.02, 362/249.03, 249.04, 249.06, 249.16, 373, 362/431, 432

See application file for complete search history.

Primary Examiner — Clare E Heflin

(74) *Attorney, Agent, or Firm* — Alan Kamrath; Kamrath IP Lawfirm, P.A.

(57) **CLAIM**

The ornamental design for an LED lamp, as shown and described.

DESCRIPTION

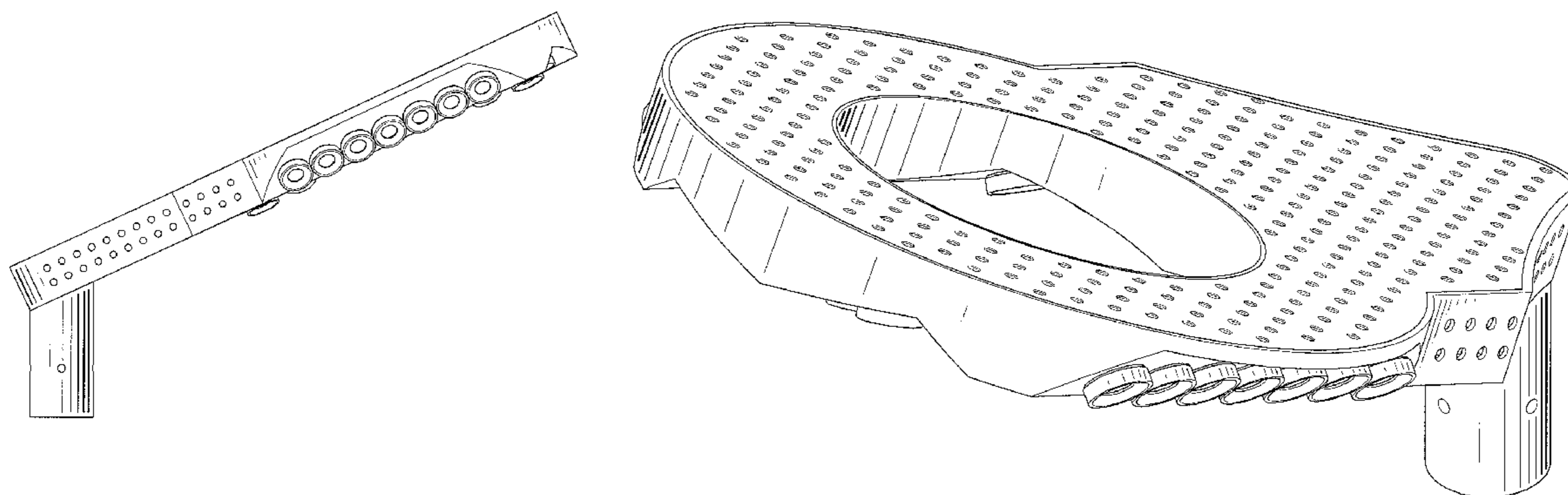
FIG. 1 is a perspective view of an LED lamp, showing our new design;
FIG. 2 is a front view thereof;
FIG. 3 is a rear view thereof;
FIG. 4 is a left view thereof;
FIG. 5 is a right view thereof;
FIG. 6 is a top view thereof;
FIG. 7 is a bottom view thereof; and,
FIG. 8 is another perspective view thereof.

1 Claim, 5 Drawing Sheets

(56) **References Cited**

U.S. PATENT DOCUMENTS

D99,661 S	5/1936	Gosling
D186,130 S	9/1959	Izzi et al.
D198,183 S	5/1964	Akely
D321,764 S	11/1991	Von Klier
D556,357 S	11/2007	Butler et al.
D573,743 S	7/2008	Yan et al.
D599,939 S	9/2009	Zheng et al.



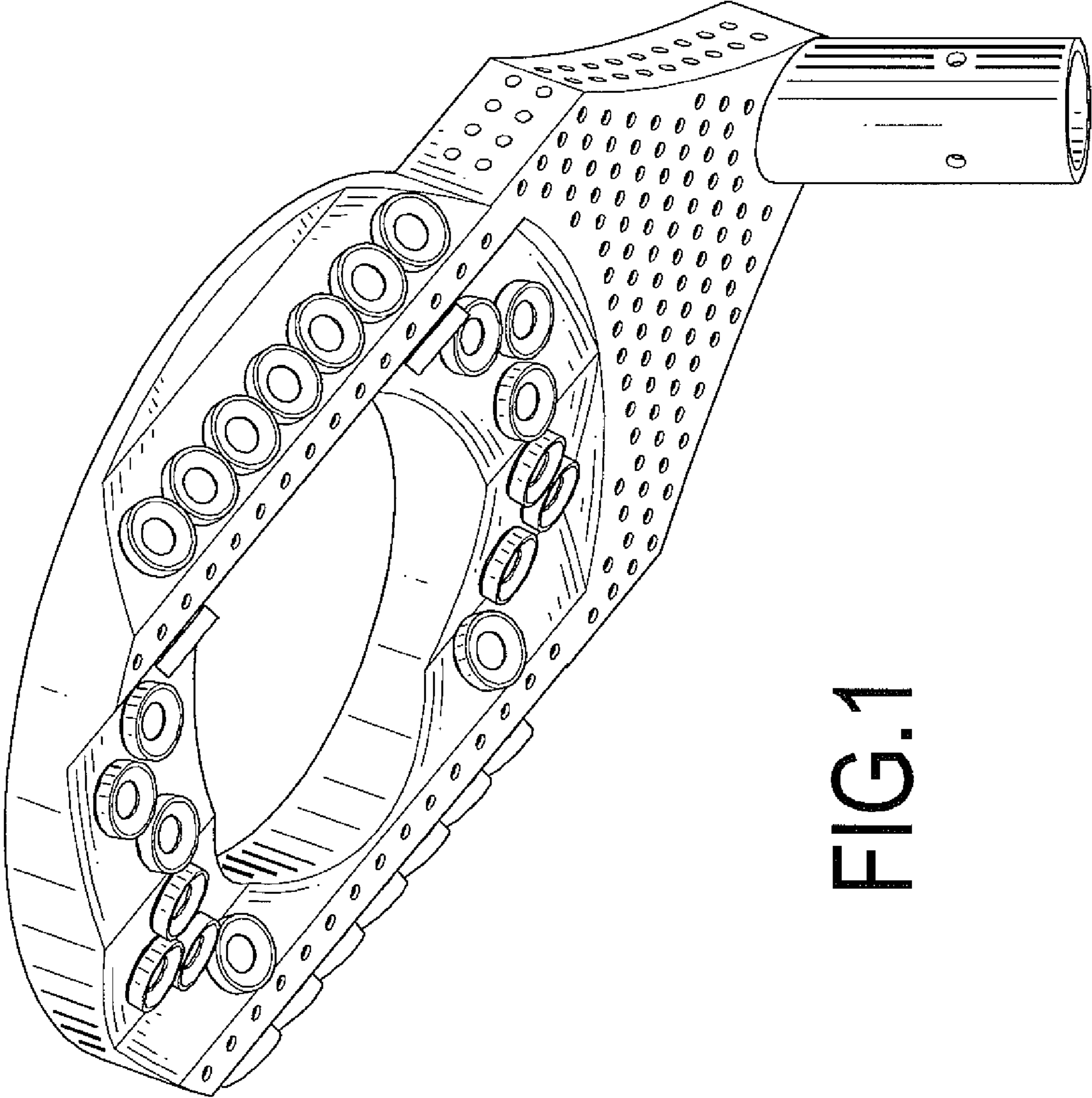


FIG.1

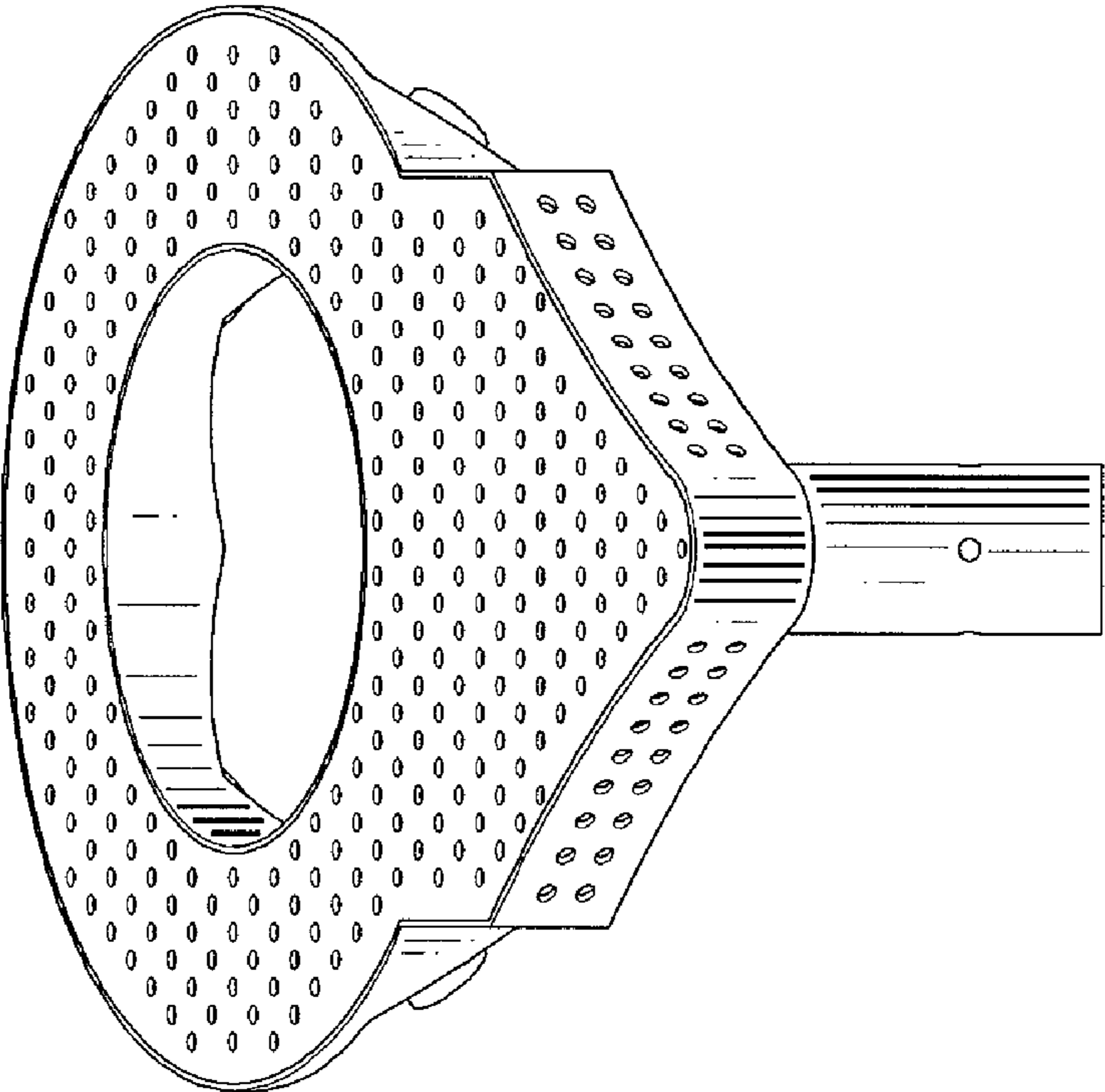


FIG.3

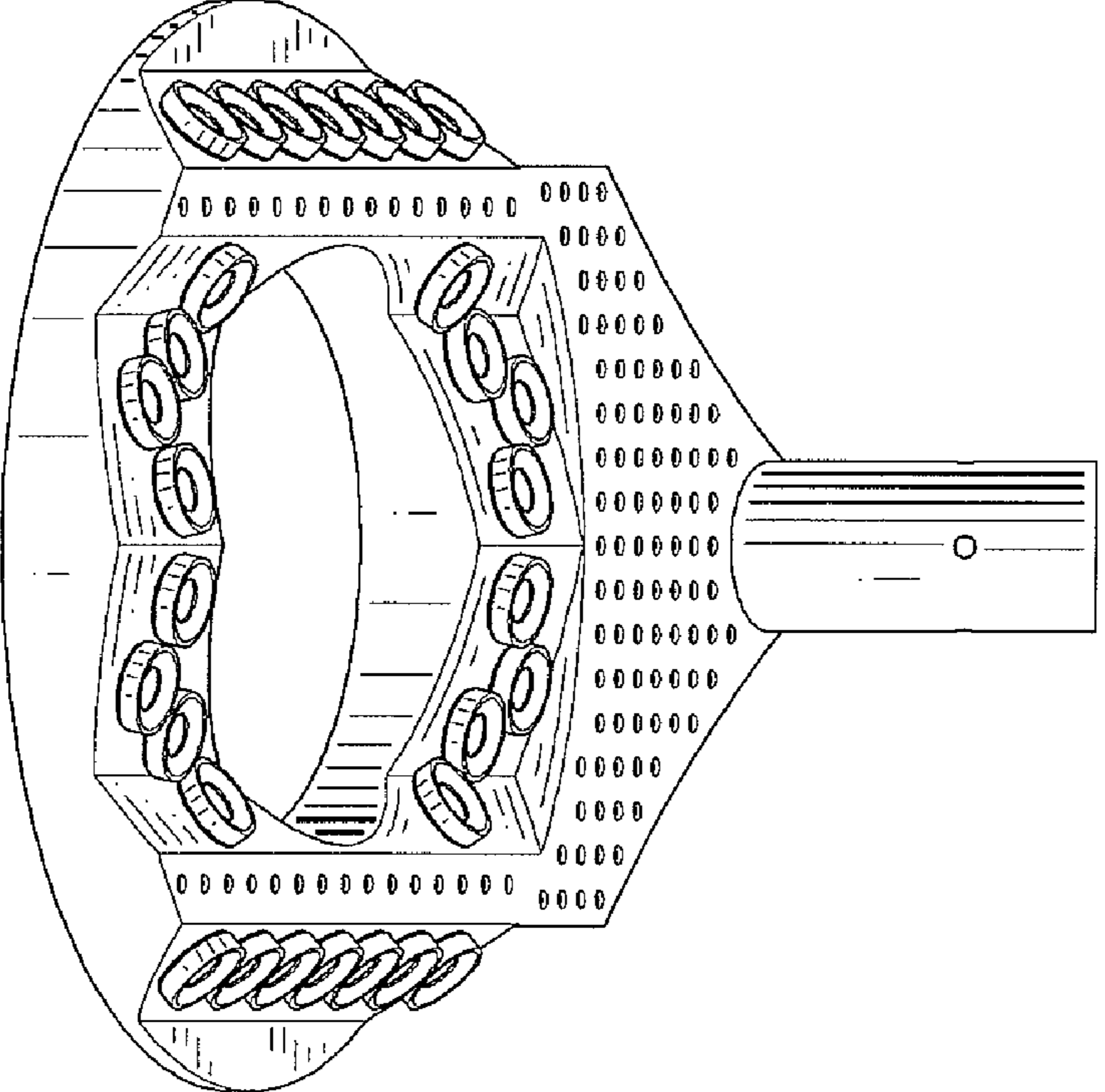


FIG.2

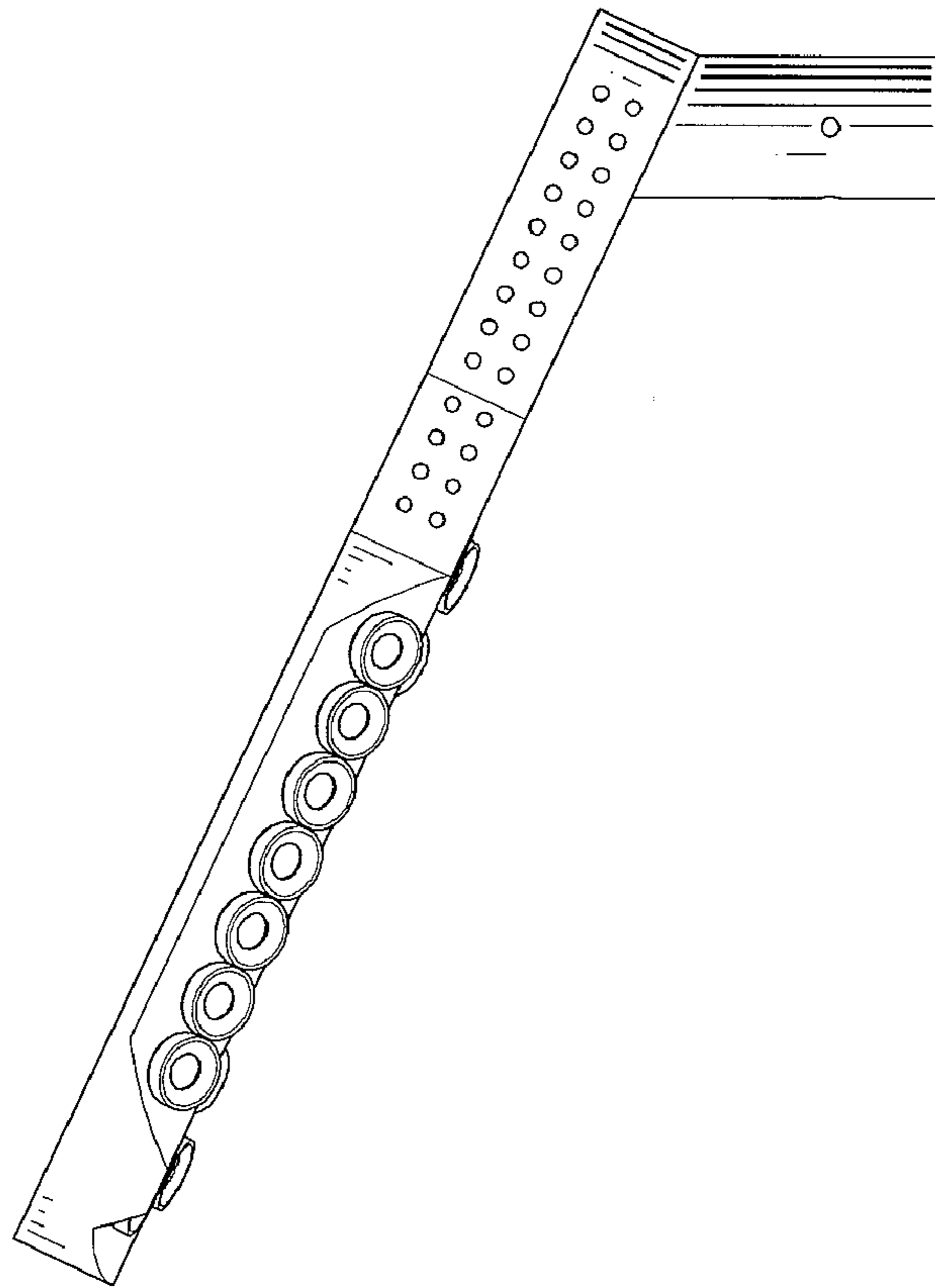


FIG.5

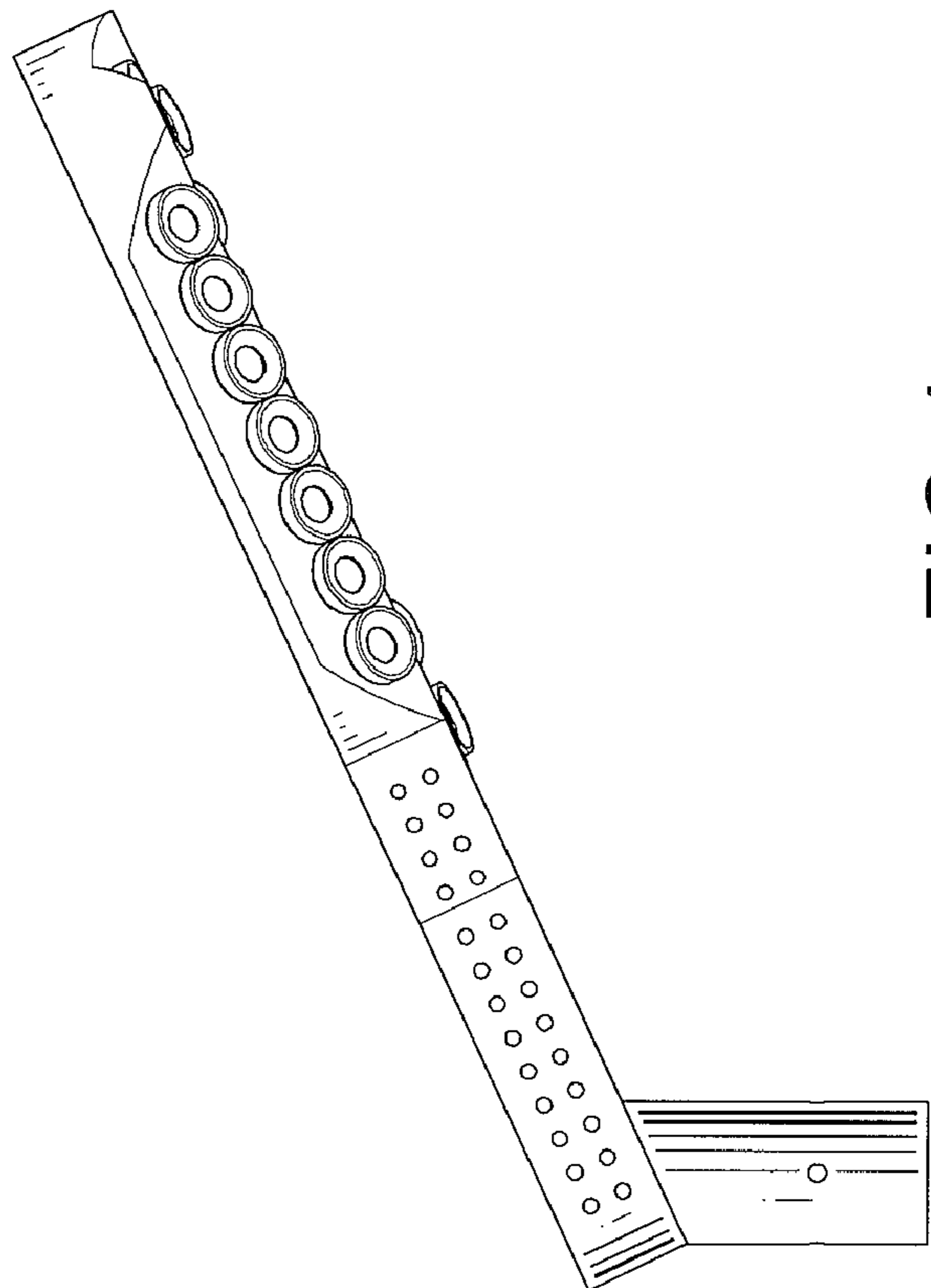


FIG.4

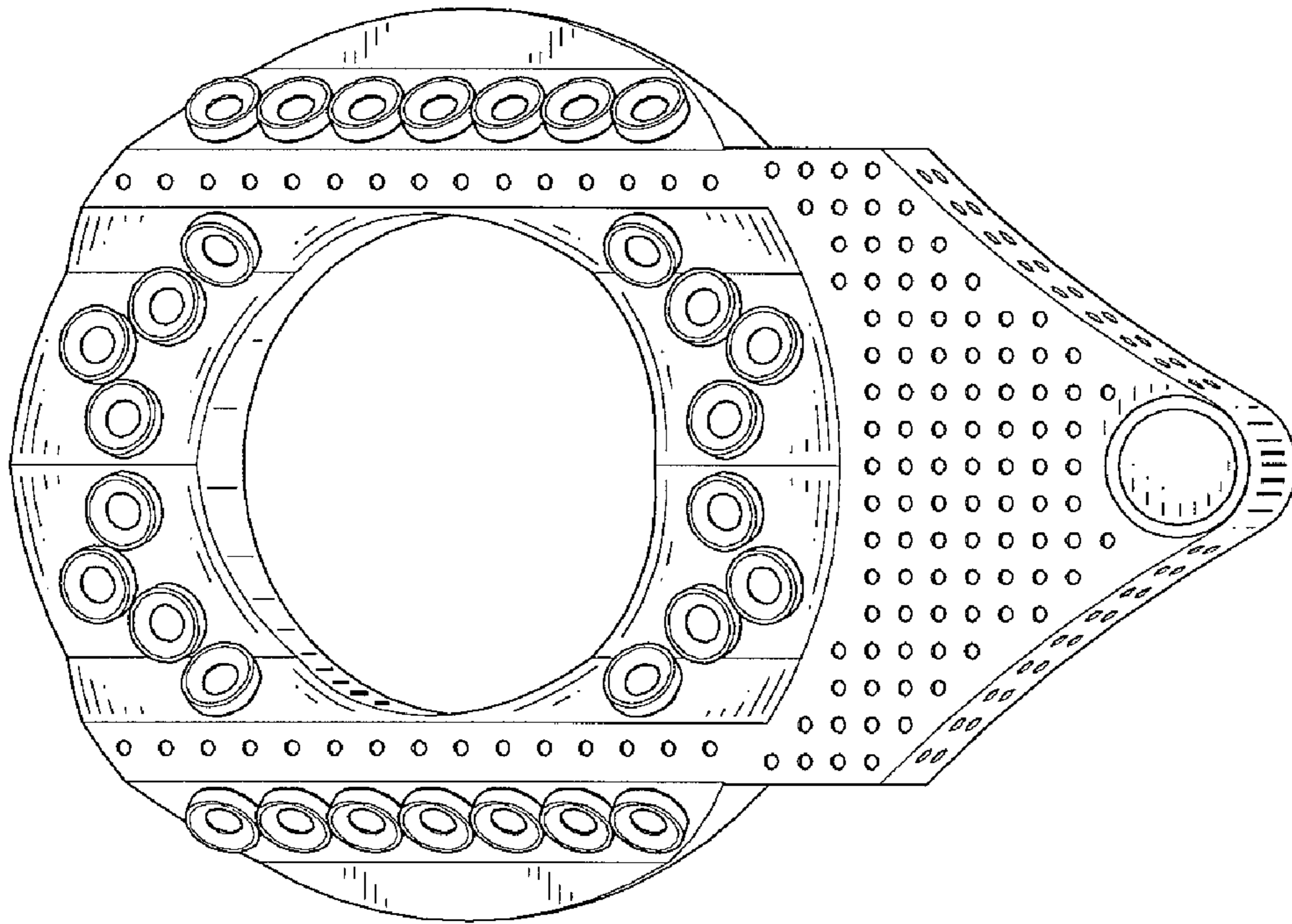


FIG. 7

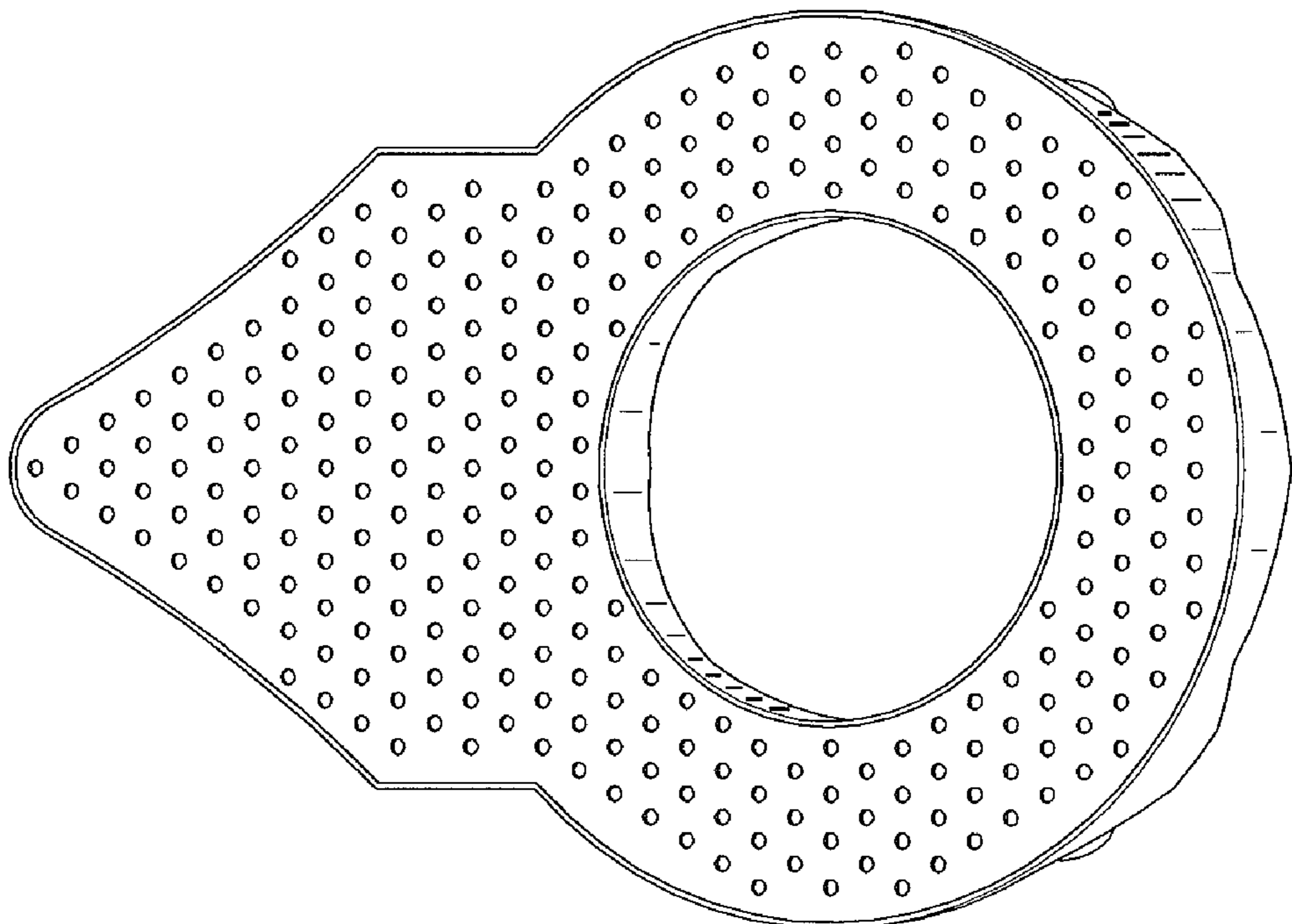


FIG. 6

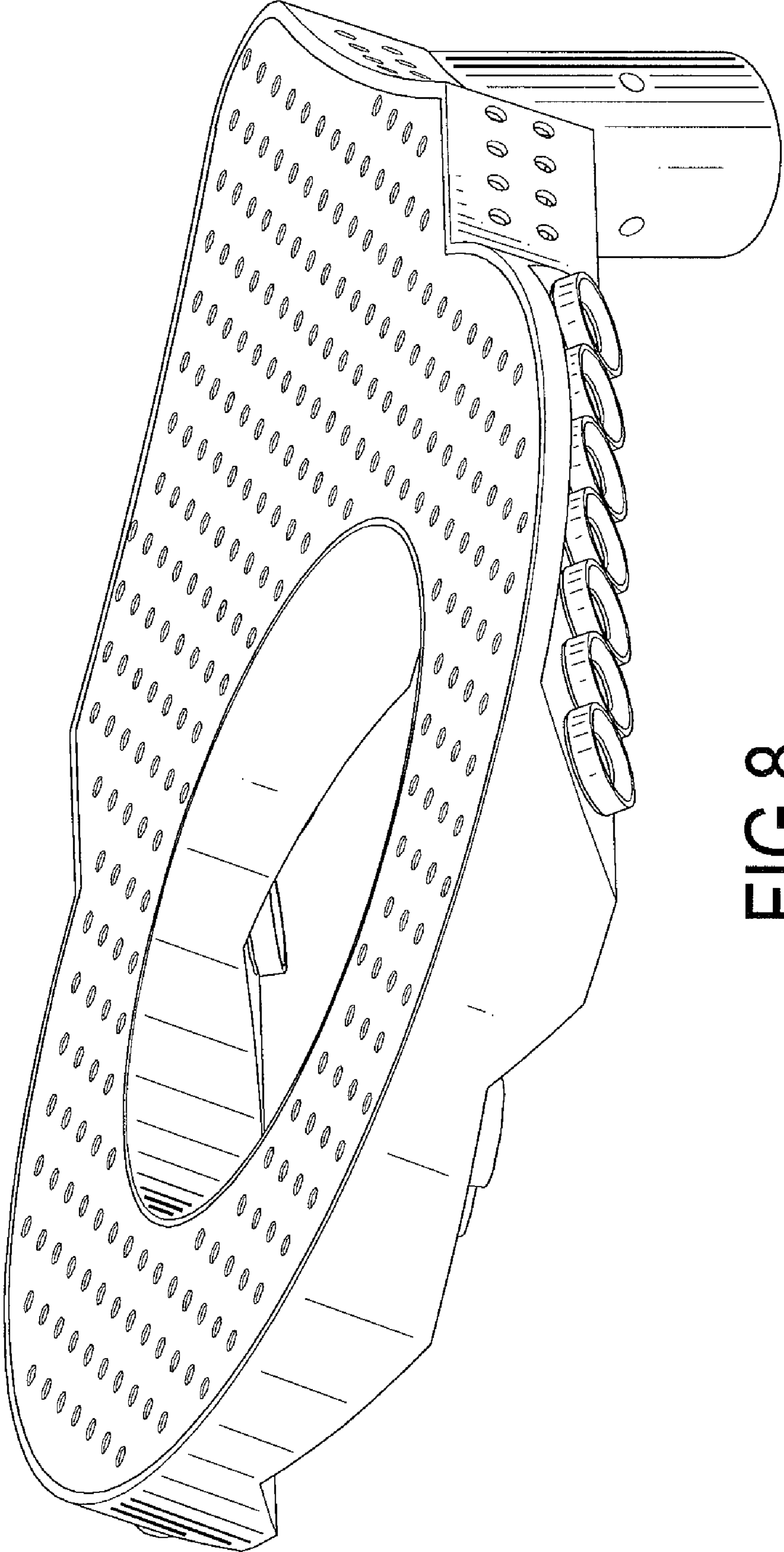


FIG. 8