



US00D678577S

(12) **United States Design Patent**  
**Chen**

(10) **Patent No.:** **US D678,577 S**  
(45) **Date of Patent:** **\*\* Mar. 19, 2013**

(54) **LIGHT FIXTURE**

(75) Inventor: **Chi Gon Chen**, Guang Zhou (CN)

(73) Assignee: **International Development LLC**,  
Roanoke, TX (US)

(\*\*) Term: **14 Years**

(21) Appl. No.: **29/423,656**

(22) Filed: **Jun. 4, 2012**

(51) **LOC (9) Cl.** ..... **26-05**

(52) **U.S. Cl.** ..... **D26/67**

(58) **Field of Classification Search** ..... D26/67,  
D26/68, 69, 70, 72, 85, 86, 89, 118, 128,  
D26/129; 362/147, 183, 431, 432, 362  
See application file for complete search history.

(56) **References Cited**

**U.S. PATENT DOCUMENTS**

|              |         |               |       |         |
|--------------|---------|---------------|-------|---------|
| D63,205 S *  | 10/1923 | Toensfeldt    | ..... | D26/24  |
| D229,713 S * | 12/1973 | Wince et al.  | ..... | D26/67  |
| D482,156 S * | 11/2003 | Kuelbs et al. | ..... | D26/113 |
| D505,509 S * | 5/2005  | Chen          | ..... | D26/67  |
| D505,743 S * | 5/2005  | Chen          | ..... | D26/67  |
| D512,176 S * | 11/2005 | Flores        | ..... | D26/128 |

|              |         |          |       |        |
|--------------|---------|----------|-------|--------|
| D600,391 S * | 9/2009  | Sabernig | ..... | D26/67 |
| D604,441 S * | 11/2009 | Chen     | ..... | D26/67 |
| D605,802 S * | 12/2009 | Chen     | ..... | D26/67 |
| D606,695 S * | 12/2009 | Chen     | ..... | D26/67 |
| D616,135 S * | 5/2010  | Chen     | ..... | D26/68 |
| D638,973 S * | 5/2011  | Chen     | ..... | D26/68 |
| D639,481 S * | 6/2011  | Chen     | ..... | D26/68 |

\* cited by examiner

*Primary Examiner* — Clare E Heflin

(74) *Attorney, Agent, or Firm* — Brian Harris

(57) **CLAIM**

The ornamental design for a light fixture, as shown and described.

**DESCRIPTION**

FIG. 1 is a perspective view of a light fixture showing my new design;

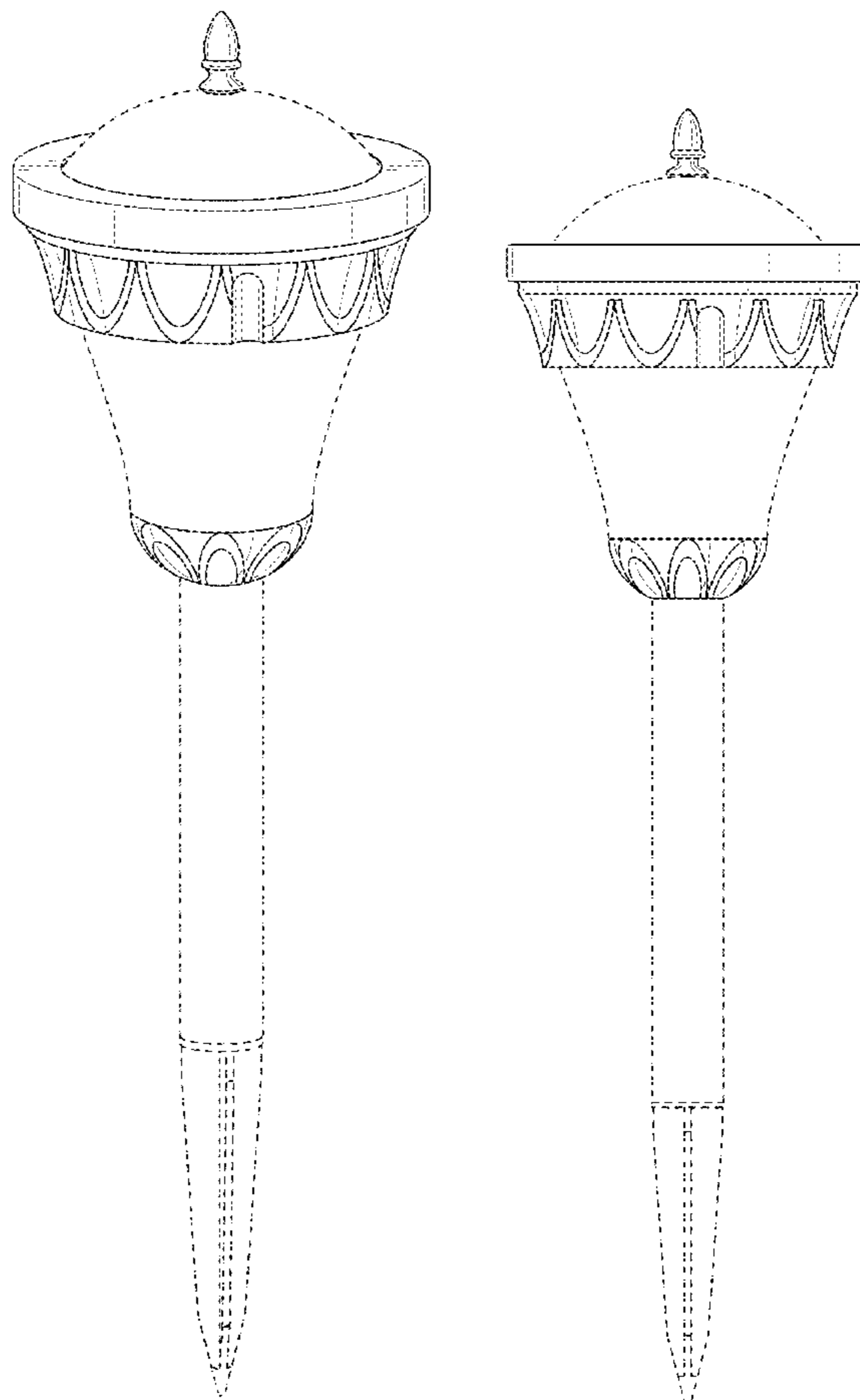
FIG. 2 is a front view thereof, the right side, left side, and back views being identical thereto;

FIG. 3 is a top view thereof; and,

FIG. 4 is a bottom view thereof.

The broken lines are shown in the views for illustrative purposes only and form no part of the claimed design.

**1 Claim, 3 Drawing Sheets**



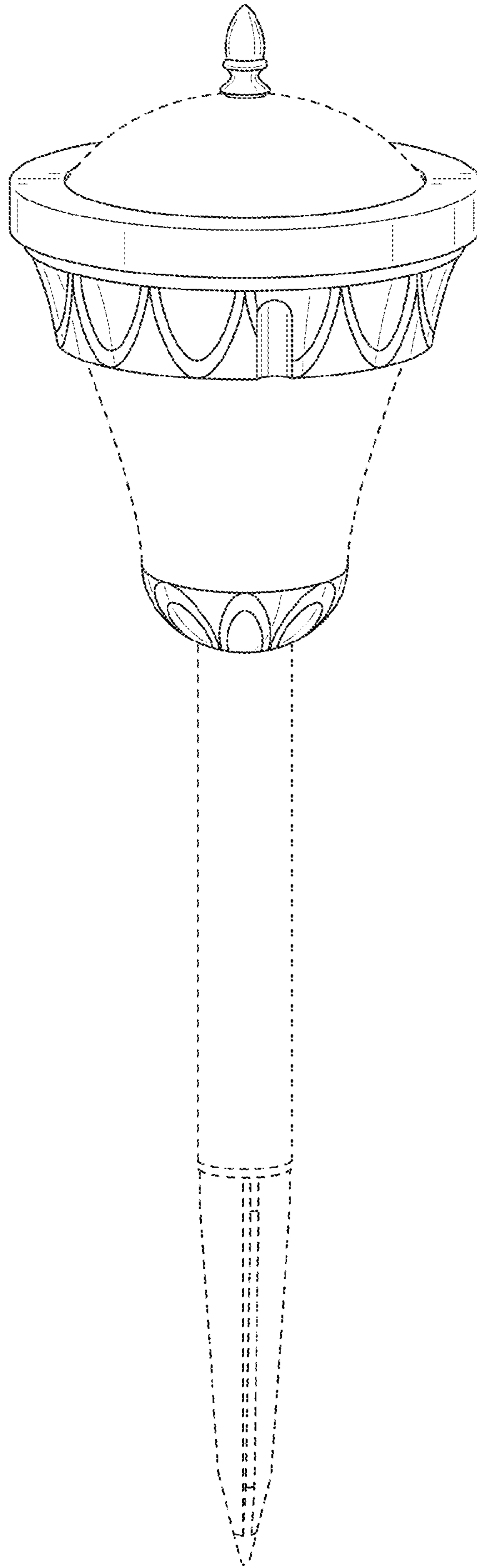


FIG. 1

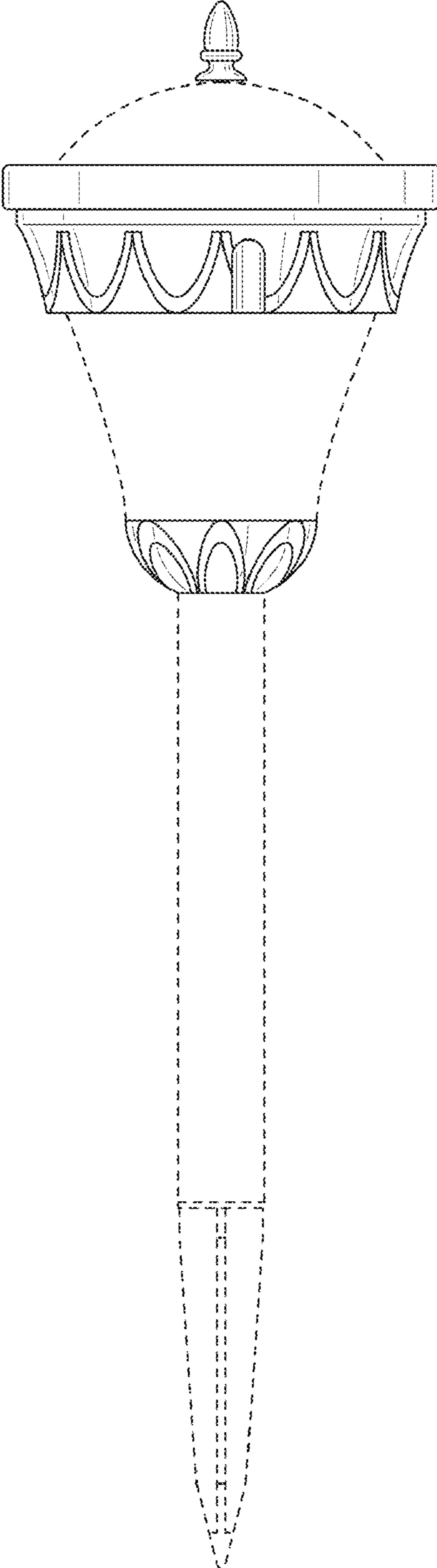


FIG. 2

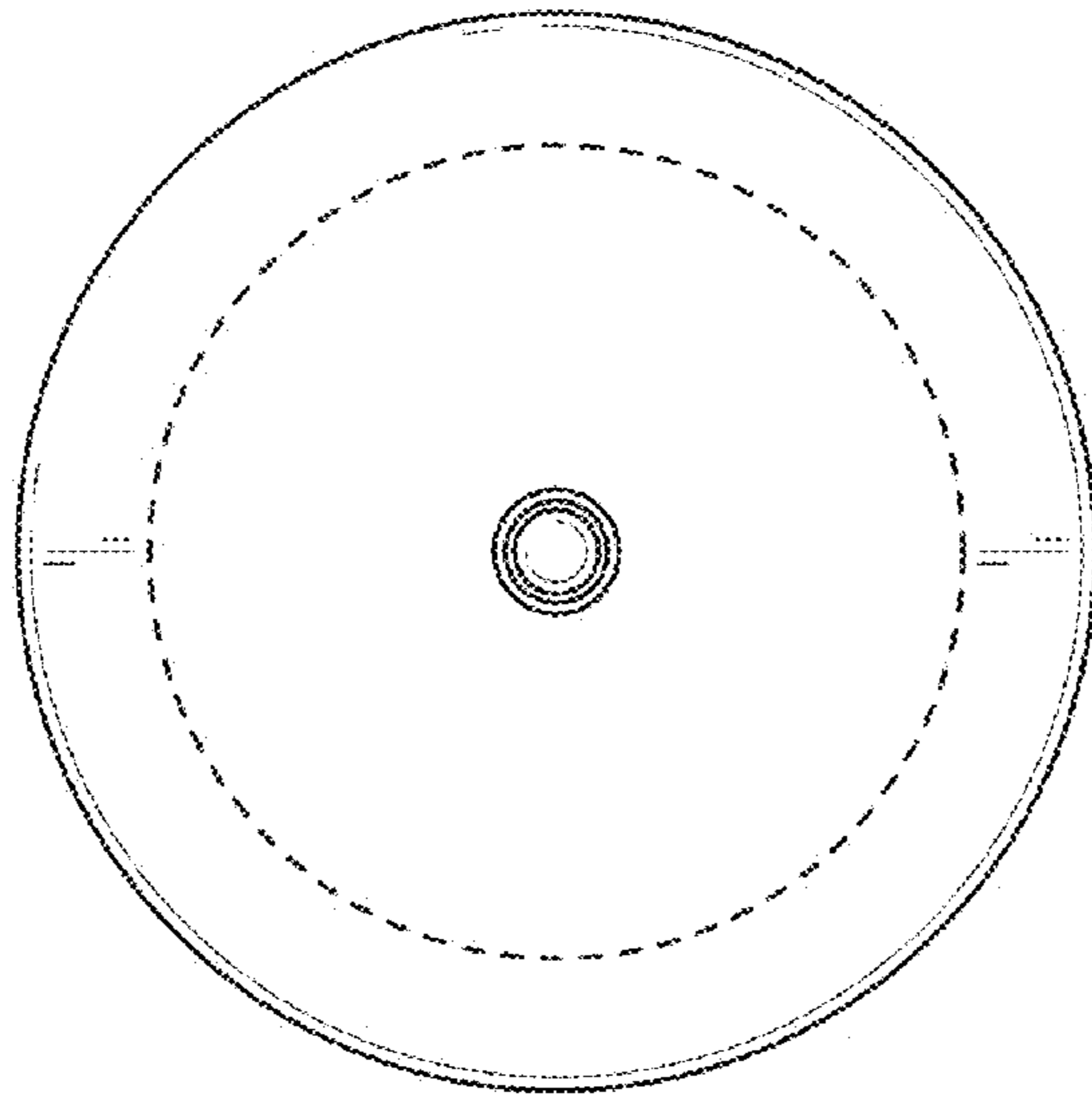


FIG. 3

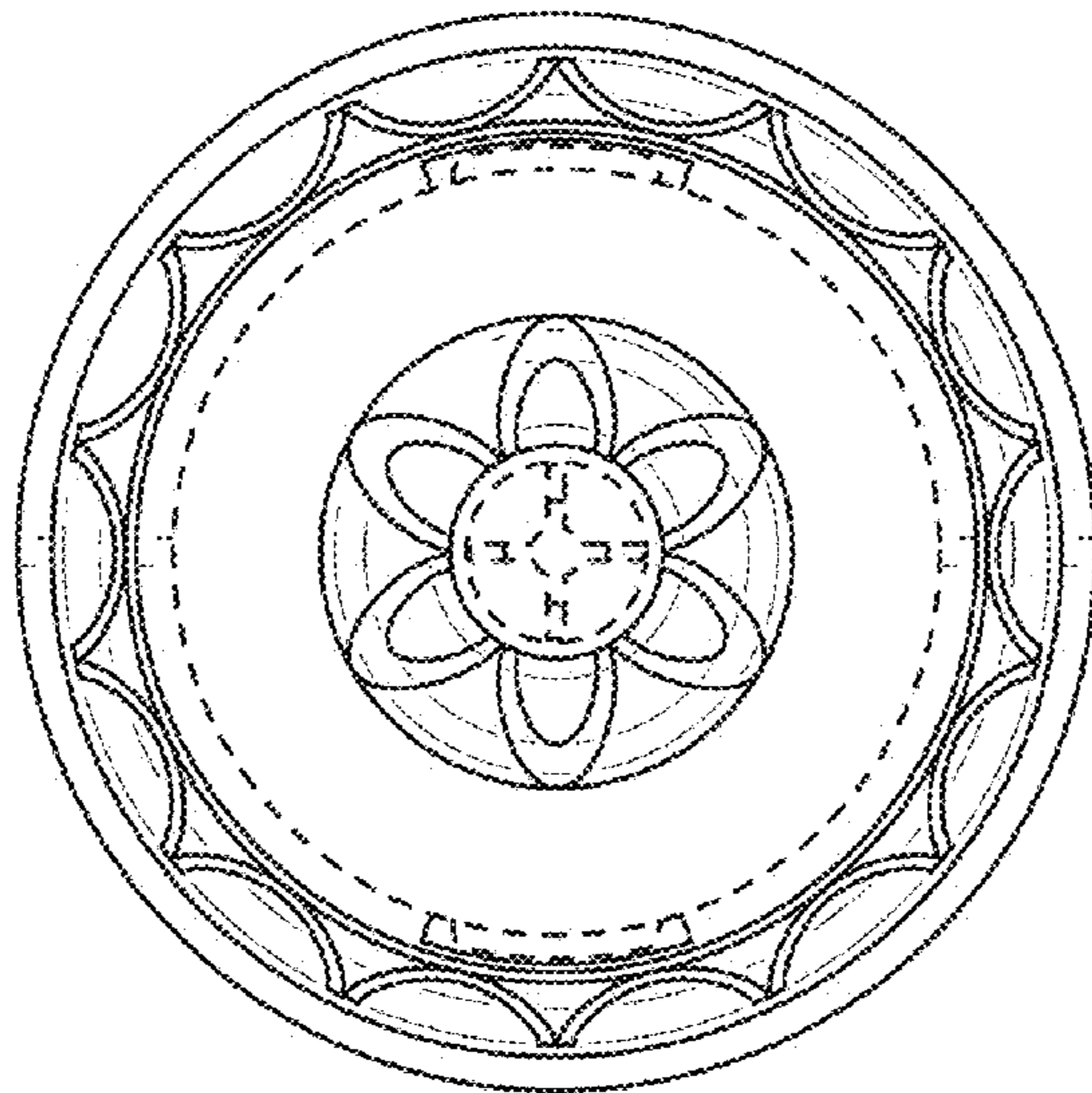


FIG. 4