



US00D678573S

(12) **United States Design Patent**
Lane

(10) **Patent No.:** **US D678,573 S**
(45) **Date of Patent:** **** Mar. 19, 2013**

(54) **SOLAR POWERED BASKETBALL RIM ILLUMINATOR**

(76) Inventor: **Andrew Richard Lane**, Weedsport, NY (US)

(**) Term: **14 Years**

(21) Appl. No.: **29/374,488**

(22) Filed: **Aug. 23, 2011**

(51) **LOC (9) Cl.** **26-05**

(52) **U.S. Cl.** **D26/60**

(58) **Field of Classification Search** D26/60, D26/51, 72, 67, 68, 88, 118; 362/253, 396, 362/159, 157, 431, 630, 632, 604, 191, 812, 362/183, 158, 341, 147, 358, 306, 432, 365, 362/368, 98, 99, 188, 190, 640; D21/697, D21/781, 698; 446/175, 489, 219; 473/479; 40/452, 451, 540, 541, 546, 549, 553, 559, 40/561

See application file for complete search history.

(56) **References Cited**

U.S. PATENT DOCUMENTS

5,148,356	A *	9/1992	Freese et al.	362/130
D336,351	S *	6/1993	Freese et al.	D26/60
5,305,998	A *	4/1994	Nesbit et al.	473/481
D378,143	S *	2/1997	Kollins	D26/67
D379,545	S *	5/1997	Houghton et al.	D26/67

D465,593	S *	11/2002	Chang	D26/72
6,497,495	B1 *	12/2002	Janz	362/194
D473,603	S *	4/2003	Washington et al.	D21/702
D505,742	S *	5/2005	Munoz	D26/60
D551,375	S *	9/2007	Nunes	D26/73
7,534,027	B2 *	5/2009	Ichikawa	362/609
D616,137	S *	5/2010	Bucher et al.	D26/72
7,748,863	B1 *	7/2010	Holman et al.	362/183
7,758,456	B1 *	7/2010	Dykes	473/479

* cited by examiner

Primary Examiner — Susan M Lee

Assistant Examiner — Linda G. Brooks

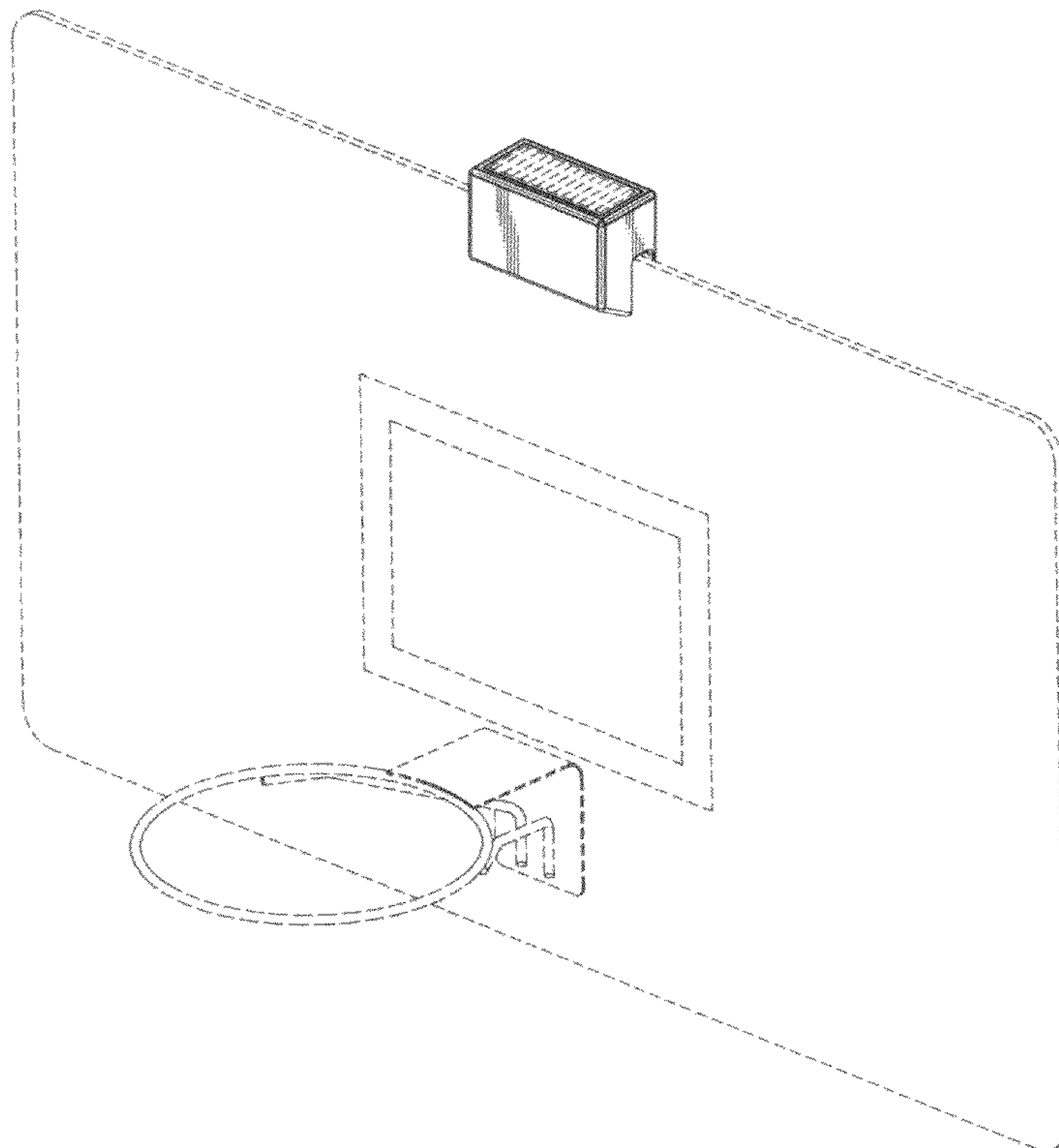
(57) **CLAIM**

I claim the ornamental design for a solar powered basketball rim illuminator, as shown and described.

DESCRIPTION

FIG. 1 is a front elevation view.
 FIG. 2 is a top plan view.
 FIG. 3 is a left side elevation view.
 FIG. 4 is a right side elevation view.
 FIG. 5 is a bottom plan view.
 FIG. 6 is a right side, top perspective view.
 FIG. 7 is a left side, top perspective view.
 FIG. 8 is a left side, bottom perspective view.
 FIG. 9 is a right side, bottom perspective view; and
 FIG. 10 is a left side perspective view.
 The broken lines in FIG. 2, FIG. 6, FIG. 7, and FIG. 10, form no part of the claimed design.

1 Claim, 10 Drawing Sheets



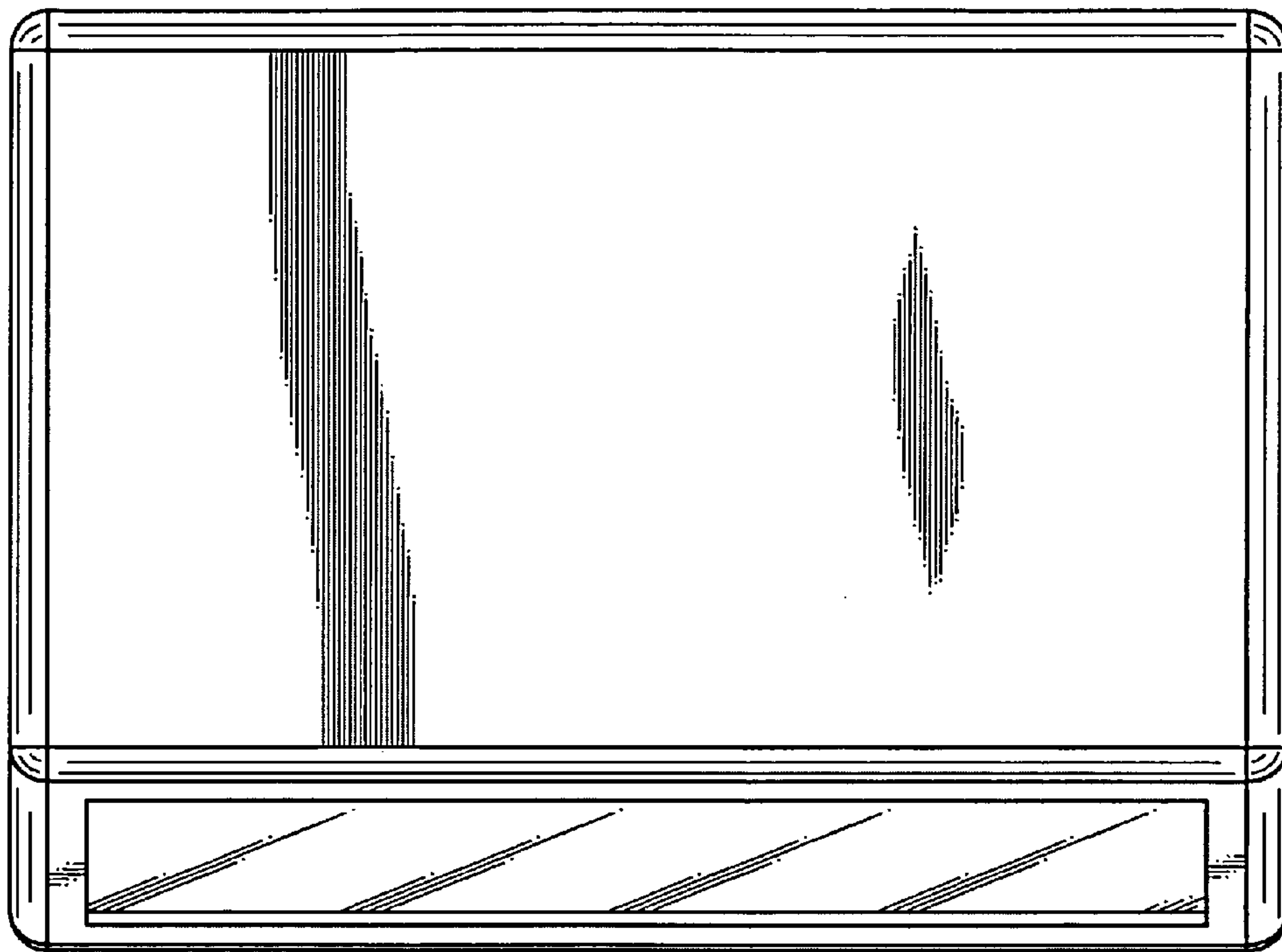


FIG. 1

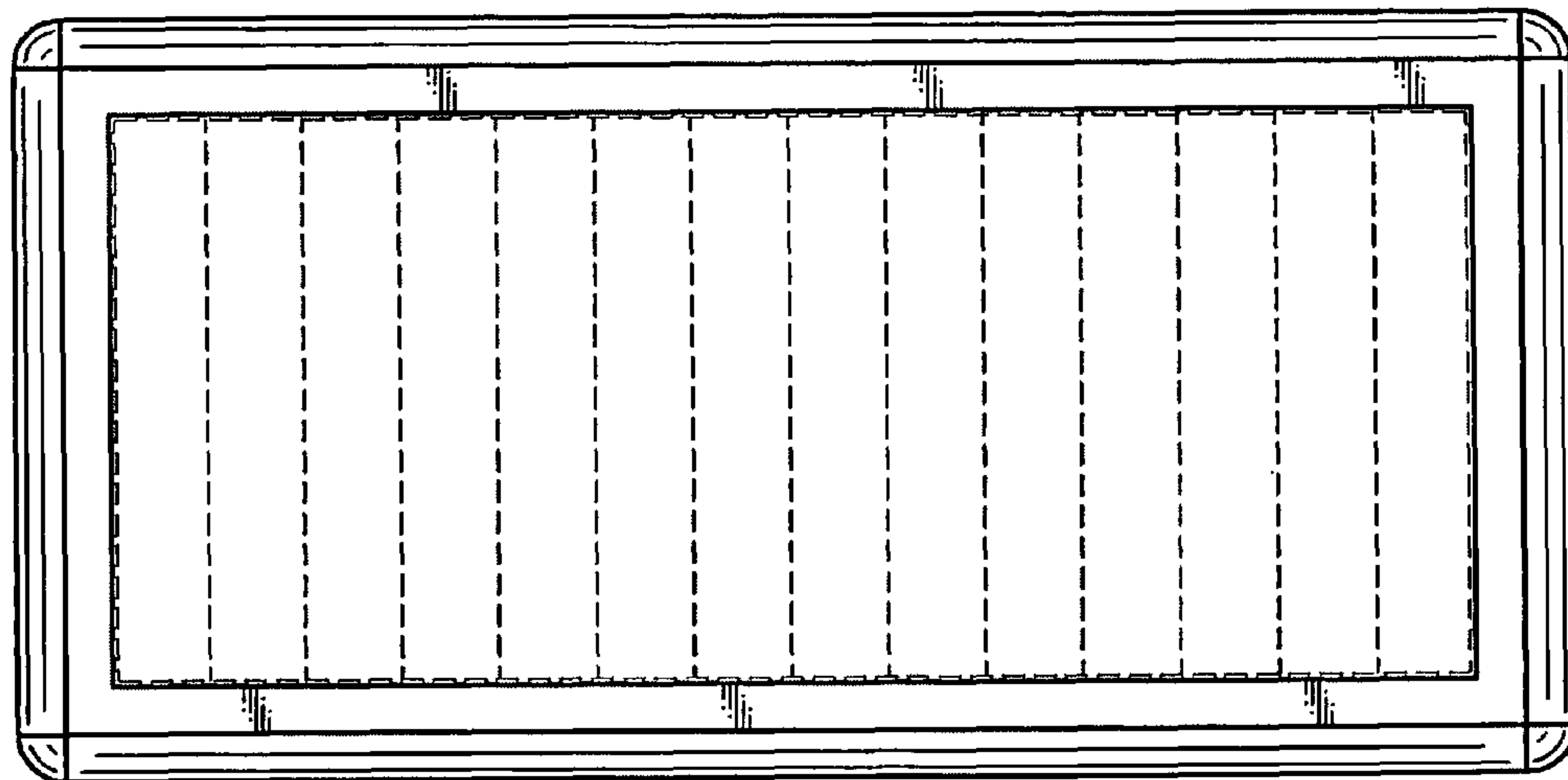


FIG. 2

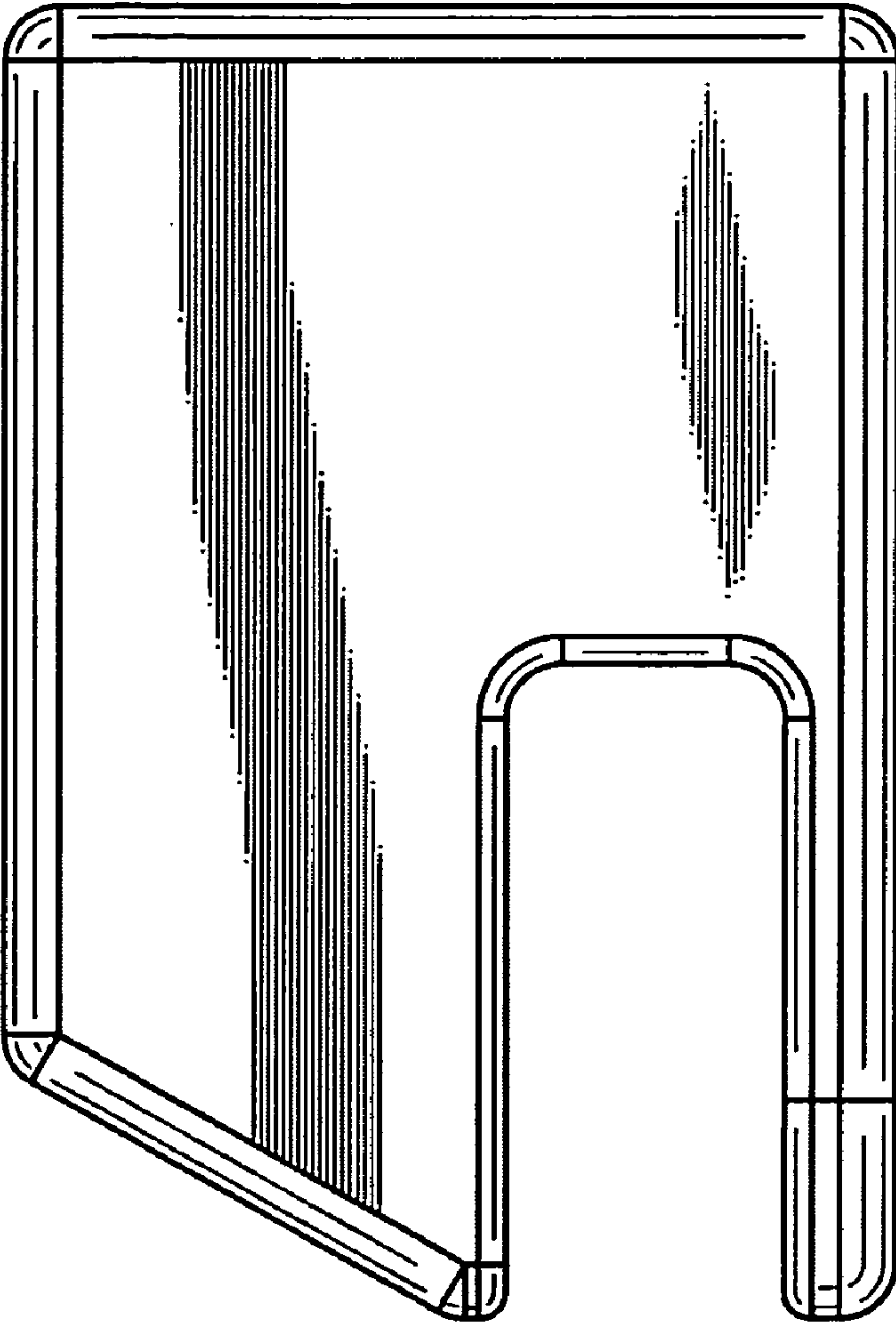


FIG. 3

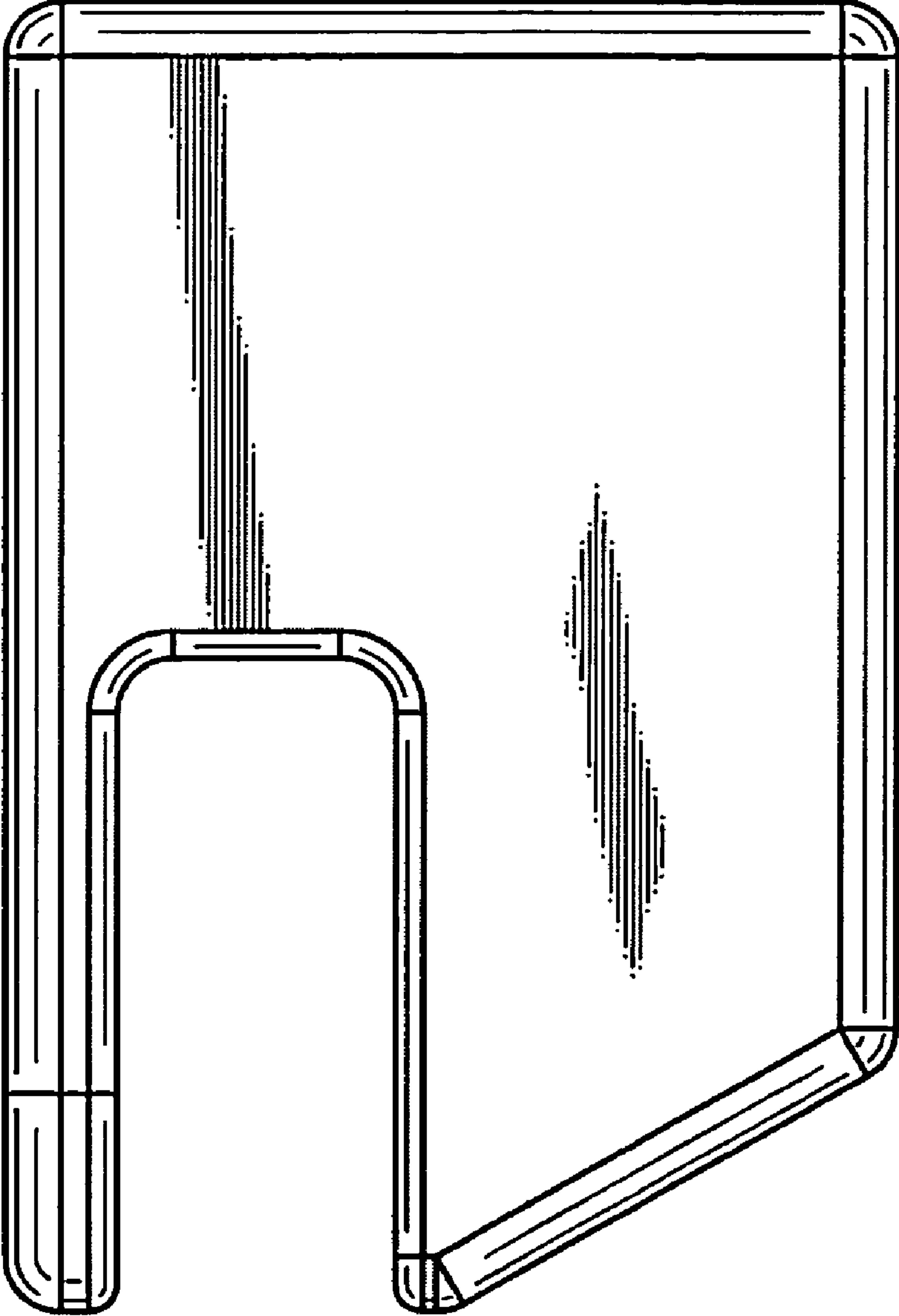


FIG. 4

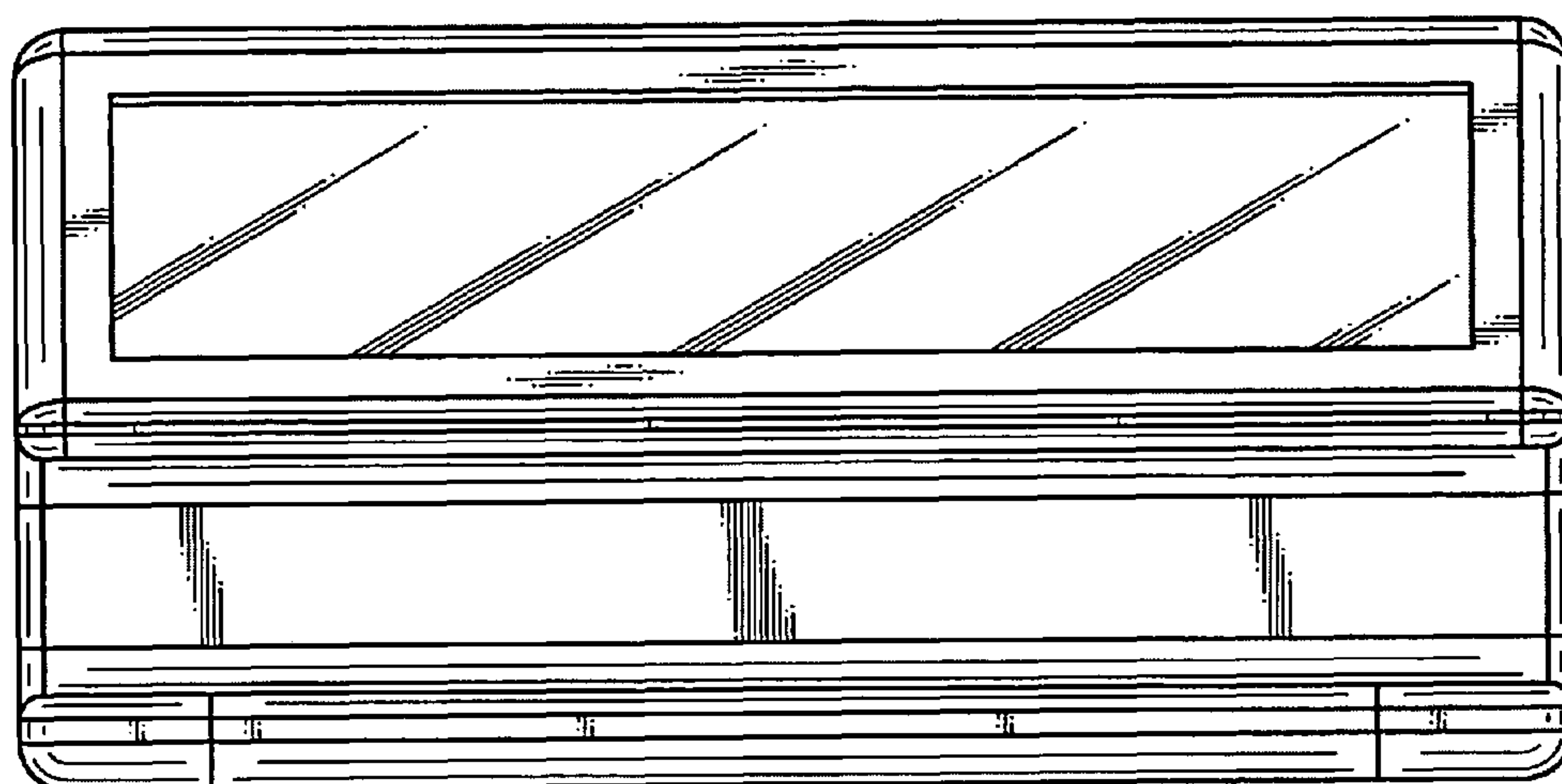


FIG. 5

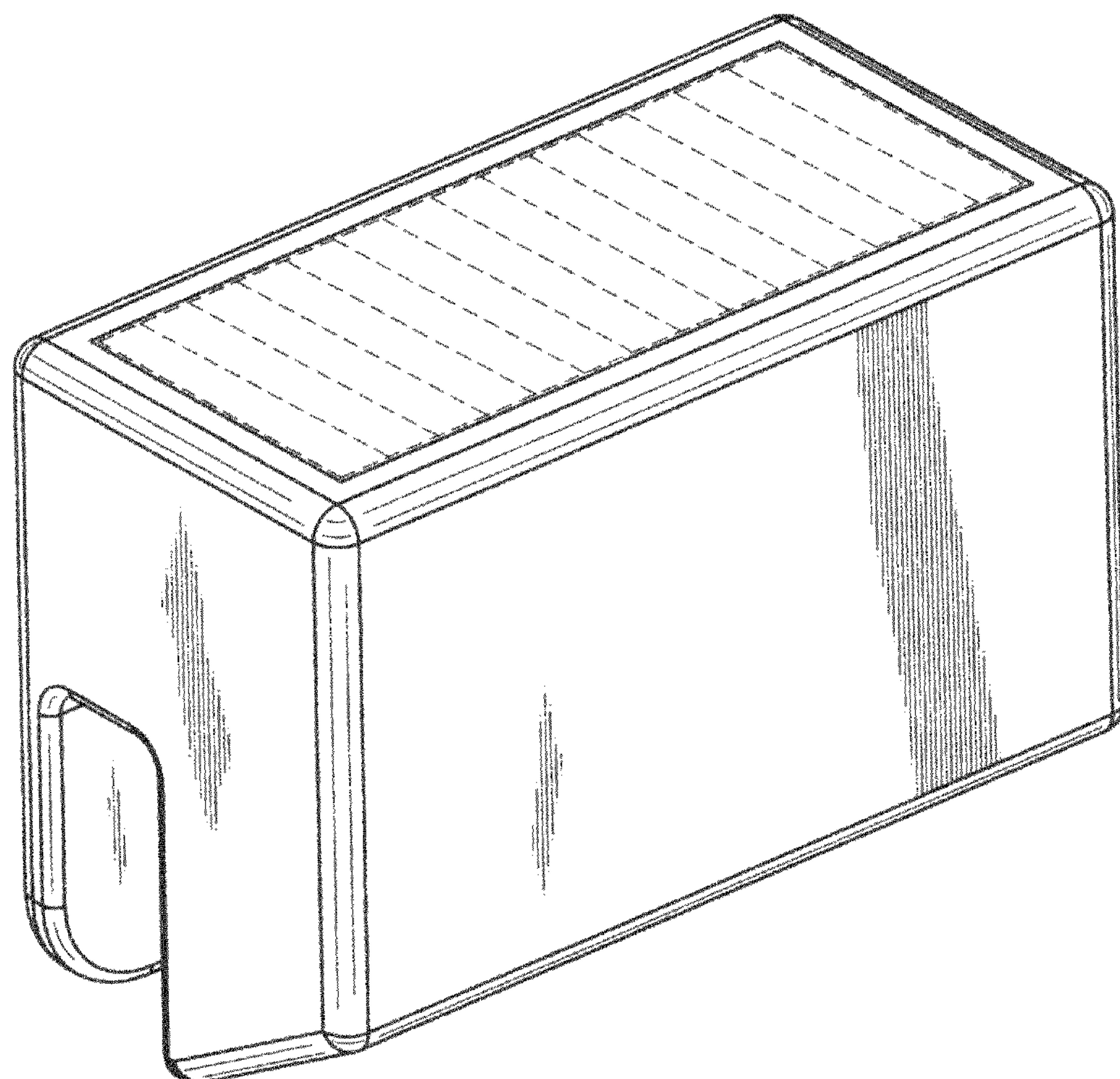


FIG. 6

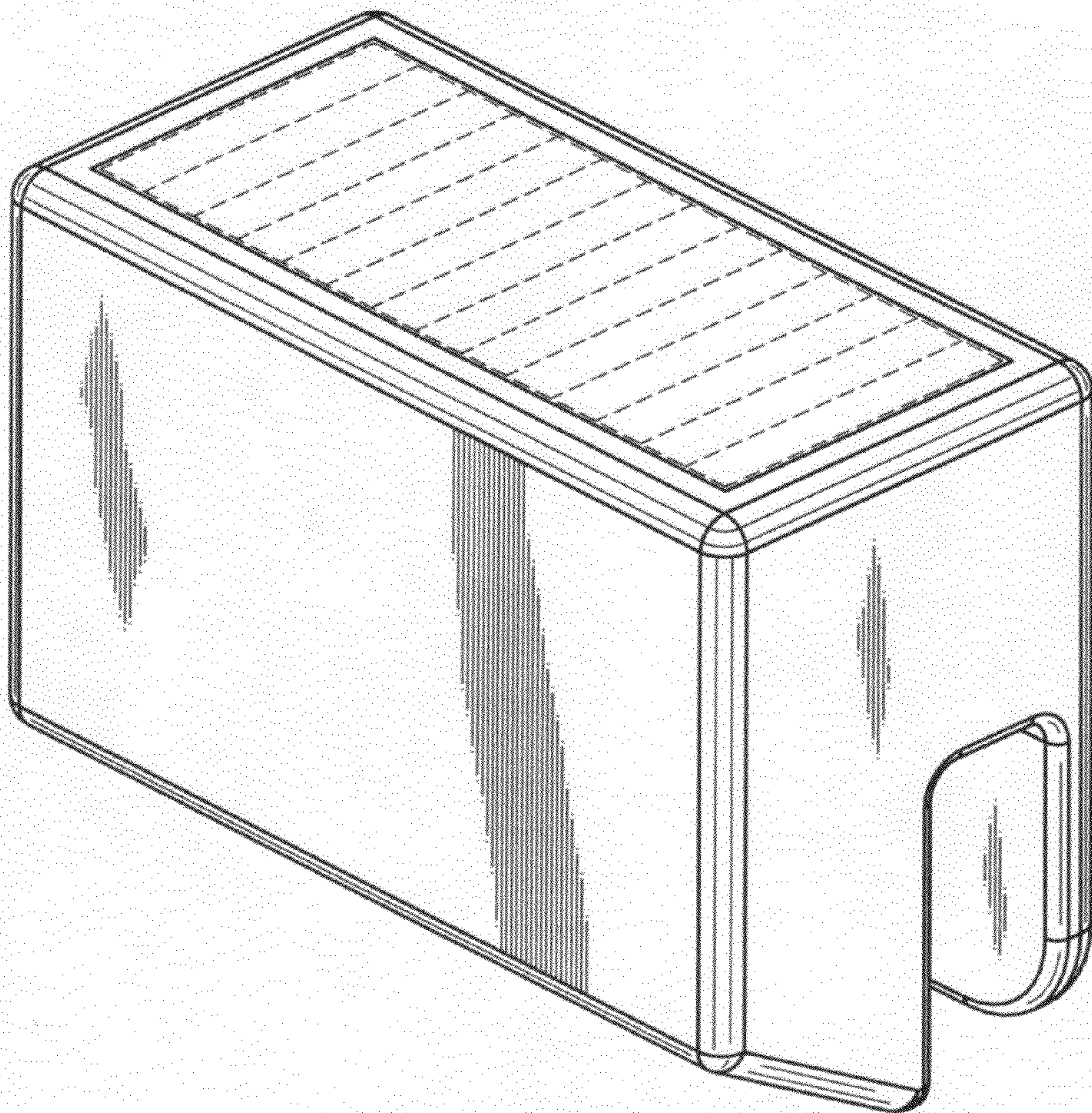


FIG. 7

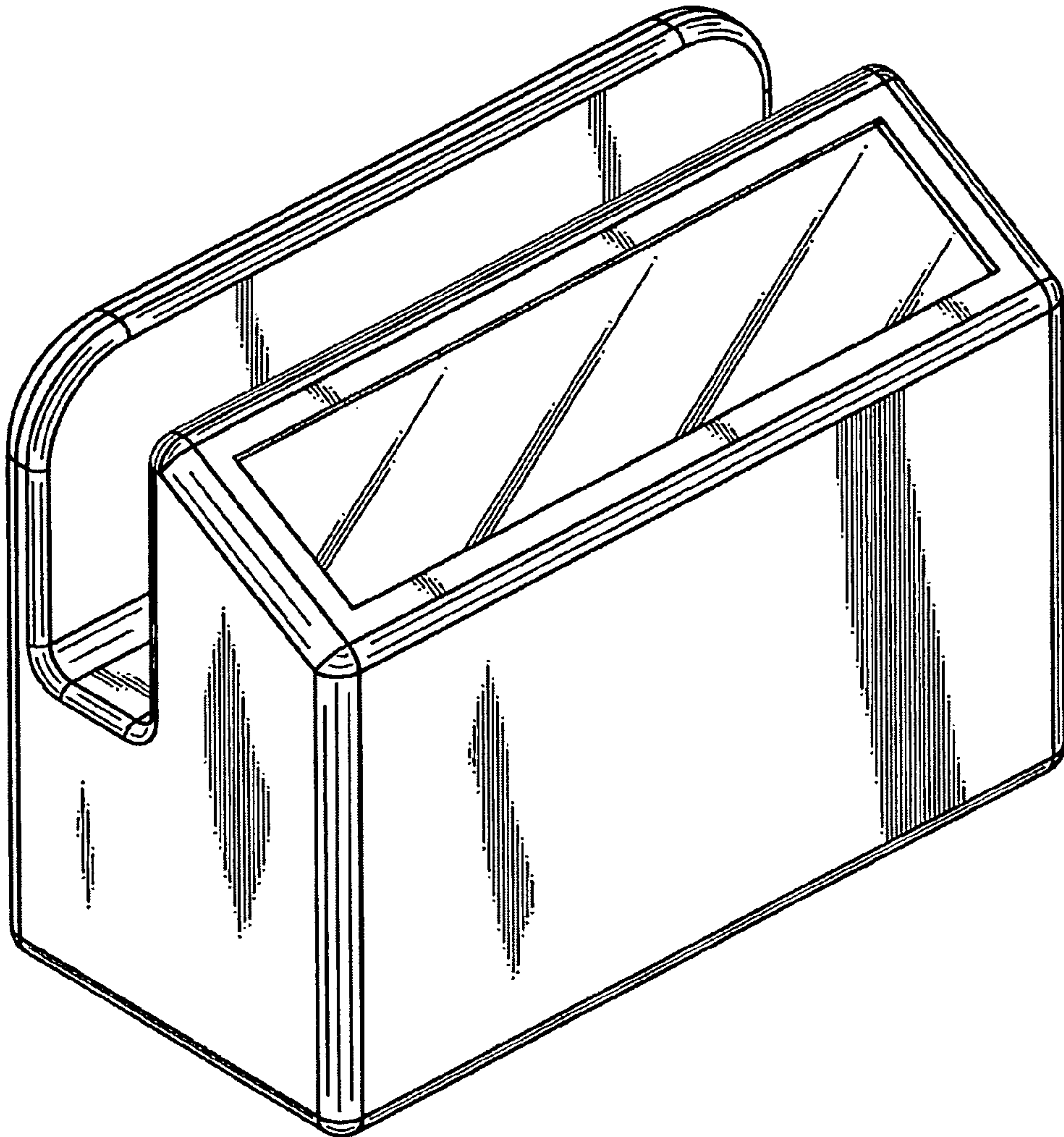


FIG. 8

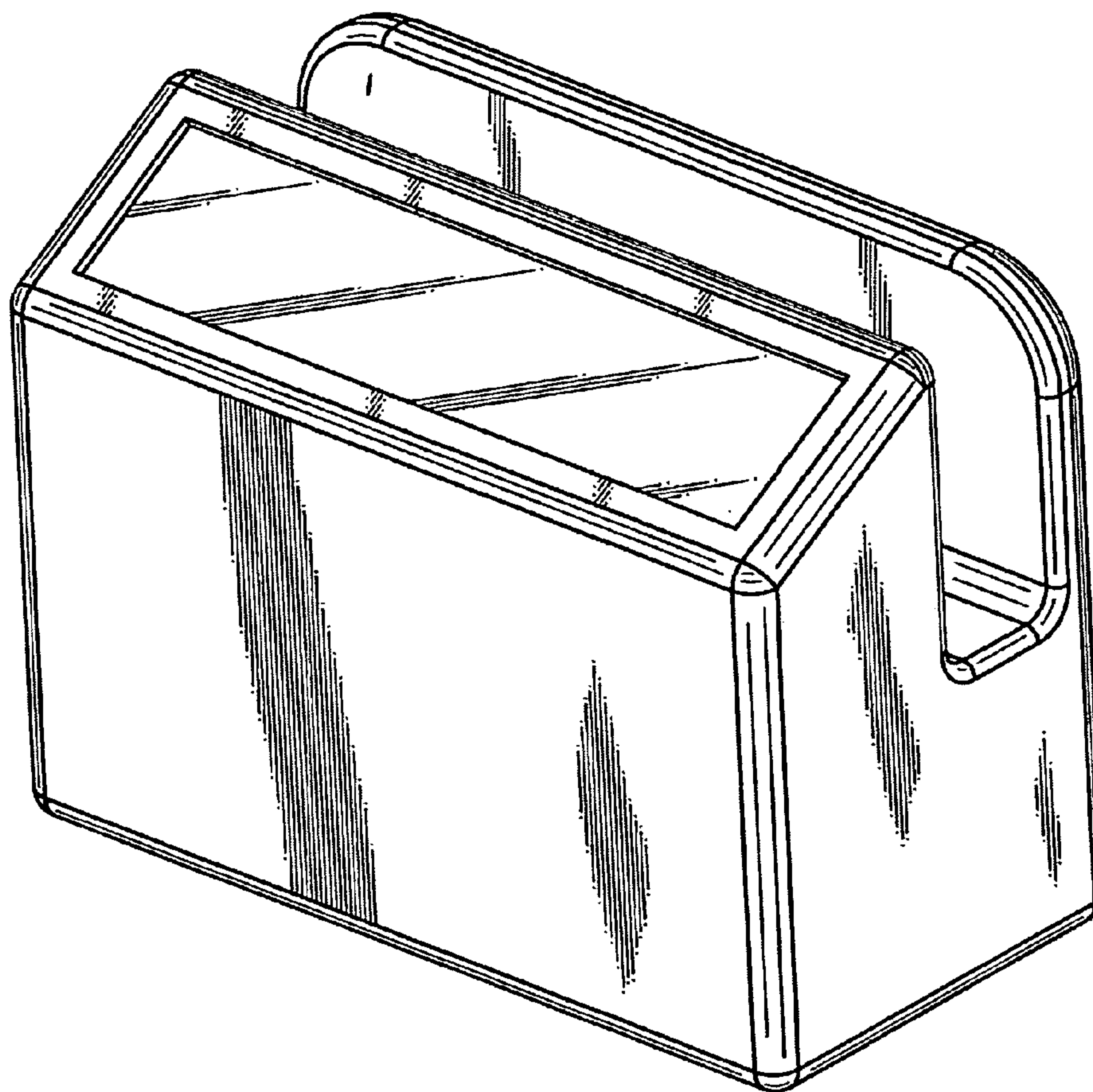


FIG. 9

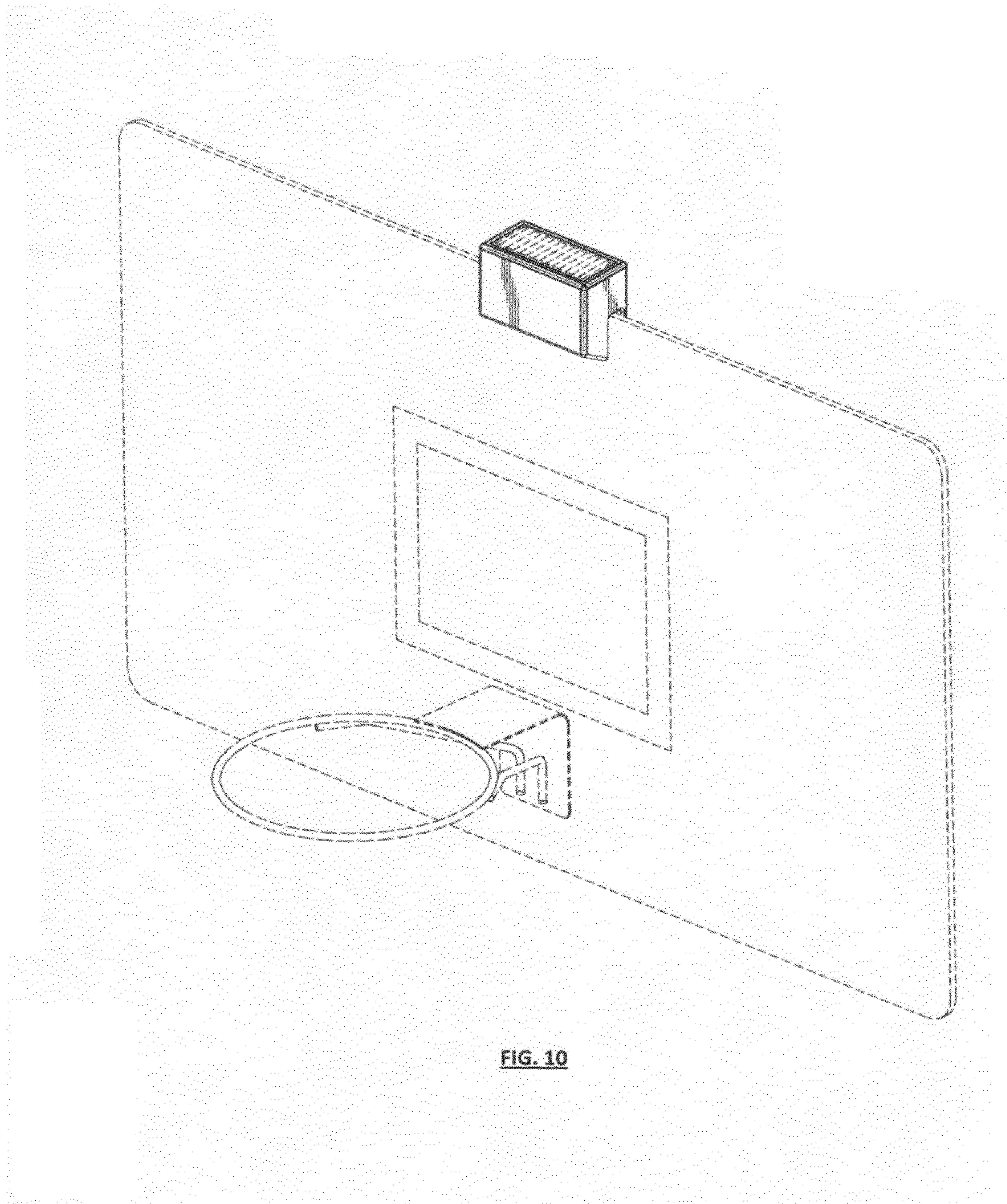


FIG. 10