



US00D678572S

(12) **United States Design Patent**
Zhang

(10) **Patent No.:** **US D678,572 S**
(45) **Date of Patent:** **** Mar. 19, 2013**

(54) **FLASHLIGHT**

(75) Inventor: **Zhi Liang Zhang**, Arcadia, CA (US)

(73) Assignee: **Lucent Ace Mfg. Inc.**, City of Industry, CA (US)

(**) Term: **14 Years**

(21) Appl. No.: **29/396,211**

(22) Filed: **Jun. 27, 2011**

(51) **LOC (9) Cl.** **26-02**

(52) **U.S. Cl.** **D26/49**

(58) **Field of Classification Search** D26/37,
D26/38, 49, 46; 362/157, 158, 184, 194-196,
362/202-208

See application file for complete search history.

(56) **References Cited**

U.S. PATENT DOCUMENTS

D514,725 S *	2/2006	Shiu	D26/49
D518,583 S *	4/2006	Vickers et al.	D26/37
D521,666 S *	5/2006	Chean	D26/37
D524,468 S *	7/2006	Chean	D26/37
D554,786 S *	11/2007	Rugendyke et al.	D26/49
D606,222 S *	12/2009	Gebhard	D26/49
D617,482 S	6/2010	Garcia et al.		
D624,677 S	9/2010	Deguglimo et al.		
D629,542 S	12/2010	Robinson		
D629,543 S	12/2010	Deguglimo et al.		
D629,544 S	12/2010	Deguglimo et al.		
D629,545 S	12/2010	Deguglimo et al.		

D629,546 S	12/2010	Deguglimo et al.		
D629,941 S	12/2010	Robinson et al.		
D630,356 S	1/2011	Robinson et al.		
D630,784 S	1/2011	Robinson et al.		
D648,467 S *	11/2011	Nguyen et al.	D26/46
D649,670 S *	11/2011	Robinson	D26/49
D655,027 S *	2/2012	Milz et al.	D26/49

OTHER PUBLICATIONS

Coast (TM) "Focusing LED Flashlight," product packaging, May 19, 2011.

* cited by examiner

Primary Examiner — Ian Simmons

Assistant Examiner — Carissa C Fitts

(74) *Attorney, Agent, or Firm* — Michael Fedrick; Loza & Loza, LLP

(57) **CLAIM**

The ornamental design for a flashlight, as shown and described.

DESCRIPTION

FIG. 1 is a perspective view of the flashlight of the present invention;

FIG. 2 is a side view thereof;

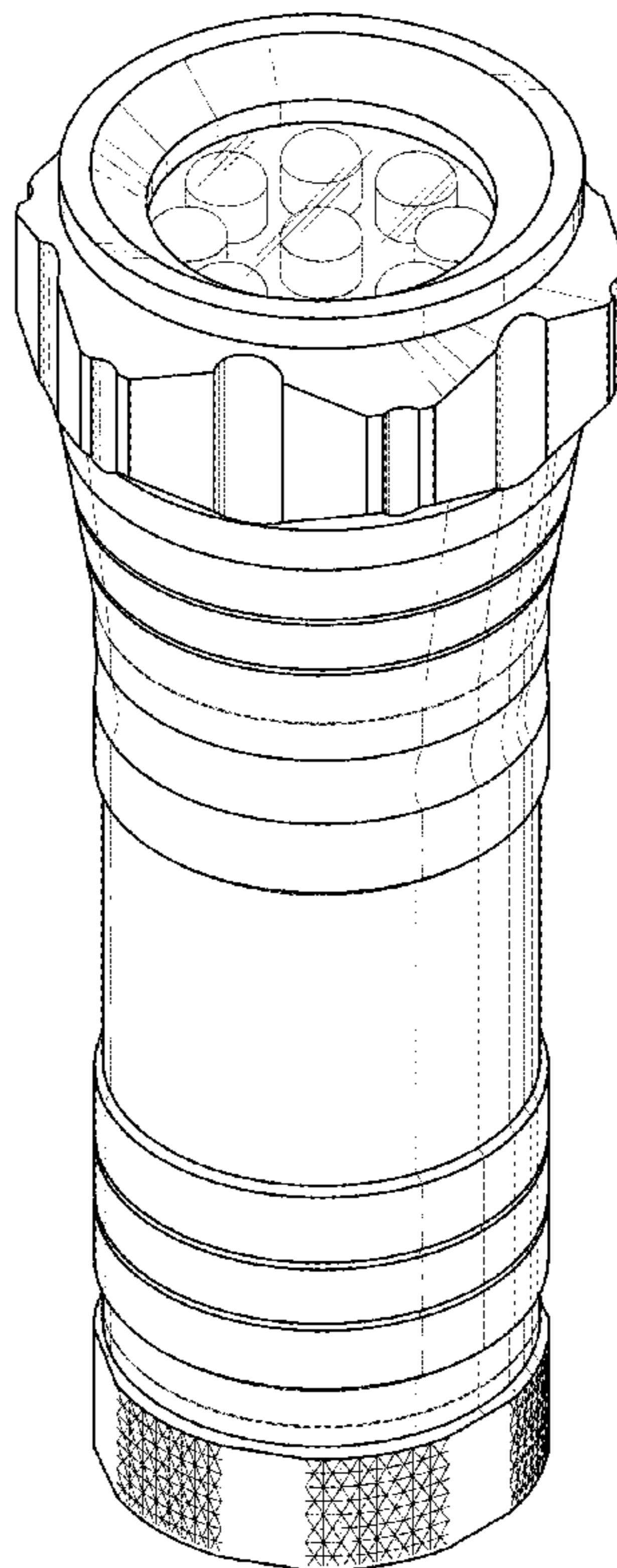
FIG. 3 is another side view thereof;

FIG. 4 is a top view thereof; and,

FIG. 5 is a bottom view thereof.

The broken line showing is for environmental purposes only and forms no part of the claimed design.

1 Claim, 4 Drawing Sheets



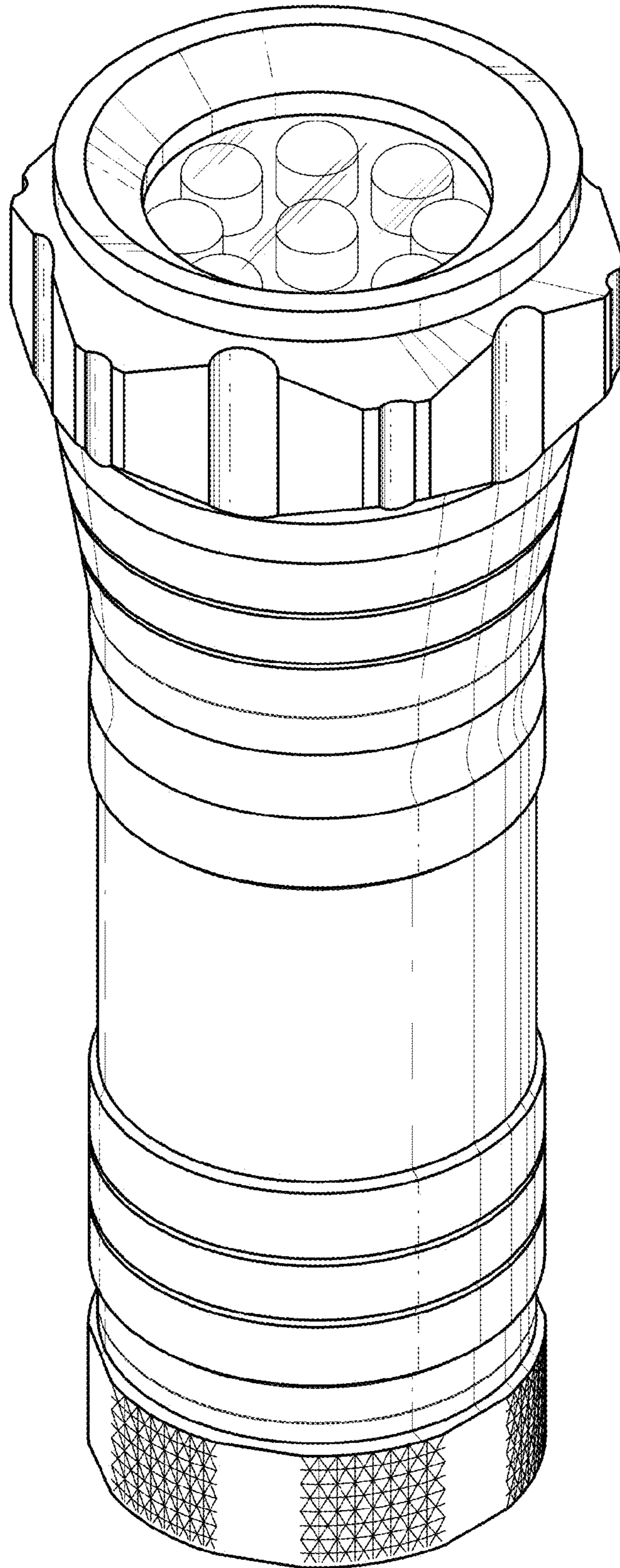


FIG. 1

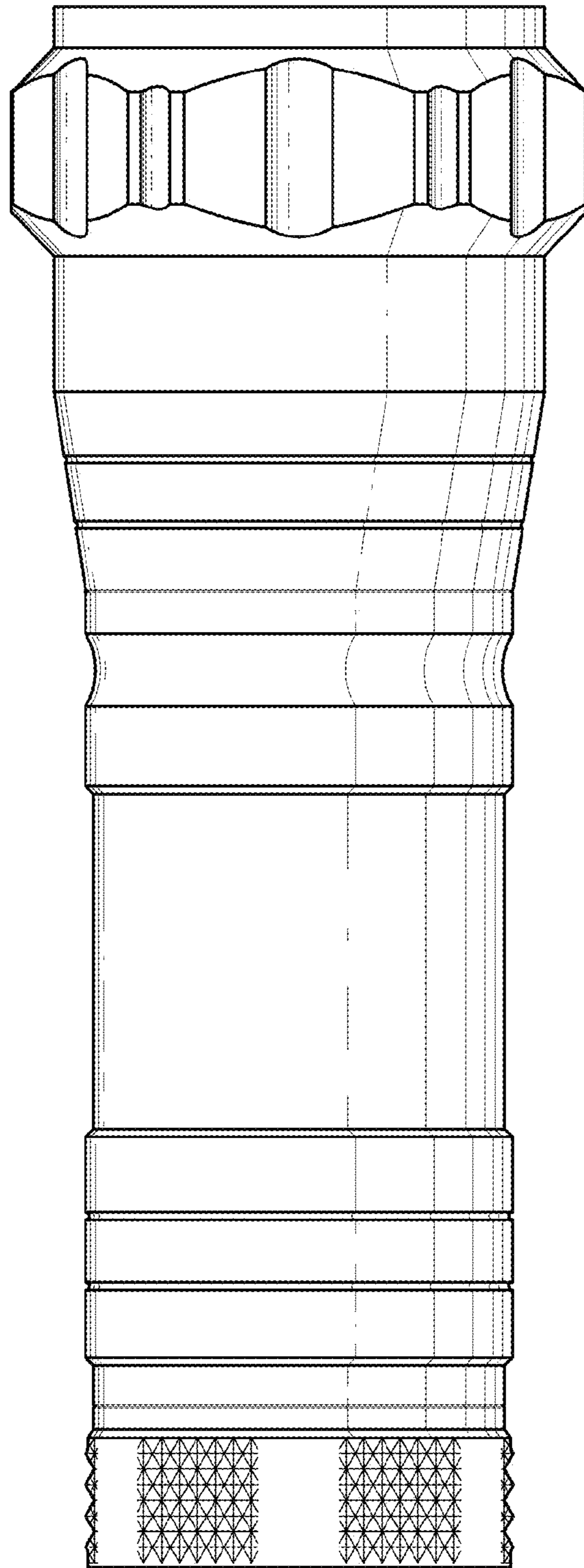


FIG. 2

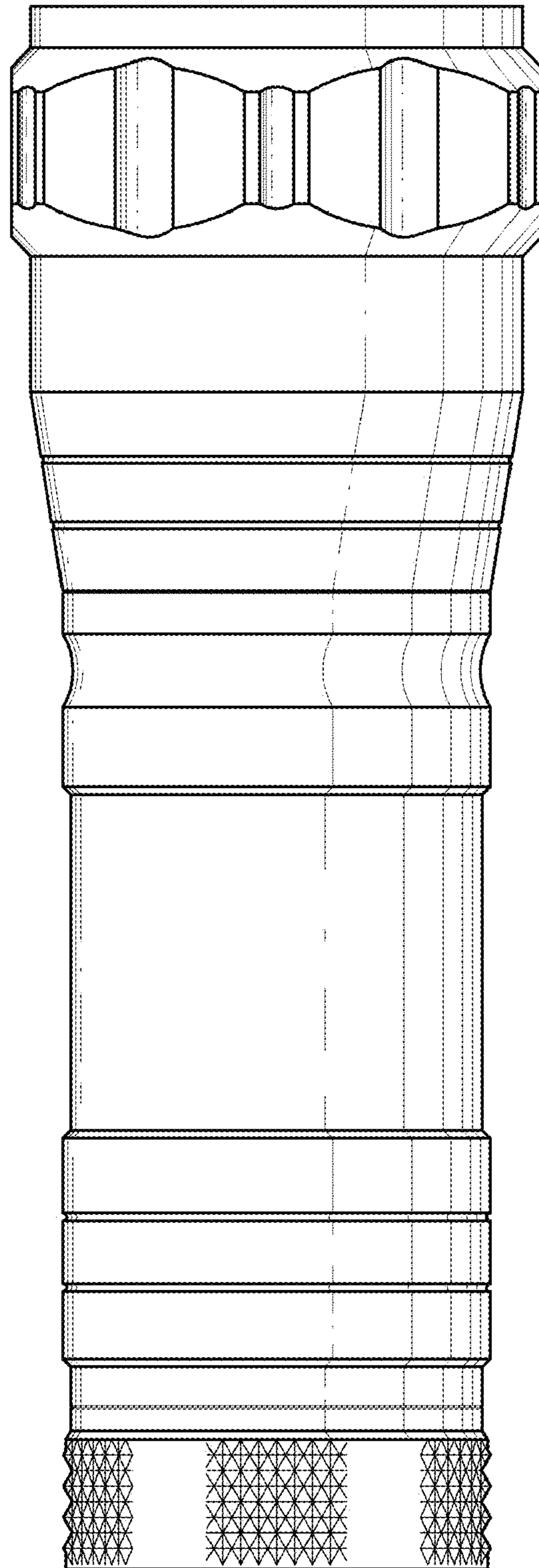


FIG. 3

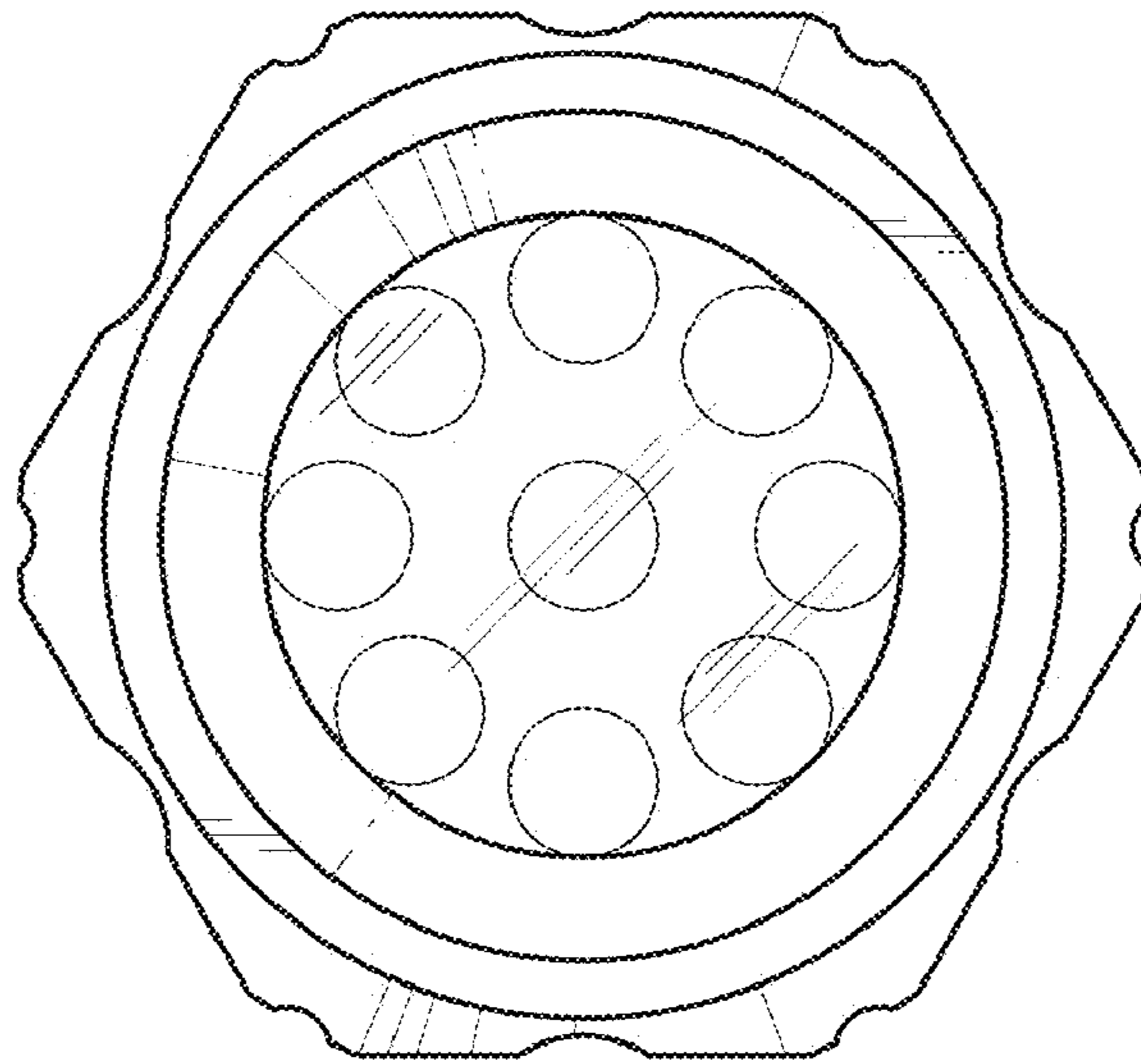


FIG. 4

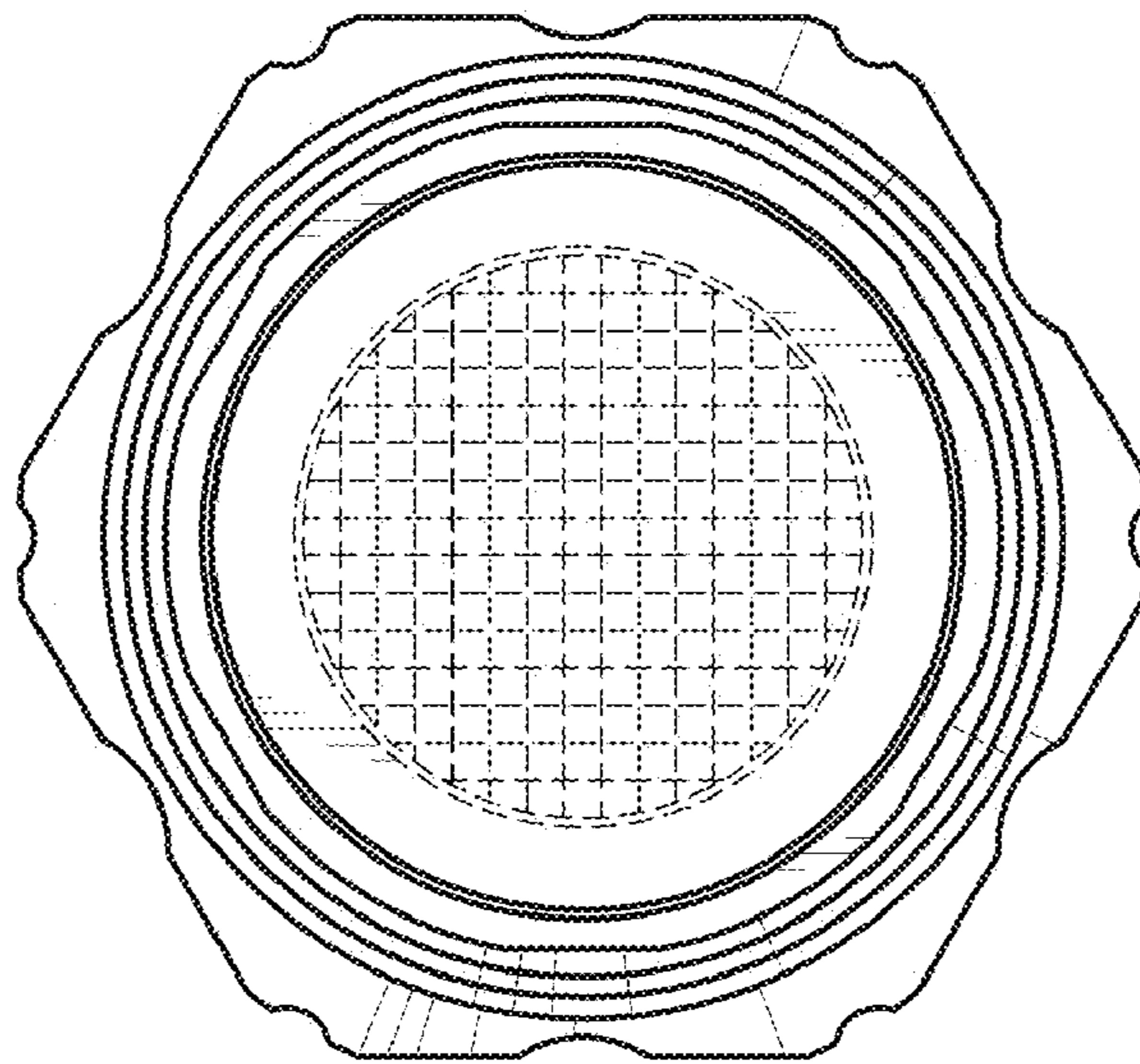


FIG. 5