



US00D678566S

(12) **United States Design Patent**
Janssen

(10) **Patent No.:** **US D678,566 S**
(45) **Date of Patent:** **** Mar. 19, 2013**

(54) **BICYCLE LED LIGHT**

(56) **References Cited**

(75) Inventor: **Ramon Janssen**, Eindhoven (NL)

U.S. PATENT DOCUMENTS

(73) Assignee: **Koninklijke Philips Electronics N.V.**,
Eindhoven (NL)

D540,966	S	*	4/2007	Ueda et al.	D26/28
D541,447	S	*	4/2007	Ueda et al.	D26/28
D560,833	S	*	1/2008	Ueda et al.	D26/28
D560,834	S	*	1/2008	Nagano	D26/28
D629,538	S	*	12/2010	Nagano	D26/28

(**) Term: **14 Years**

* cited by examiner

(21) Appl. No.: **29/414,340**

Primary Examiner — Marcus Jackson

(22) Filed: **Feb. 28, 2012**

(57) **CLAIM**
The ornamental design for a bicycle LED light, as shown.

(30) **Foreign Application Priority Data**

DESCRIPTION

Aug. 30, 2011 (EM) 001909789-0004

(51) **LOC (9) Cl.** **26-06**

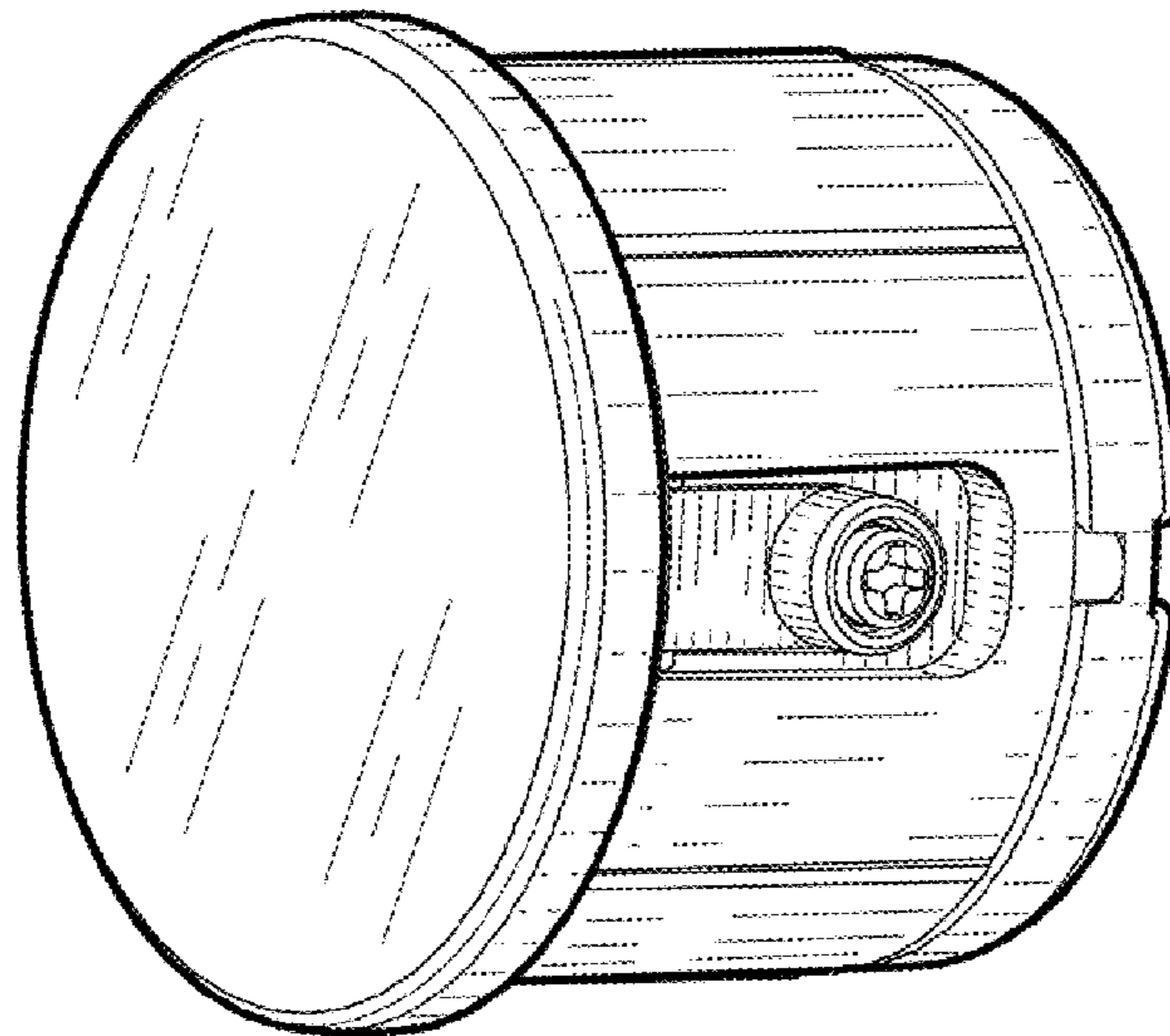
(52) **U.S. Cl.** **D26/28**

(58) **Field of Classification Search** D26/28-36;
362/459-468, 475-478, 485-487, 61, 80-83

FIG. 1 is a perspective view showing my design;
FIG. 2 is a front elevational view thereof;
FIG. 3 is a rear elevational view thereof;
FIG. 4 is a right side elevational view thereof;
FIG. 5 is a left side elevational view thereof;
FIG. 6 is a top plan view thereof; and,
FIG. 7 is a bottom plan view thereof.

See application file for complete search history.

1 Claim, 2 Drawing Sheets



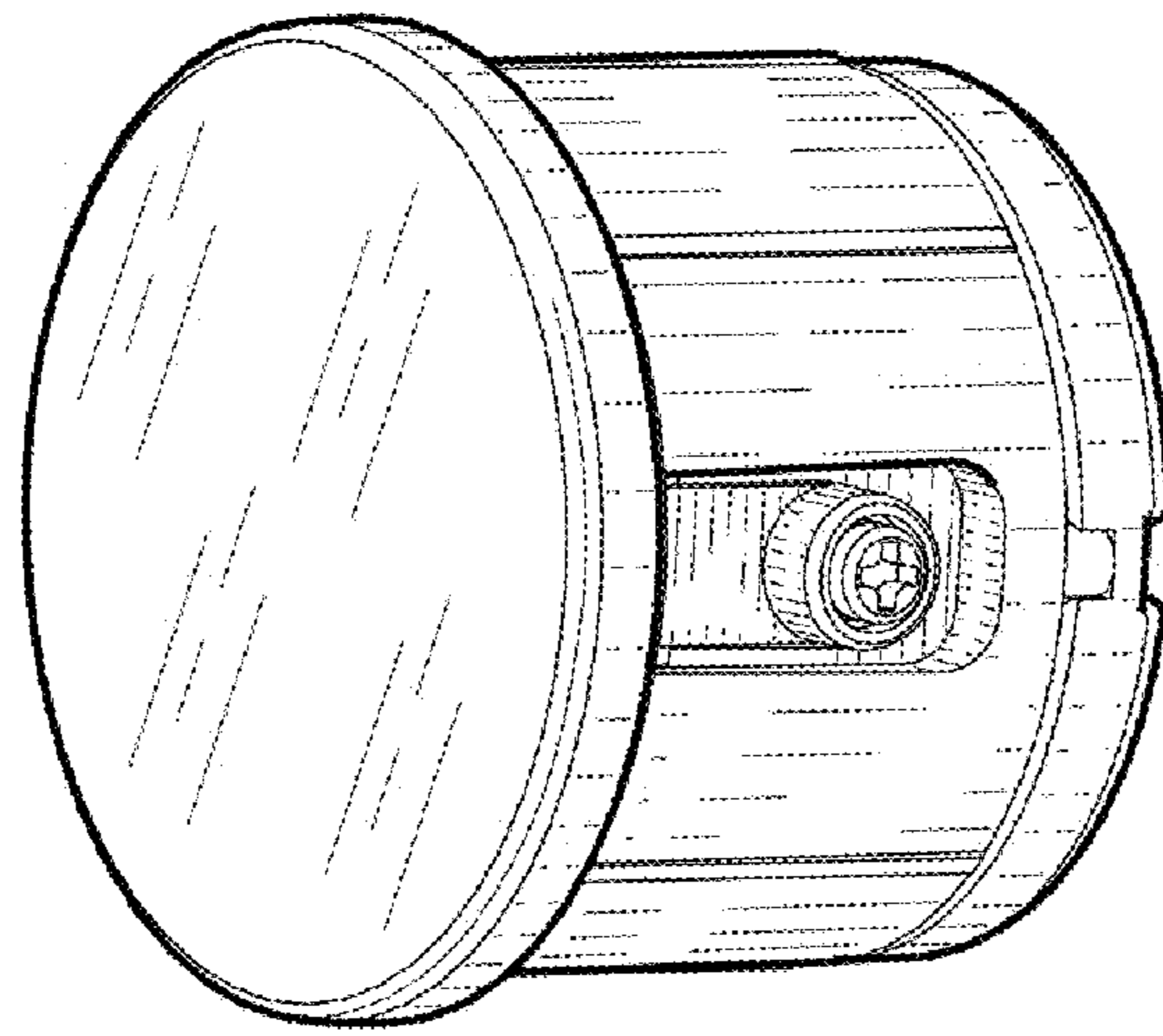


FIG. 1

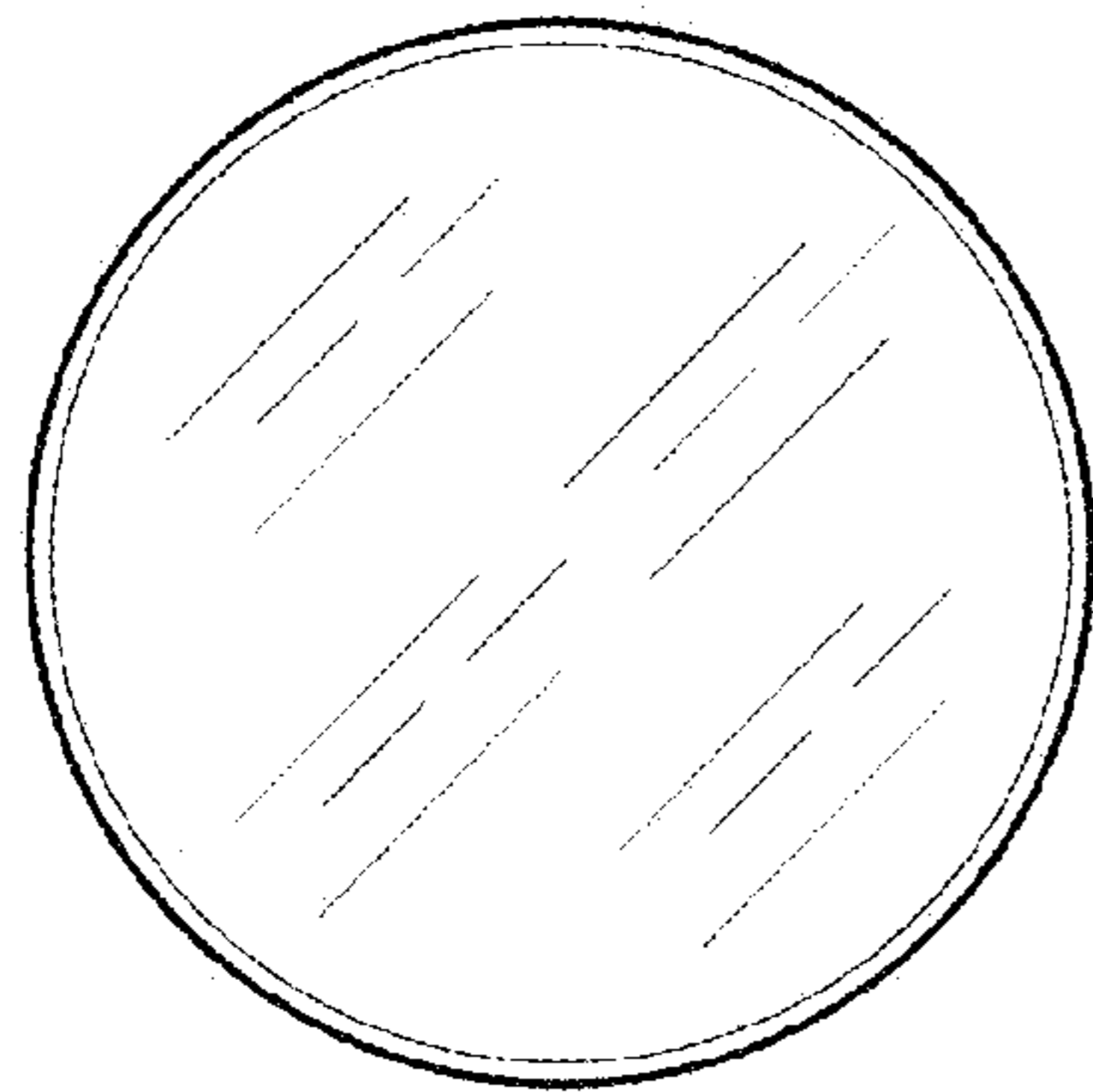


FIG. 2

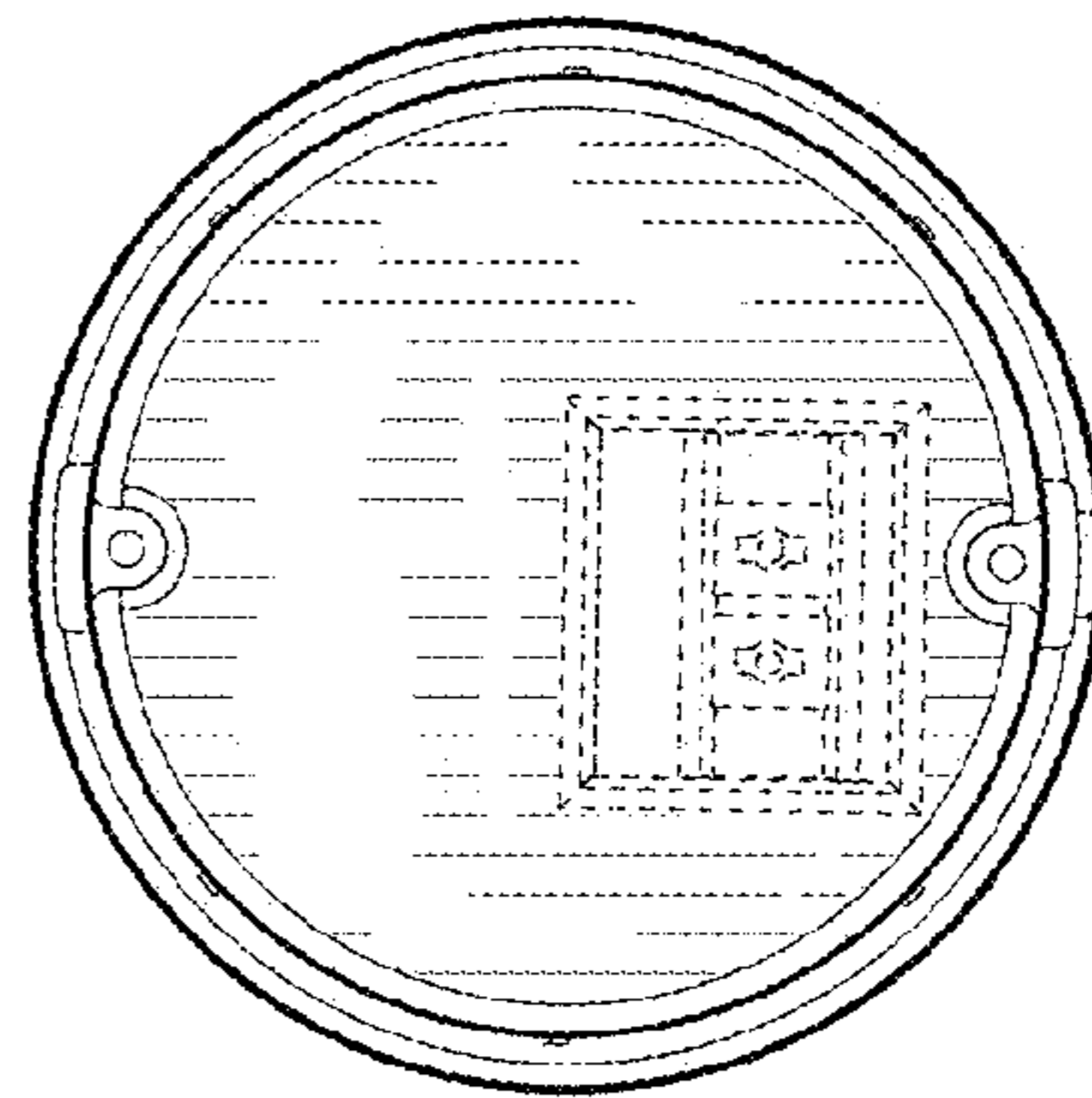


FIG. 3

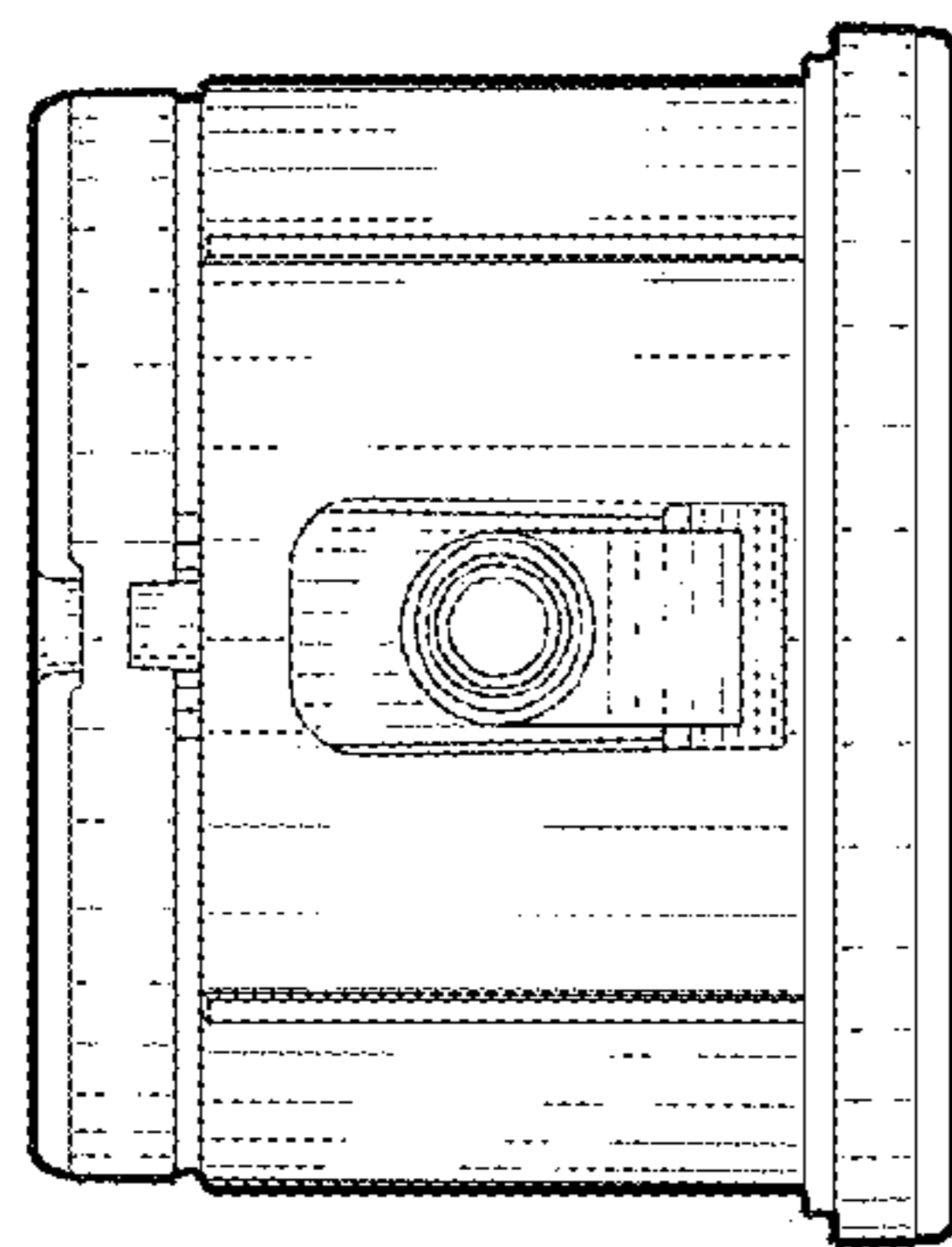


FIG. 4

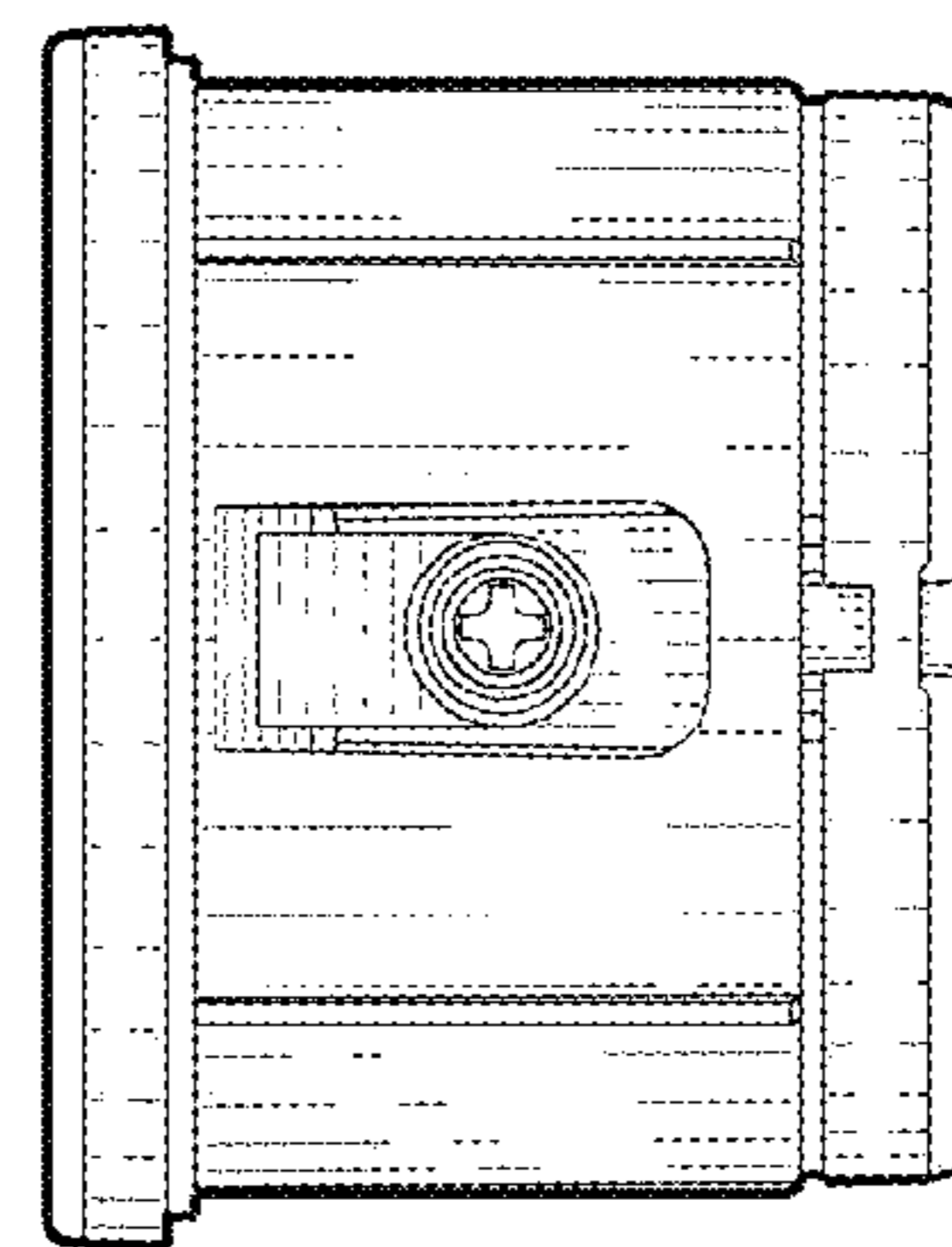


FIG. 5

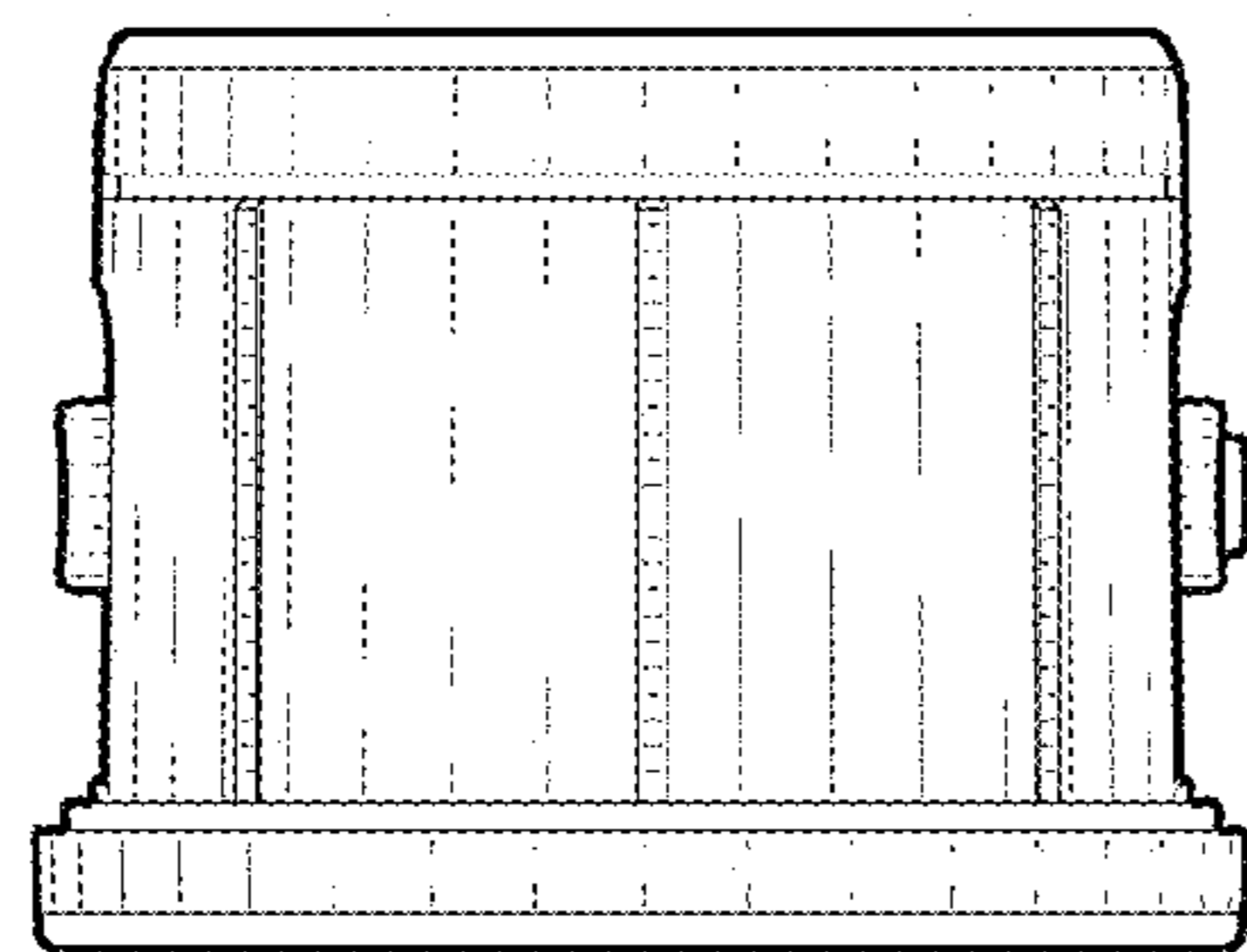


FIG. 6

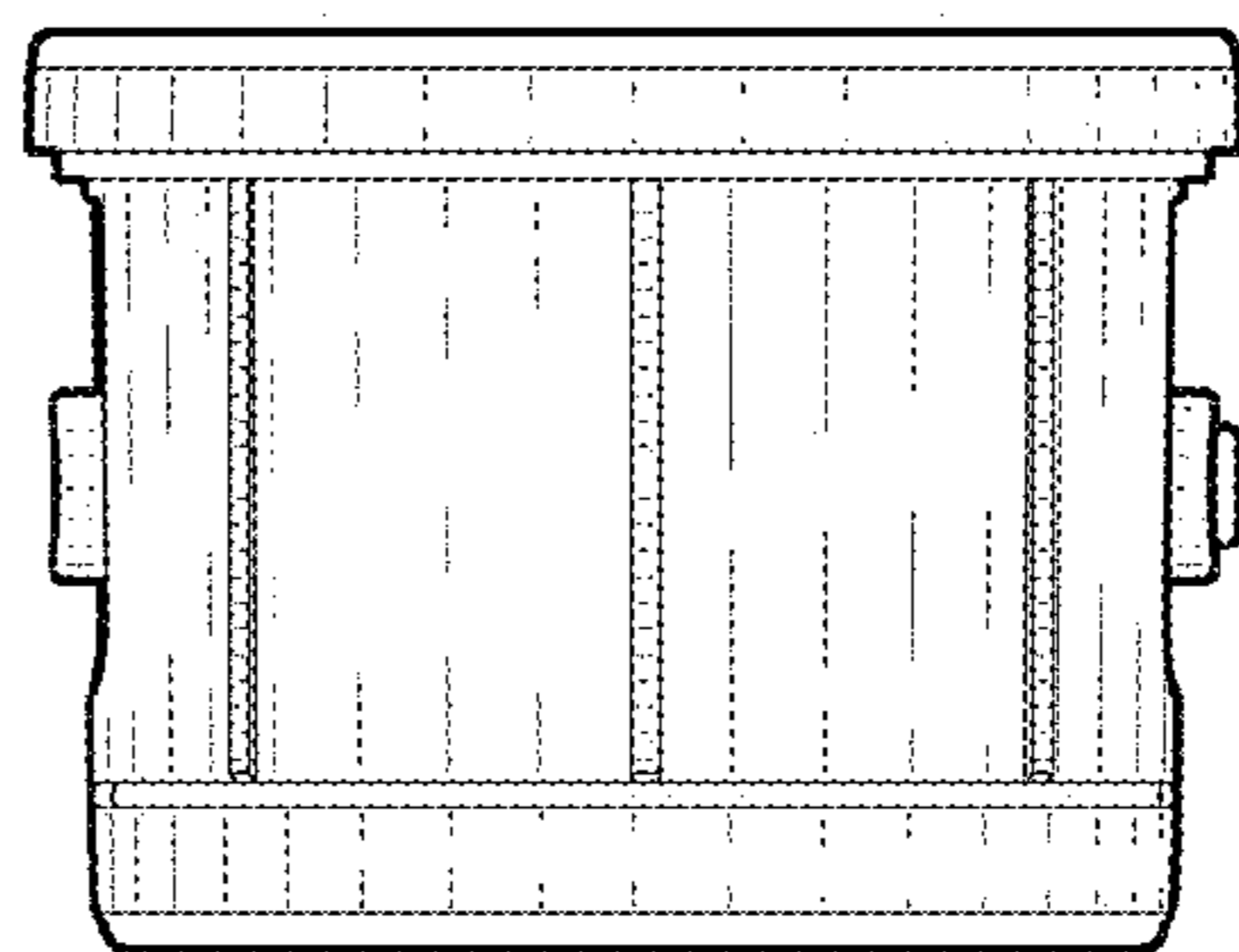


FIG. 7