



US00D678563S

(12) **United States Design Patent**
Liao et al.

(10) **Patent No.:** **US D678,563 S**

(45) **Date of Patent:** **** Mar. 19, 2013**

(54) **BICYCLE LIGHT**

(75) Inventors: **Su-Chang Liao**, Taichung (TW);
Di-Shun Liao, Taichung (TW)

(73) Assignee: **S-Sun Enterprise Co., Ltd.**, Taichung
(TW)

(**) Term: **14 Years**

(21) Appl. No.: **29/409,599**

(22) Filed: **Dec. 27, 2011**

(51) **LOC (9) Cl.** **26-06**

(52) **U.S. Cl.** **D26/28**

(58) **Field of Classification Search** D26/28-36;
362/459-468, 475-478, 485-487
See application file for complete search history.

(56) **References Cited**

U.S. PATENT DOCUMENTS

D540,481 S *	4/2007	Okuda	D26/28
D540,966 S *	4/2007	Ueda et al.	D26/28
D541,447 S *	4/2007	Ueda et al.	D26/28
D560,833 S *	1/2008	Ueda et al.	D26/28

D560,834 S *	1/2008	Nagano	D26/28
D584,840 S *	1/2009	Okuda et al.	D26/28
D605,790 S *	12/2009	Hsing-Tsun	D26/28
D611,173 S *	3/2010	McKechnie	D26/28
D629,538 S *	12/2010	Nagano	D26/28

* cited by examiner

Primary Examiner — Marcus Jackson

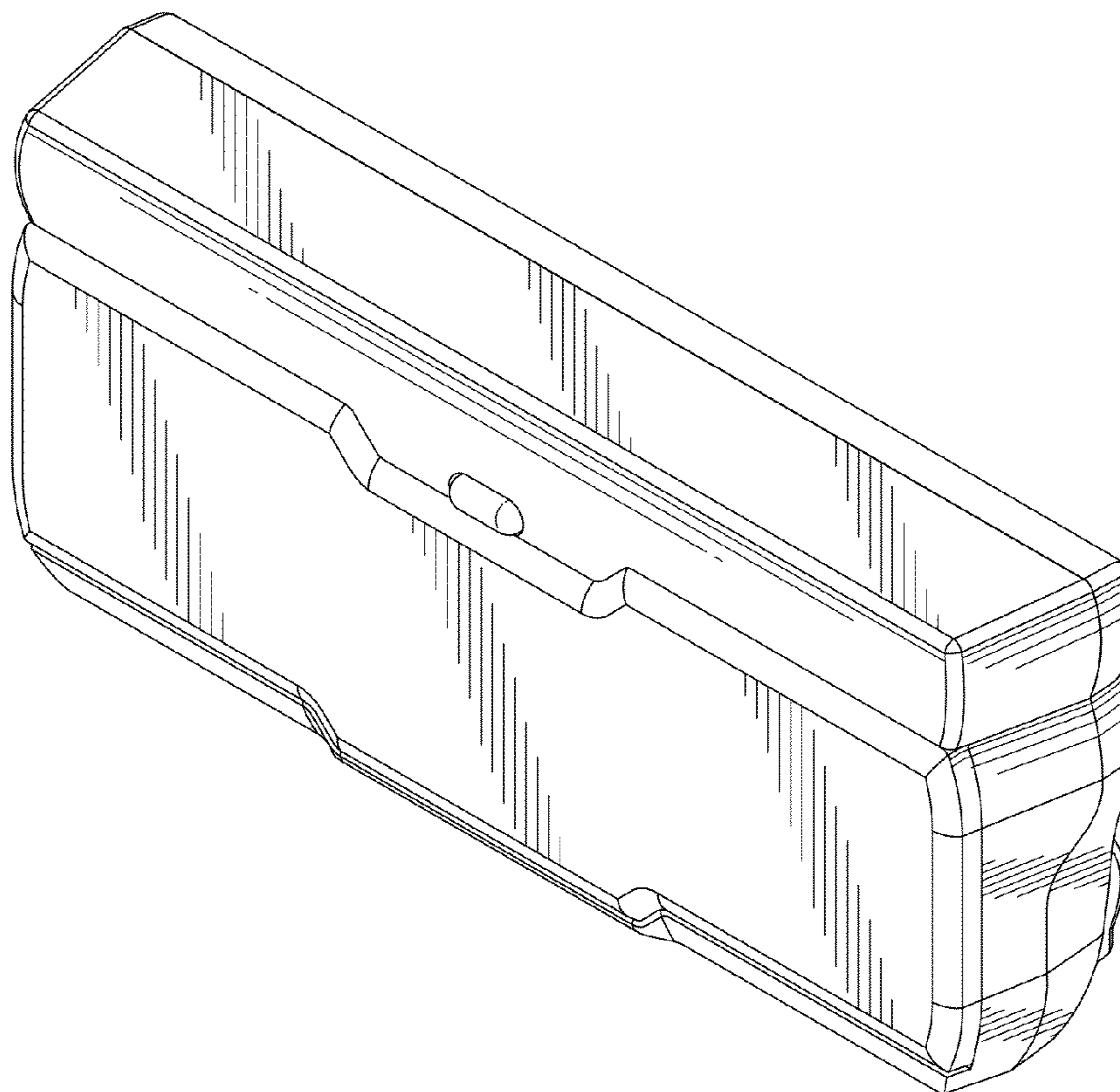
(57) **CLAIM**

The ornamental design for a bicycle light, as shown and described.

DESCRIPTION

FIG. 1 is a perspective view of a bicycle light showing my new design;
FIG. 2 is a front elevational view thereof;
FIG. 3 is a rear elevational view thereof;
FIG. 4 is a left side view thereof;
FIG. 5 is a right side view thereof;
FIG. 6 is a top plan view thereof;
FIG. 7 is a bottom plan view thereof; and,
FIG. 8 is another perspective view for showing the reverse side of the design.

1 Claim, 5 Drawing Sheets



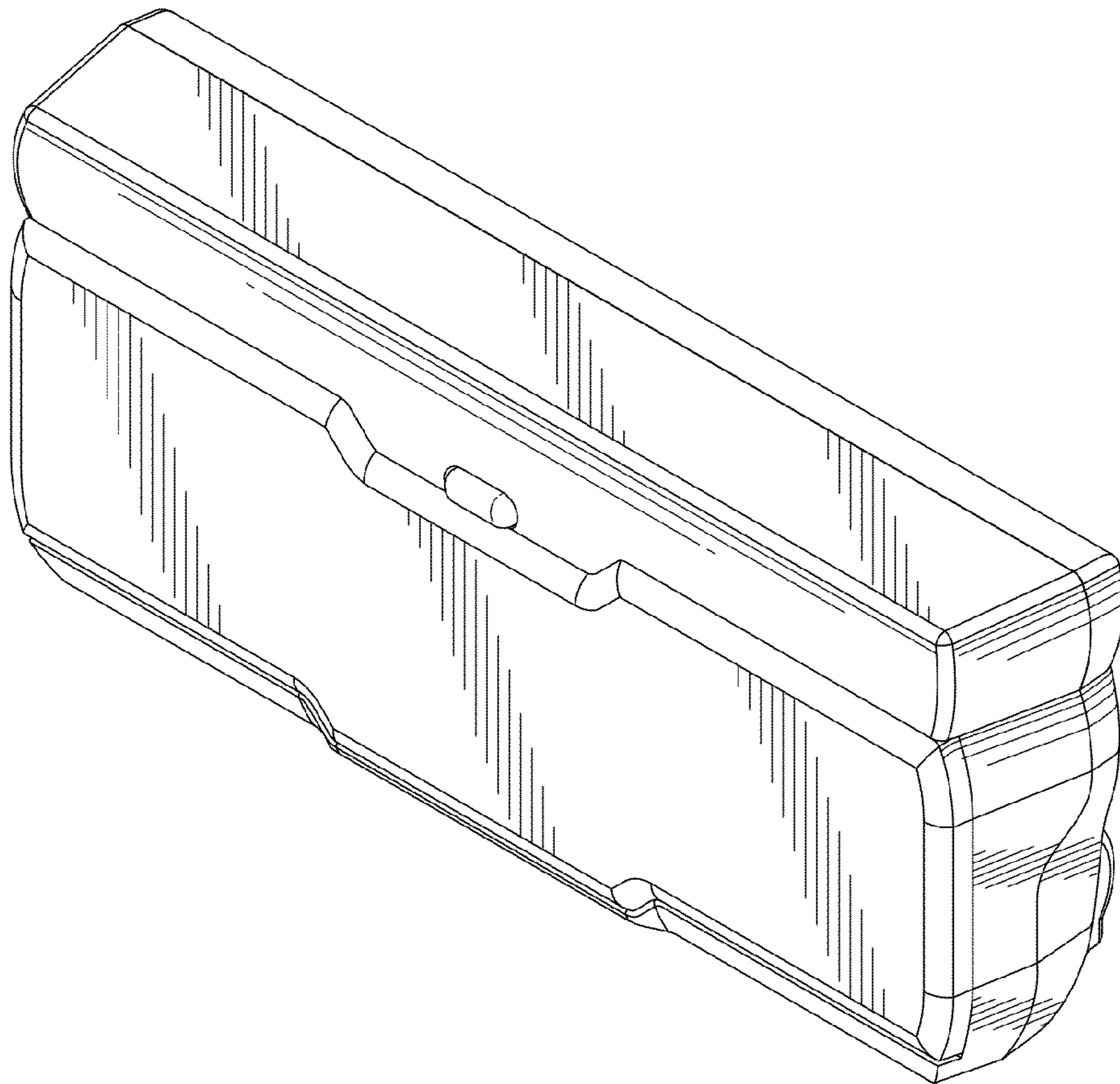


FIG. 1

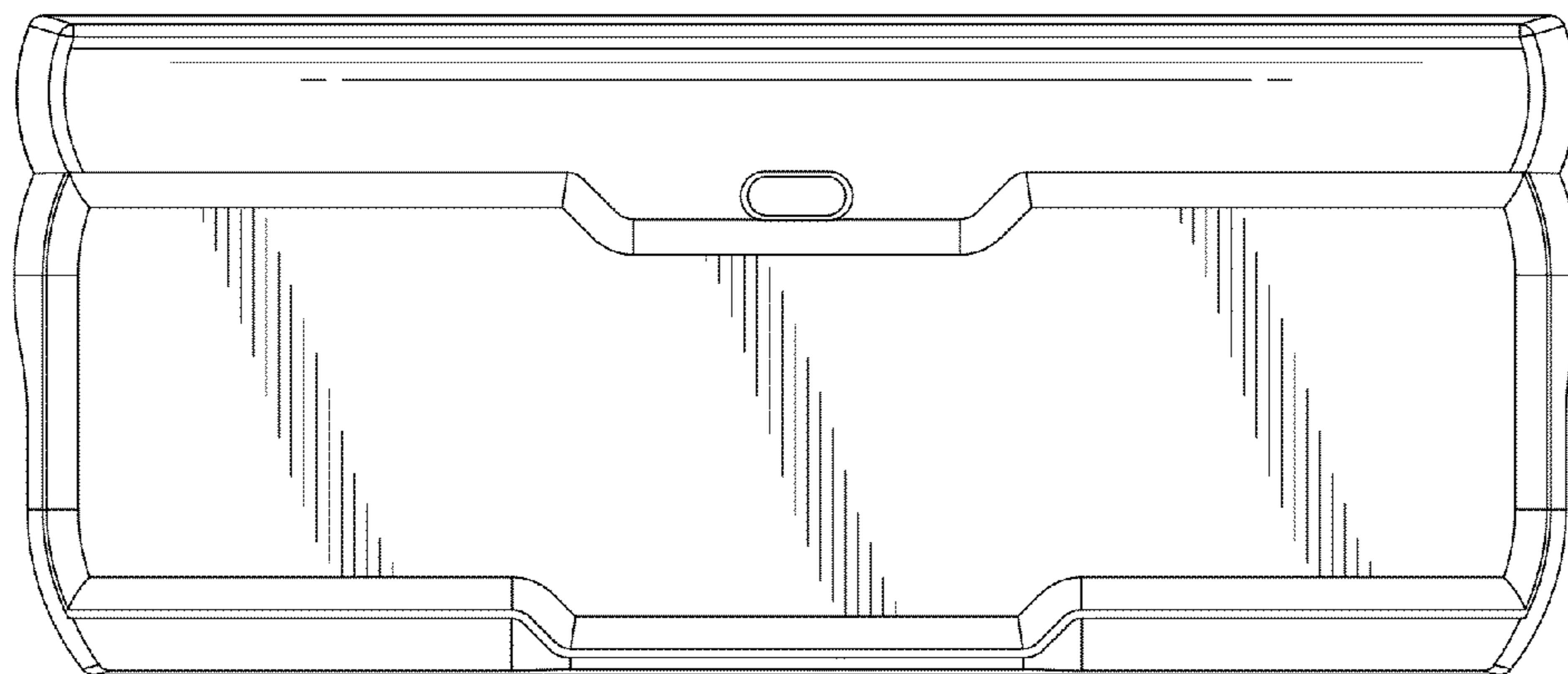


FIG. 2

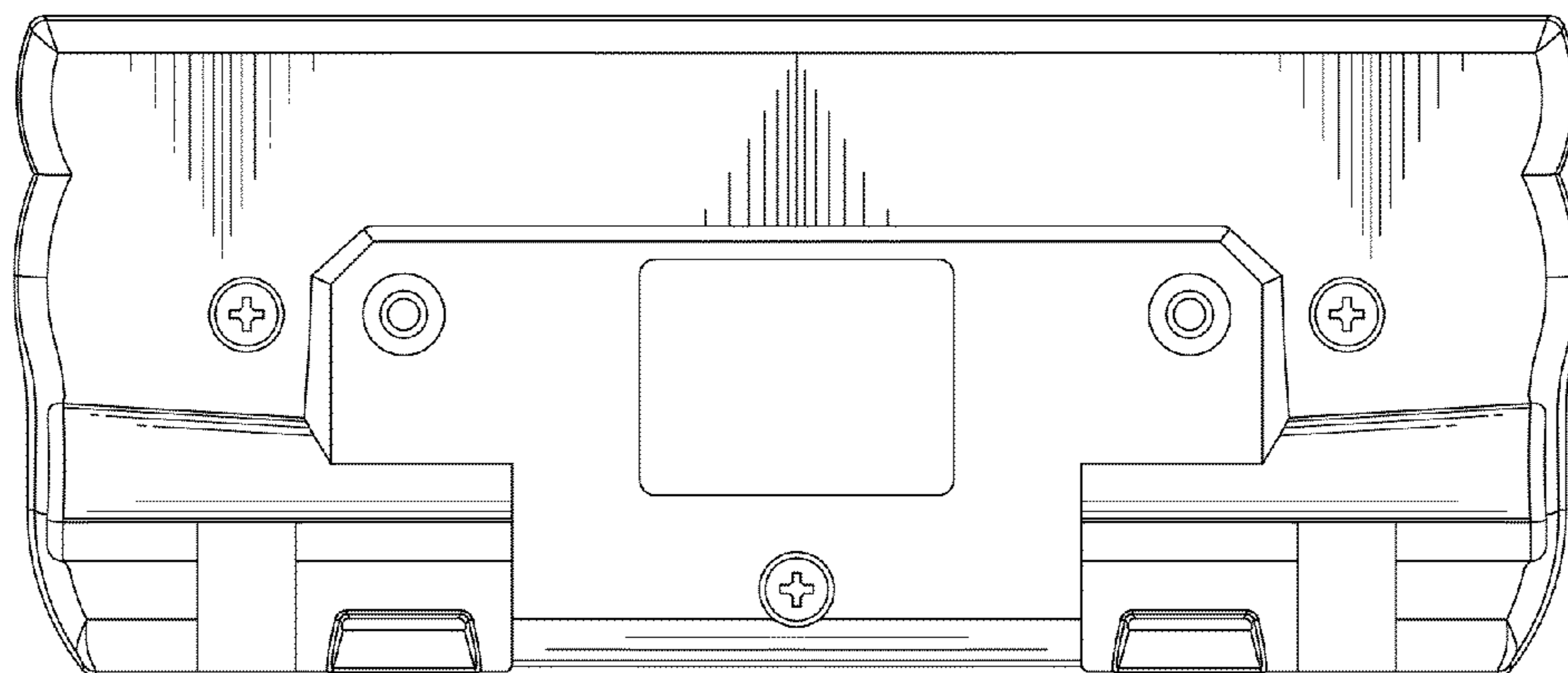


FIG. 3

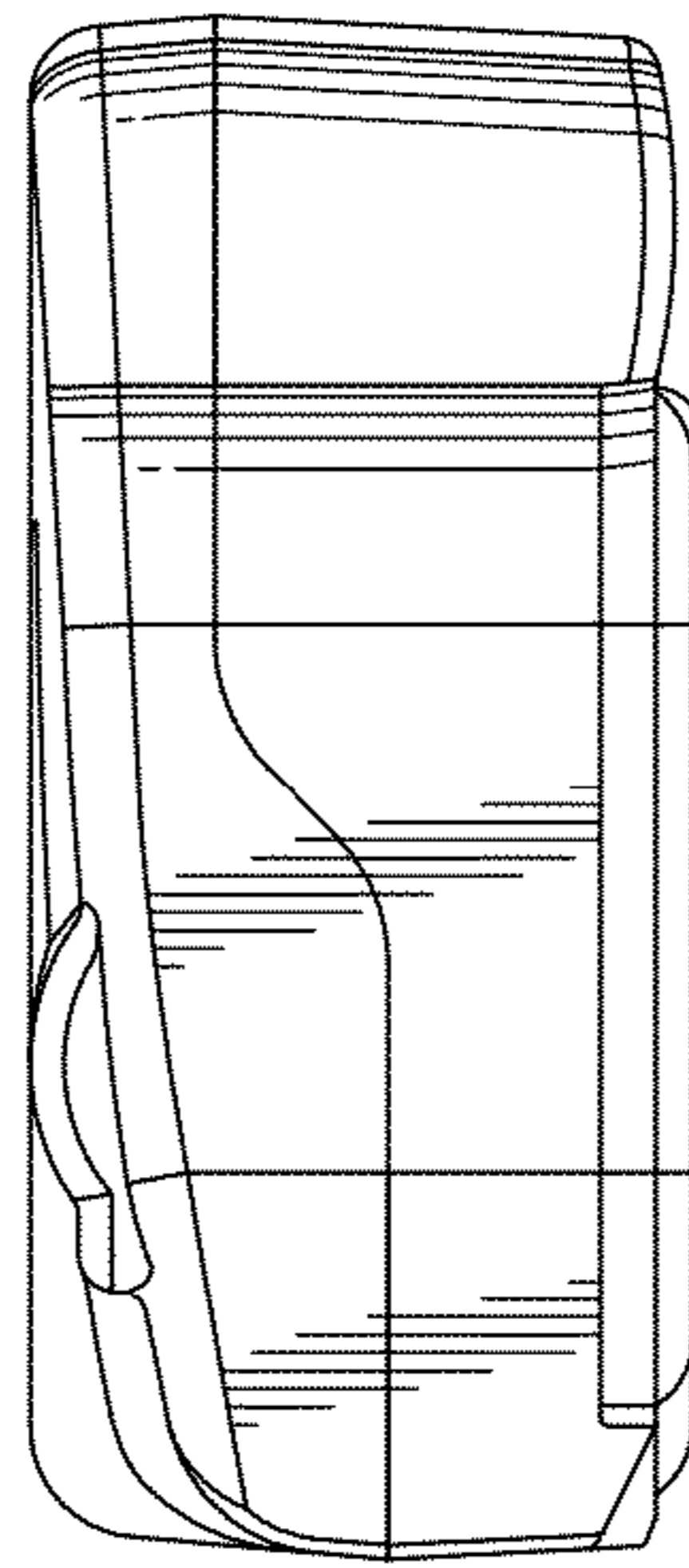


FIG. 4

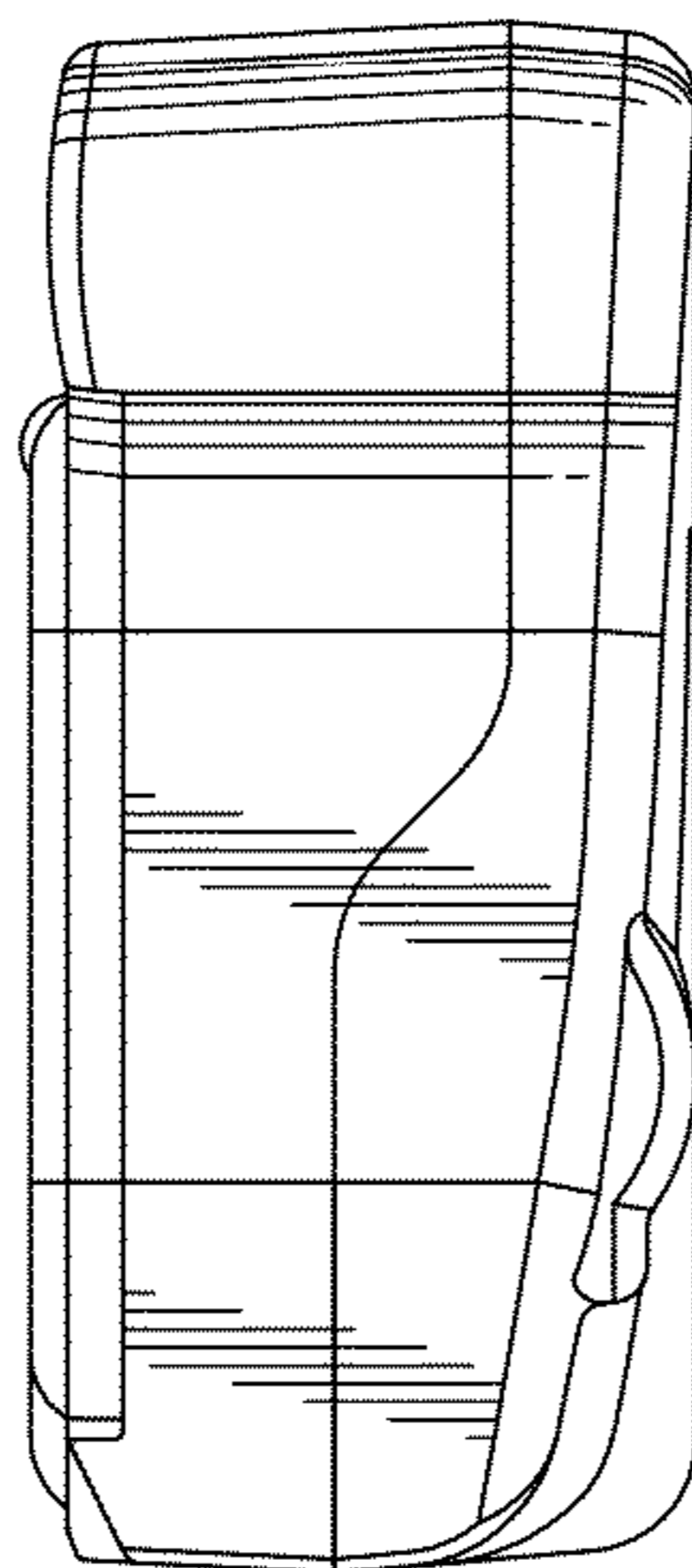


FIG. 5

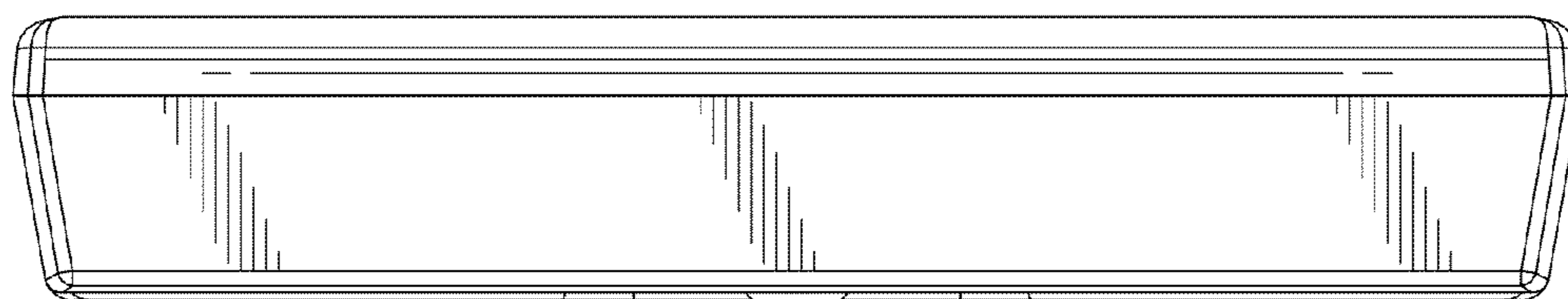


FIG. 6

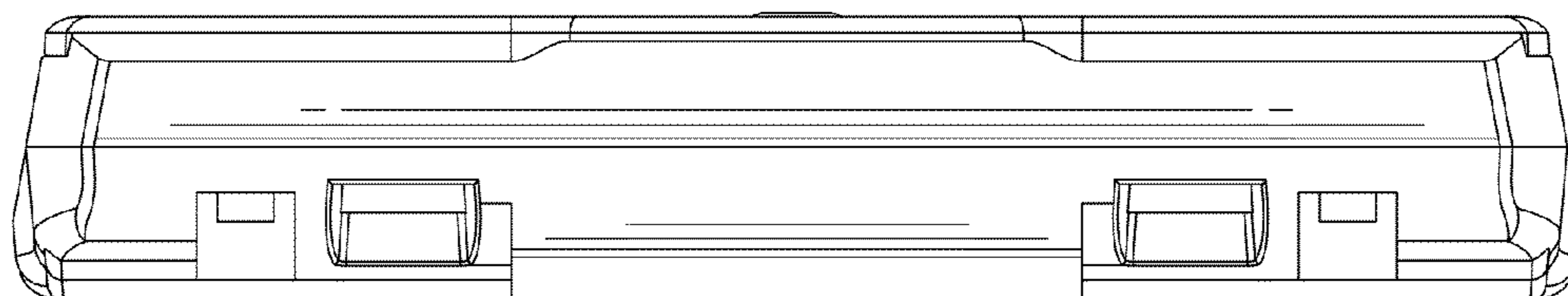


FIG. 7

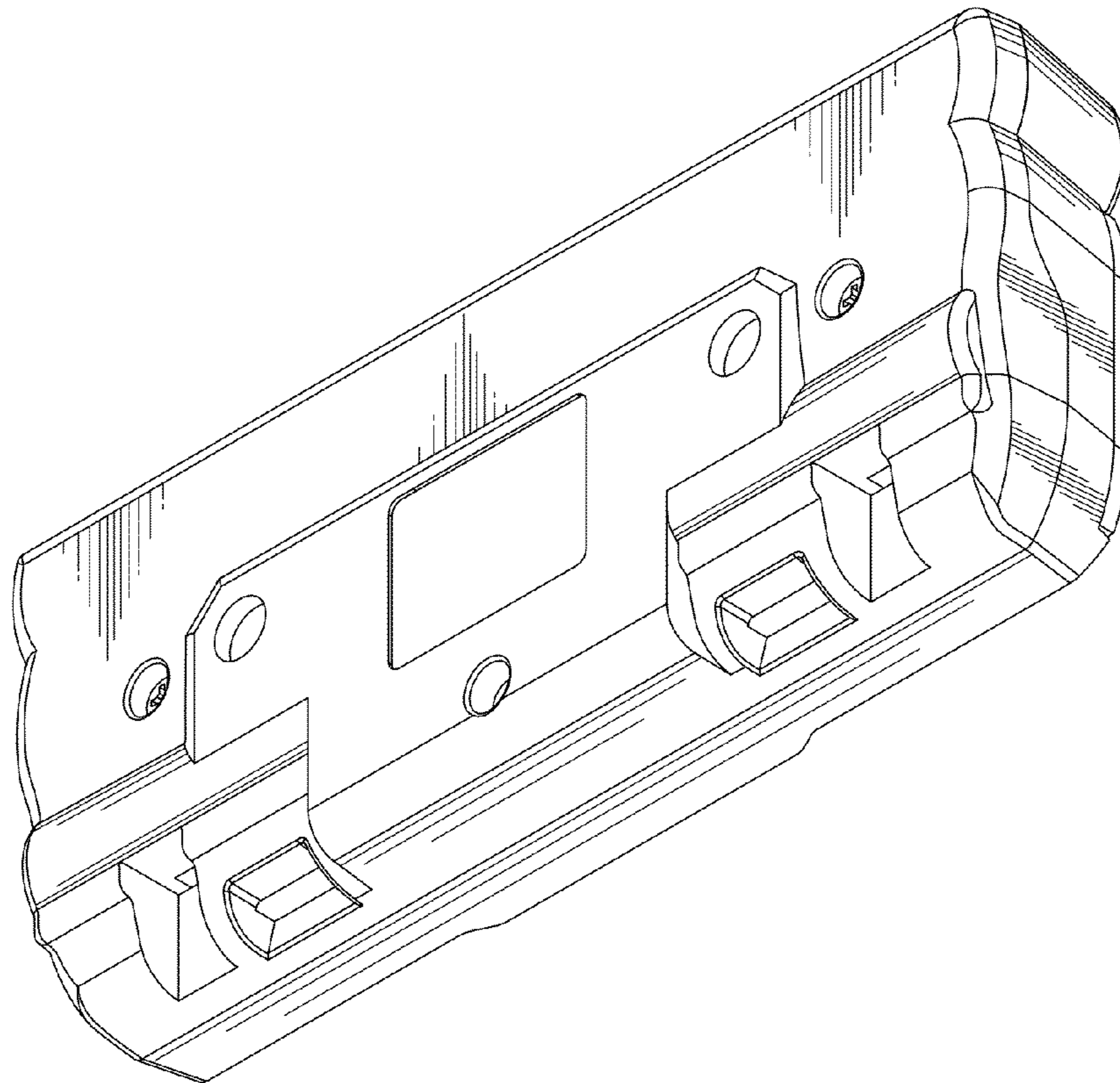


FIG. 8