



US00D678562S

(12) **United States Design Patent**
Chan

(10) **Patent No.:** **US D678,562 S**

(45) **Date of Patent:** **** Mar. 19, 2013**

(54) **BICYCLE LIGHT**

(75) Inventor: **Hsing-Tsun Chan**, Taoyuan Hsien (TW)

(73) Assignee: **Portland Design Works LLC**, Portland, OR (US)

(**) Term: **14 Years**

(21) Appl. No.: **29/399,225**

(22) Filed: **Aug. 10, 2011**

(51) **LOC (9) Cl.** **26-06**

(52) **U.S. Cl.** **D26/28; D26/60**

(58) **Field of Classification Search** D26/60,
D26/63, 28-37; 362/196, 473-477, 486,
362/459, 460, 464, 465, 183, 186, 187, 188,
362/189, 191, 194, 195, 197, 198, 199, 202,
362/205, 508, 512, 523, 396

See application file for complete search history.

(56) **References Cited**

U.S. PATENT DOCUMENTS

D560,834 S * 1/2008 Nagano D26/28
D584,840 S * 1/2009 Okuda et al. D26/28
D605,790 S 12/2009 Hsing-Tsun

D609,378 S * 2/2010 Lee D26/60

* cited by examiner

Primary Examiner — Susan M Lee

Assistant Examiner — Linda G. Brooks

(74) *Attorney, Agent, or Firm* — Alleman Hall McCoy Russell & Tuttle LLP

(57) **CLAIM**

The ornamental design for a bicycle light, as shown and described.

DESCRIPTION

FIG. 1 is a top left perspective view of a bicycle light according to the present invention.

FIG. 2 is a top perspective of the bicycle light of FIG. 1.

FIG. 3 is a bottom perspective of the bicycle light of FIG. 1.

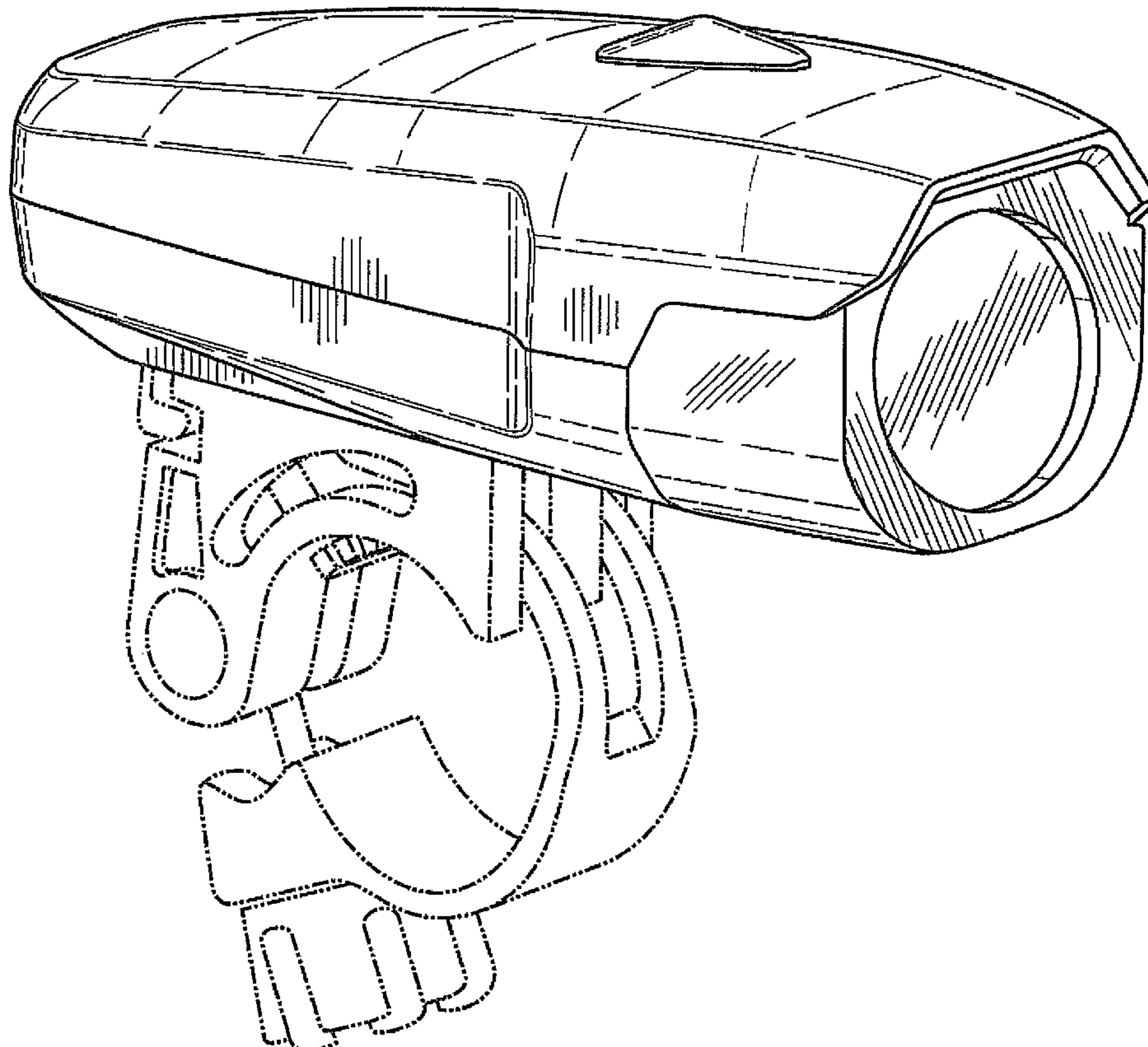
FIG. 4 is a left side perspective of the bicycle light of FIG. 1.

FIG. 5 is a front perspective of the bicycle light of FIG. 1; and,

FIG. 6 is a rear perspective of the bicycle light of FIG. 1.

The double-dot dashed lines in FIG. 1 illustrate environment, and form no part of the claimed design. The double-dot dashed lines in FIG. 3 illustrate a rectangular attachment location and a round fastener, respectively, and form no part of the claimed design. The right side of the bicycle light according to the present invention is a mirror image of the left side of the bicycle light as illustrated in FIG. 4, and is omitted.

1 Claim, 3 Drawing Sheets



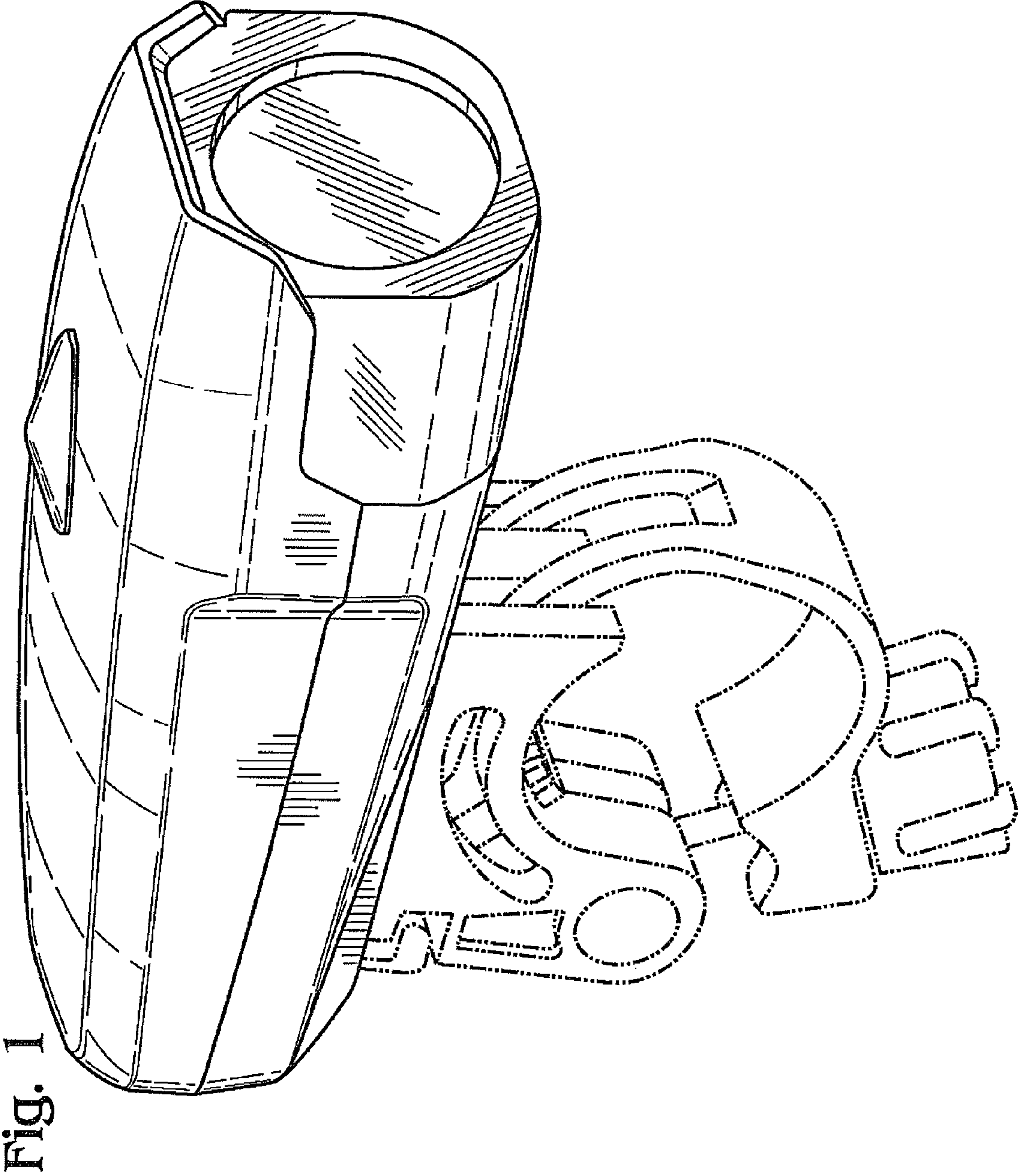


Fig. 2

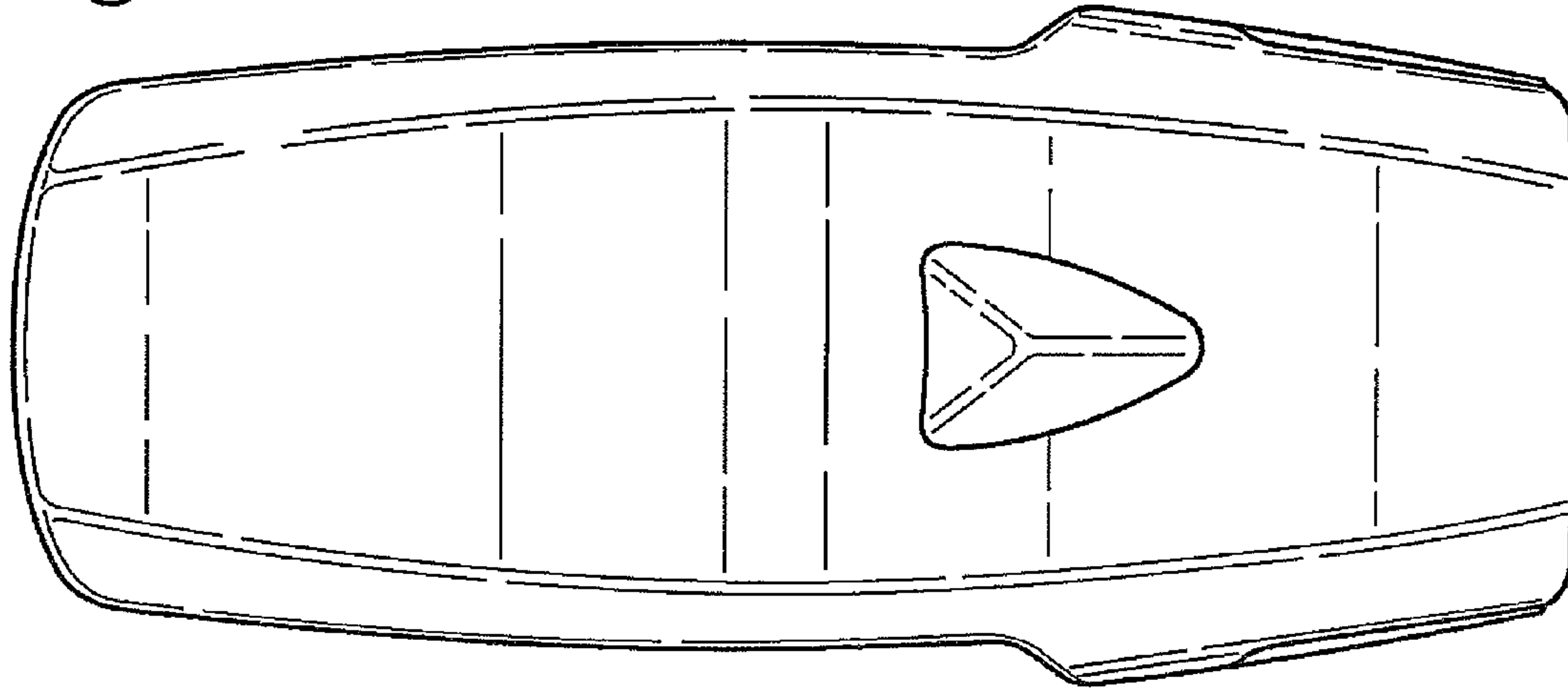


Fig. 3

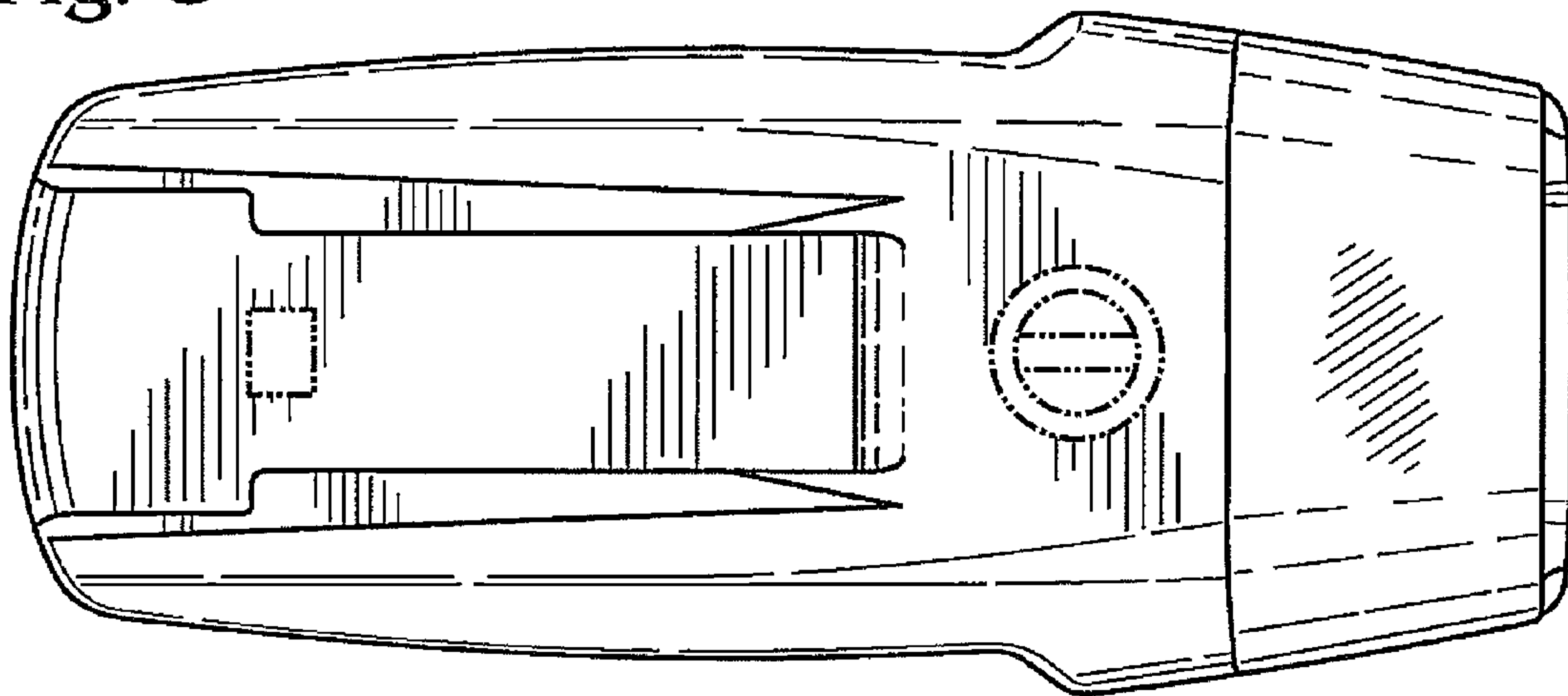


Fig. 4

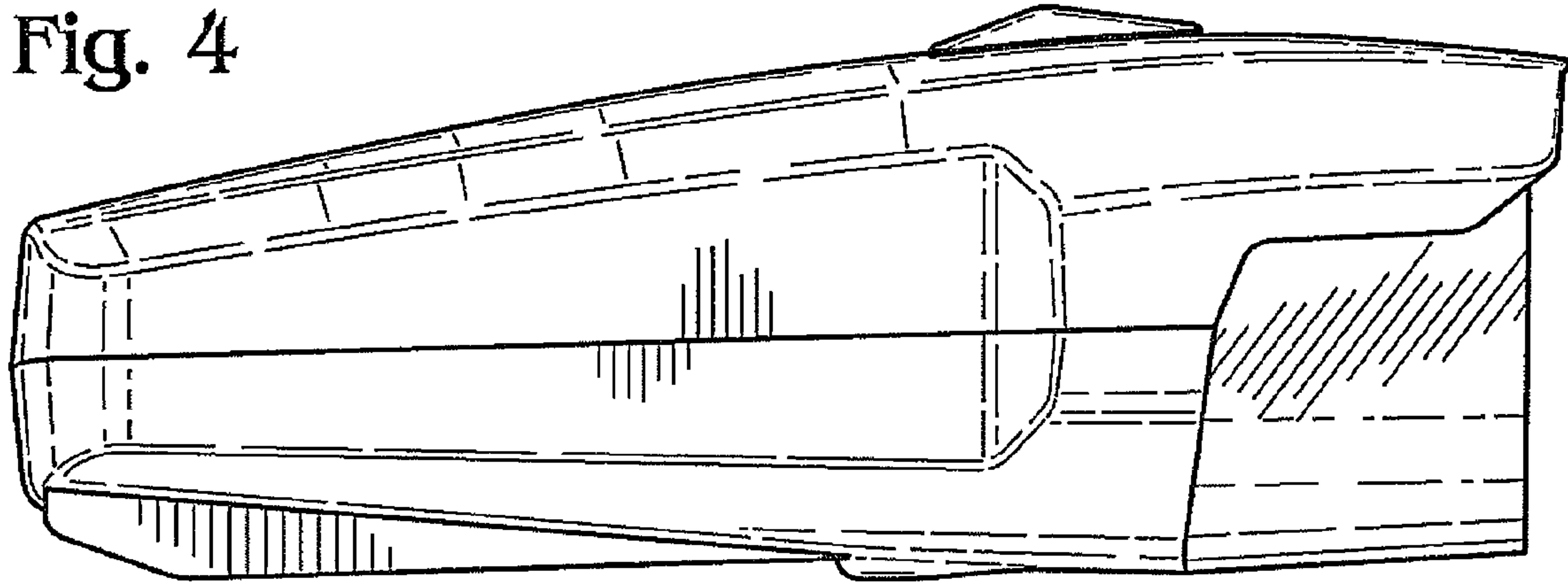


Fig. 5

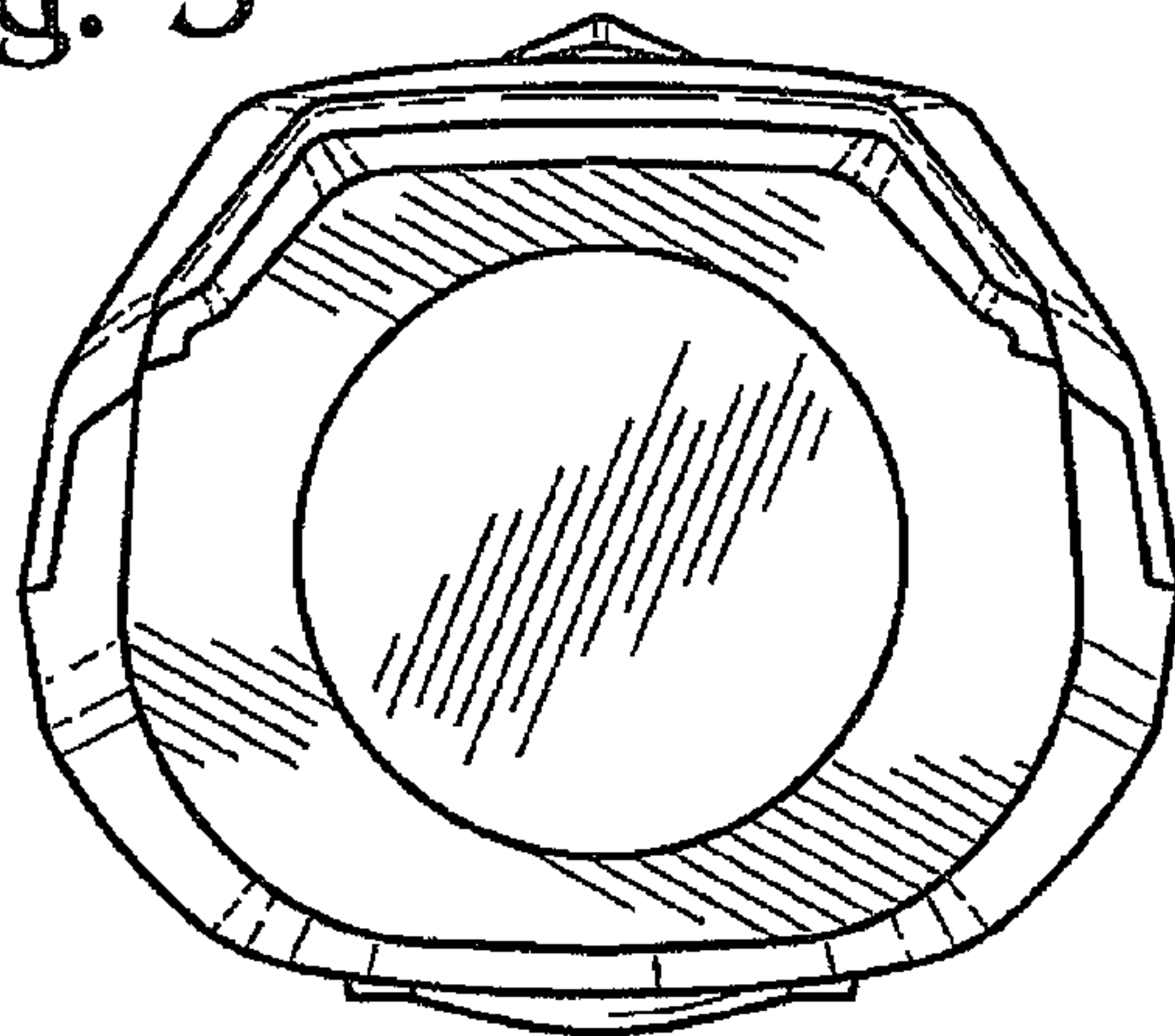


Fig. 6

