

US00D678561S

(12) **United States Design Patent**
Rugendyke et al.

(10) **Patent No.:** **US D678,561 S**
(45) **Date of Patent:** **** Mar. 19, 2013**

(54) **LIGHTING DEVICE**

(75) Inventors: **Timothy J. Rugendyke**, Woy Woy
(AU); **Adam Fransen**, Kambah (AU)

(73) Assignee: **Eveready Battery Company, Inc.**, St.
Louis, MO (US)

(**) Term: **14 Years**

(21) Appl. No.: **29/423,508**

(22) Filed: **Jun. 1, 2012**

(51) **LOC (9) Cl.** **26-05**

(52) **U.S. Cl.** **D26/26**

(58) **Field of Classification Search** D26/26,
D26/125, 118, 24, 72, 85, 37; D23/366,
D23/367, 369; 362/640, 641, 642, 643, 644,
362/651, 657, 658, 659

See application file for complete search history.

(56) **References Cited**

U.S. PATENT DOCUMENTS

D291,125 S *	7/1987	Fenne	D26/26
D426,904 S *	6/2000	Simon	D26/26
D429,829 S *	8/2000	Doran	D26/26
D434,863 S *	12/2000	Boessel	D26/26
D476,428 S *	6/2003	Stekelenburg	D26/26
D498,009 S *	11/2004	Donnelly et al.	D26/26
D526,422 S *	8/2006	Yuen	D26/26
D618,833 S *	6/2010	Wei	D26/26
D641,896 S *	7/2011	Weiser	D26/26

D642,707 S *	8/2011	Kang et al.	D26/26
D642,708 S *	8/2011	Kaule et al.	D26/26
8,029,182 B2 *	10/2011	Chien	362/642
D650,506 S *	12/2011	Kaule	D26/72

FOREIGN PATENT DOCUMENTS

BG 2051141 * 2/1996

* cited by examiner

Primary Examiner — Angela J Lee

(74) *Attorney, Agent, or Firm* — Robert C. Baraona

(57) **CLAIM**

We claim the ornamental design for a lighting device, as shown and described.

DESCRIPTION

FIG. 1 is a front perspective view of the design.

FIG. 2 is a rear perspective view of the design.

FIG. 3 is a front view of the design.

FIG. 4 is a rear view of the design.

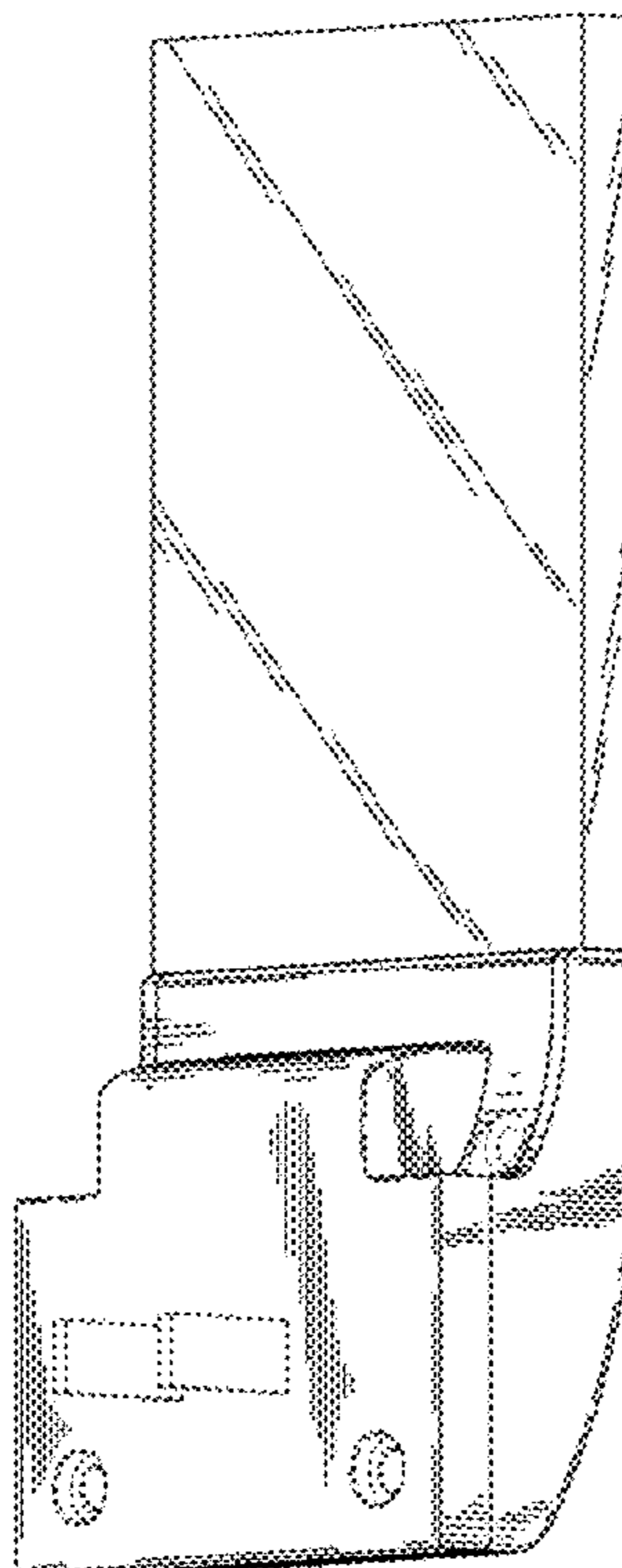
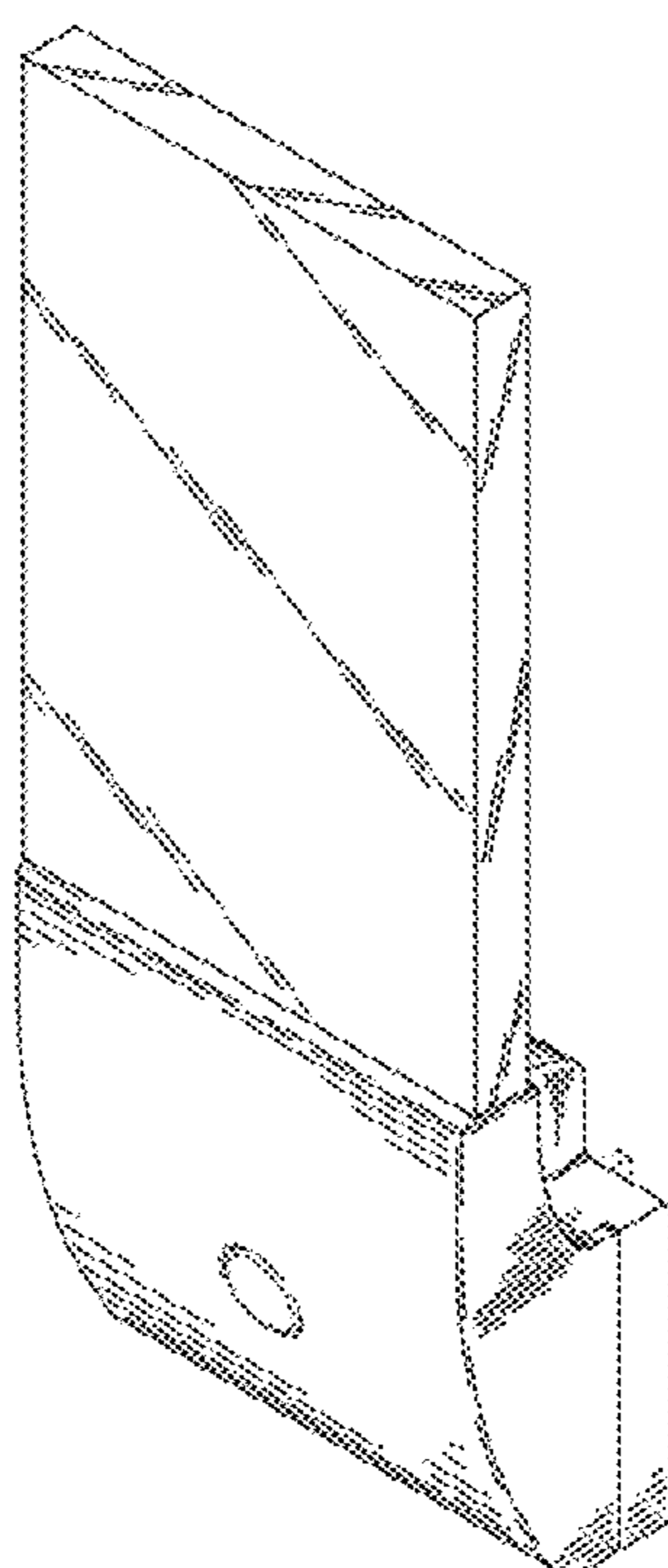
FIG. 5 is a left side view of the design. The right side view is a mirror image of the left side view.

FIG. 6 is a top view of the design; and,

FIG. 7 is a bottom view of the design.

Any broken line(s) shown are for illustrative purposes only and form no part of the claimed design.

1 Claim, 4 Drawing Sheets



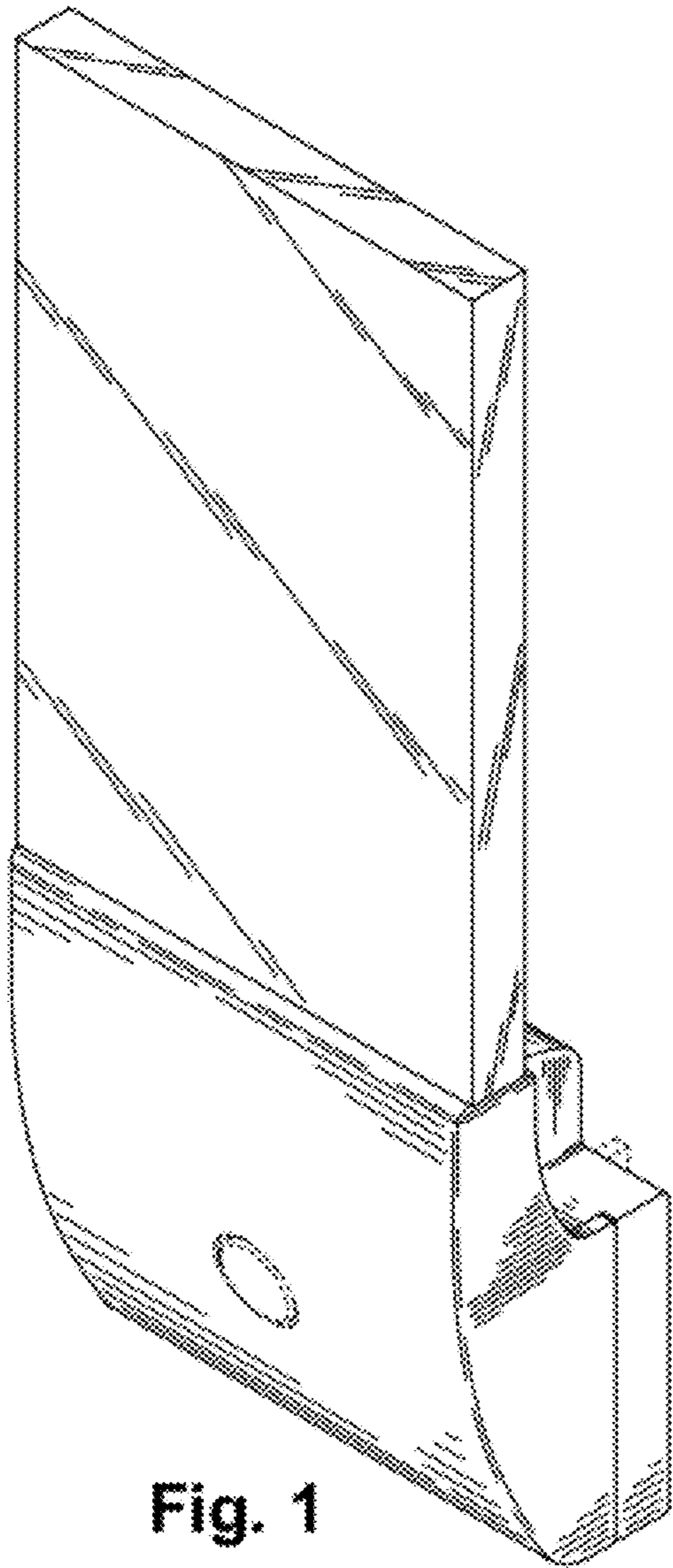


Fig. 1

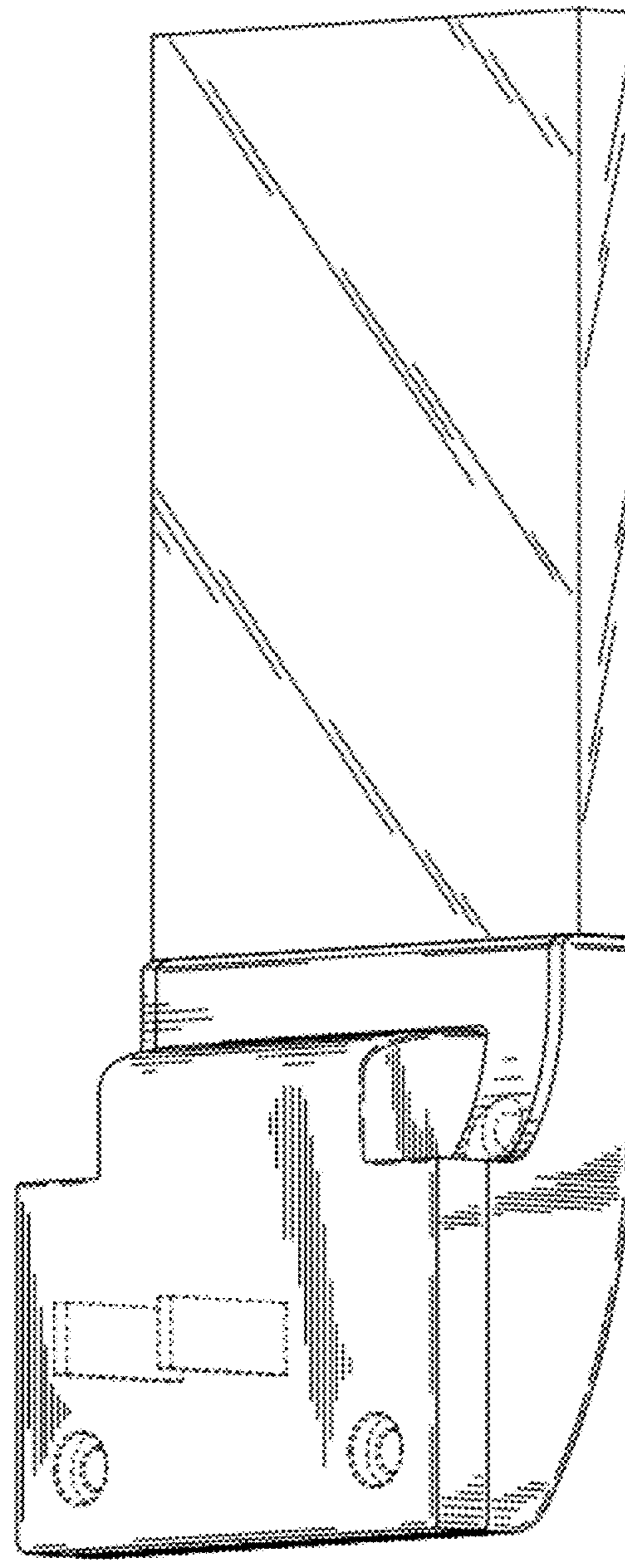


Fig. 2

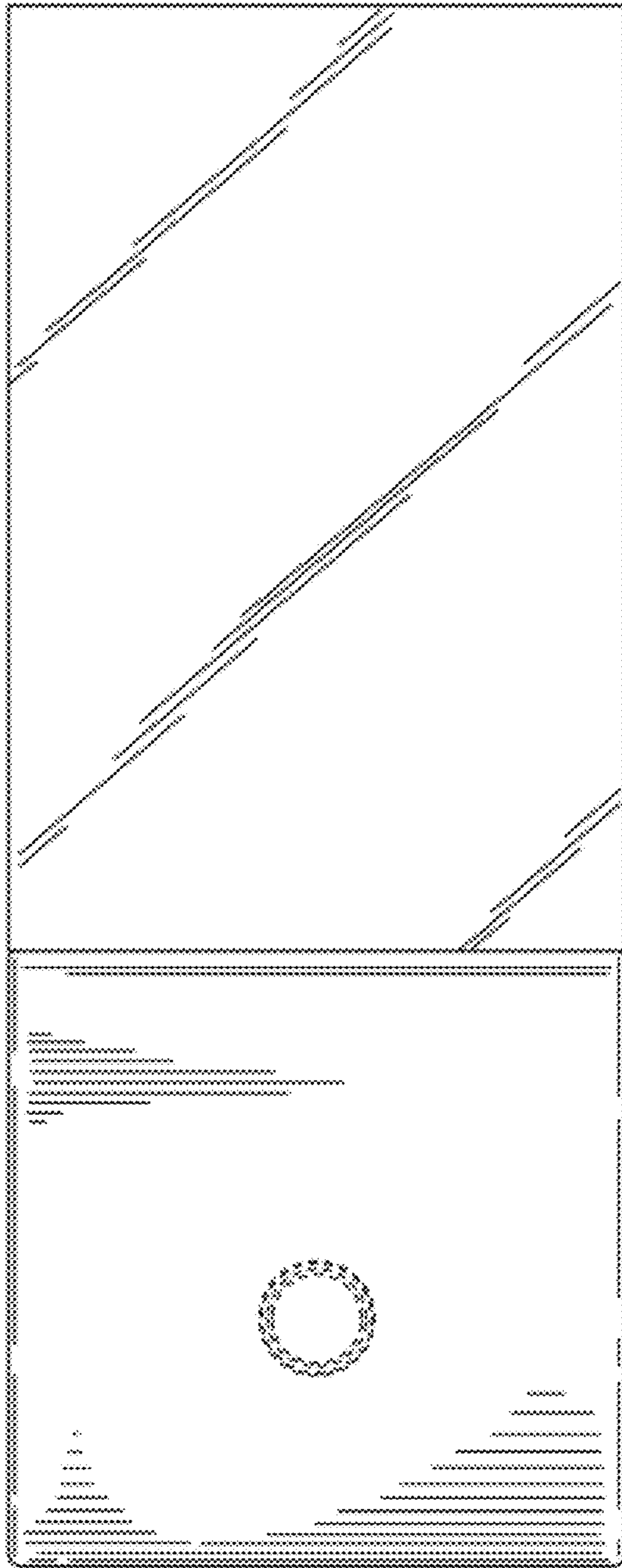


Fig. 3

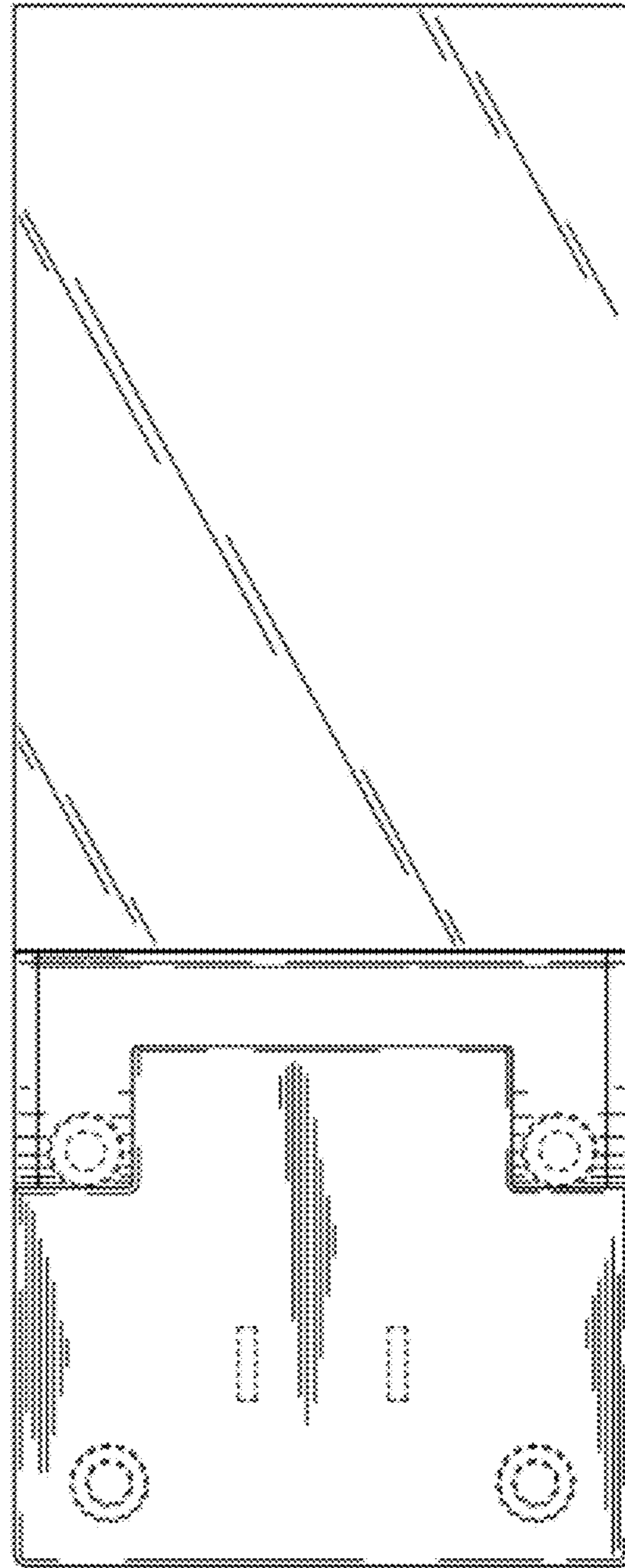


Fig. 4

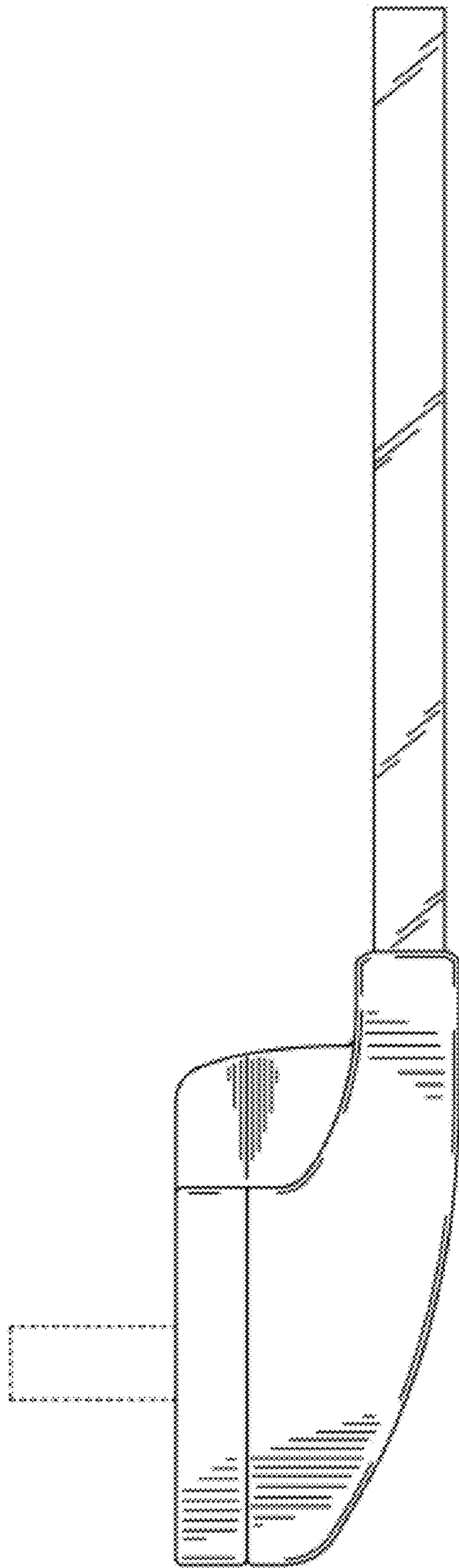


Fig. 5

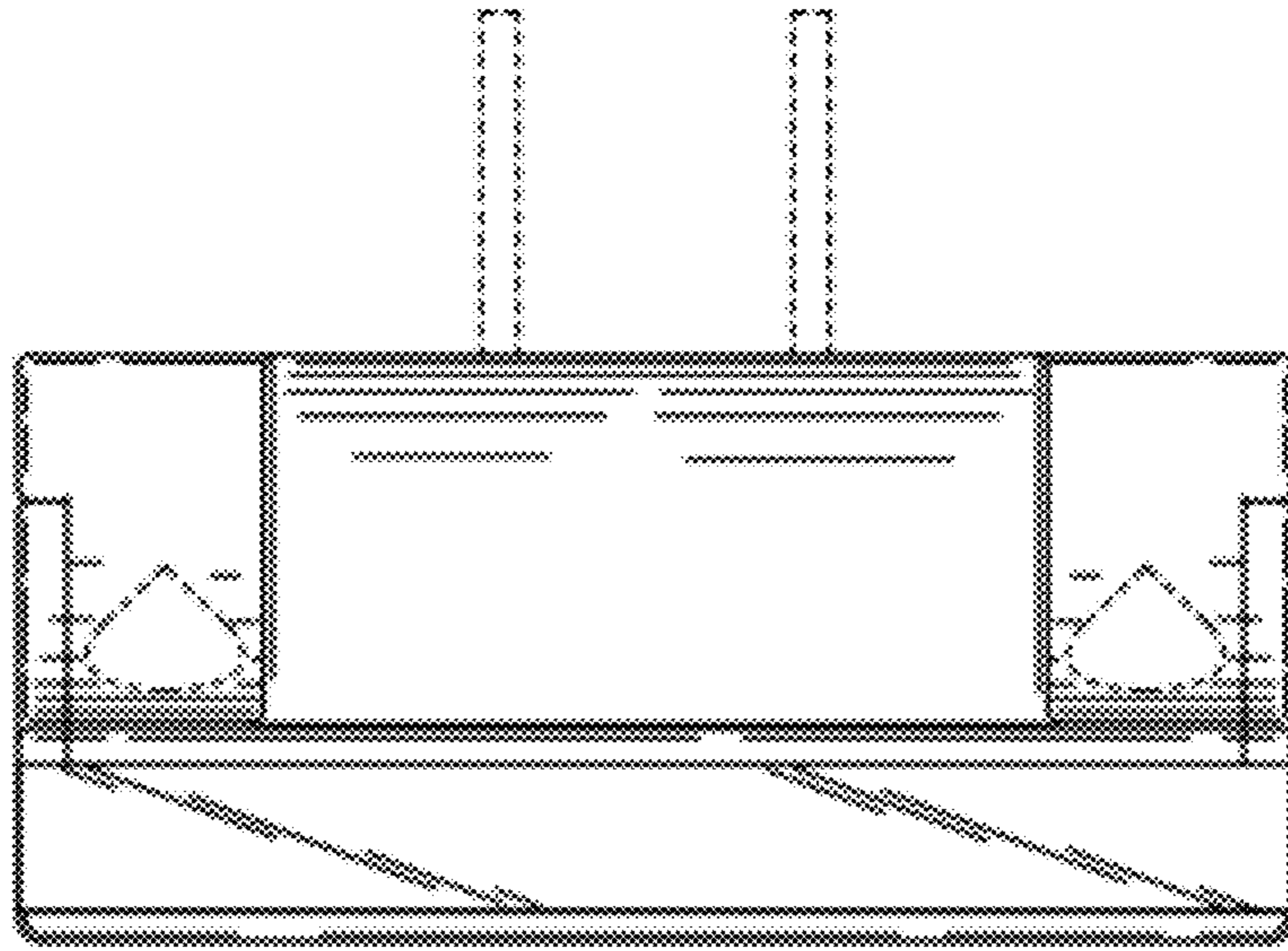


Fig. 6

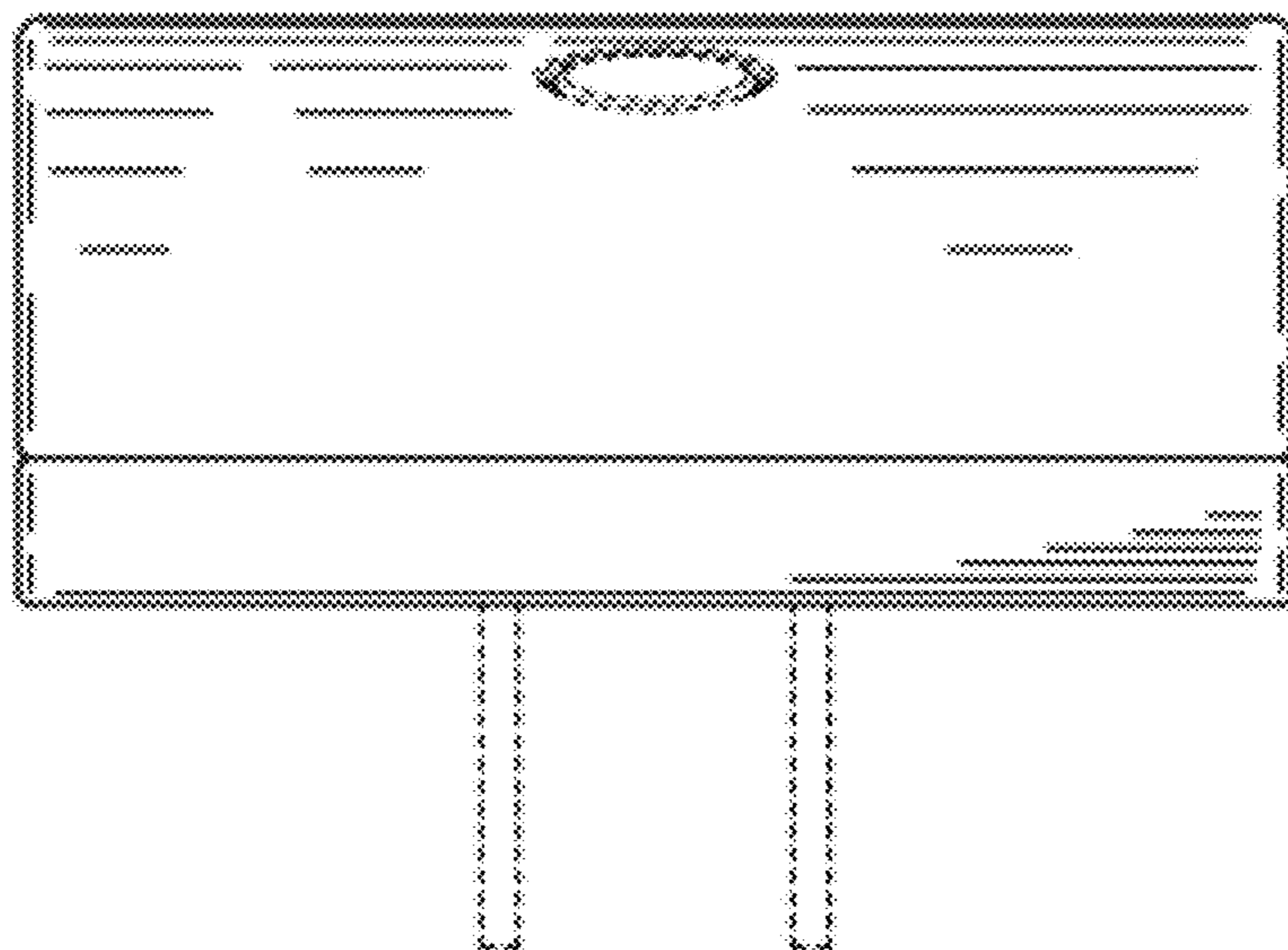


Fig. 7