

US00D678555S

(12) **United States Design Patent**
Johnson et al.

(10) **Patent No.:** **US D678,555 S**
(45) **Date of Patent:** **** Mar. 19, 2013**

(54) **POST CAP**

6,662,515 B2 * 12/2003 Buhrts et al. 52/301
D567,965 S * 4/2008 Deverson D25/135

(75) Inventors: **Kimberly Johnson**, New York, NY
(US); **Anne Stamper**, New York, NY
(US)

* cited by examiner

(73) Assignee: **Curb Allure**, New York, NY (US)

Primary Examiner — Doris Clark

(**) Term: **14 Years**

(74) *Attorney, Agent, or Firm* — Mauriel Kapouytian &
Treffert LLP; Michael Mauriel

(21) Appl. No.: **29/432,153**

(57) **CLAIM**

(22) Filed: **Sep. 13, 2012**

We claim the ornamental design for a post cap, as shown and described.

Related U.S. Application Data

DESCRIPTION

(60) Division of application No. 29/417,348, filed on Apr. 2, 2012, now Pat. No. Des. 670,006, which is a continuation of application No. 13/079,803, filed on Apr. 4, 2011.

FIG. 1 is a perspective view of a post cap.
FIG. 2 is a front view of the post cap of FIG. 1.
FIG. 3 is a right view of the post cap of FIG. 1.
FIG. 4 is a rear view of the post cap of FIG. 1.
FIG. 5 is a left view of the post cap of FIG. 1.
FIG. 6 is a top view of the post cap of FIG. 1; and,
FIG. 7 is a bottom view of the post cap of FIG. 1.
The broken lines showing environmental structure are for illustrative purposes only and form no part of the claimed design.

(51) **LOC (9) Cl.** **25-01**

(52) **U.S. Cl.** **D25/135**

(58) **Field of Classification Search** D25/135;
256/65.01; D26/67, 68; 52/300, 301
See application file for complete search history.

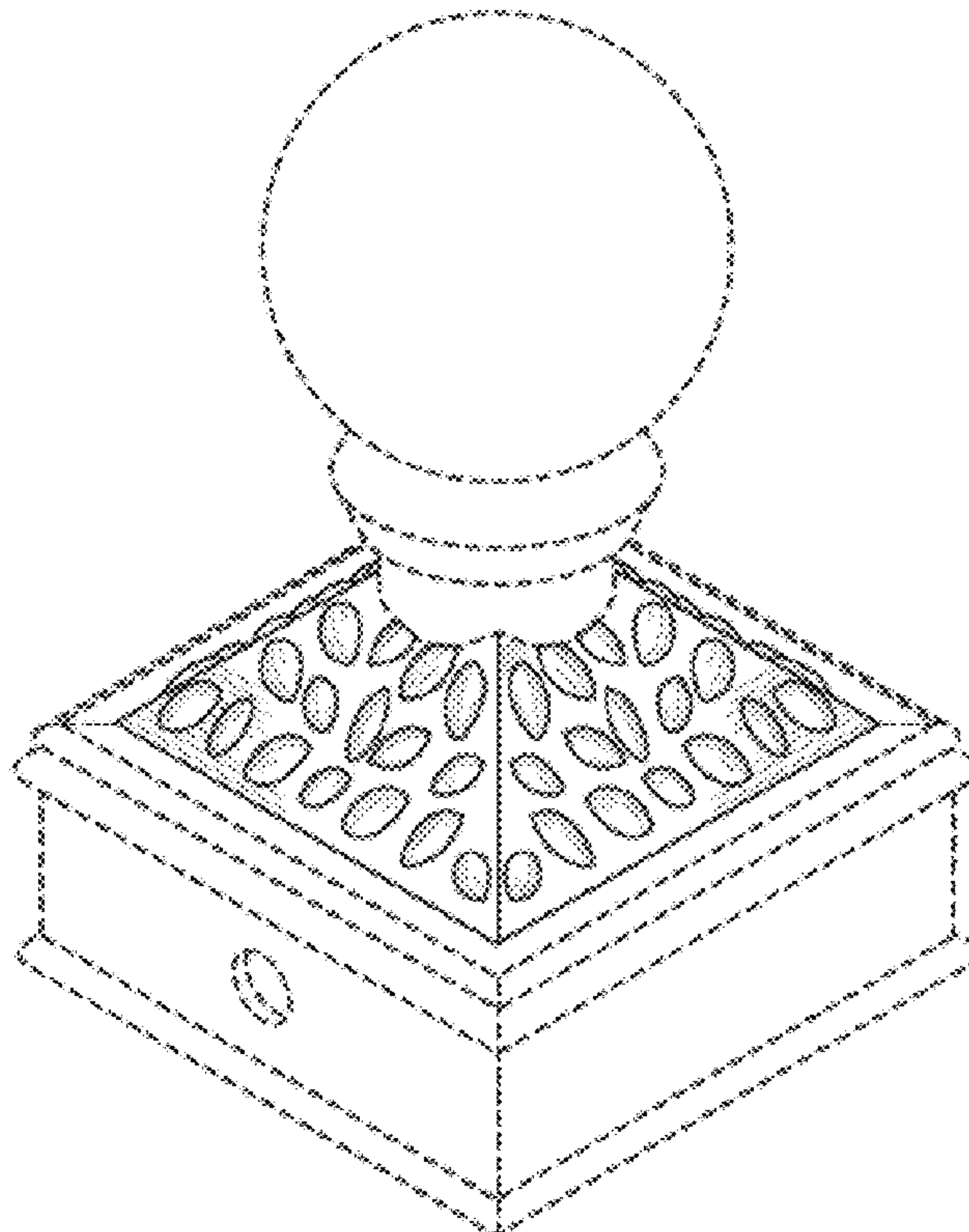
A post cap is used as part of post for an outdoor fence such as, for example, a tree guard or any type of fence enclosing plants or other vegetation.

(56) **References Cited**

U.S. PATENT DOCUMENTS

D458,390 S * 6/2002 Ohanesian D25/135

1 Claim, 6 Drawing Sheets



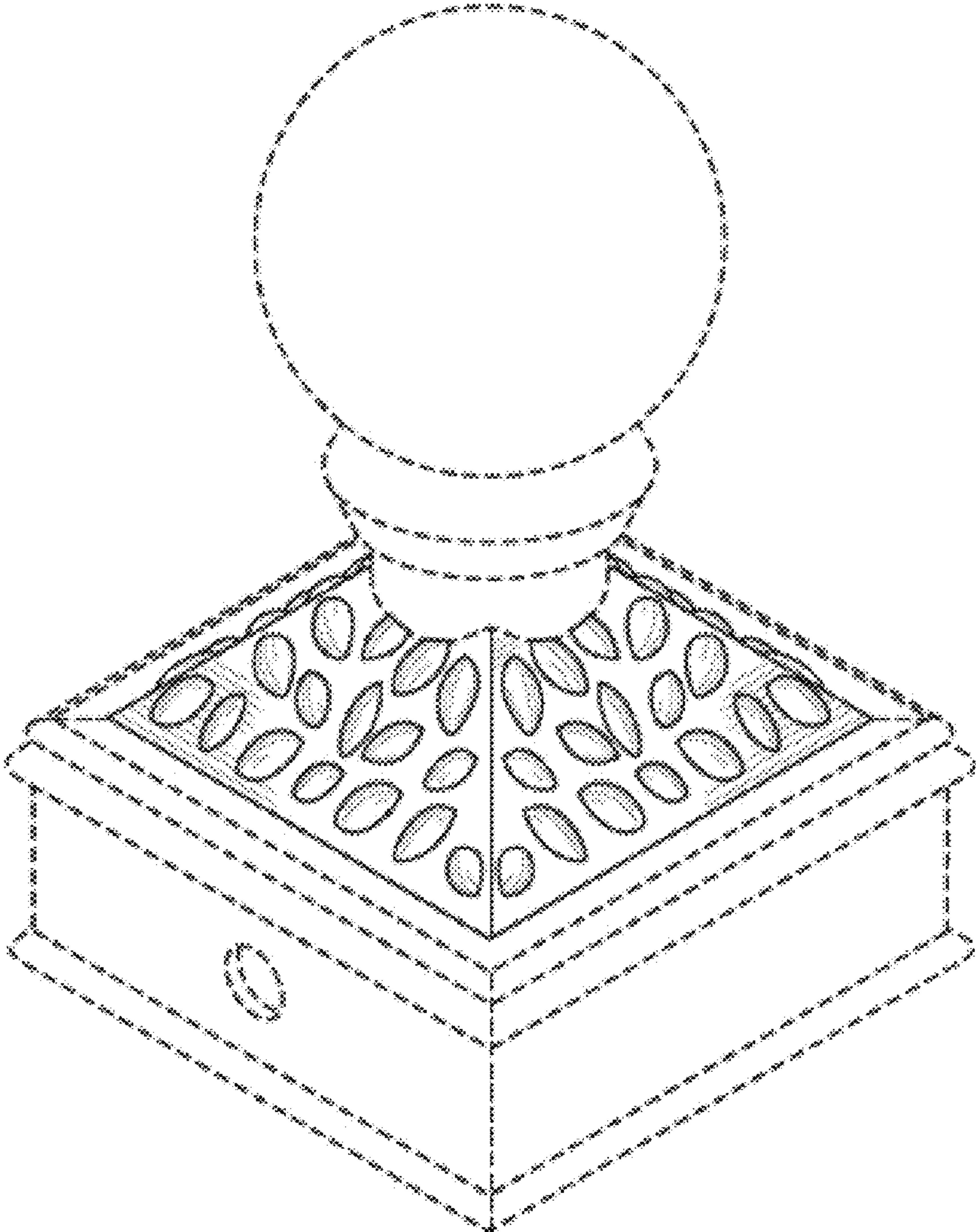


FIG. 1

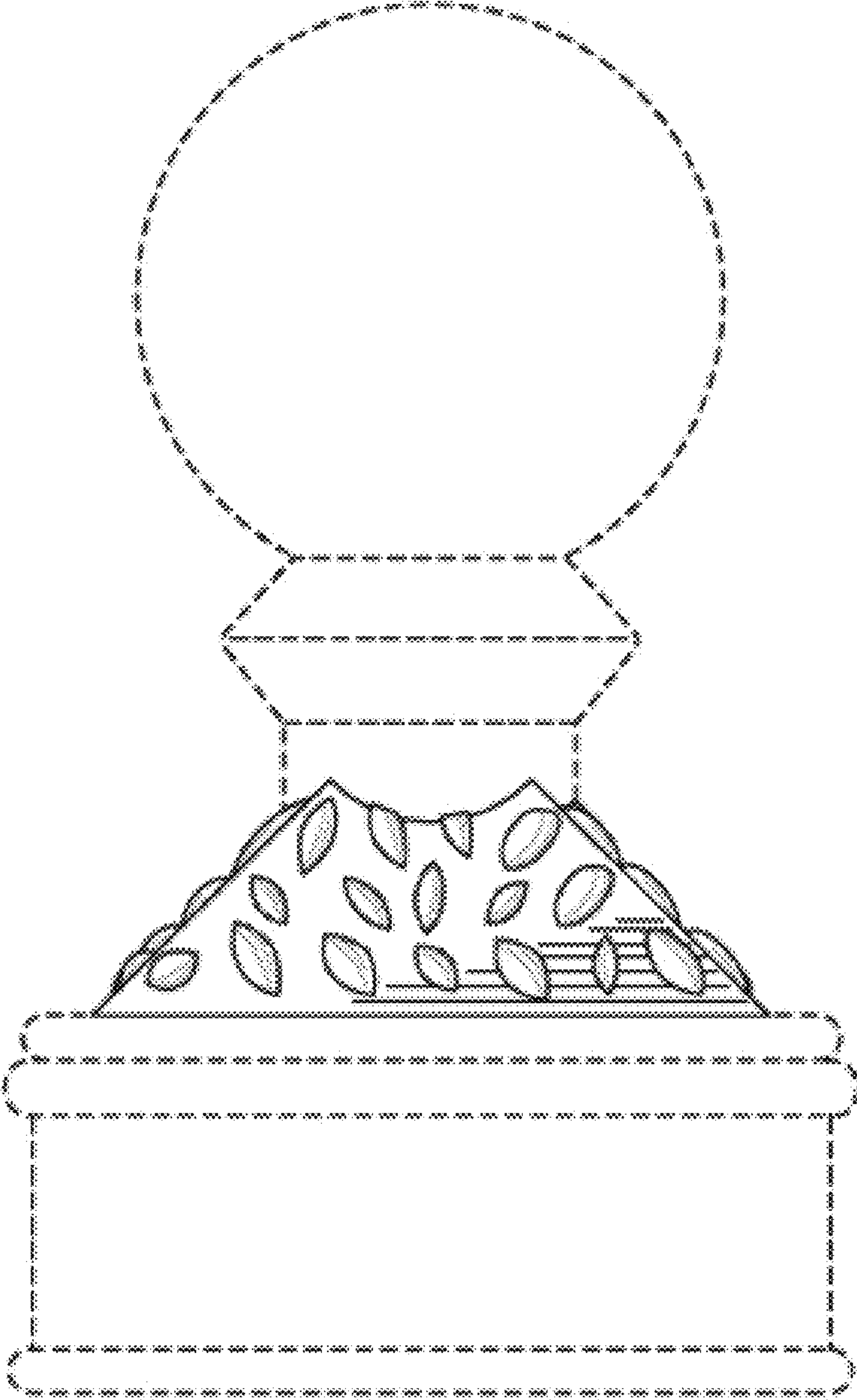


FIG. 2

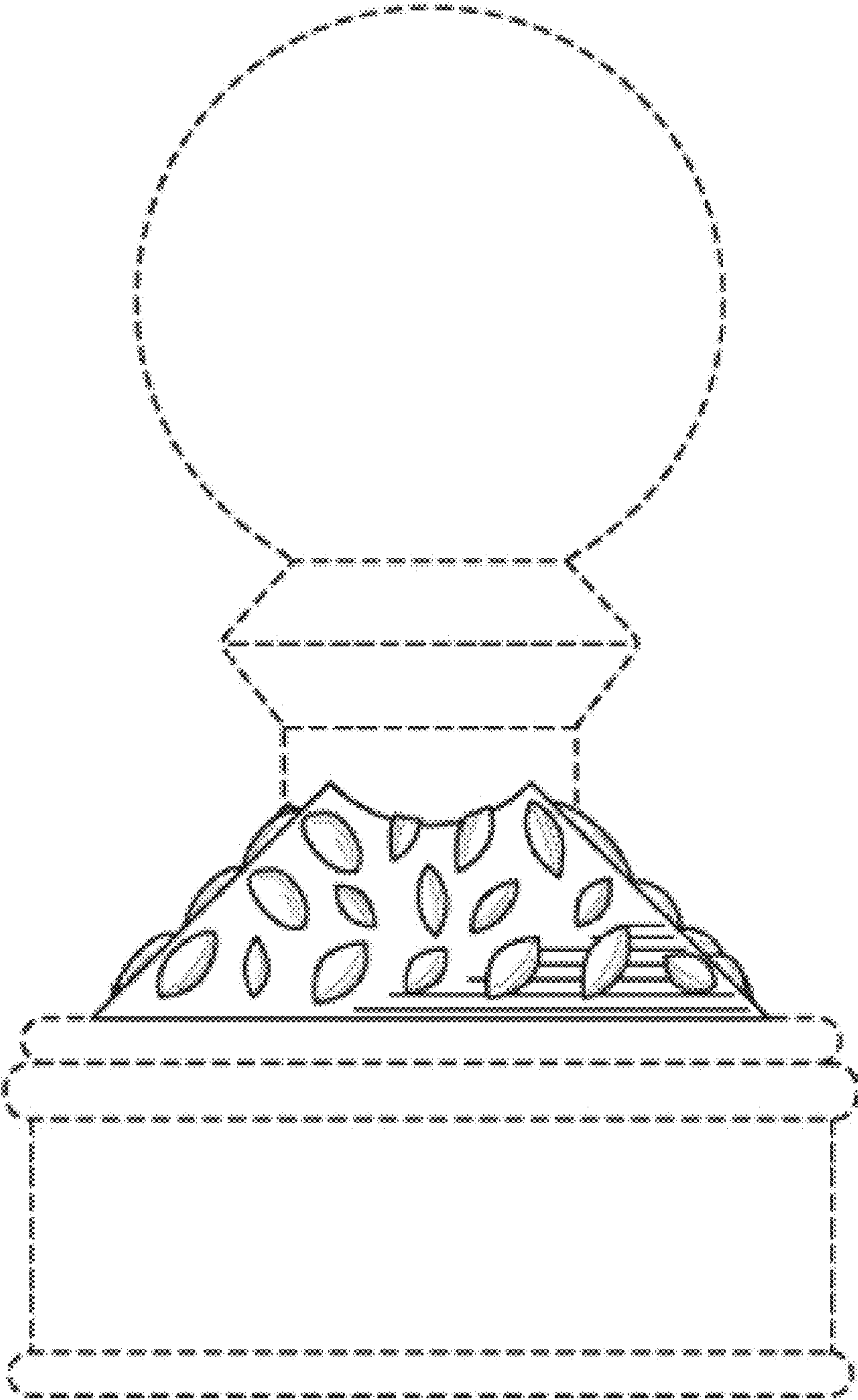


FIG. 3

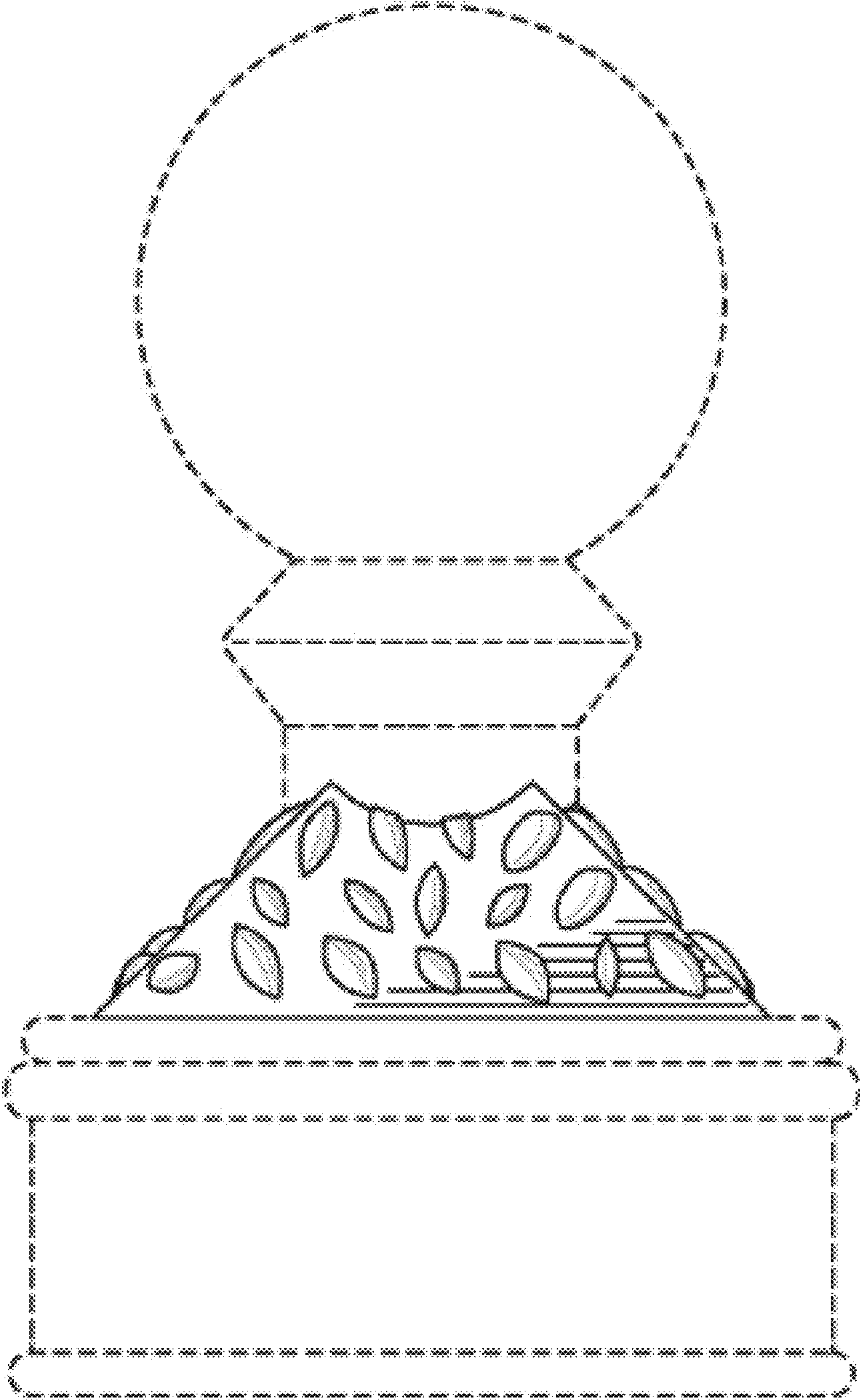


FIG. 4

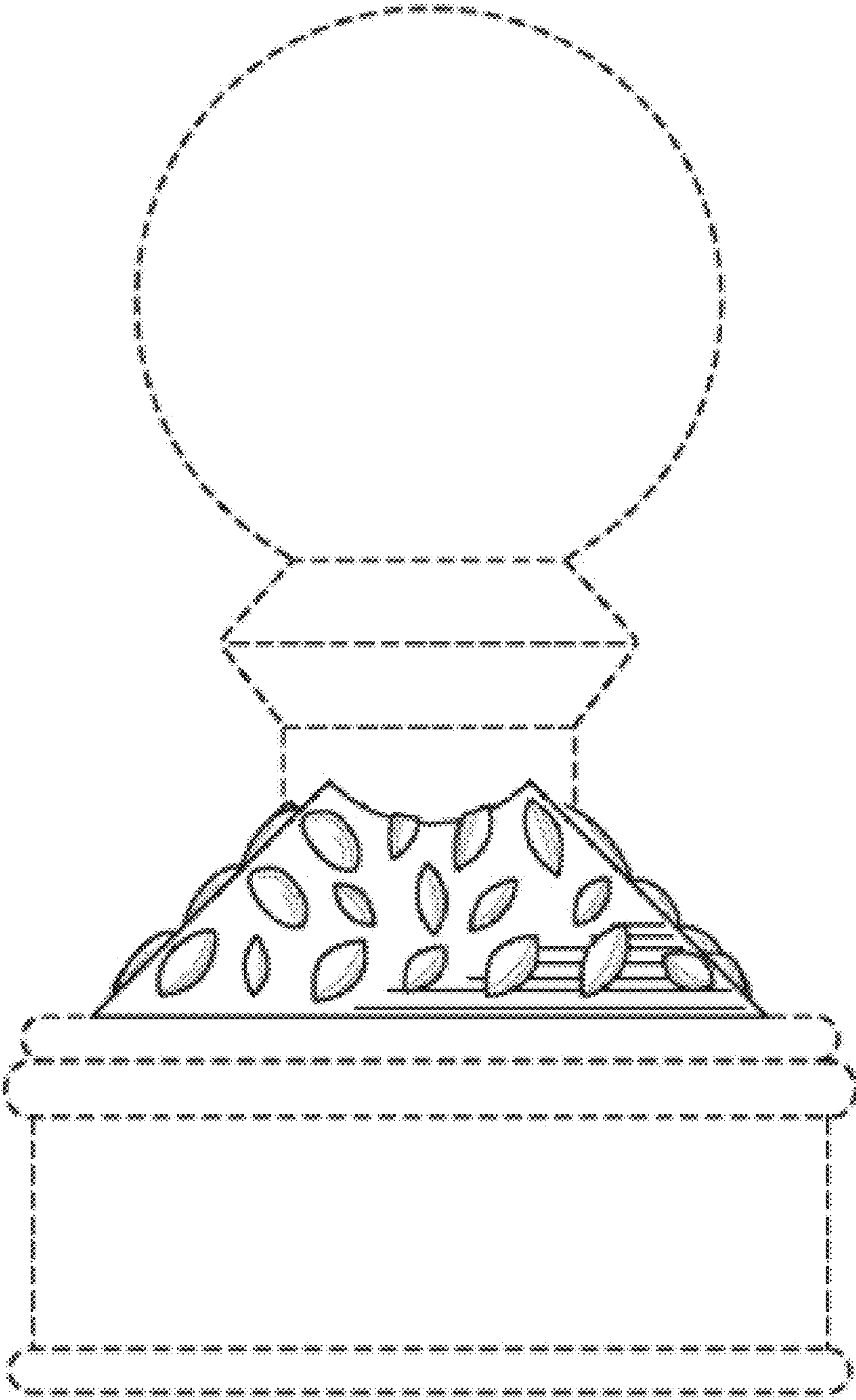


FIG. 5

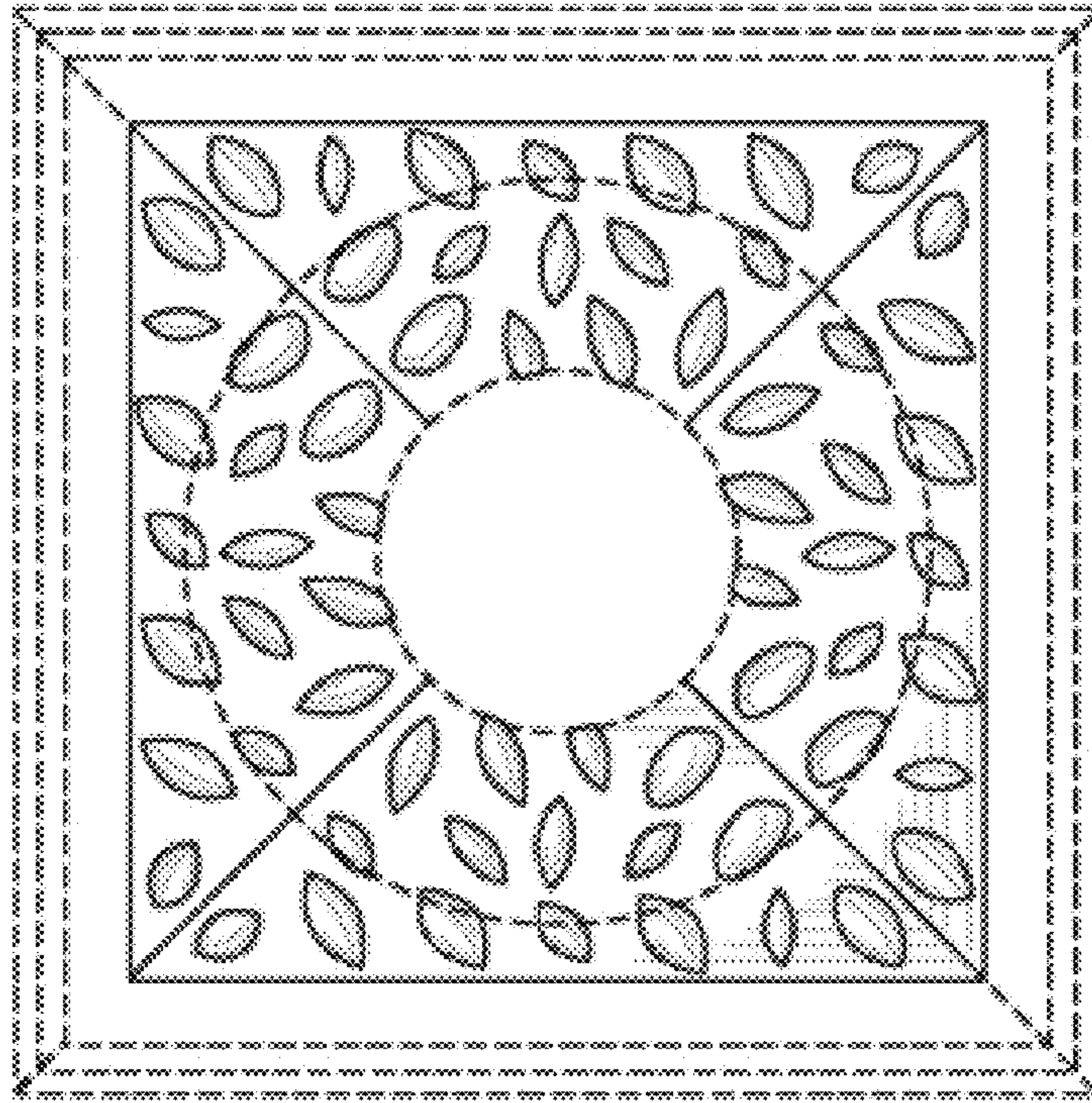


FIG. 6

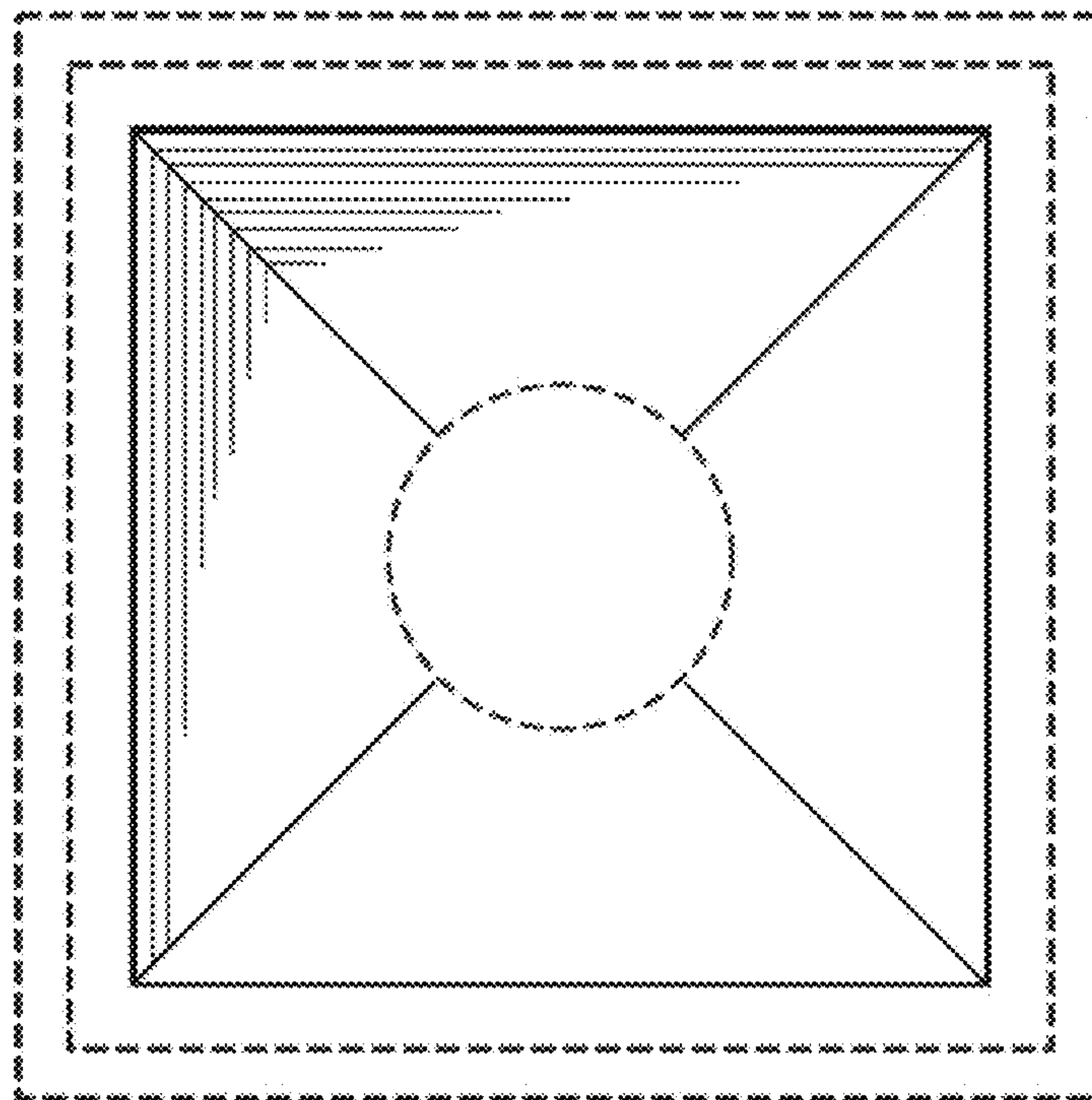


FIG. 7