



US00D678554S

(12) **United States Design Patent**  
**Tidemann**

(10) **Patent No.:** **US D678,554 S**  
(45) **Date of Patent:** **\*\* Mar. 19, 2013**

(54) **TELESCOPIC POLE**

D653,774 S \* 2/2012 Kubota ..... D25/126

(75) Inventor: **Trond Tidemann**, Rognan (NO)

\* cited by examiner

(73) Assignee: **Hepro AS**, Rognan (NO)

*Primary Examiner* — Doris Clark

(\*\*) Term: **14 Years**

(74) *Attorney, Agent, or Firm* — Alan Kamrath; Kamrath IP Lawfirm, P.A.

(21) Appl. No.: **29/407,284**

(57) **CLAIM**

The ornamental design for a telescopic pole, as shown and described.

(22) Filed: **Nov. 28, 2011**

**DESCRIPTION**

(51) **LOC (9) Cl.** ..... **25-01**

(52) **U.S. Cl.** ..... **D25/126**

(58) **Field of Classification Search** ..... D25/126;  
52/651.07, 169.13, 170, 299, 126.6; 256/65.02;  
405/294

See application file for complete search history.

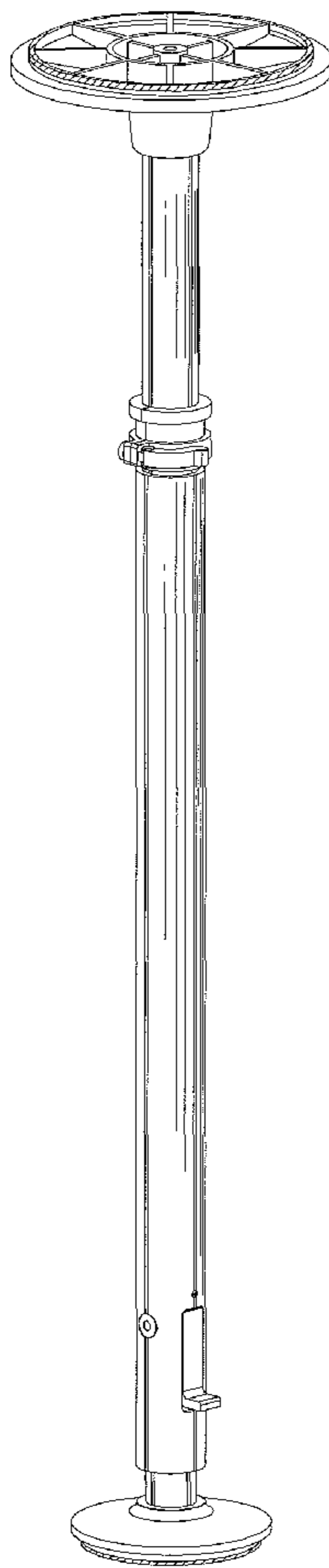
FIG. 1 is a perspective view of a telescopic pole showing my design;  
FIG. 2 is a front elevational view thereof;  
FIG. 3 is a rear elevational view thereof;  
FIG. 4 is a left side elevational view thereof;  
FIG. 5 is a right side elevational view thereof;  
FIG. 6 is a top plan view thereof;  
FIG. 7 is a bottom plan view thereof; and,  
FIG. 8 is a perspective view thereof, but shown a pedal of the telescopic pole in an operated position. The pedal shown in broken lines is included to show the telescopic pole in use and forms no part of the claimed design.

(56) **References Cited**

**U.S. PATENT DOCUMENTS**

4,685,258	A *	8/1987	Av-Zuk	.....	52/126.6
6,349,512	B1 *	2/2002	Berkey et al.	.....	52/126.6
6,363,685	B1 *	4/2002	Kugler	.....	52/745.05
D648,447	S *	11/2011	Sims	.....	D25/126

**1 Claim, 7 Drawing Sheets**



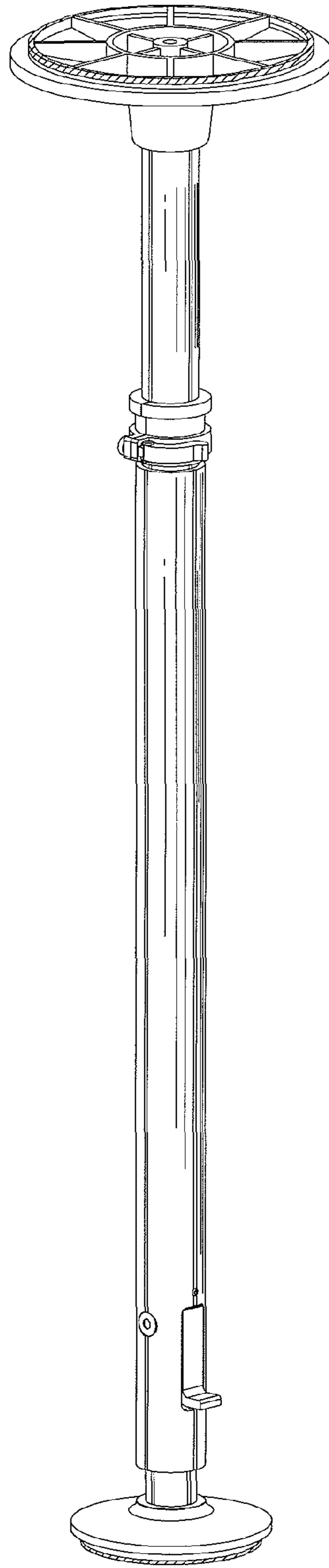


FIG. 1

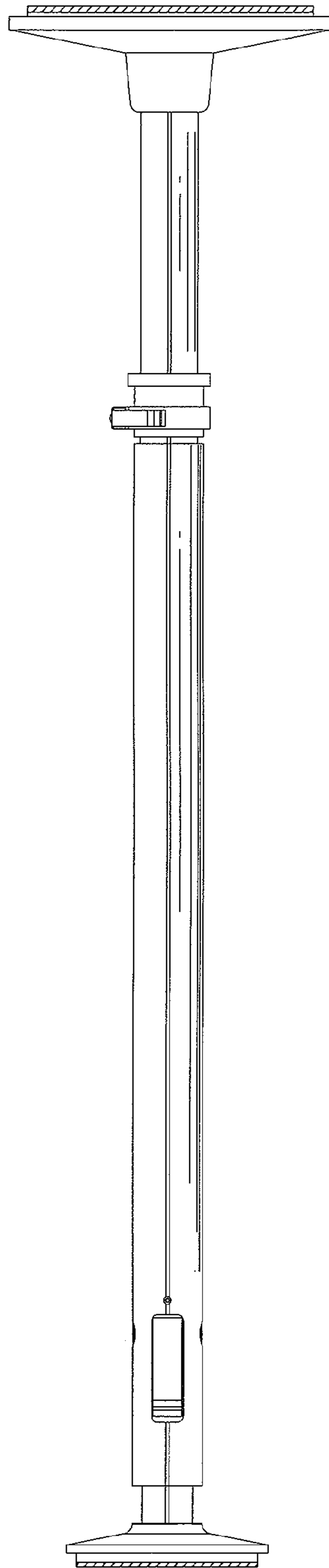


FIG. 2

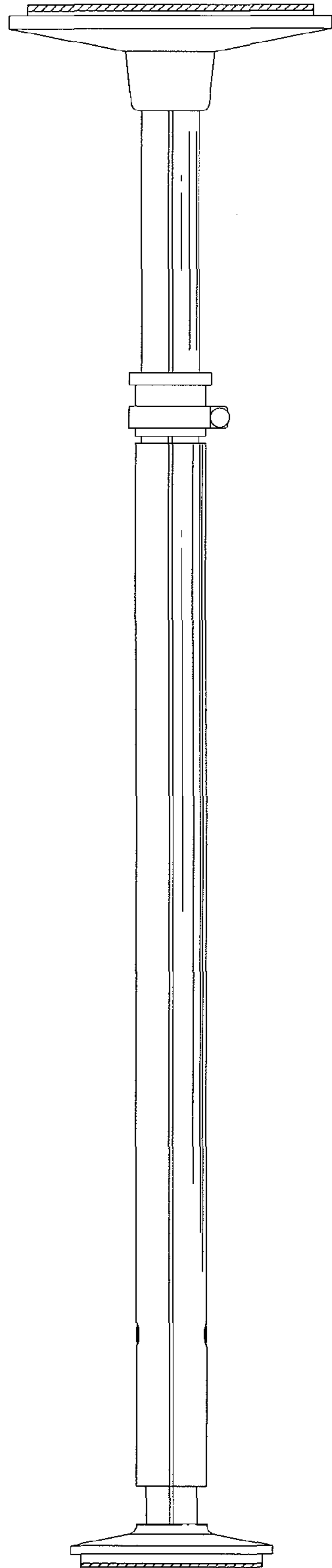


FIG. 3

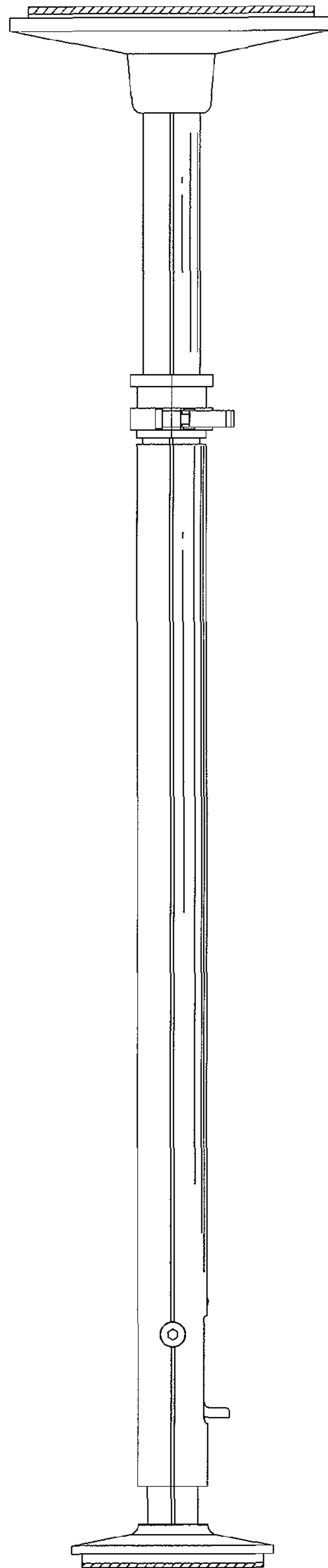


FIG. 4

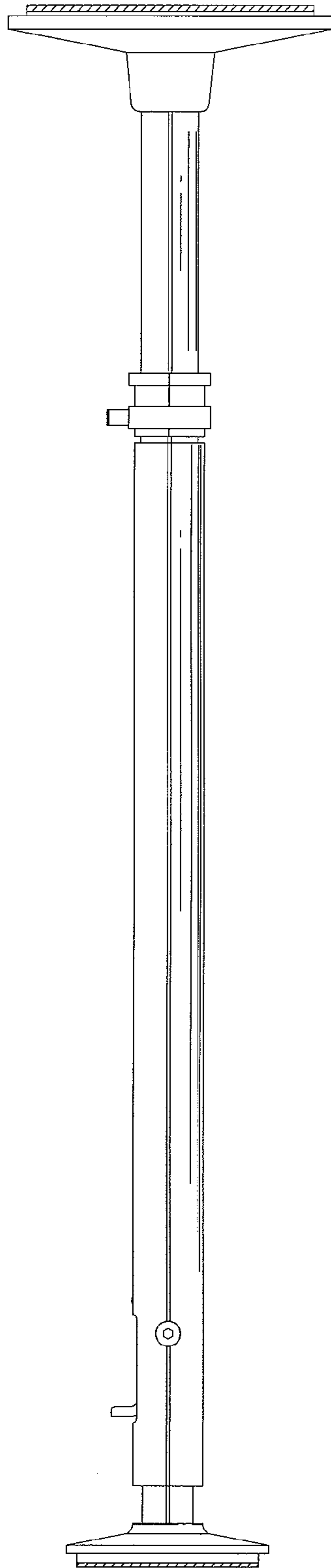


FIG. 5

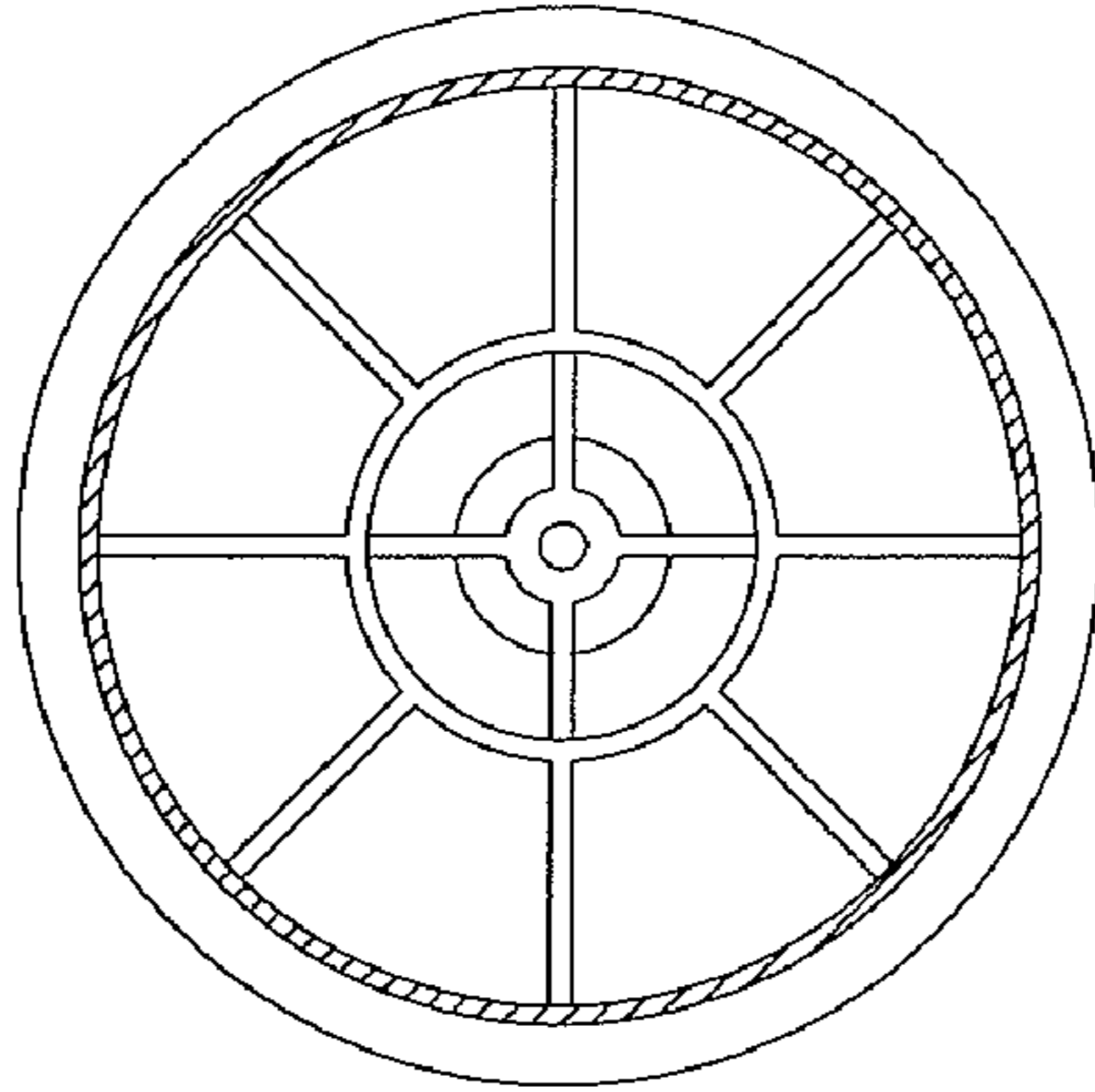


FIG. 6

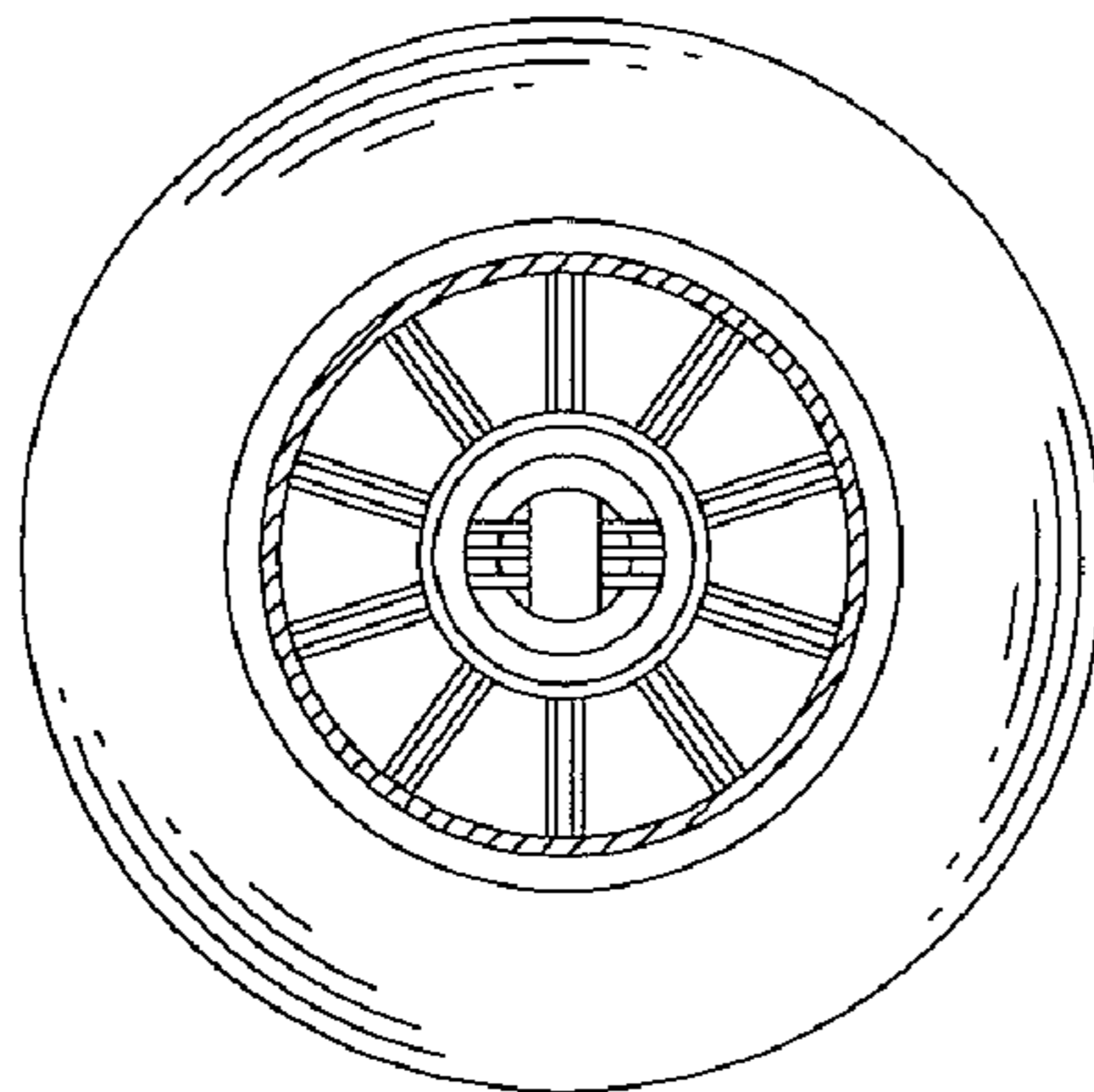


FIG. 7

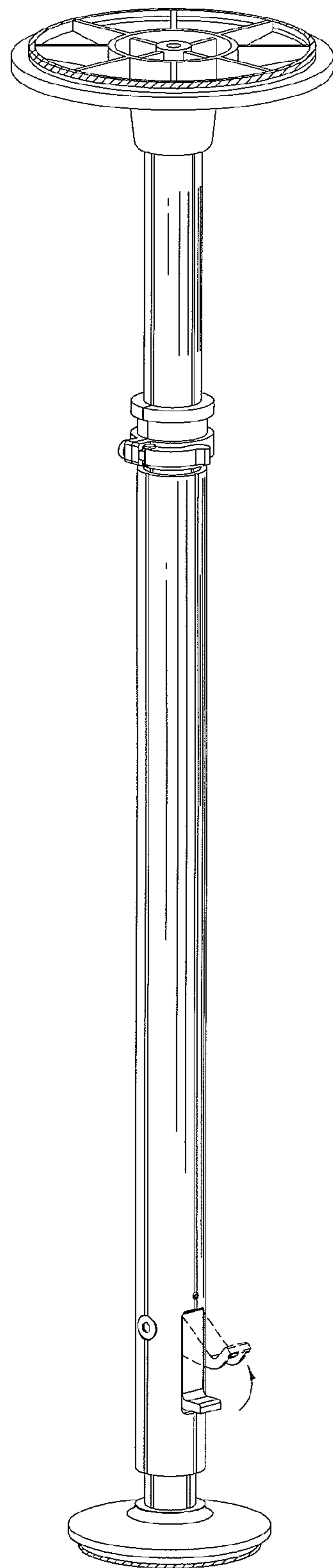


FIG. 8