



US00D678553S

(12) **United States Design Patent**
Hammer

(10) **Patent No.:** **US D678,553 S**
(45) **Date of Patent:** **** Mar. 19, 2013**

(54) **WALL BLOCK**

RE34,314 E 7/1993 Forsberg
(Continued)

(75) Inventor: **James E. Hammer**, University Place,
WA (US)

FOREIGN PATENT DOCUMENTS

(73) Assignee: **Westblock Development, LLC**,
University Place, WA (US)

AT 4473 U1 7/2001
EP 0170113 A1 2/1986
(Continued)

(**) Term: **14 Years**

OTHER PUBLICATIONS

(21) Appl. No.: **29/427,020**

U.S. Appl. No. 29/387,385, filed Mar. 11, 2011, James E. Hammer.

(22) Filed: **Jul. 12, 2012**

(Continued)

Related U.S. Application Data

Primary Examiner — Anhdao Doan

(62) Division of application No. 29/407,949, filed on Dec. 5, 2011, now Pat. No. Des. 665,928, which is a division of application No. 29/394,805, filed on Jun. 21, 2011, now Pat. No. Des. 652,155.

(74) *Attorney, Agent, or Firm* — Klarquist Sparkman, LLP

(51) **LOC (9) Cl.** **25-01**

(57) **CLAIM**

I claim the ornamental design for a wall block, as shown and described.

(52) **U.S. Cl.** **D25/113**

DESCRIPTION

(58) **Field of Classification Search** D25/102–118,
D25/136, 138, 140, 151, 152, 153, 156–162,
D25/164; D21/484–491, 499–504; 405/16,
405/284, 286; 52/503–505, 574, 575, 596–612;
404/27–42

FIG. 1 is a perspective view of a wall block according to a first embodiment, as viewed from the front, top, and one side of the block.

See application file for complete search history.

FIG. 2 is a side elevation view of the block of FIG. 1, the opposite side being a mirror image thereof.

(56) **References Cited**

U.S. PATENT DOCUMENTS

378,356 A	2/1888	Cohen
1,385,299 A	7/1921	Bilque
1,727,363 A	9/1929	Bone
2,225,612 A	12/1940	Allen
2,235,646 A	3/1941	Schaffer
2,963,828 A	12/1960	Belliveau
3,036,407 A	5/1962	Dixon
3,609,926 A	10/1971	Muse
3,936,987 A	2/1976	Calvin
4,016,693 A	4/1977	Warren
4,110,949 A	9/1978	CambiuZZi et al.
4,228,628 A	10/1980	Schlomann
4,524,551 A	6/1985	Scheiwiller
D319,885 S	9/1991	Blomquist et al.
5,161,918 A	11/1992	Hoel

FIG. 3 is a front elevation view of the block of FIG. 1, the rear elevation view being a mirror image thereof.

FIG. 4 is a top plan view of the block of FIG. 1.

FIG. 5 is a bottom plan view of the block of FIG. 1.

FIG. 6 is a perspective view of a wall block according to a second embodiment, as viewed from the front, top, and one side of the block.

FIG. 7 is a side elevation view of the block of FIG. 6, the opposite side being a mirror image thereof.

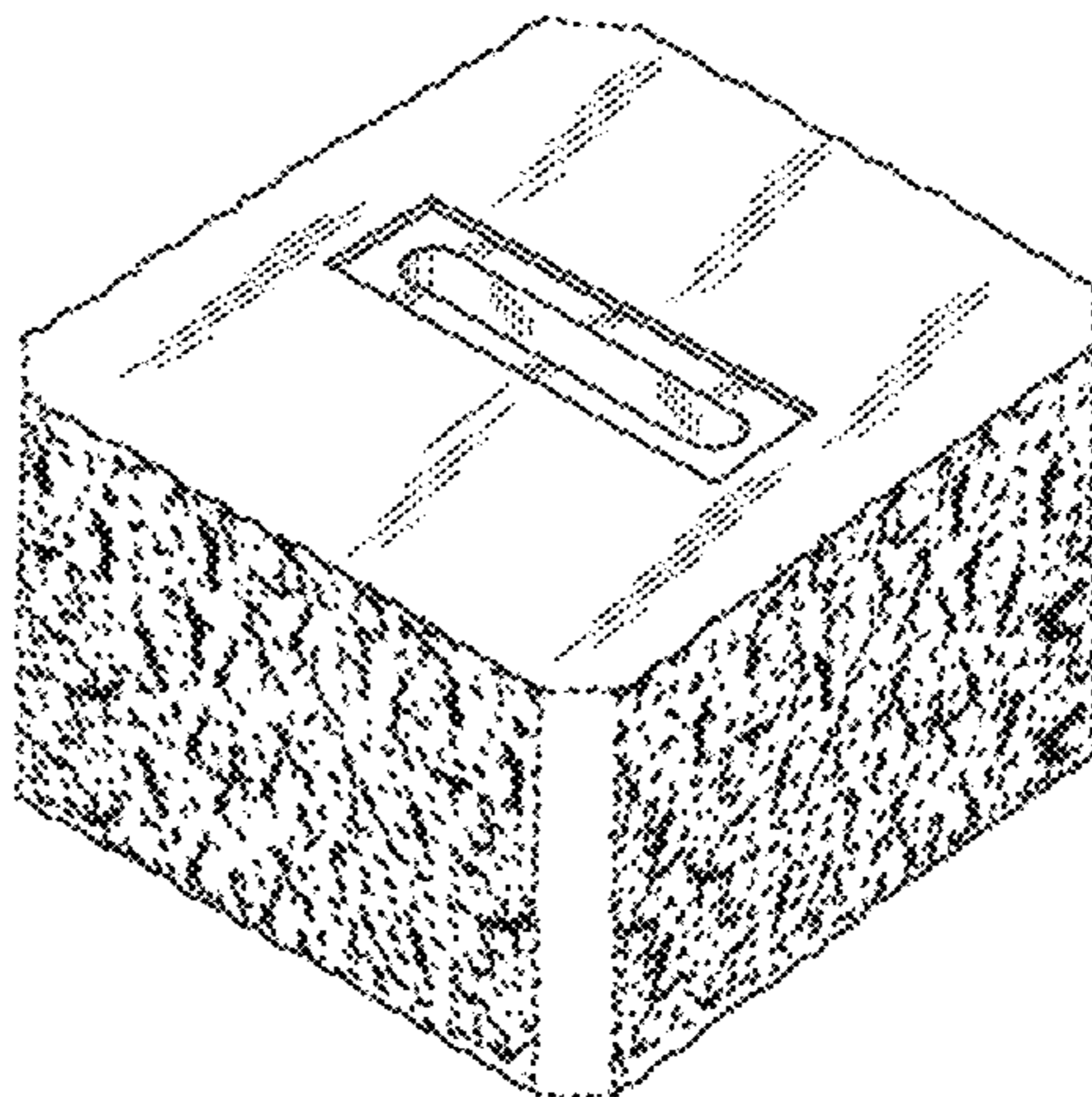
FIG. 8 is a front elevation view of the block of FIG. 6, the rear elevation view being a mirror image thereof.

FIG. 9 is a top plan view of the block of FIG. 6; and,

FIG. 10 is a bottom plan view of the block of FIG. 6.

The dashed lines in the drawings represent unclaimed portions of the design.

1 Claim, 4 Drawing Sheets



US D678,553 S

Page 2

U.S. PATENT DOCUMENTS

5,257,880 A 11/1993 Janopaul, Jr.
D345,426 S 3/1994 Anderson et al.
D347,070 S 5/1994 Anderson et al.
5,417,523 A 5/1995 Scales
5,537,796 A 7/1996 Kliethermes, Jr.
5,540,525 A 7/1996 Miller et al.
5,595,460 A 1/1997 Miller et al.
5,622,456 A 4/1997 Risi et al.
D389,201 S * 1/1998 Redler D21/500
5,711,130 A 1/1998 Shatley
5,816,749 A 10/1998 Bailey, II
5,848,511 A 12/1998 Scales
5,858,511 A 1/1999 Lisowsky
5,984,589 A 11/1999 Ciccarello
6,019,550 A 2/2000 Wrigley et al.
6,024,517 A 2/2000 Castonguay et al.
6,035,599 A 3/2000 Sonnentag
6,115,983 A 9/2000 Poignard
6,149,352 A 11/2000 MacDonald
6,178,715 B1 1/2001 Pacitto et al.
D452,332 S 12/2001 Blomquist et al.
6,488,448 B1 12/2002 Blomquist et al.
6,615,561 B2 9/2003 MacDonald et al.
6,637,981 B2 10/2003 MacDonald
6,827,527 B2 12/2004 Conkel et al.
6,854,231 B2 2/2005 MacDonald et al.
6,893,192 B2 5/2005 MacDonald
6,912,823 B2 7/2005 MacDonald et al.

6,960,048 B2 11/2005 Blomquist et al.
7,096,634 B2 8/2006 Dean, Jr.
7,328,537 B2 2/2008 Hammer
7,503,729 B2 3/2009 Hammer et al.
7,743,574 B2 6/2010 Tufts et al.
D620,135 S 7/2010 Adam
D652,155 S 1/2012 Hammer
D667,138 S * 9/2012 Rainey D25/113
2002/0001509 A1 1/2002 Hong
2002/0083657 A1 7/2002 Mattox et al.
2003/0002925 A1 1/2003 Blomquist et al.
2003/0070383 A1 4/2003 Heinle
2005/0102949 A1 5/2005 Whitson
2006/0201082 A1 9/2006 Hammer et al.
2008/0193227 A1 8/2008 Lewis
2008/0277561 A1 11/2008 MacDonald

FOREIGN PATENT DOCUMENTS

EP 0498140 A1 8/1992
FR 2.216.823 8/1974
FR 2696201 4/1994
GB 2127872 A 4/1984
WO WO 01/57333 8/2001

OTHER PUBLICATIONS

U.S. Appl. No. 29/387,3868, filed Mar. 11, 2011, James E. Hammer.
U.S. Appl. No. 29/387,387, filed Mar. 11, 2011, James. E. Hammer.

* cited by examiner

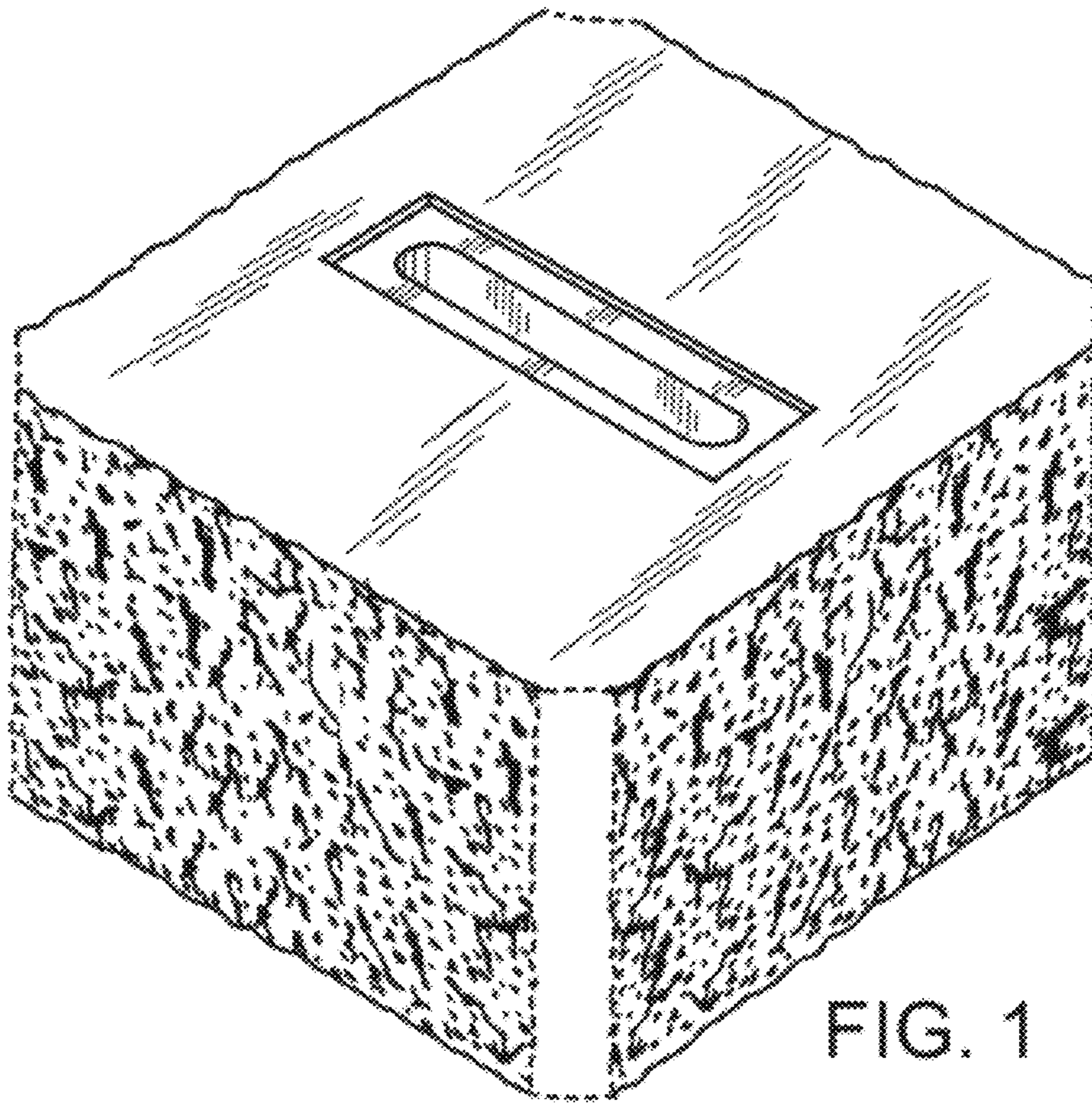


FIG. 1

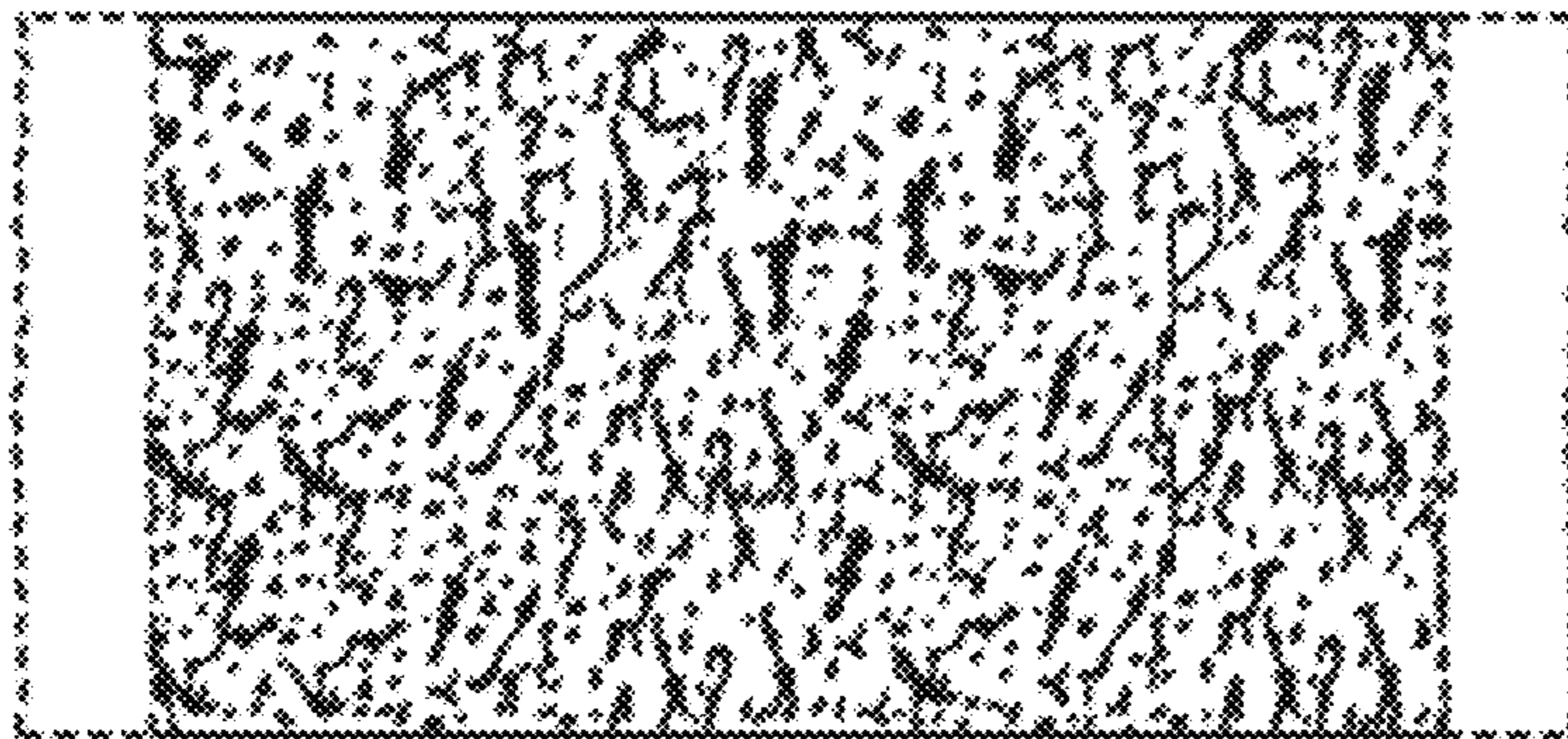


FIG. 2

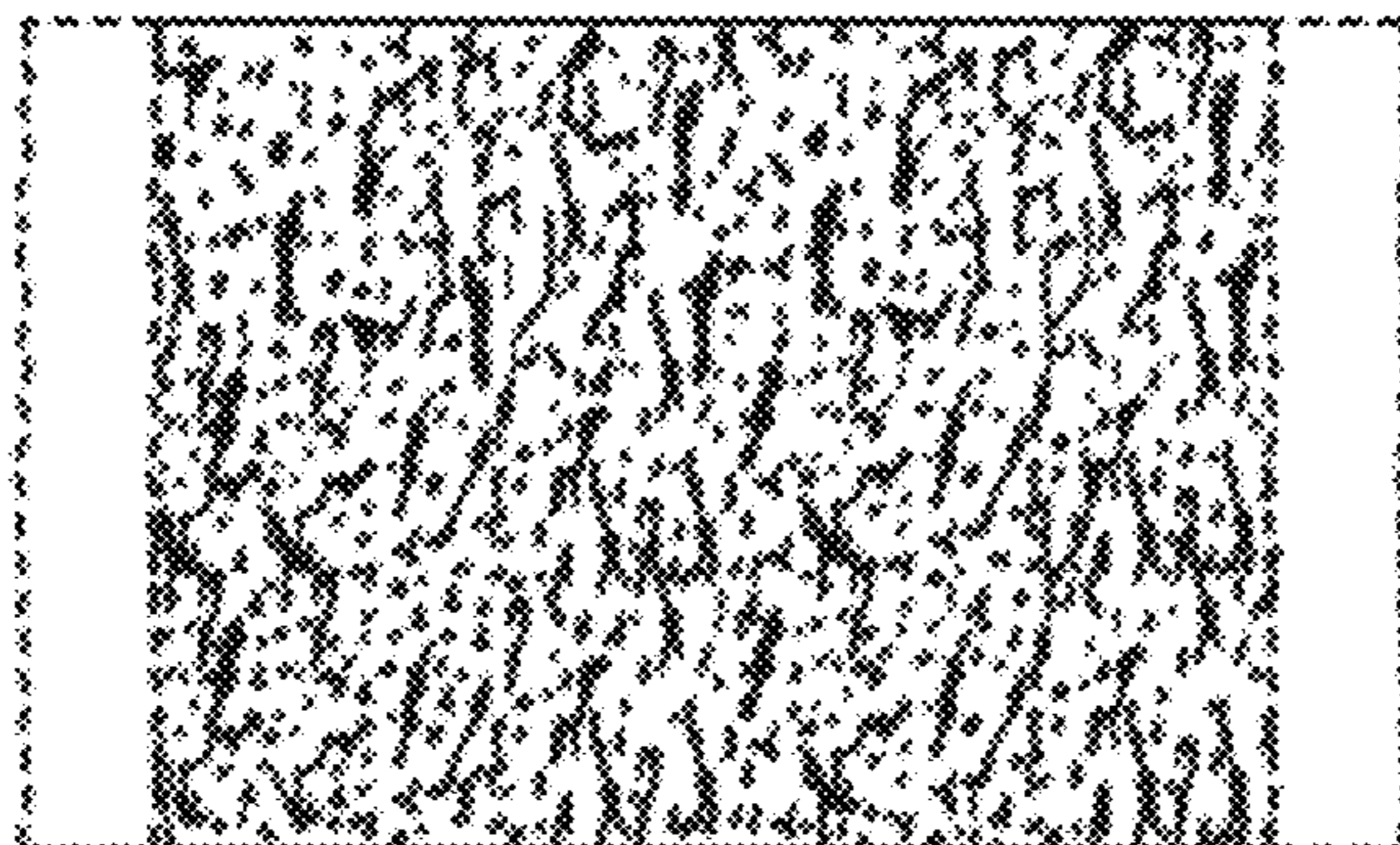


FIG. 3

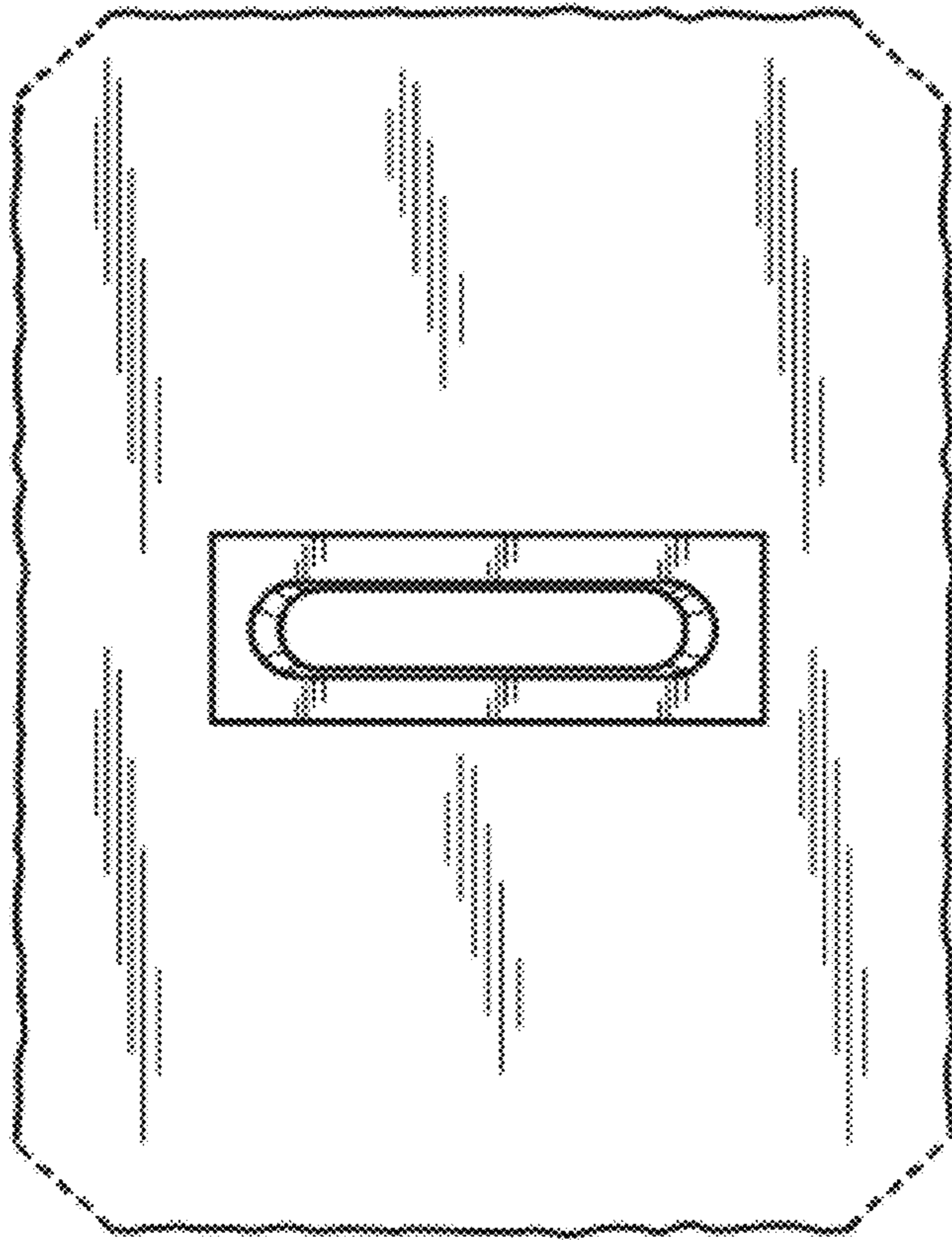


FIG. 4

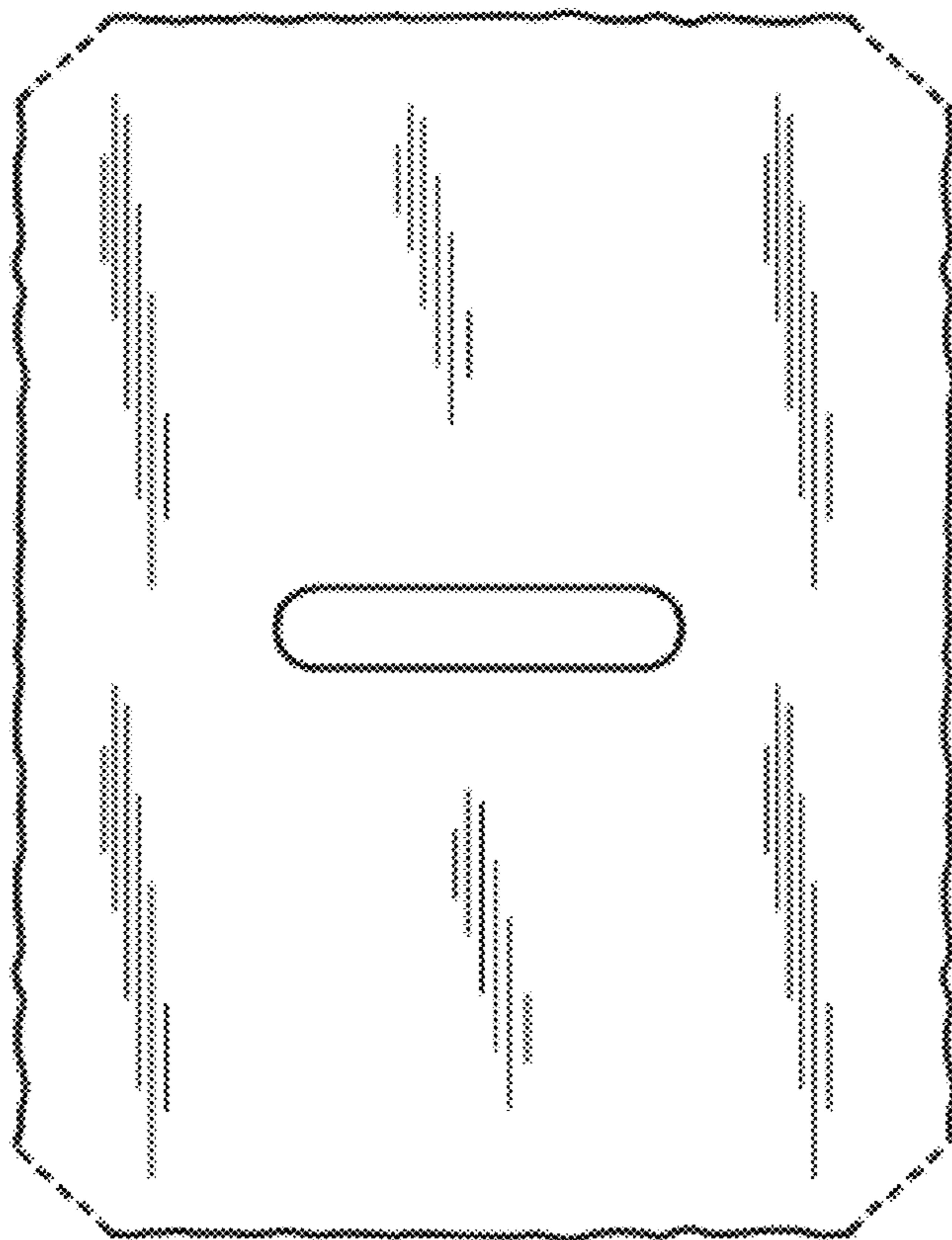


FIG. 5

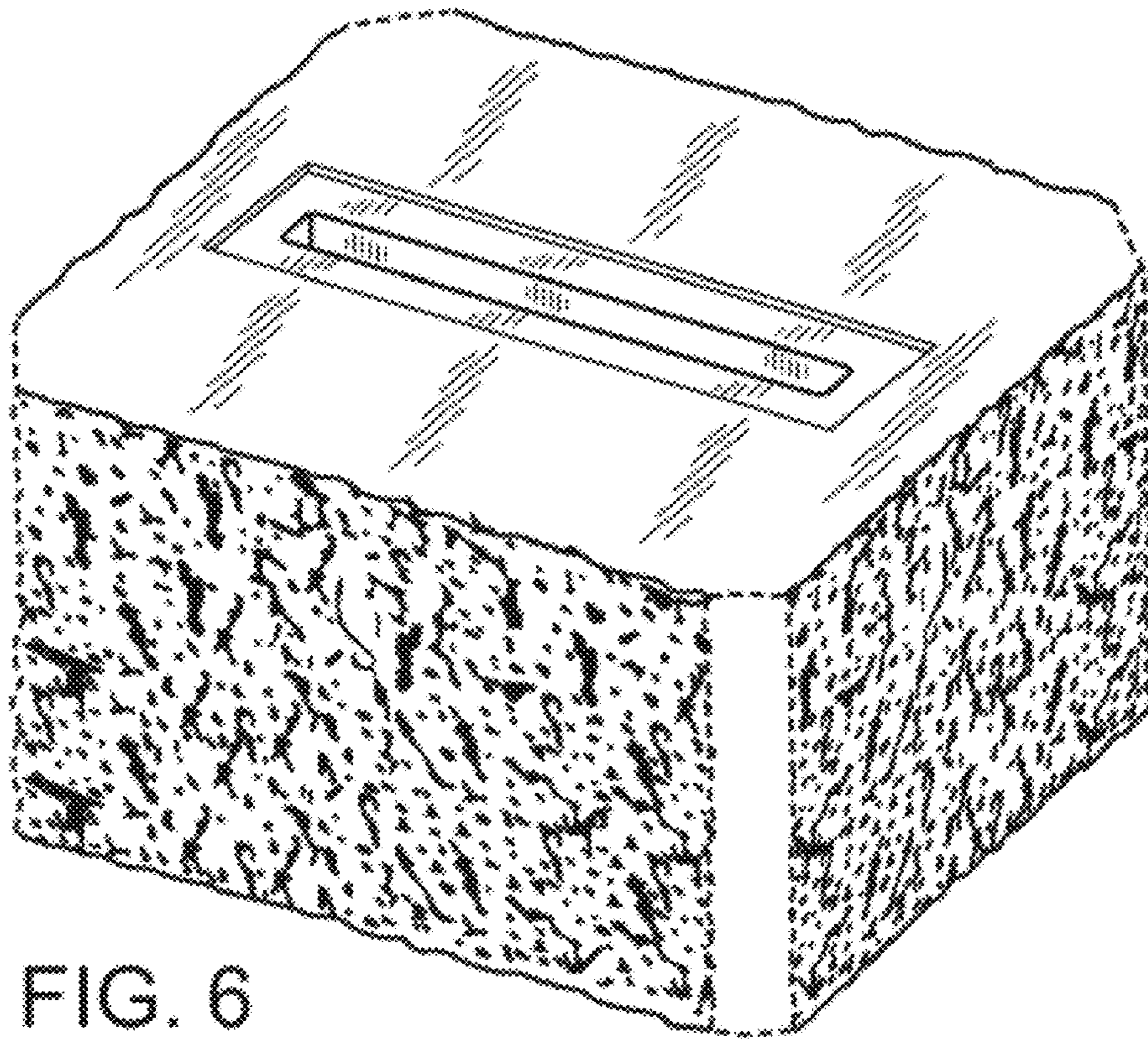


FIG. 6

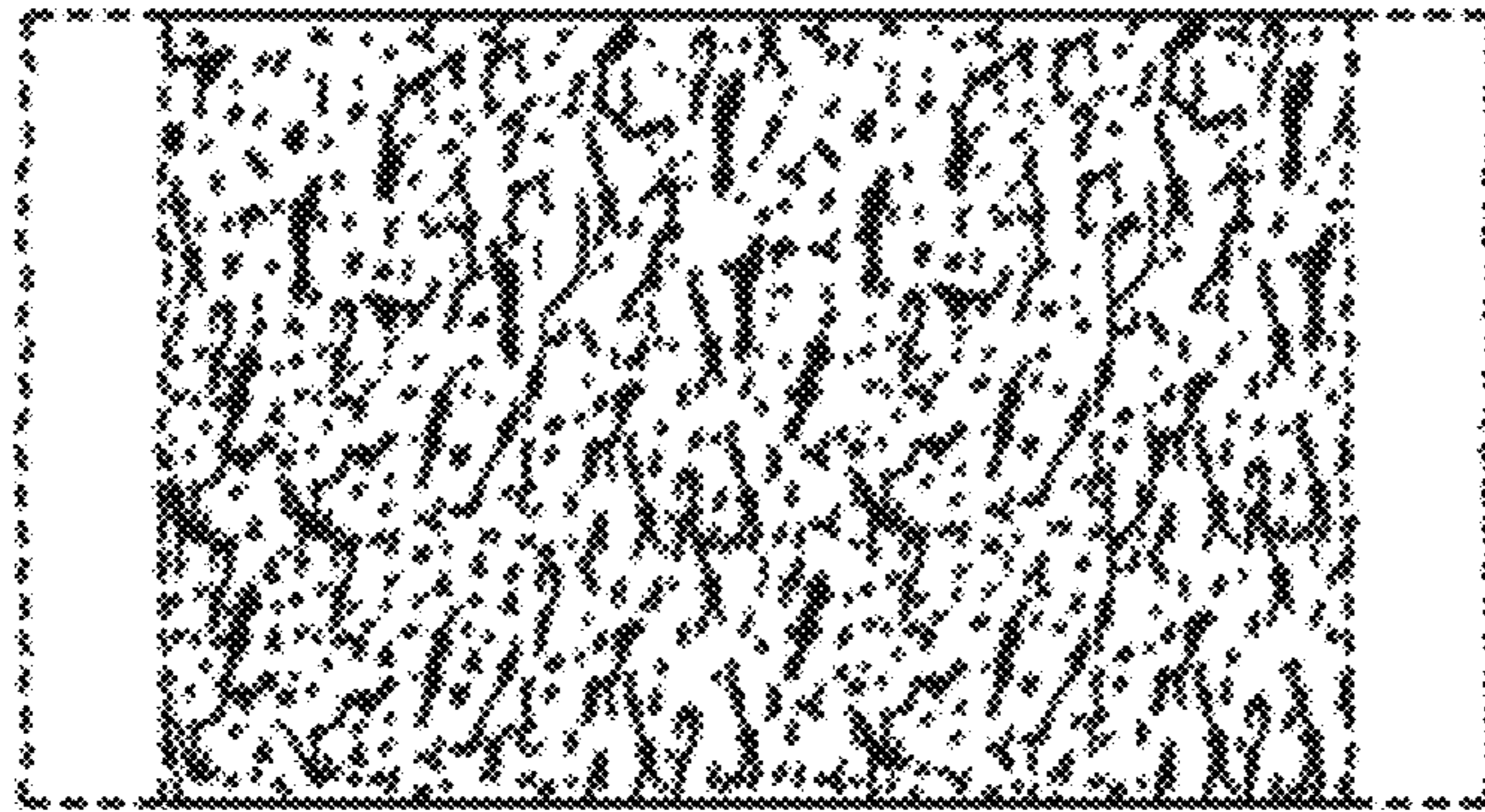


FIG. 7

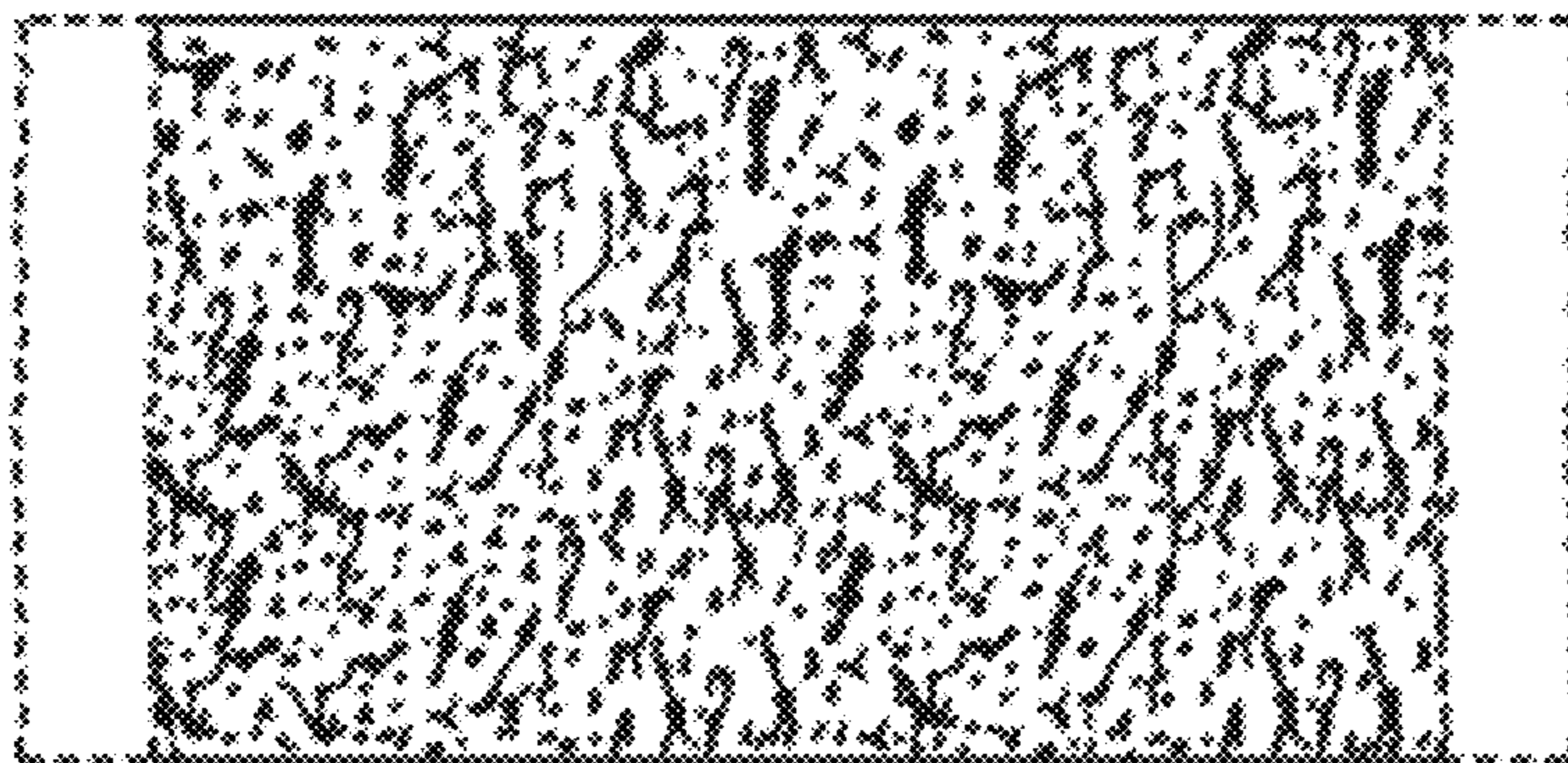


FIG. 8

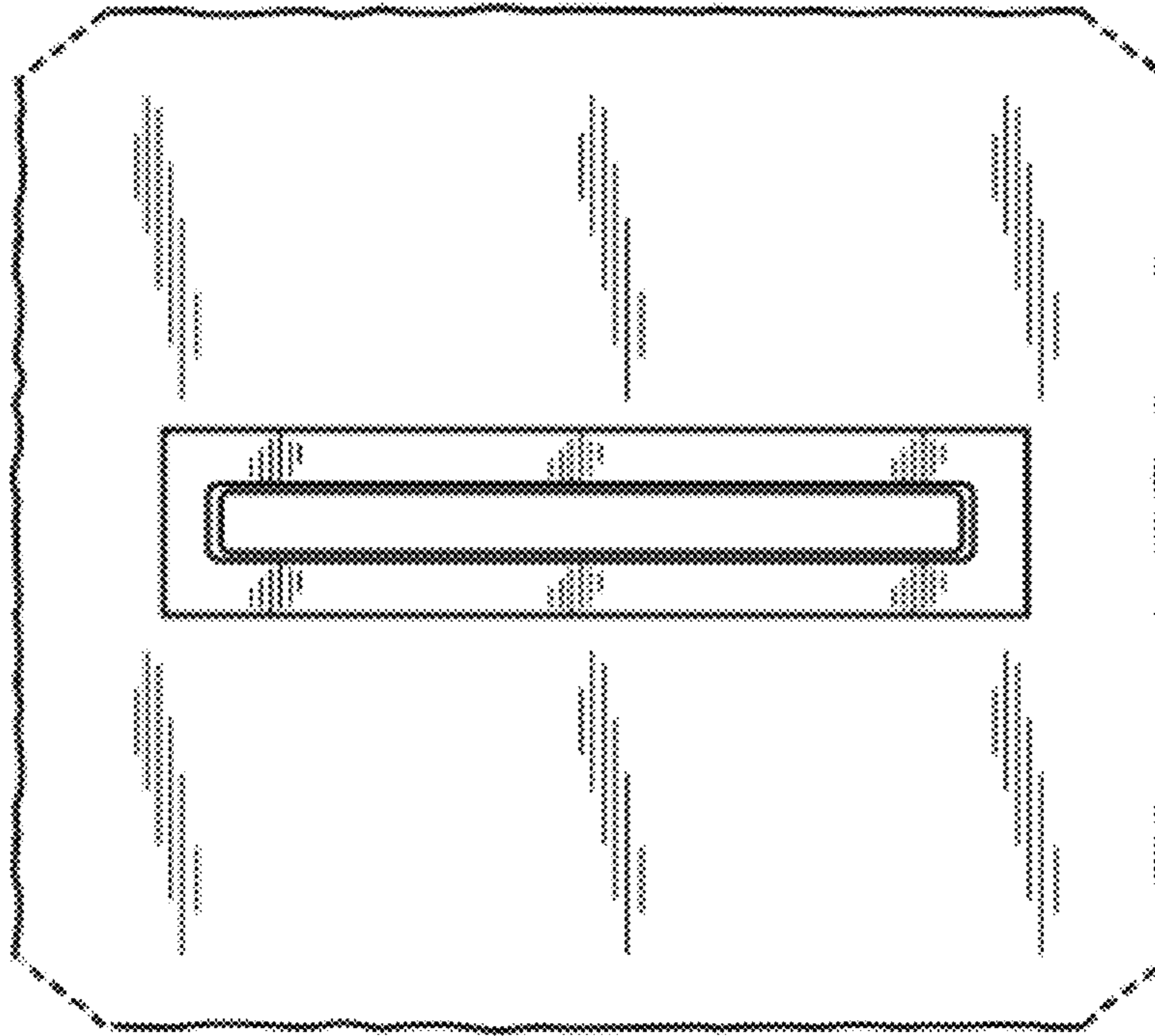


FIG. 9

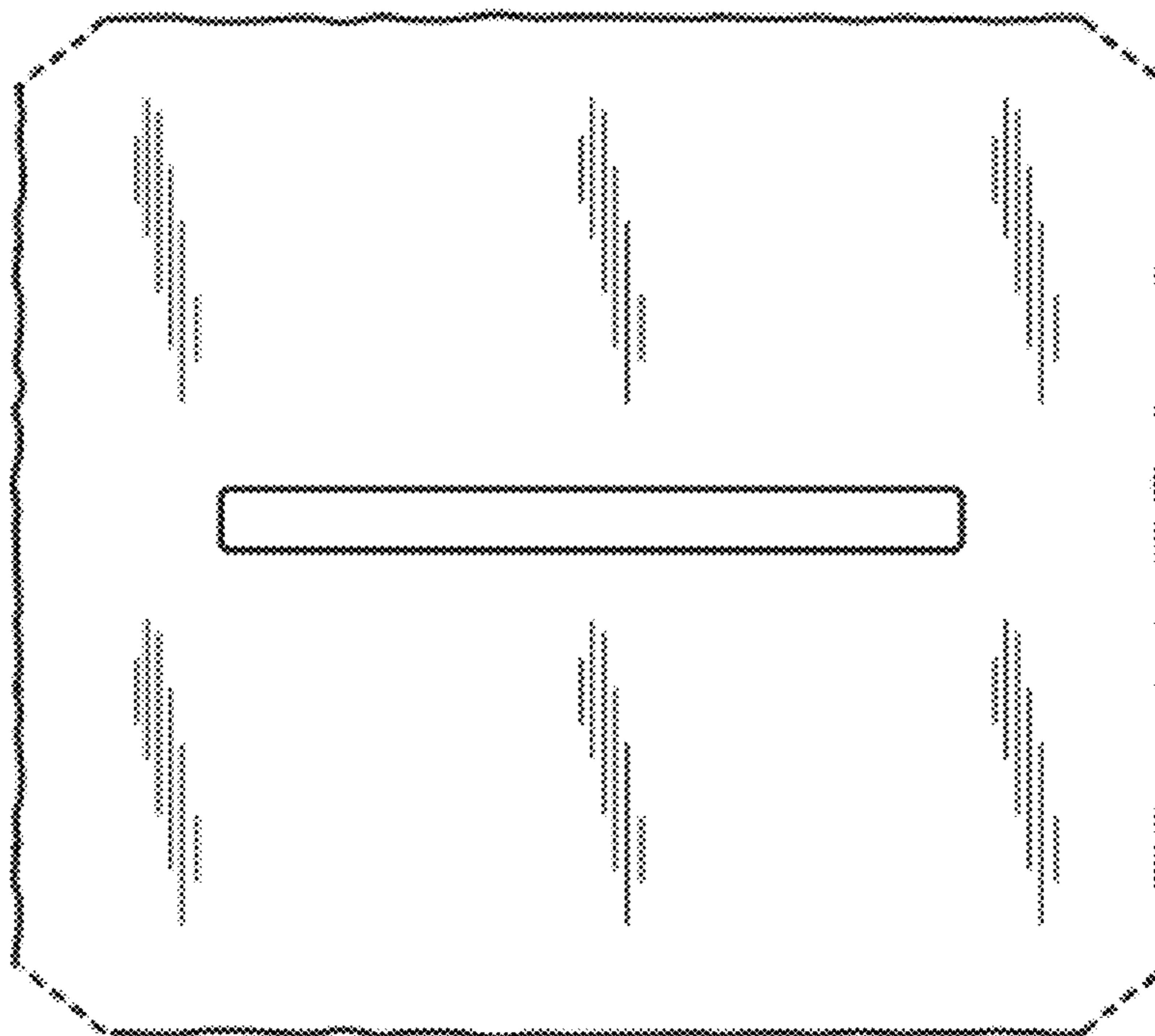


FIG. 10