



US00D678551S

(12) **United States Design Patent**
Stark et al.

(10) **Patent No.:** **US D678,551 S**
(45) **Date of Patent:** **** Mar. 19, 2013**

(54) **LADDER CADDY**

(76) Inventors: **Glen A. Stark**, Livonia, MI (US); **Glenn S. Tokoph**, Fowlerville, MI (US)

(**) Term: **14 Years**

(21) Appl. No.: **29/408,201**

(22) Filed: **Dec. 8, 2011**

Related U.S. Application Data

(63) Continuation-in-part of application No. 12/321,033, filed on Jan. 15, 2009, now Pat. No. 8,157,055.

(51) **LOC (9) Cl.** **25-04**

(52) **U.S. Cl.** **D25/68**

(58) **Field of Classification Search** D25/68;
248/210, 238; 182/129

See application file for complete search history.

(56) **References Cited**

U.S. PATENT DOCUMENTS

5,613,574	A *	3/1997	Melanson	182/129
5,727,649	A *	3/1998	Buckley	182/129
D530,025	S *	10/2006	Patton et al.	D25/68
D541,432	S *	4/2007	Rapp	D25/68

* cited by examiner

Primary Examiner — Doris Clark

(74) *Attorney, Agent, or Firm* — The Weintraub Group, P.L.C.

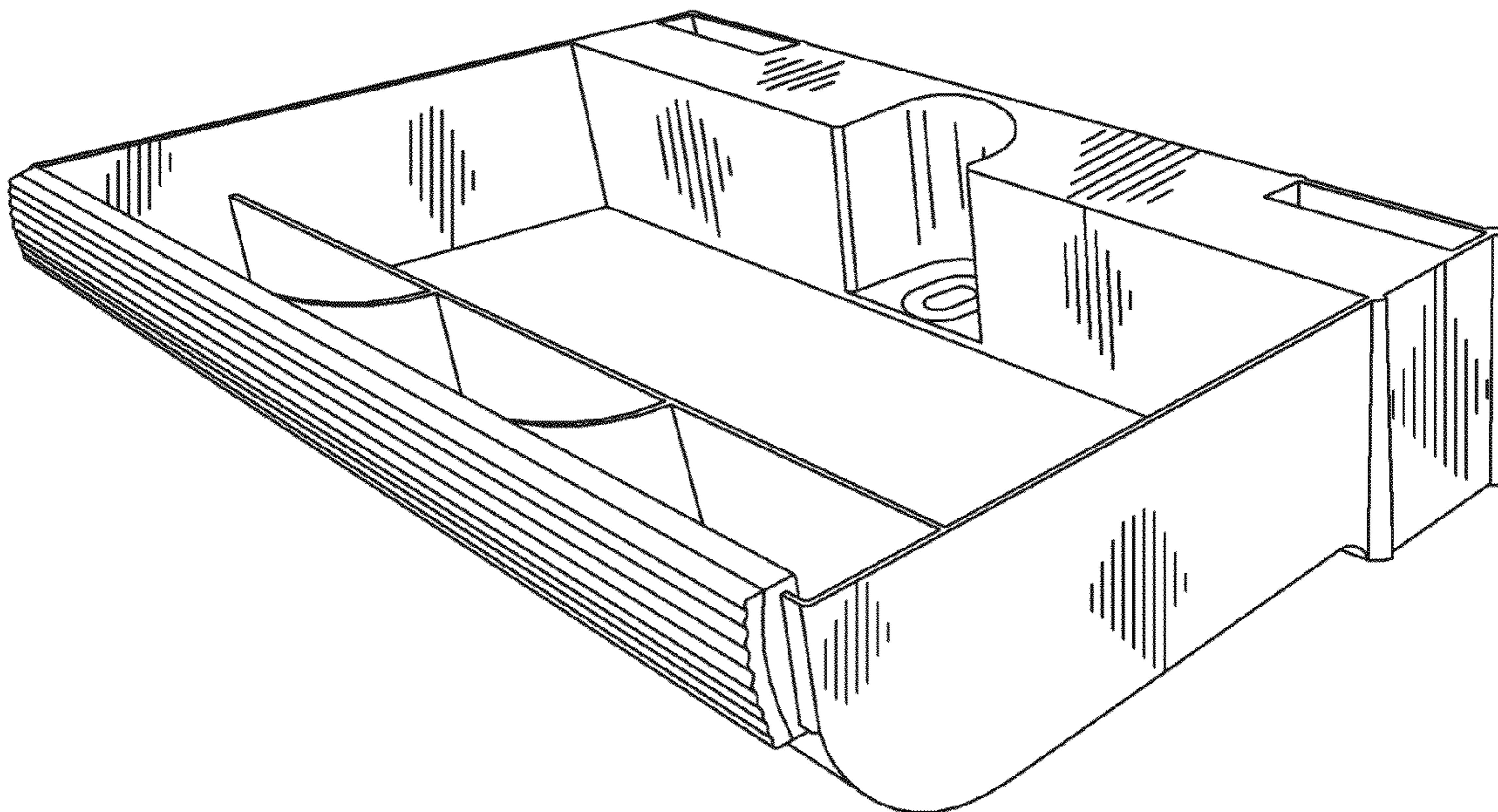
(57) **CLAIM**

The ornamental design for a ladder caddy, as shown.

DESCRIPTION

FIG. 1 is a perspective view of a ladder caddy showing the new design;
FIG. 2 is a left side view, the right side being a mirror image;
FIG. 3 is a front elevation view;
FIG. 4 is a rear elevation view;
FIG. 5 is a top plan view; and,
FIG. 6 is a bottom plan view.

1 Claim, 6 Drawing Sheets



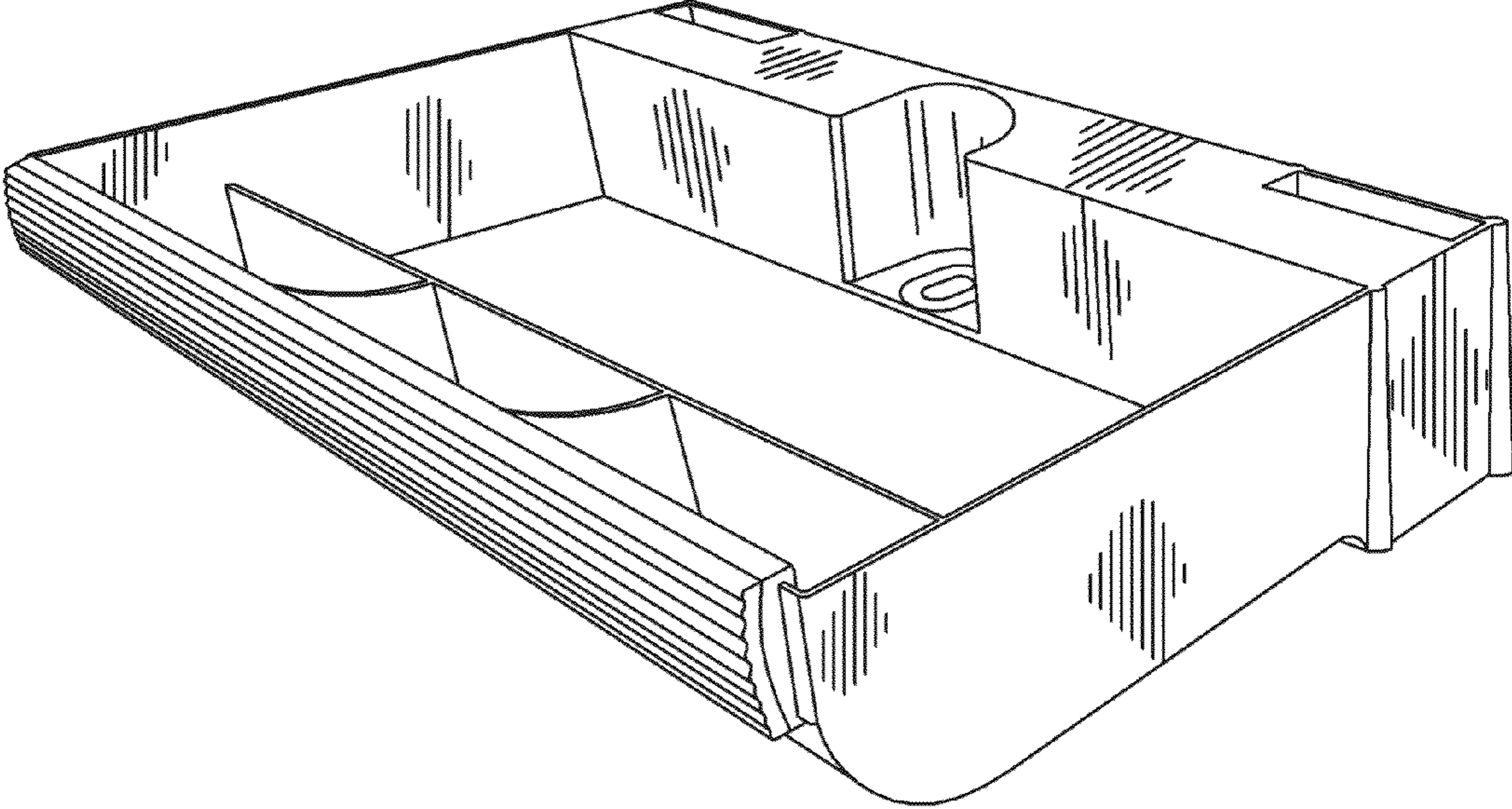


FIG 1

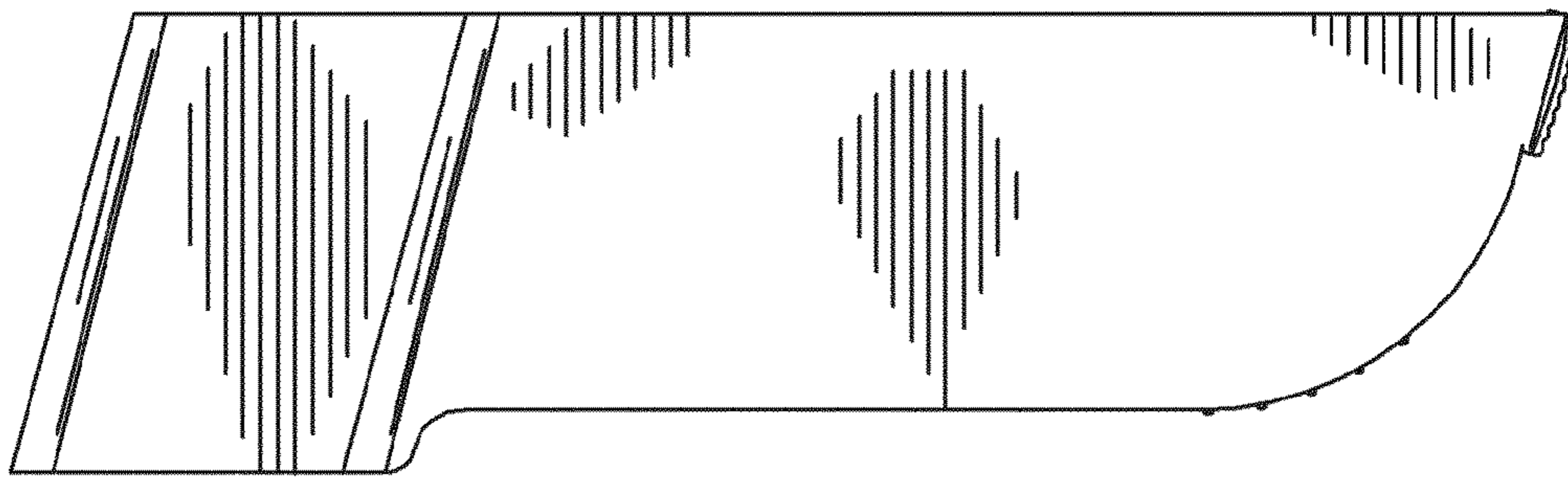


FIG 2

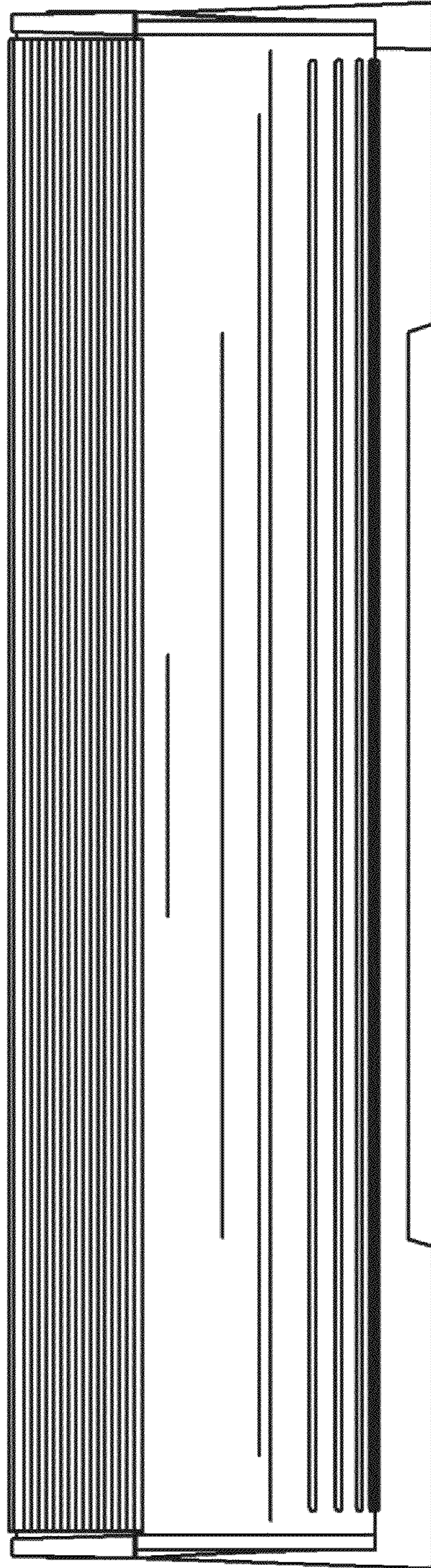


FIG 3

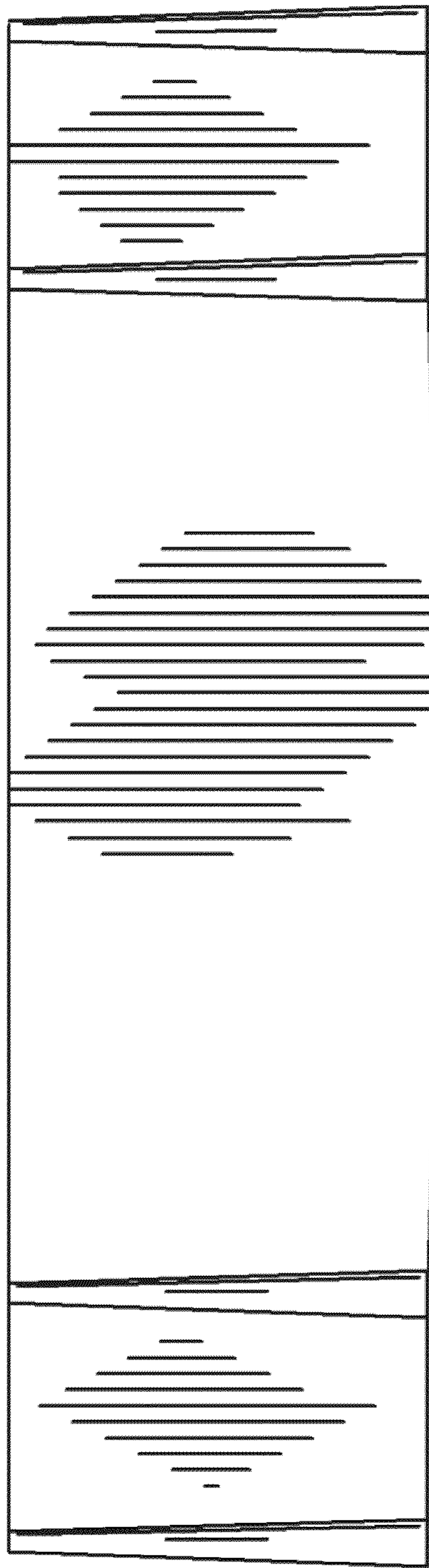


FIG 4

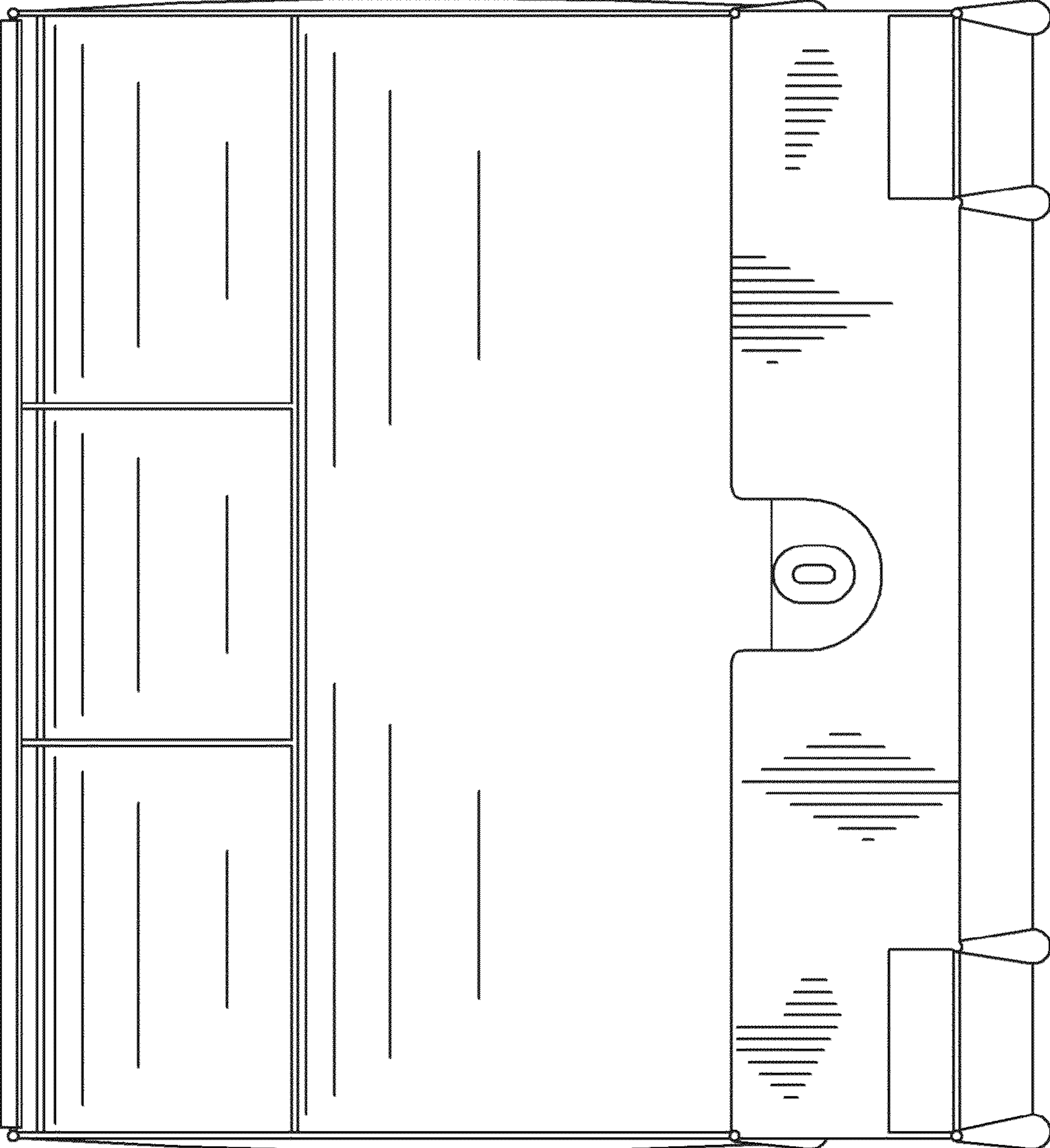


FIG 5

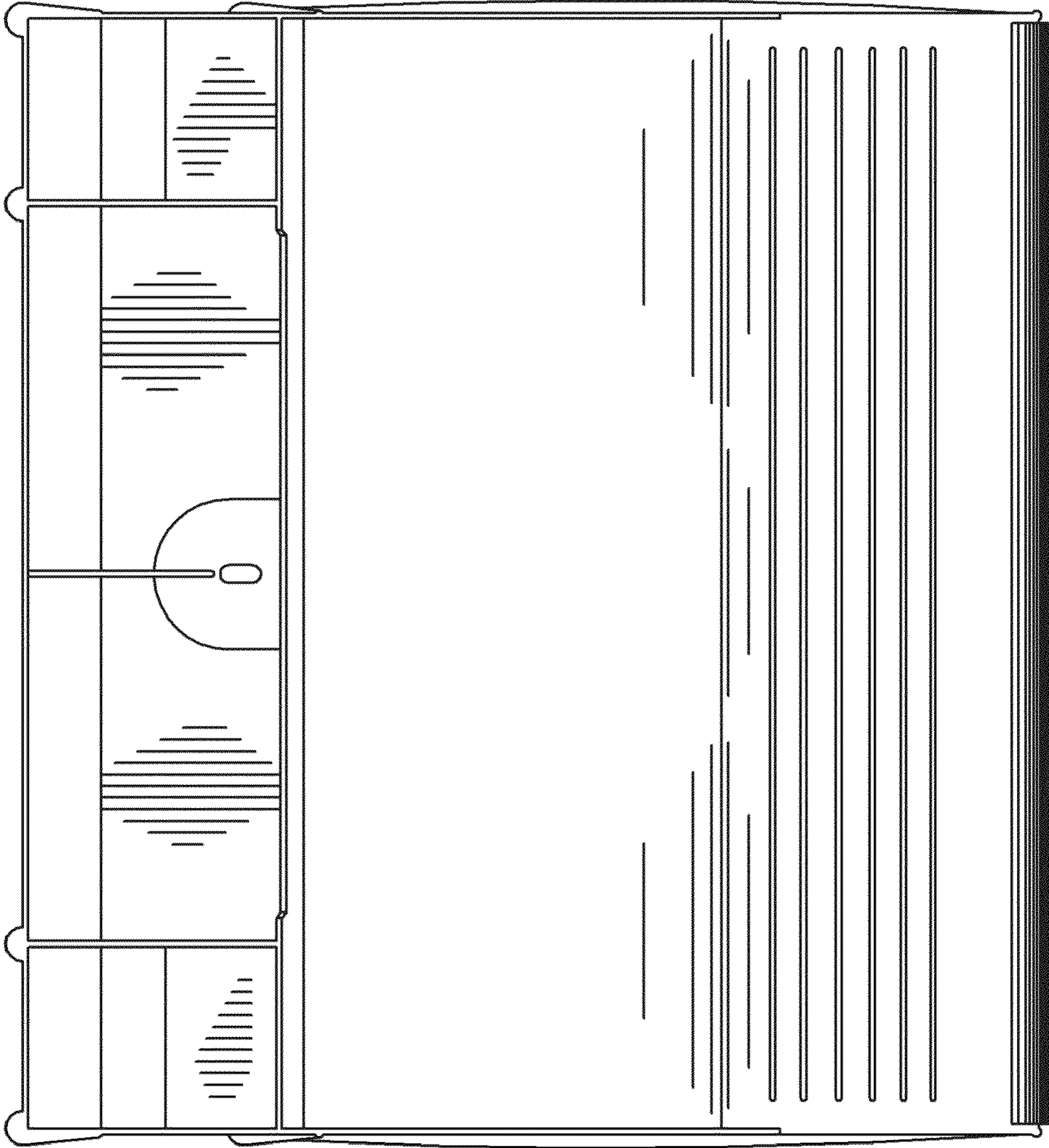


FIG 6