



US00D678550S

(12) **United States Design Patent**  
**Carlson**

(10) **Patent No.:** **US D678,550 S**

(45) **Date of Patent:** **\*\* Mar. 19, 2013**

(54) **CONTAINER FOR A LADDER**

(76) Inventor: **David C. Carlson**, Vero Beach, FL (US)

(\*\*) Term: **14 Years**

(21) Appl. No.: **29/372,880**

(22) Filed: **Jan. 31, 2011**

(51) **LOC (9) Cl.** ..... **25-04**

(52) **U.S. Cl.** ..... **D25/68**

(58) **Field of Classification Search** ..... D25/68;  
248/210, 238; 182/129

See application file for complete search history.

D547,460 S 7/2007 Asham  
D597,685 S \* 8/2009 Gibson et al. .... D25/68  
2002/0104709 A1 8/2002 Hines  
2006/0163003 A1 7/2006 Wigstrom

\* cited by examiner

*Primary Examiner* — Doris Clark

(74) *Attorney, Agent, or Firm* — Richard John Bartz

(57) **CLAIM**

I claim the ornamental design for a container for a ladder, as shown and described.

(56) **References Cited**

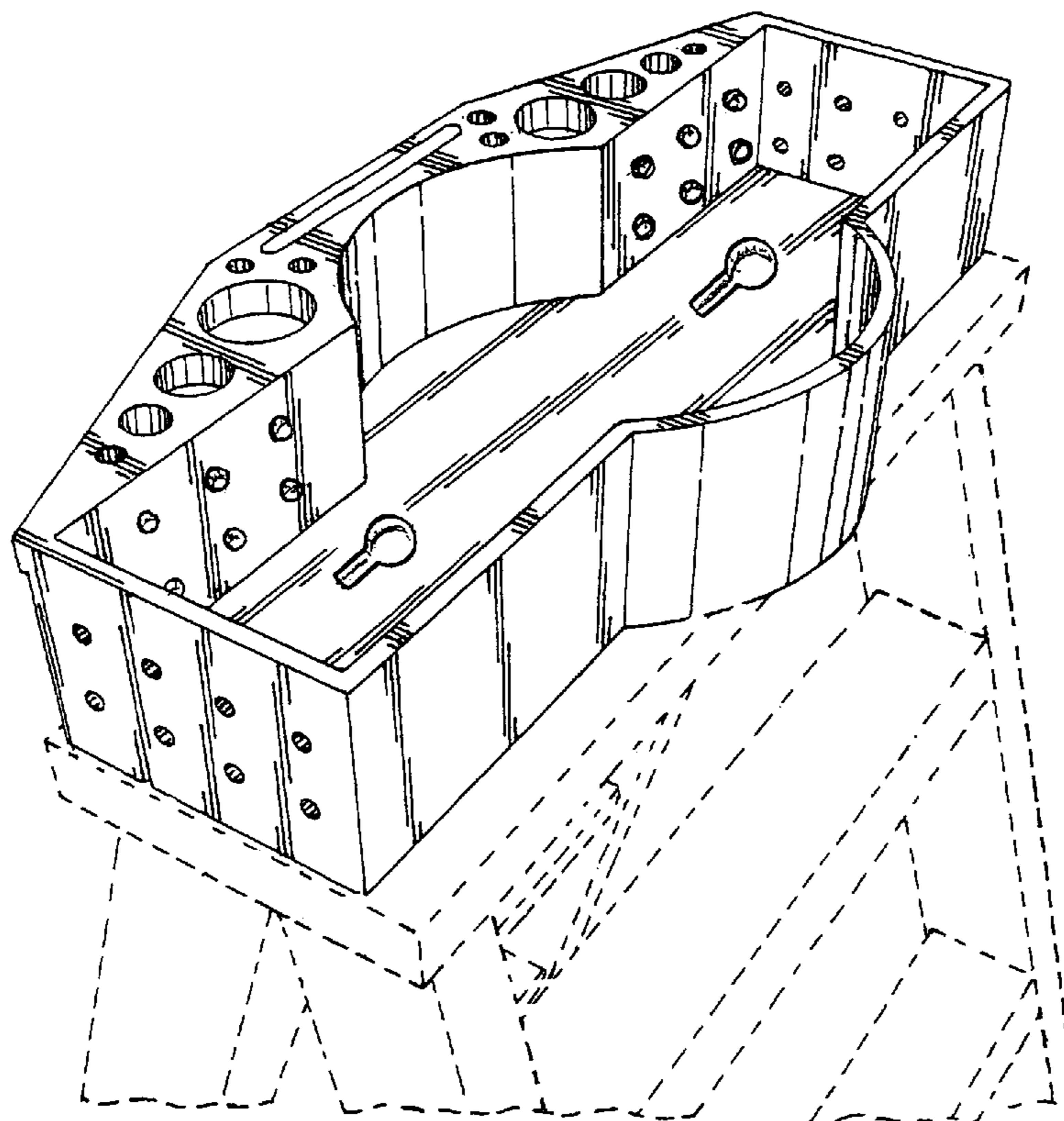
U.S. PATENT DOCUMENTS

3,642,240	A	2/1972	Hershey	
5,505,302	A	4/1996	Ferley	
5,603,405	A	2/1997	Smith	
5,613,574	A	3/1997	Melanson	
5,673,885	A *	10/1997	Pham	248/210
5,740,883	A	4/1998	Trank	
D395,523	S	6/1998	Fine et al.	
6,098,748	A	8/2000	Harper et al.	
6,467,577	B1	10/2002	Charlebois	
6,536,557	B2	3/2003	Gibson et al.	
6,564,941	B2	5/2003	Hedges	
6,565,051	B2 *	5/2003	Vaglica	248/210
7,032,711	B1 *	4/2006	Katz et al.	182/129

**DESCRIPTION**

FIG. 1 is a perspective view of a container for a ladder of my design;  
FIG. 2 is a front elevational view thereof;  
FIG. 3 is a rear elevational view thereof;  
FIG. 4 is an end elevational view of the left end thereof;  
FIG. 5 is an end elevational view of the right end thereof;  
FIG. 6 is a top plan view thereof; and,  
FIG. 7 is a bottom plan view thereof.  
The broken lines of a step ladder in FIG. 1 are not part of the design of the container for a ladder.

**1 Claim, 3 Drawing Sheets**



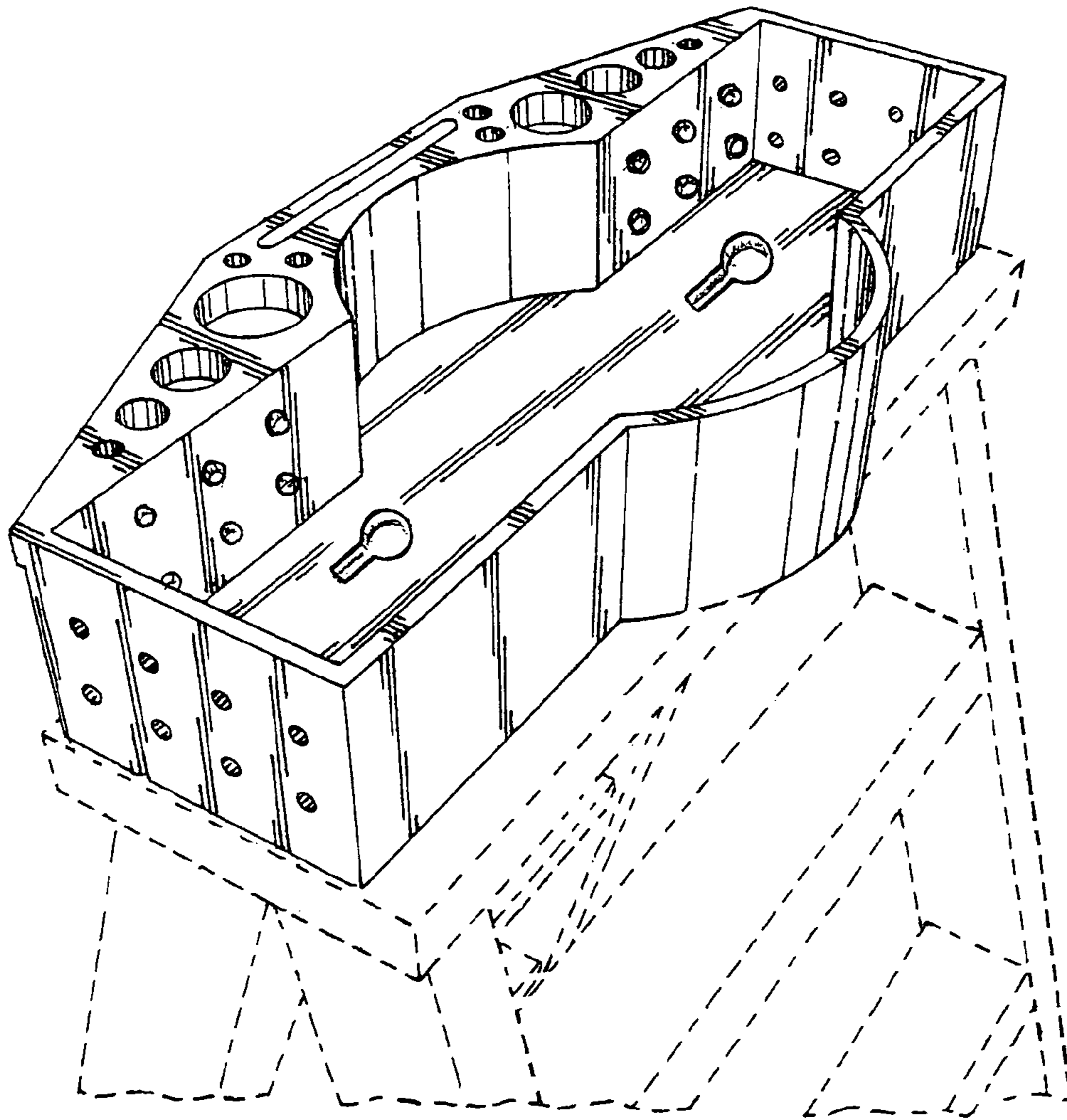


FIG.1

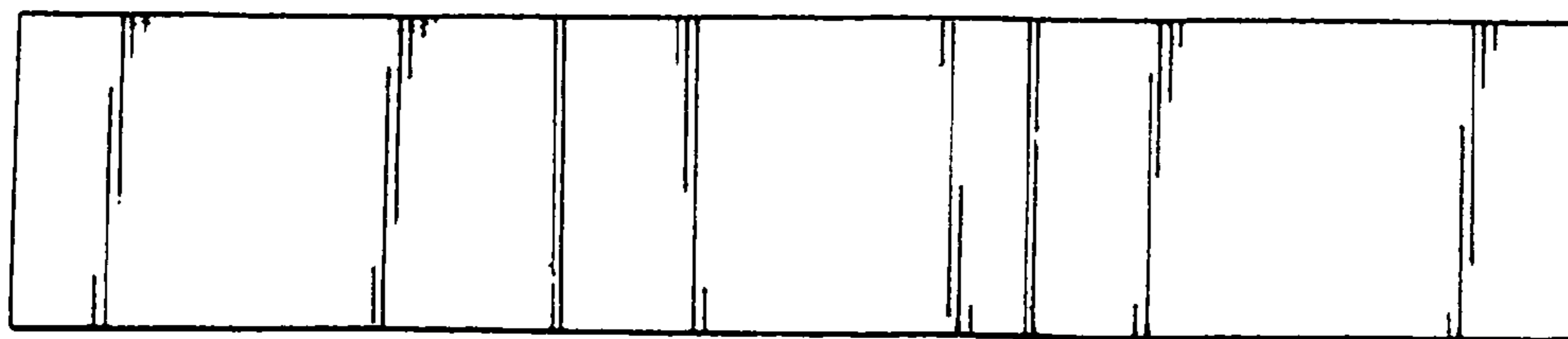


FIG.2

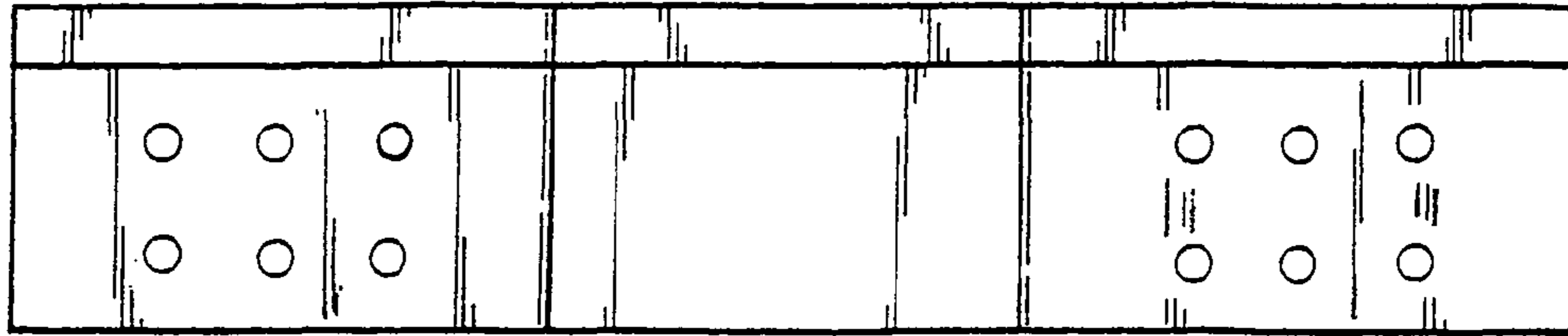


FIG.3

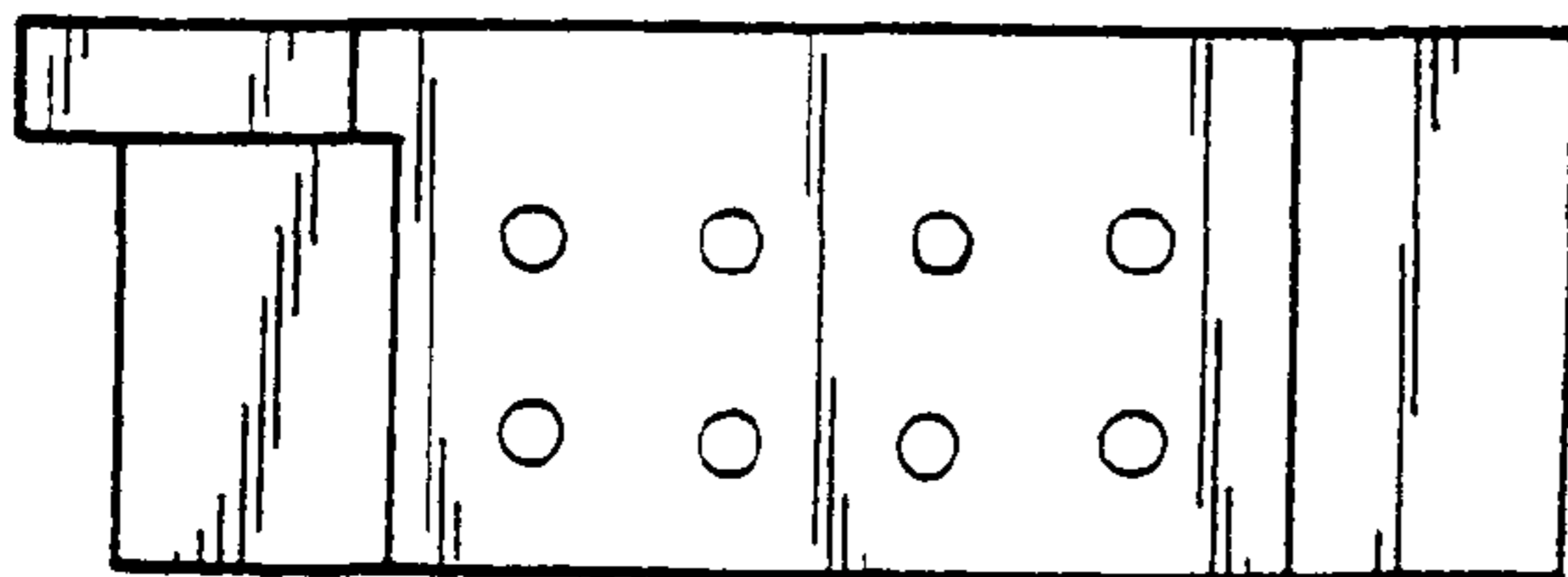


FIG.4

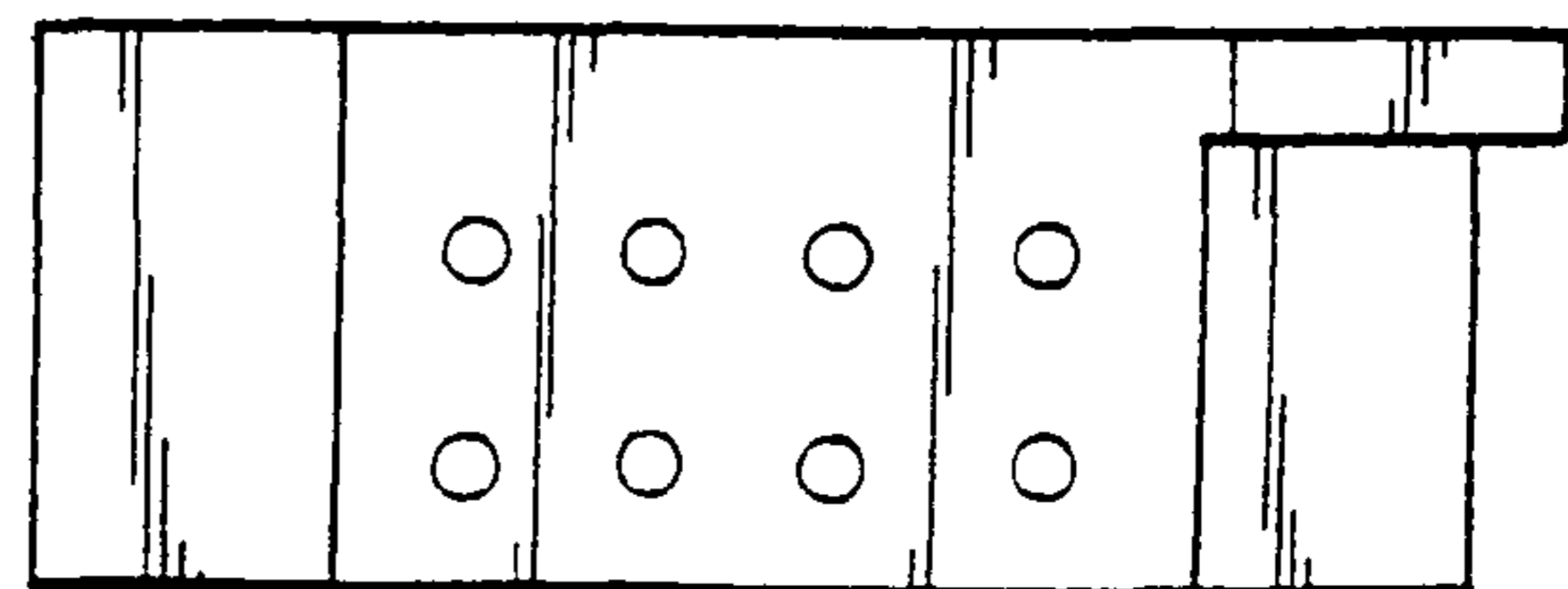


FIG.5

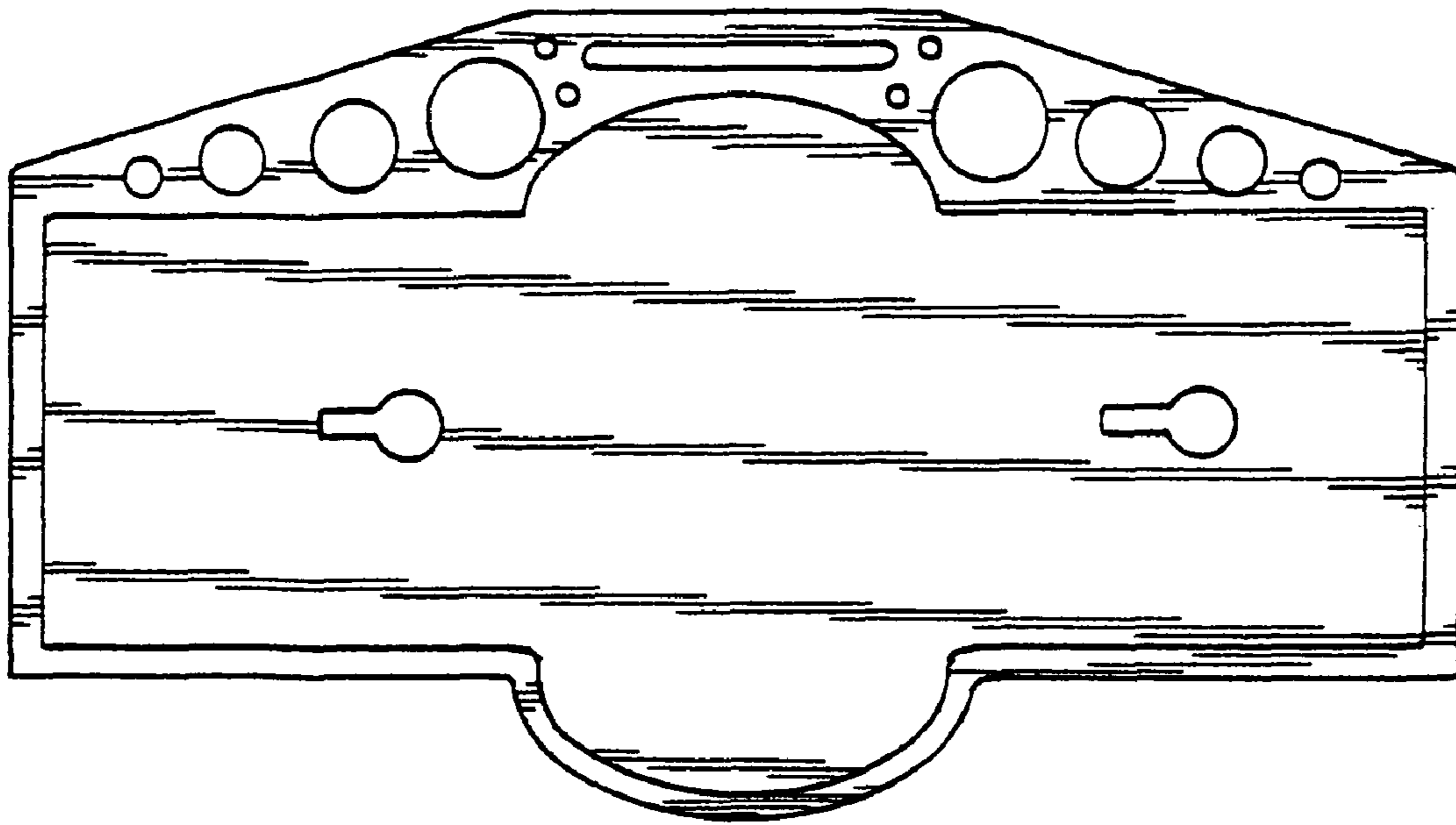


FIG. 6

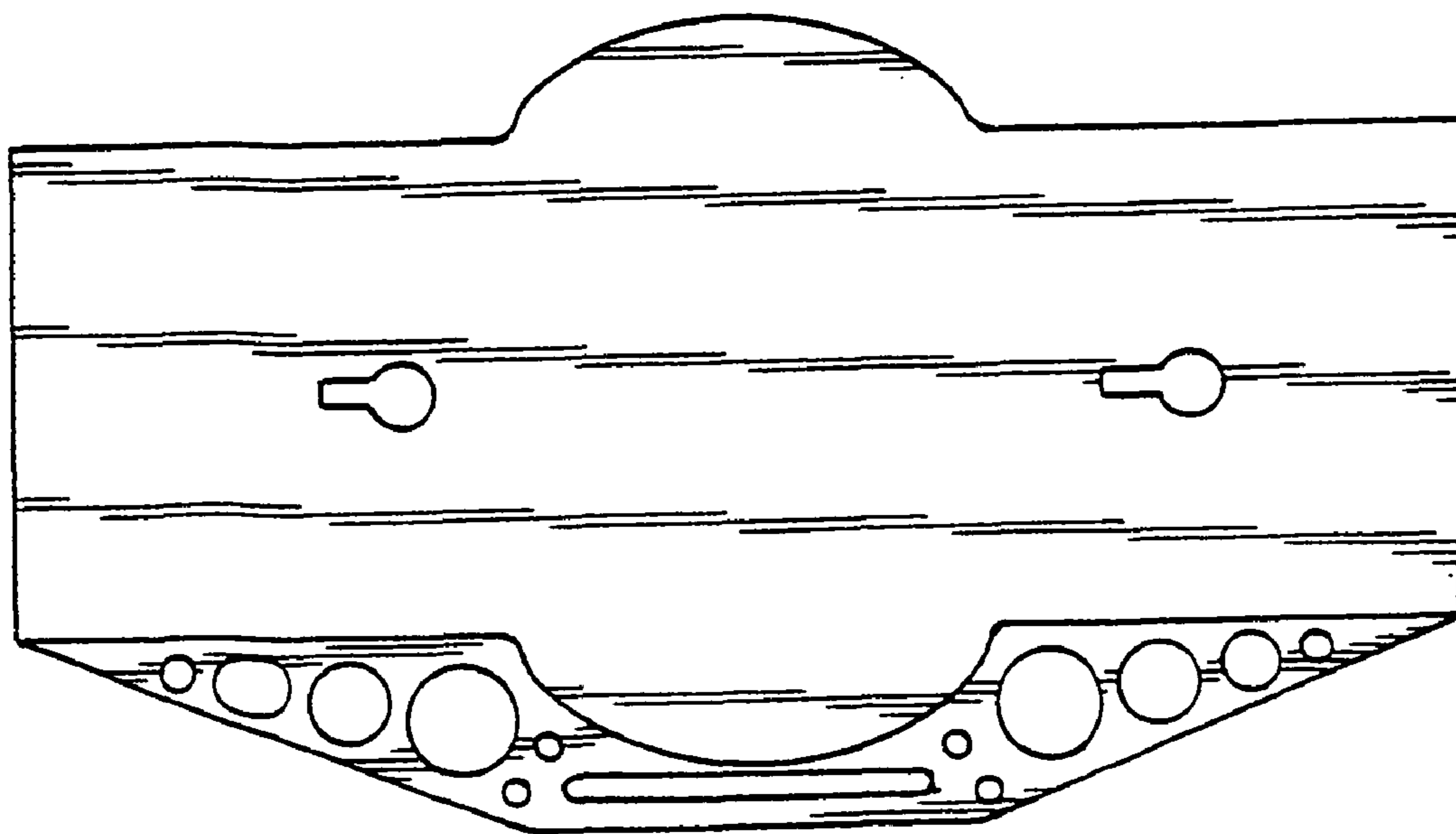


FIG. 7