



US00D678549S

(12) **United States Design Patent**  
**Lehane, Jr. et al.**

(10) **Patent No.:** **US D678,549 S**  
(45) **Date of Patent:** **\*\* Mar. 19, 2013**

(54) **SUSPENDED CEILING GRID RUNNER ASSEMBLY**

D596,314 S \* 7/2009 Parsons ..... D25/61  
2008/0047213 A1\* 2/2008 Jaic ..... 52/506.06  
2008/0060306 A1\* 3/2008 Platt et al. .... 52/506.06

(75) Inventors: **James J. Lehane, Jr.**, McHenry, IL (US); **Peder J. Gulbrandsen**, Aurora, IL (US); **Mark R. Paulsen**, Waukegan, IL (US); **Abraham M. Underkoffler**, Waukegan, IL (US)

\* cited by examiner

*Primary Examiner* — Doris Clark

(74) *Attorney, Agent, or Firm* — Pearne & Gordon LLP

(73) Assignee: **USG Interiors, LLC**, Chicago, IL (US)

(57) **CLAIM**

The ornamental design for a suspended ceiling grid runner assembly, as shown and described.

(\*\*) Term: **14 Years**

**DESCRIPTION**

(21) Appl. No.: **29/409,804**

FIG. 1 is a fragmented isometric view, from below, of a suspended ceiling grid runner assembly showing our new design;

(22) Filed: **Dec. 29, 2011**

FIG. 2 is a fragmented side view thereof taken parallel to a main runner, the opposite view being a mirror image of this view;

(51) **LOC (9) Cl.** ..... **25-02**

(52) **U.S. Cl.** ..... **D25/61**

(58) **Field of Classification Search** ..... D25/138,  
D25/60, 61; 52/220.6, 656.1

FIG. 3 is a fragmented side view thereof taken parallel to a cross runner, the opposite view being a mirror image of this view;

See application file for complete search history.

FIG. 4 is a fragmented top plan view thereof; and,

FIG. 5 is a fragmented bottom plan view thereof.

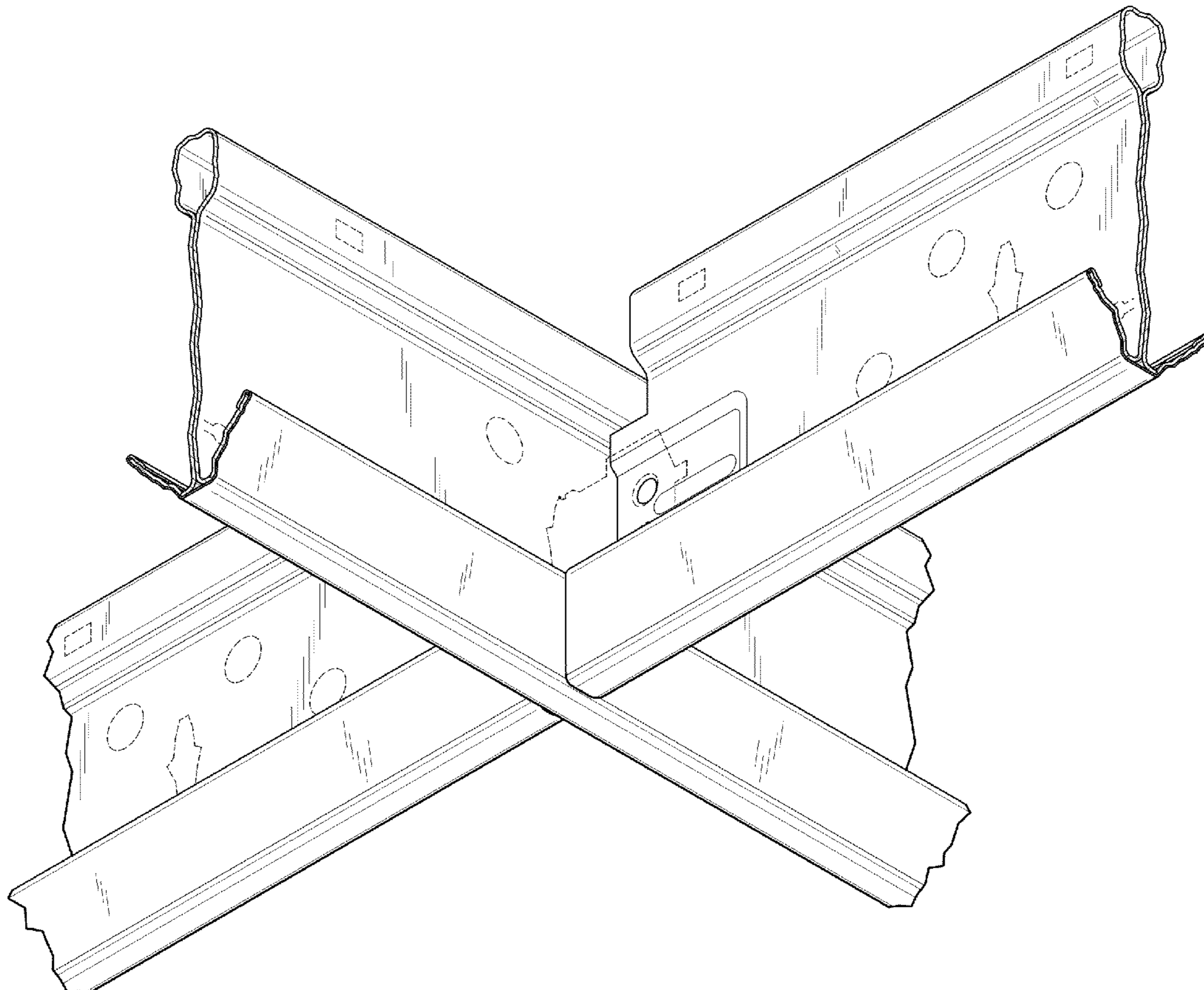
The dotted-line showing in the drawings illustrates environmental matter and forms no part of the claimed design.

(56) **References Cited**

**U.S. PATENT DOCUMENTS**

D383,220 S \* 9/1997 Harbeke et al. .... D25/61  
7,428,801 B2 \* 9/2008 Ostenfeldt ..... 52/144

**1 Claim, 4 Drawing Sheets**



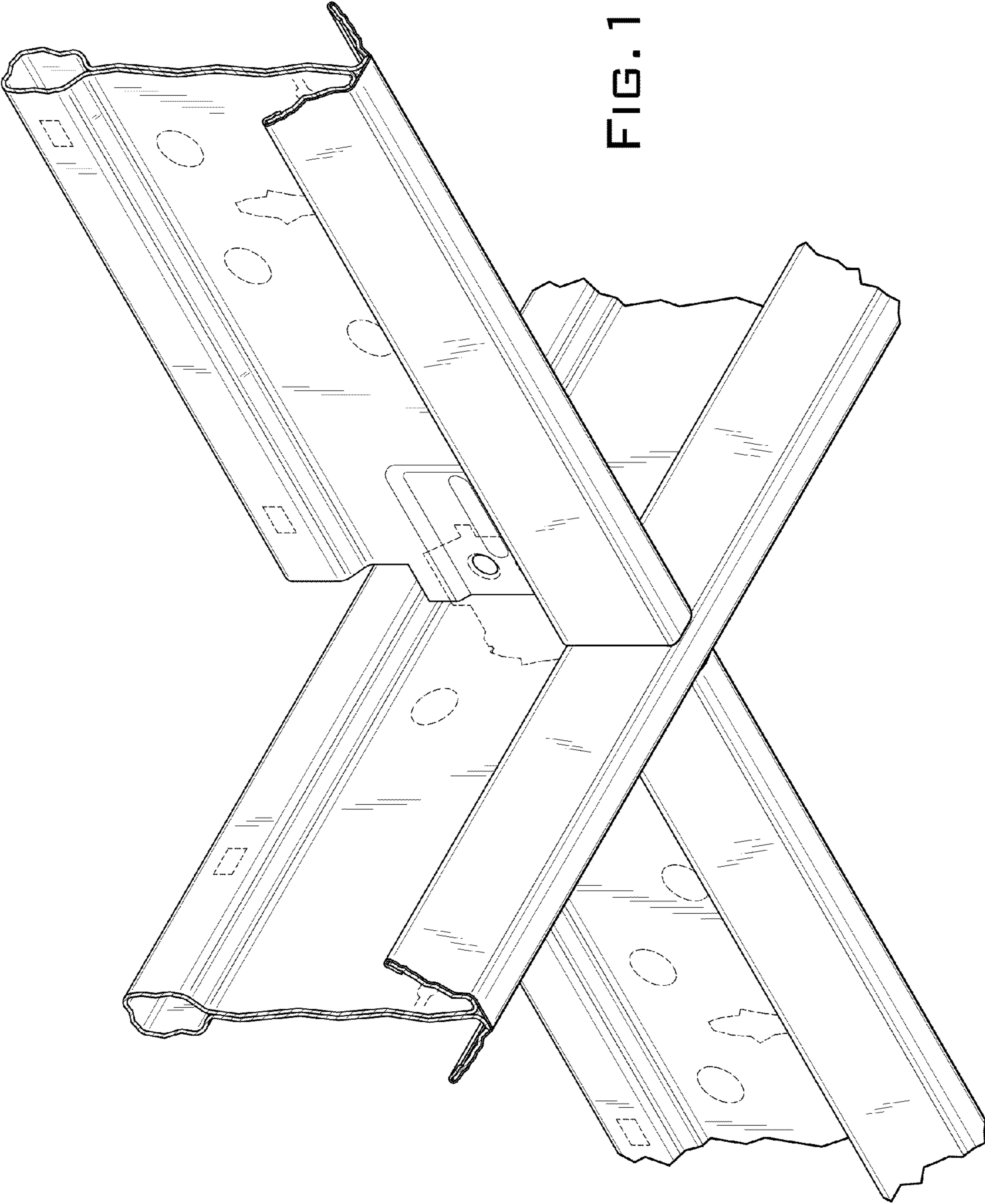


FIG. 1

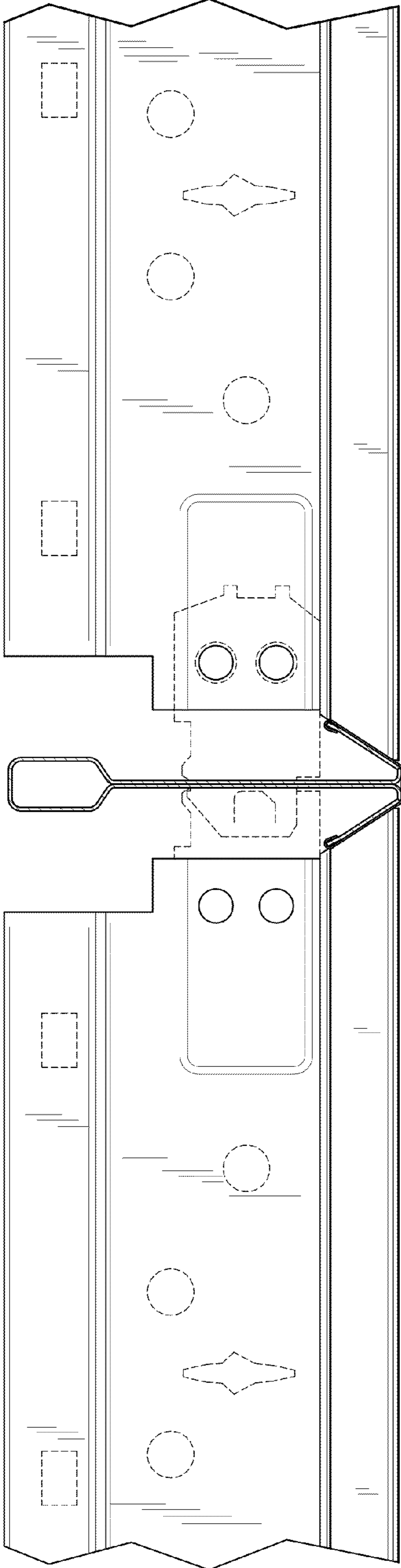


FIG. 2

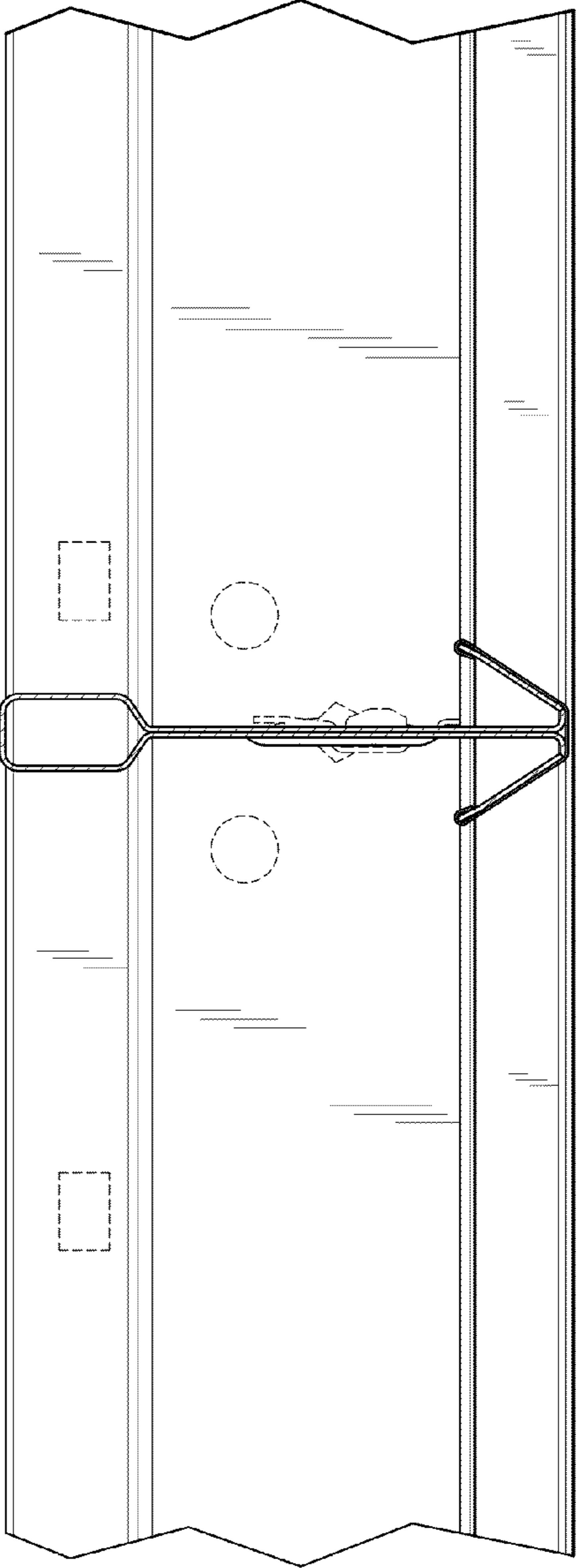


FIG. 3

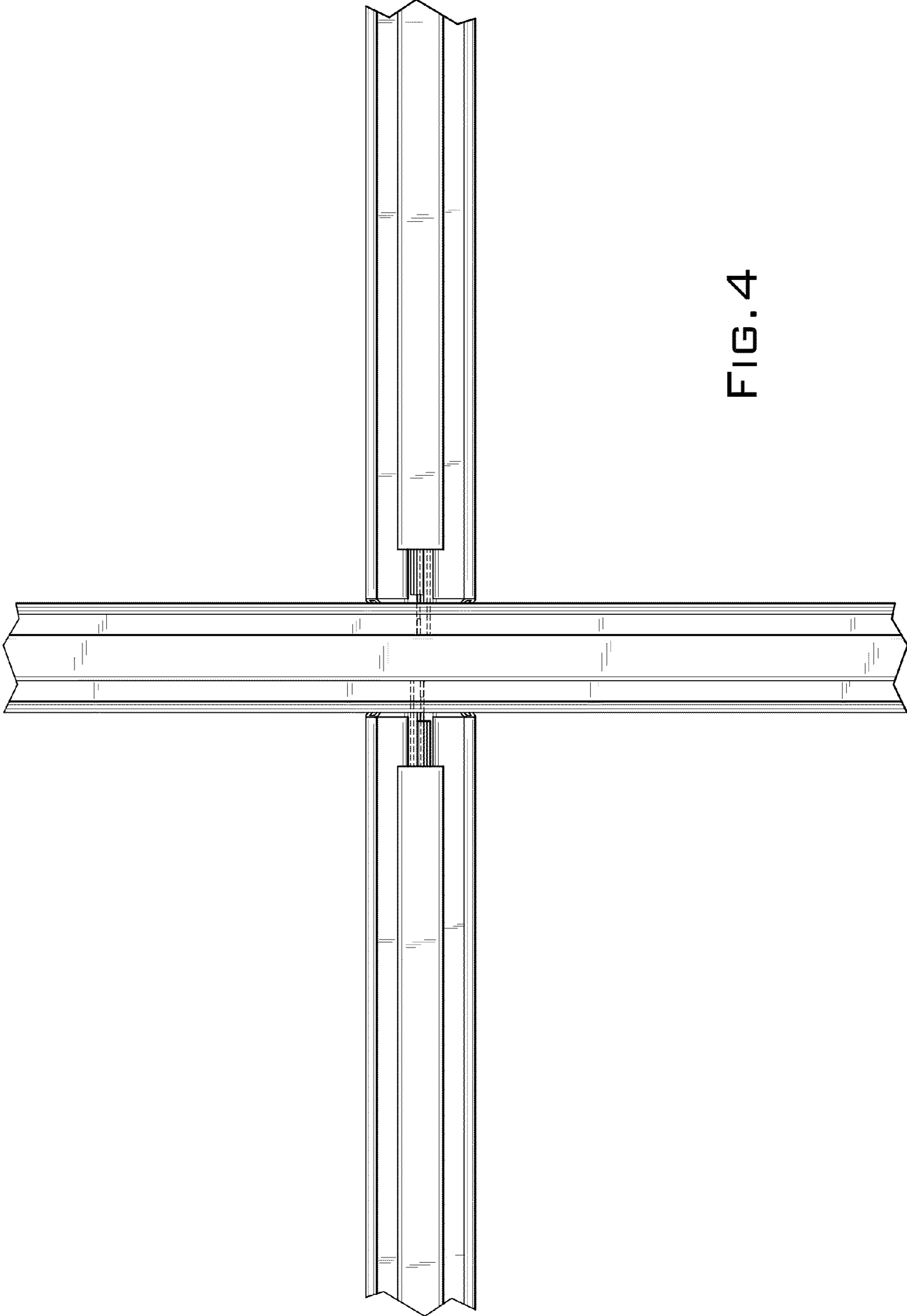


FIG. 4

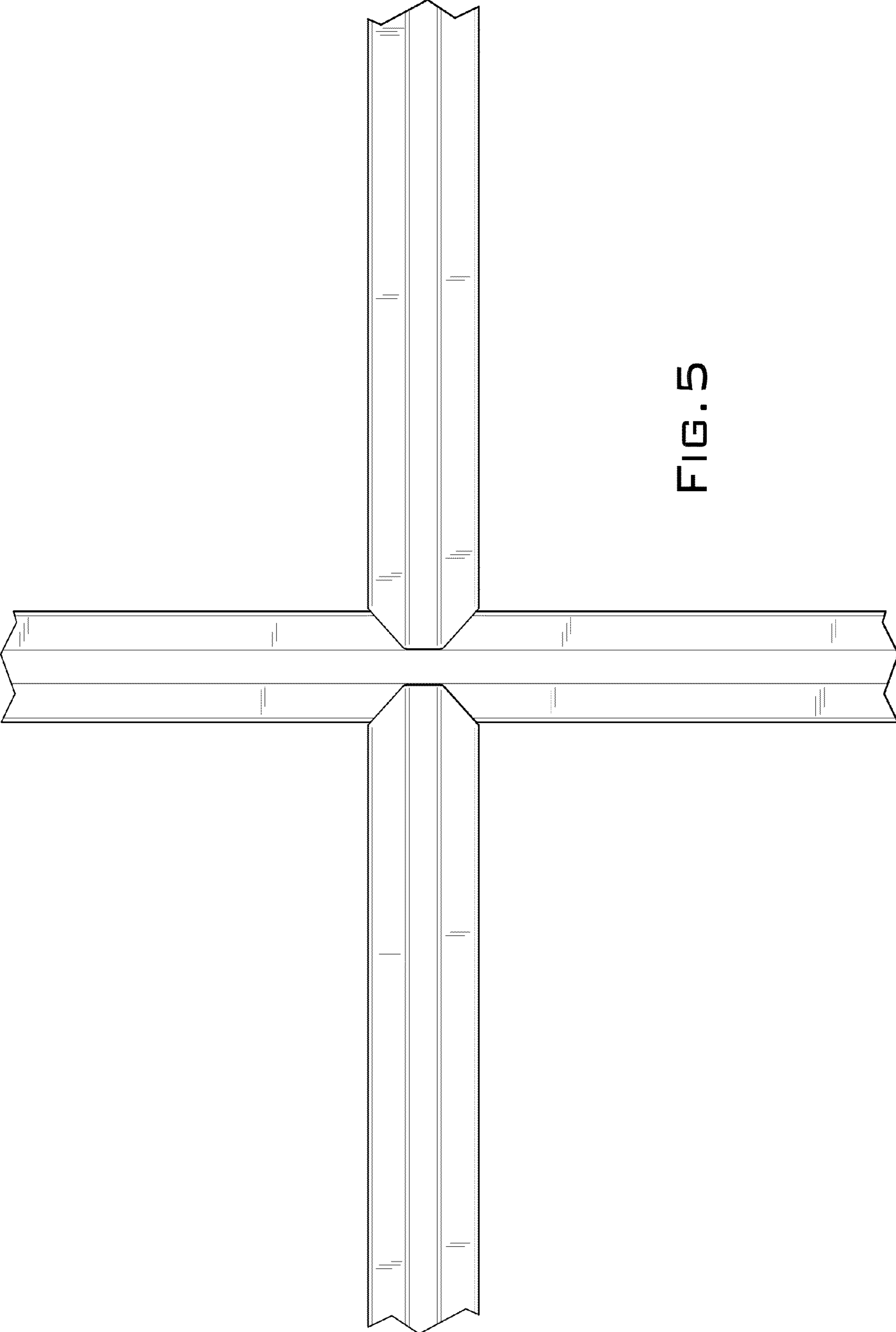


FIG. 5