



US00D678547S

(12) **United States Design Patent**
Sekizawa et al.

(10) **Patent No.:** **US D678,547 S**
(45) **Date of Patent:** **** Mar. 19, 2013**

(54) **MICRO FLOW CHANNEL CHIP**

DESCRIPTION

- (75) Inventors: **Ryuichi Sekizawa**, Yokohama (JP);
Ryoko Aso, Yokohama (JP)
- (73) Assignee: **Metaboscreen Co., Ltd.**, Kanagawa (JP)
- (**) Term: **14 Years**
- (21) Appl. No.: **29/382,217**
- (22) Filed: **Dec. 30, 2010**
- (30) **Foreign Application Priority Data**

Jun. 30, 2010 (JP) 2010-149963

- (51) **LOC (9) Cl.** **24-01**
- (52) **U.S. Cl.** **D24/224**
- (58) **Field of Classification Search** D24/216–217,
D24/219, 222–226, 227, 231, 232, 107, 169,
D24/186; D10/81; 422/400–404, 408, 430,
422/68.1, 69, 500, 502, 503; 435/287.1,
435/287.3, 287.4, 288.1, 288.3, 288.7

See application file for complete search history.

(56) **References Cited**

U.S. PATENT DOCUMENTS

5,079,142	A *	1/1992	Coleman et al.	435/7.92
5,238,652	A *	8/1993	Sun et al.	422/412
5,660,993	A *	8/1997	Cathey et al.	435/7.9
6,013,513	A *	1/2000	Reber et al.	435/288.5
6,212,416	B1 *	4/2001	Ward et al.	600/345

(Continued)

FOREIGN PATENT DOCUMENTS

JP	2001-157855	A	6/2001
JP	2005-140681	A	6/2005
JP	3116709	U	12/2005

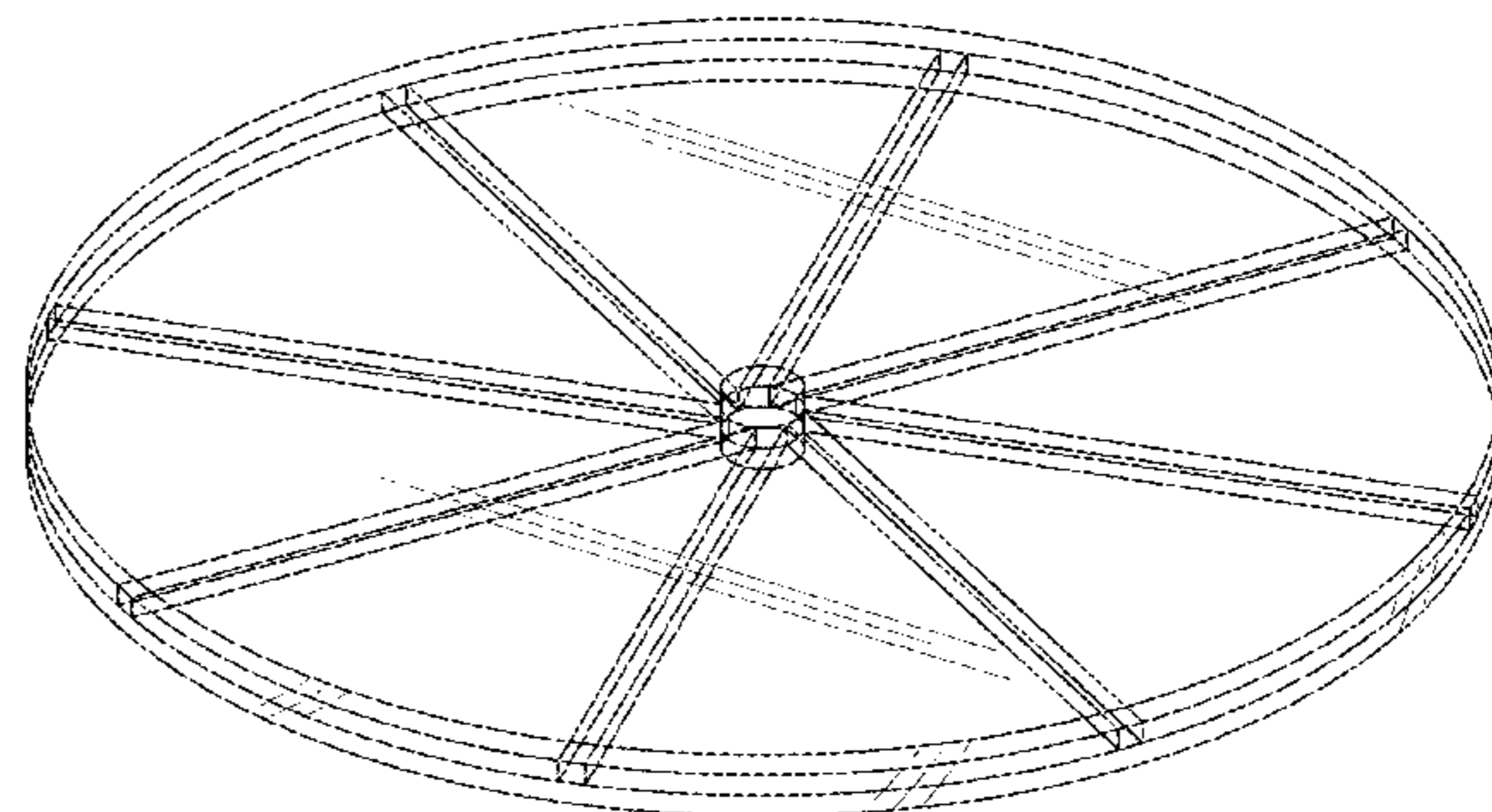
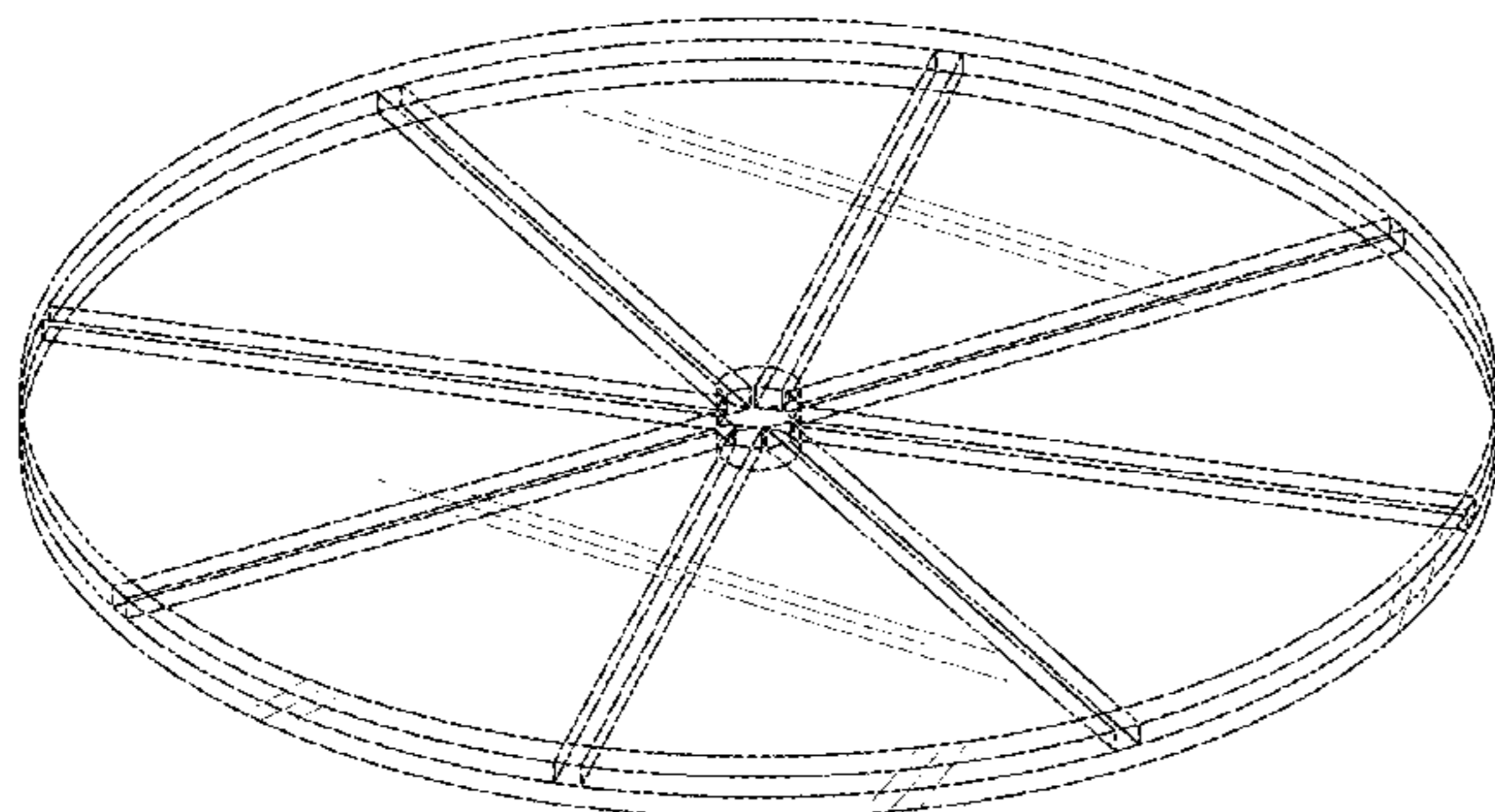
Primary Examiner — Anhdao Doan

(57) **CLAIM**

The ornamental design for a micro flow channel chip, as shown and described.

FIG. 1 is a front elevational view of a first embodiment of a micro flow channel chip showing our new design, with the rear elevational view being a mirror image thereof;
 FIG. 2 is a top plan view of the micro flow channel chip of FIG. 1, with the bottom plan view being a mirror image thereof;
 FIG. 3 is a left side elevational view of the micro flow channel chip of FIG. 1, with the right side elevational view being a mirror image of the micro flow channel chip of FIG. 1;
 FIG. 4 is a front-bottom-left perspective view of the micro flow channel chip of FIG. 1;
 FIG. 5 is a partially enlarged perspective view of the micro flow channel chip shown in FIG. 4;
 FIG. 6 is a front elevational view of a second embodiment of a micro flow channel chip showing our new design, with the rear elevational view being a mirror image thereof;
 FIG. 7 is a top plan view of the micro flow channel chip of FIG. 6, with the bottom plan view being a mirror image thereof;
 FIG. 8 is a left side elevational view of the micro flow channel chip of FIG. 6, with the right side elevational view being a mirror image thereof;
 FIG. 9 is a front-bottom-right perspective view of the micro flow channel chip of FIG. 6;
 FIG. 10 is a partially enlarged perspective view of the micro flow channel chip shown in FIG. 9;
 FIG. 11 is a front elevational view of a third embodiment of a micro flow channel chip showing our new design, with the rear elevational view being a mirror image thereof;
 FIG. 12 is a top plan view of the micro flow channel chip of FIG. 11, with the bottom plan view being a mirror image thereof;
 FIG. 13 is a left side elevational view of the micro flow channel chip of FIG. 11, with the right side elevational view being a mirror image thereof;
 FIG. 14 is a front-bottom-left perspective view of the micro flow channel chip of FIG. 11; and,
 FIG. 15 is a partially enlarged perspective view of the micro flow channel chip shown in FIG. 14.

1 Claim, 15 Drawing Sheets



US D678,547 S

Page 2

U.S. PATENT DOCUMENTS

6,875,579	B1 *	4/2005	Schubert	435/7.21	D636,893	S *	4/2011	Nicholls et al.	D24/225
6,987,253	B2 *	1/2006	Bedingham et al.	219/752	8,071,035	B2 *	12/2011	Elizarov et al.	422/159
7,090,984	B2 *	8/2006	Hashimoto et al.	435/7.1	2004/0166551	A1 *	8/2004	Moulds et al.	435/13
7,329,538	B2 *	2/2008	Wainwright et al.	435/288.7	2005/0047969	A1 *	3/2005	Zhao et al.	422/100
7,407,815	B2 *	8/2008	Woolverton et al.	436/518	2007/0053798	A1 *	3/2007	Johnson et al.	422/100
7,682,817	B2 *	3/2010	Cohen et al.	435/287.1	2009/0305303	A1 *	12/2009	Duvanel et al.	435/7.2
D636,891	S *	4/2011	Nicholls et al.	D24/225	2010/0015606	A1 *	1/2010	Davies et al.	435/6
D636,892	S *	4/2011	Nicholls et al.	D24/225					

* cited by examiner

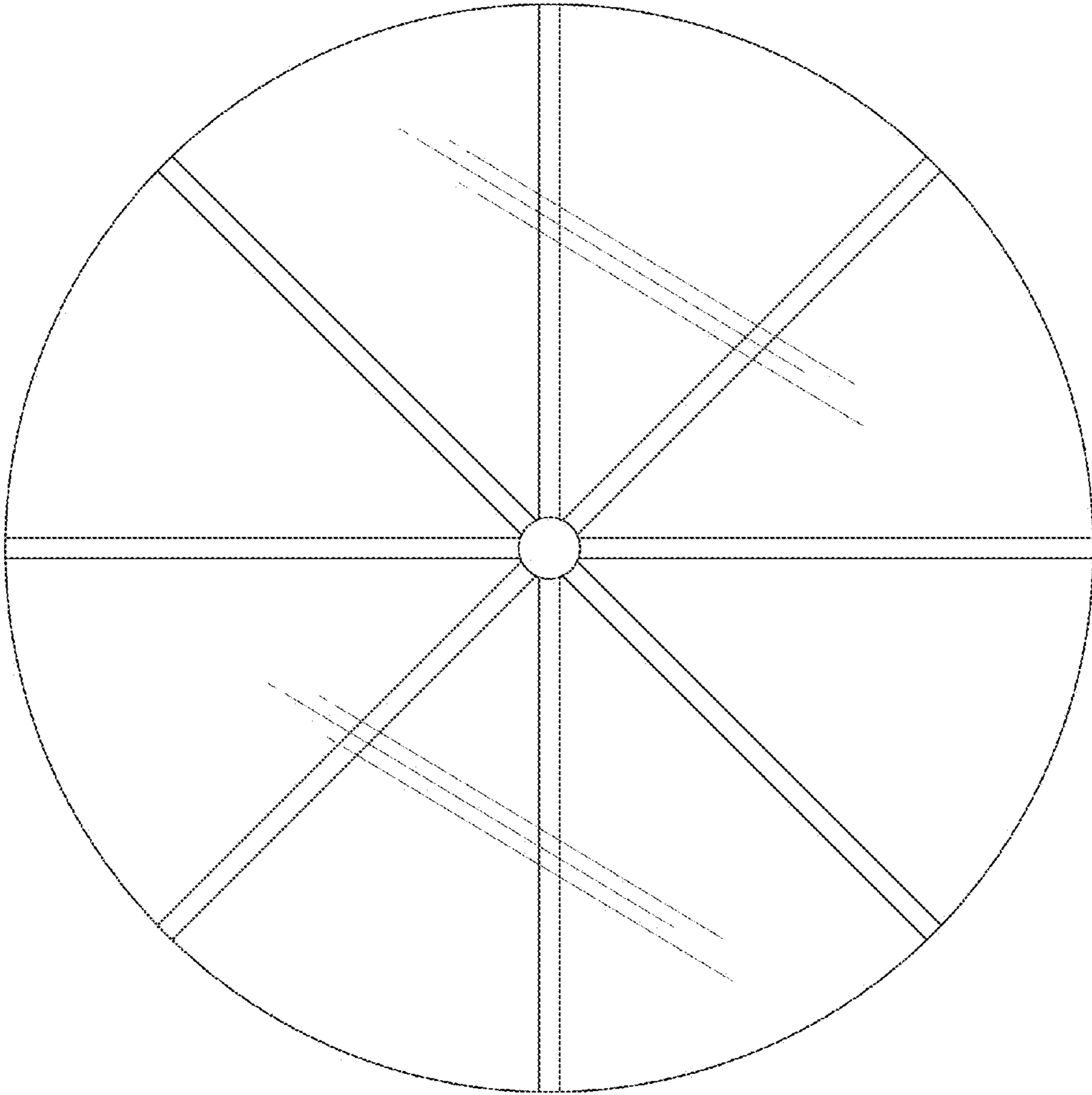


Fig.1



Fig.2

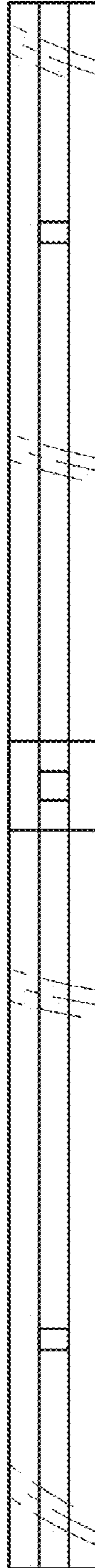


Fig.3

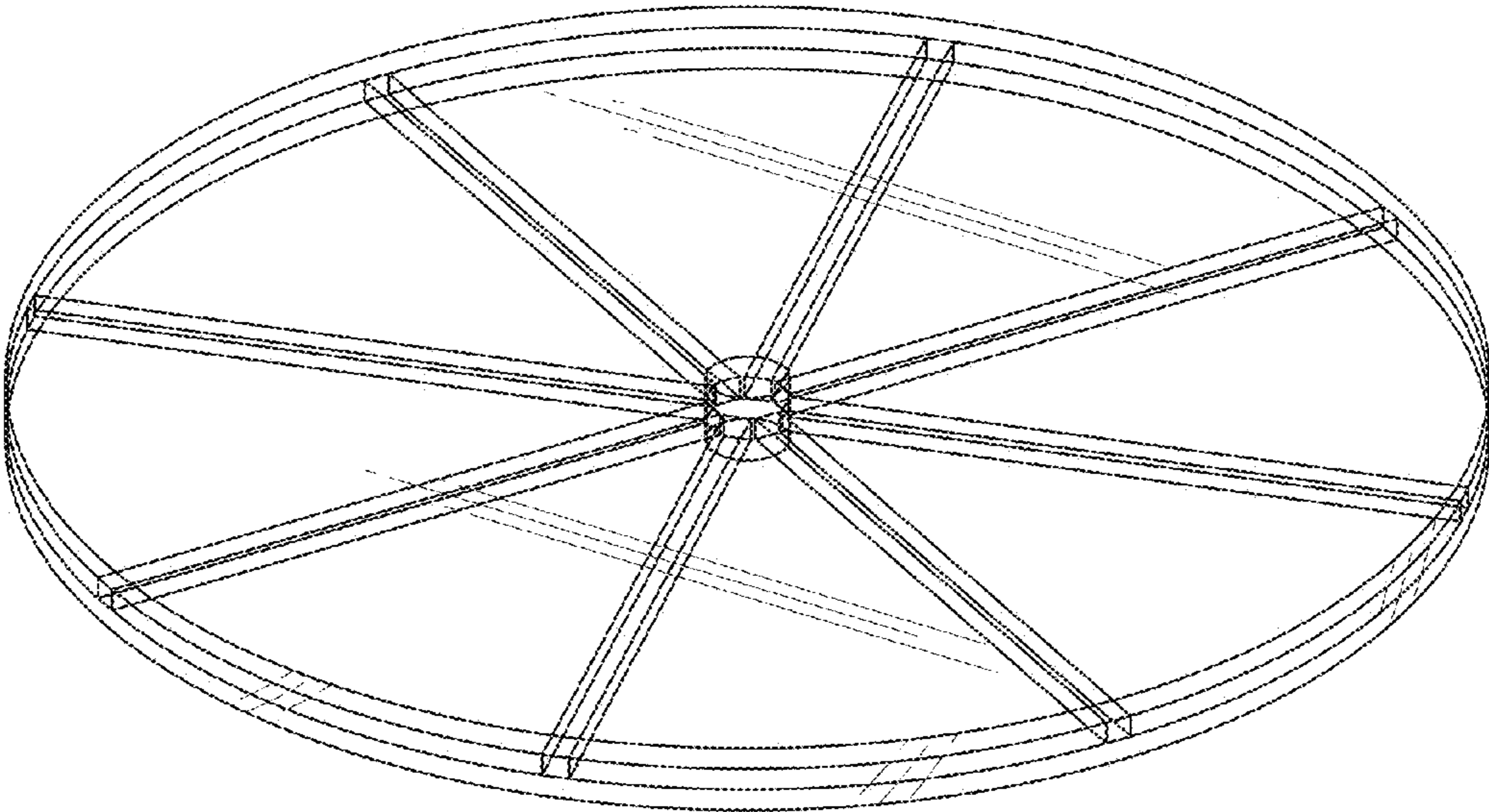


Fig.4

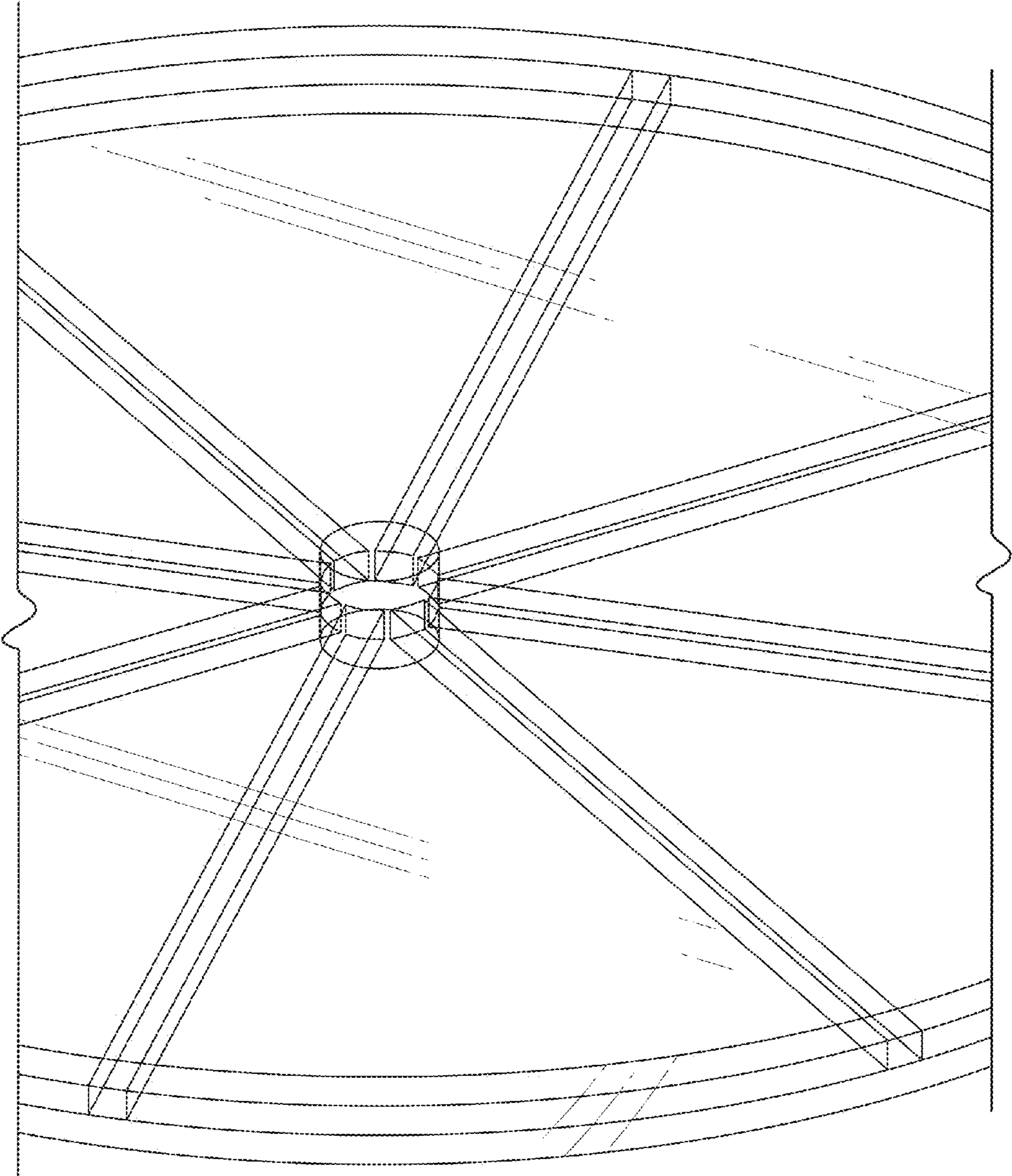


Fig.5

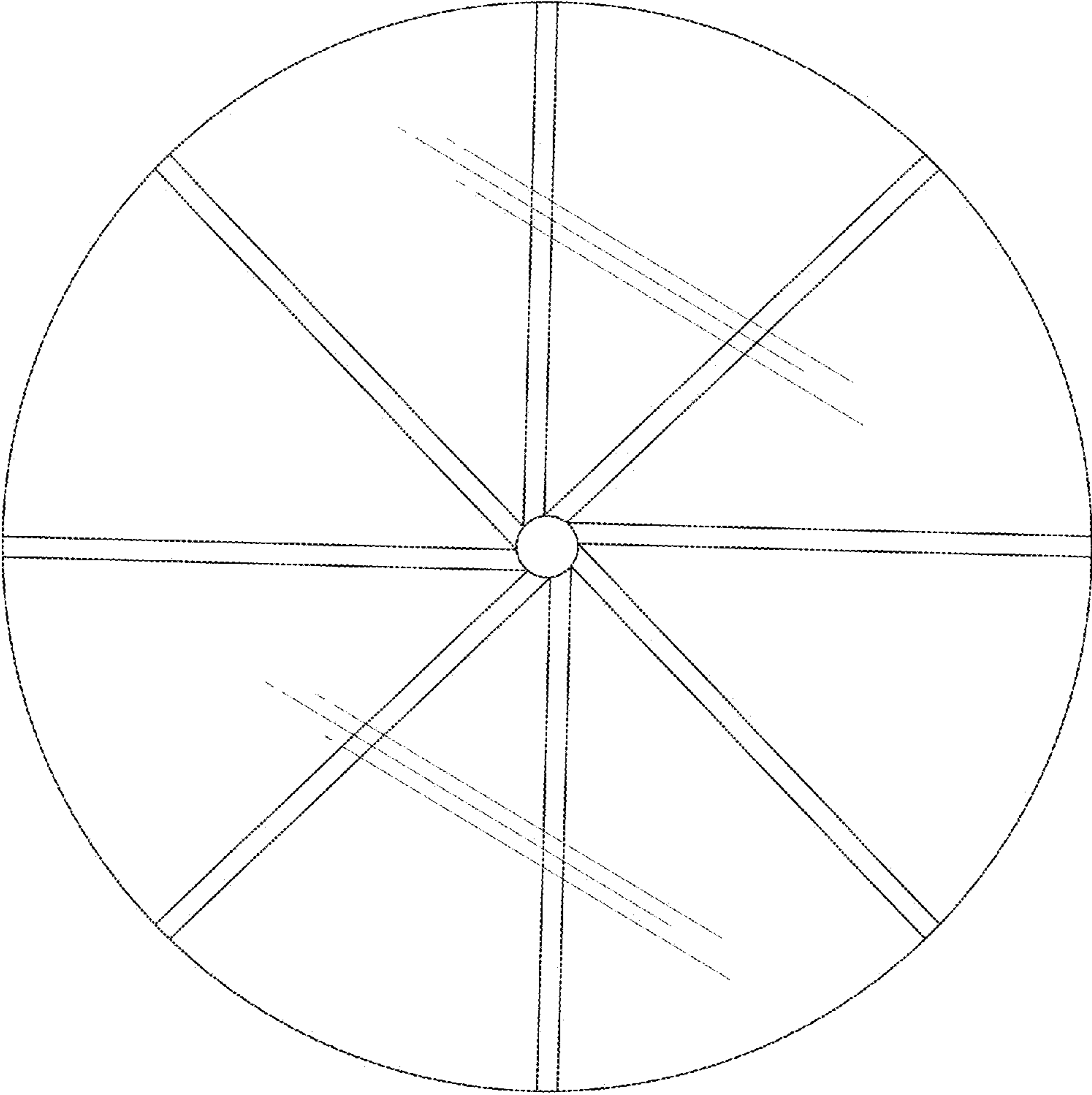


Fig.6

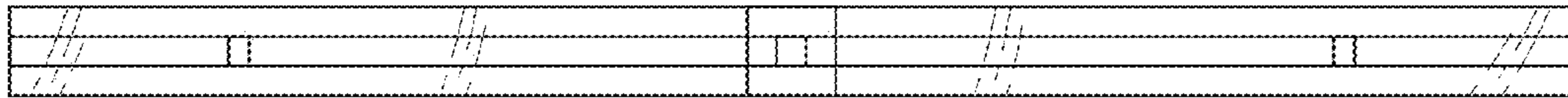


Fig.7

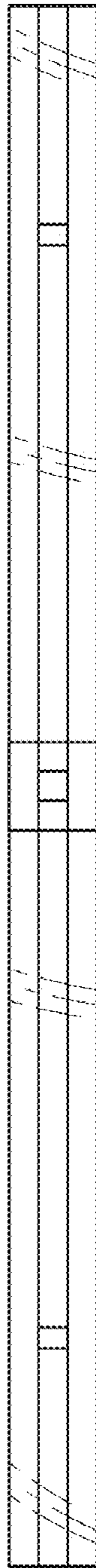


Fig.8

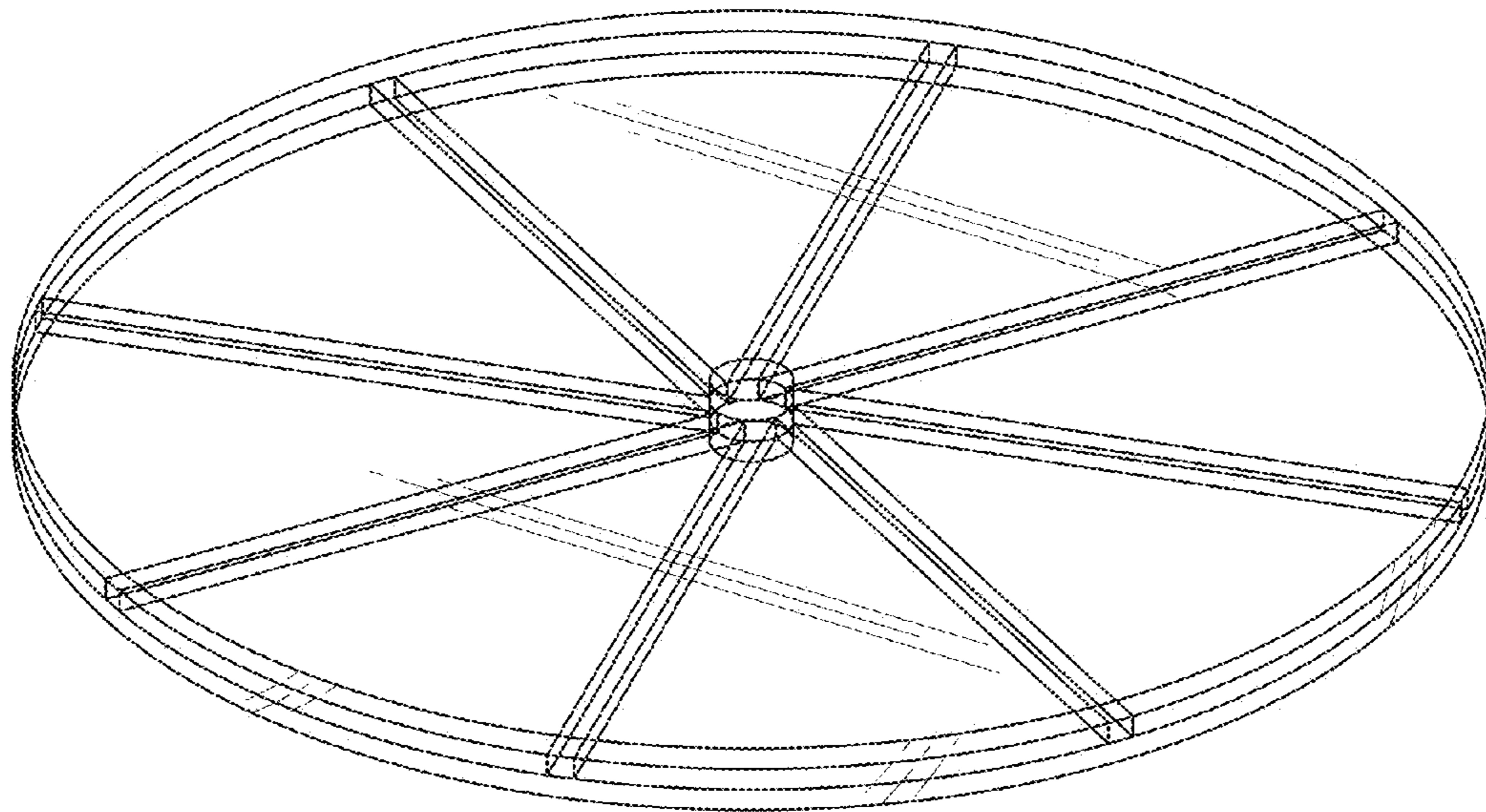


Fig.9

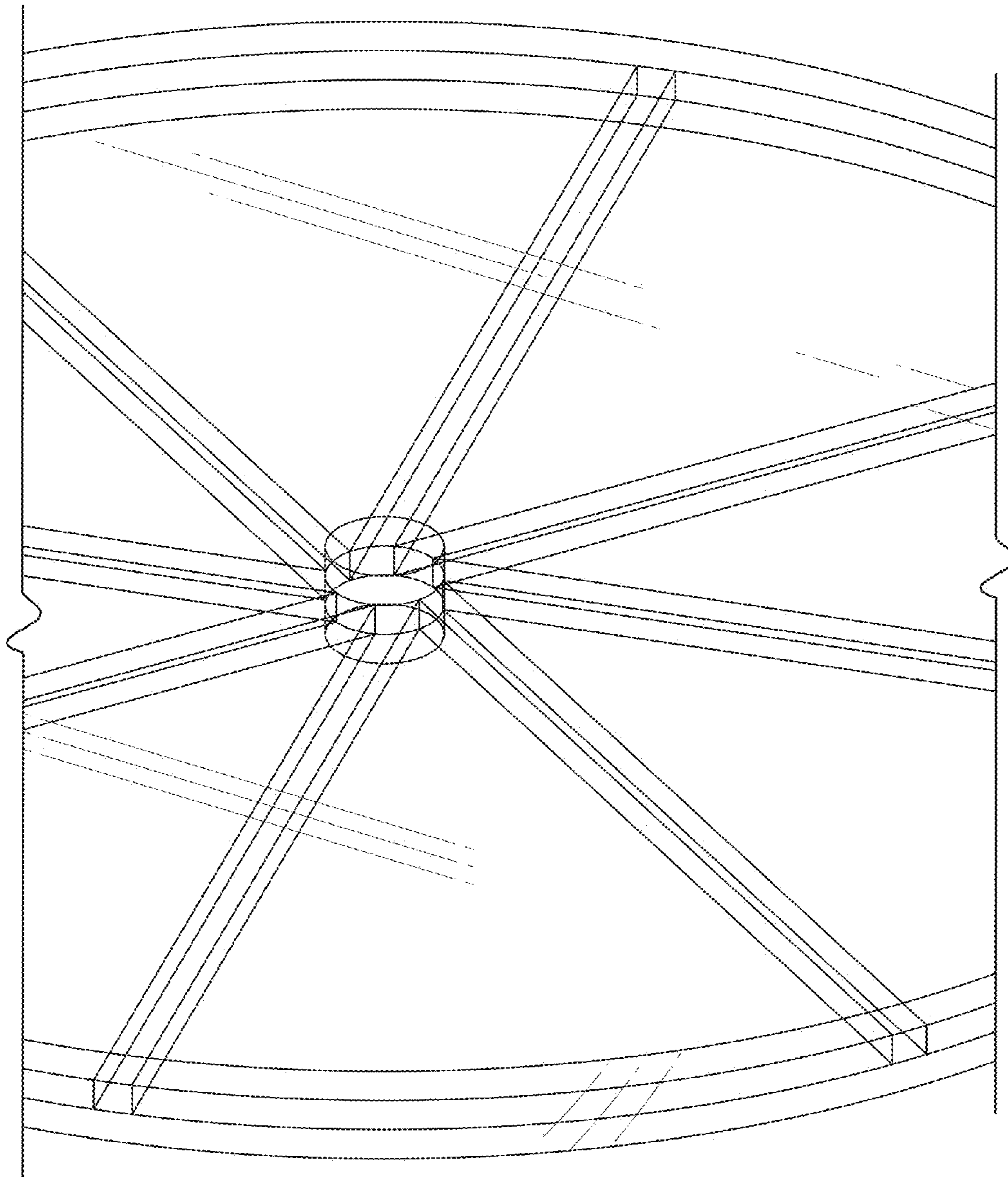


Fig.10

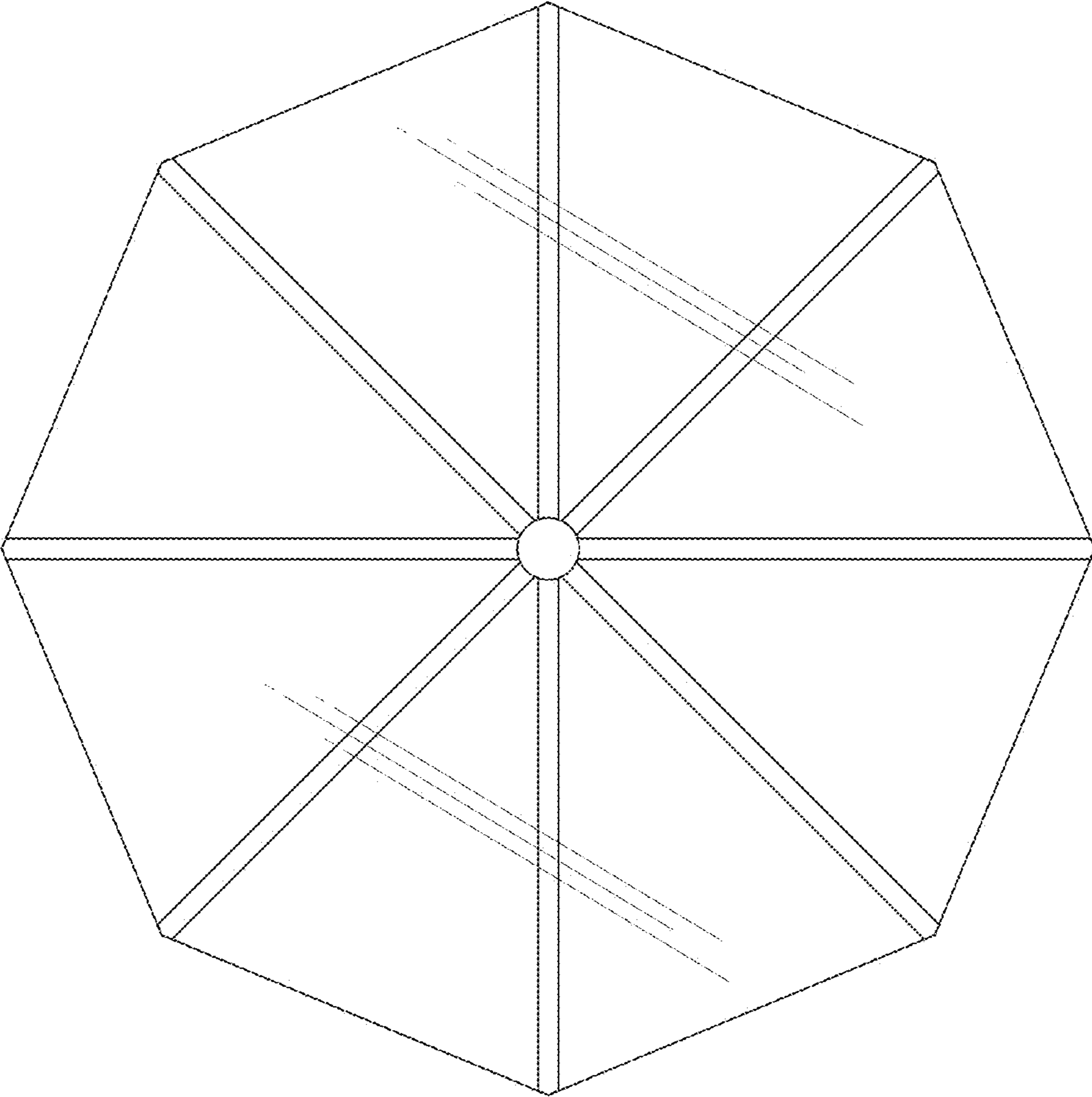


Fig.11

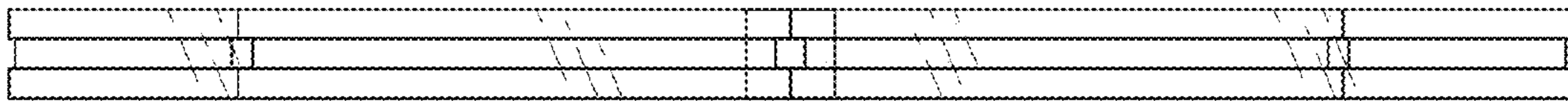


Fig.12

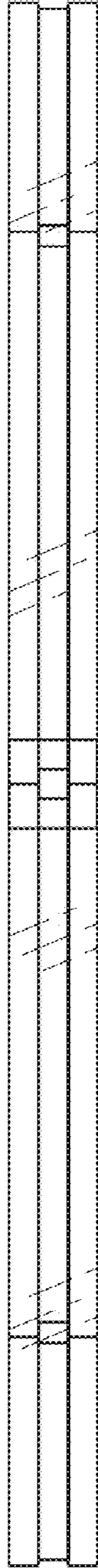


Fig.13

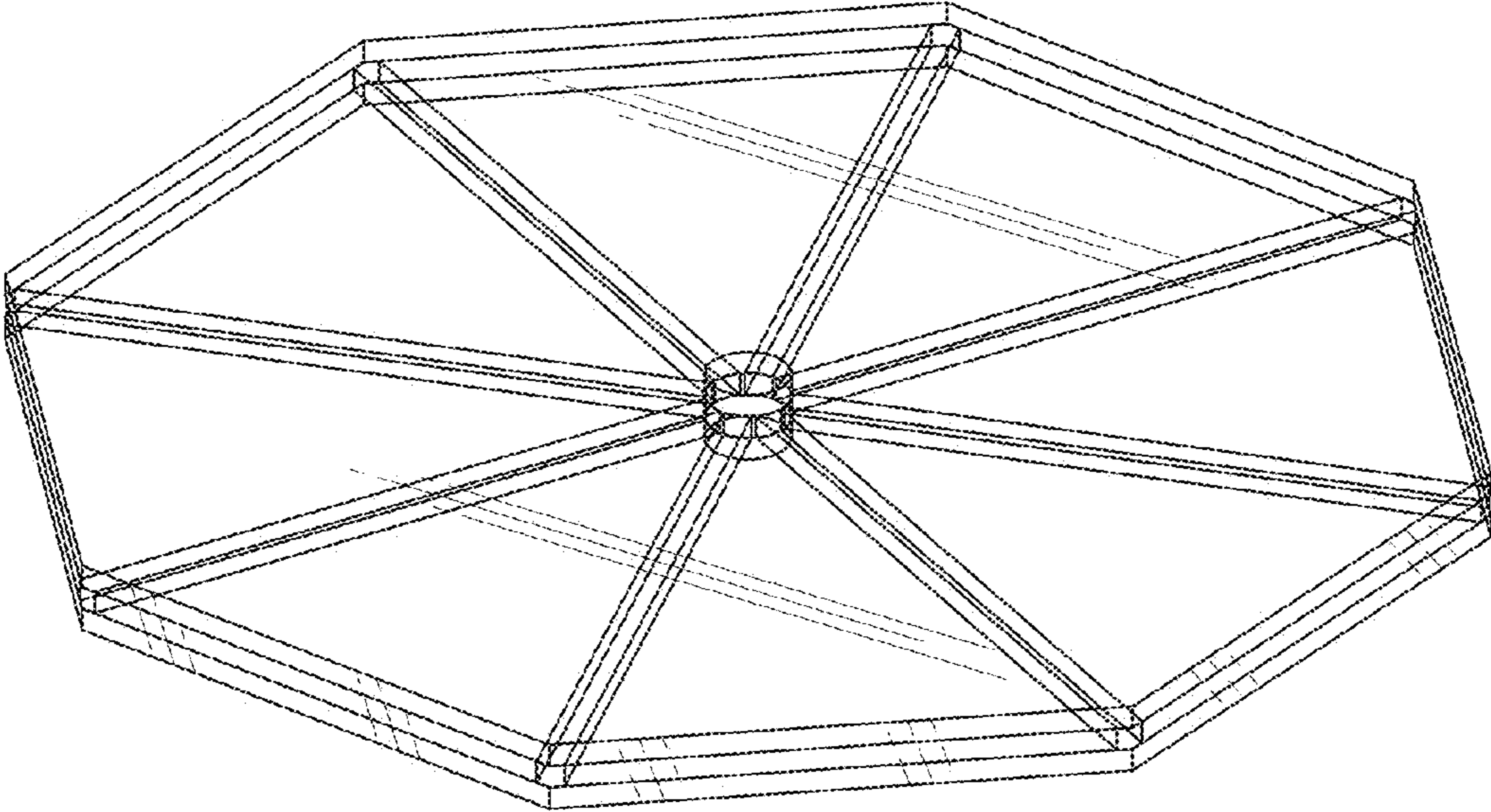


Fig.14

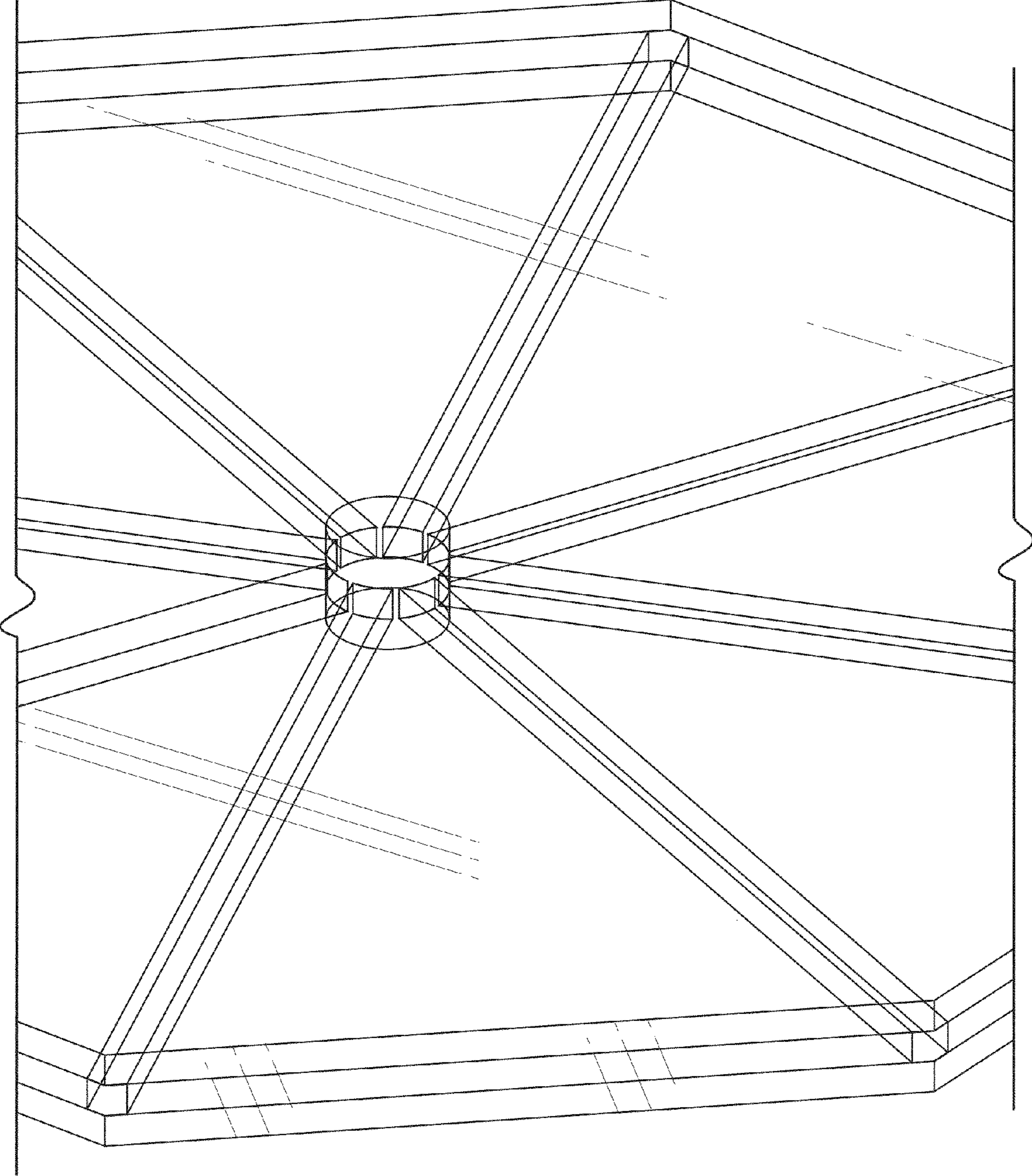


Fig.15