



US00D678546S

(12) **United States Design Patent**
Poletti

(10) **Patent No.:** **US D678,546 S**
(45) **Date of Patent:** **** Mar. 19, 2013**

(54) **DEVICE FOR
IMMUNOCHROMATOGRAPHIC BLOOD
GROUP TYPING**

(75) Inventor: **Paolo Giovanni Poletti**, Ivrea (IT)

(73) Assignee: **Agrolabo S.p.A.**, Scarmagno (IT)

(**) Term: **14 Years**

(21) Appl. No.: **29/411,260**

(22) Filed: **Jan. 18, 2012**

(51) **LOC (9) Cl.** **24-01**

(52) **U.S. Cl.** **D24/223**

(58) **Field of Classification Search** D24/216–217,
D24/219, 223–226, 227, 229–231, 232, 107,
D24/121–123; D10/81; 422/408, 430, 500,
422/502, 503, 68.1; 436/163, 164, 169
See application file for complete search history.

(56) **References Cited**

U.S. PATENT DOCUMENTS

D299,860 S * 2/1989 Fan et al. D24/225
D315,791 S * 3/1991 Meyers et al. D24/226
5,354,692 A * 10/1994 Yang et al. 436/514
D360,950 S * 8/1995 Mazurek D24/223

D498,850 S * 11/2004 Ukon D24/223
D595,860 S * 7/2009 Yokogawa et al. D24/225
D605,304 S * 12/2009 Aoki D24/224
D606,664 S * 12/2009 Jacono et al. D24/225
D608,012 S * 1/2010 Yamaichi et al. D24/224
2009/0311141 A1* 12/2009 Park 422/56

* cited by examiner

Primary Examiner — Anhdao Doan

(74) *Attorney, Agent, or Firm* — Young & Thompson

(57) **CLAIM**

The ornamental design for a device for immunochromatographic blood group typing, as shown.

DESCRIPTION

FIG. 1 is a front elevational view of a device for immunochromatographic blood group typing, showing my new design;

FIG. 2 is a right side elevational view thereof;

FIG. 3 is a left side elevational view thereof;

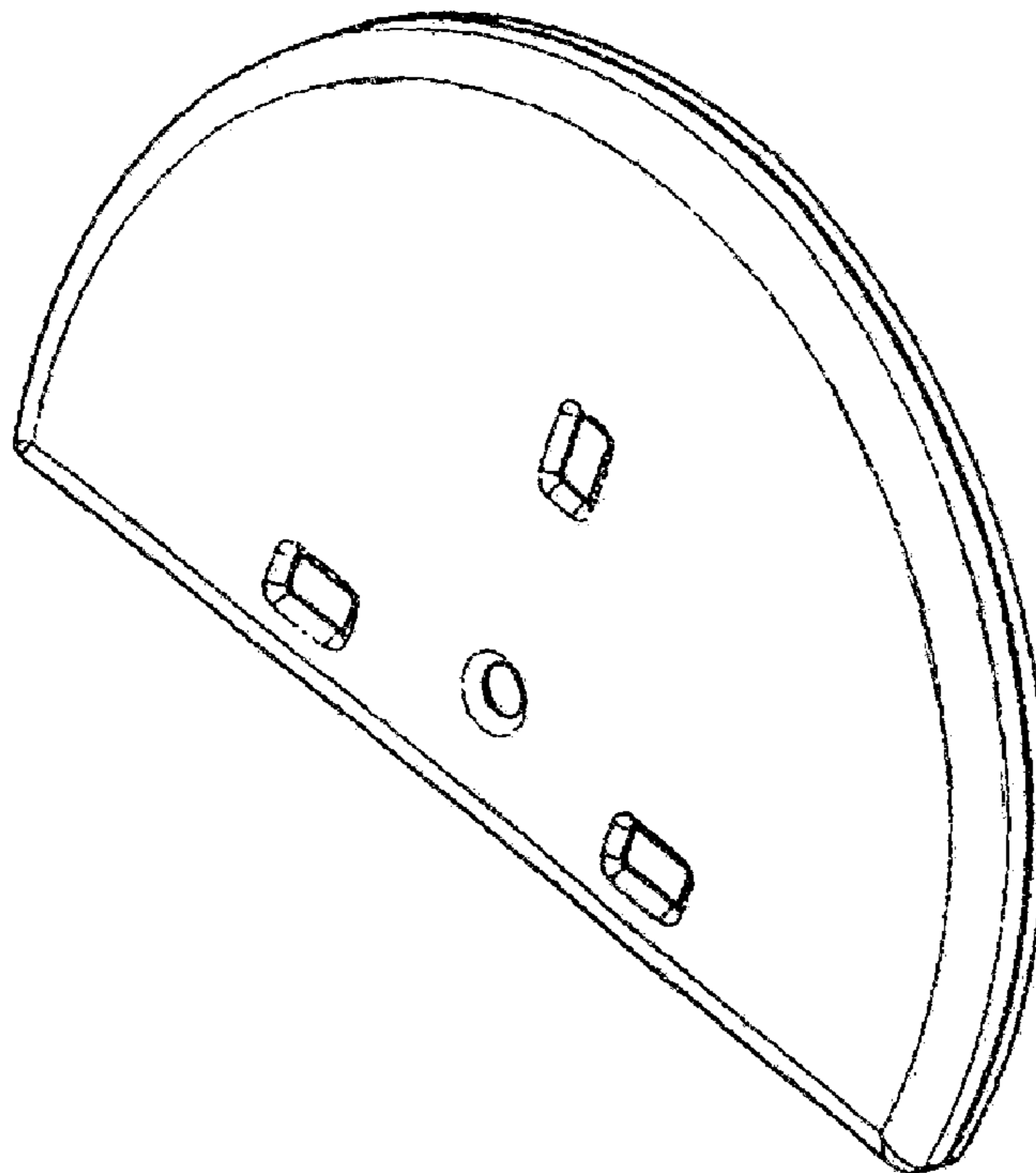
FIG. 4 is a top plan view thereof;

FIG. 5 is a bottom plan view thereof;

FIG. 6 is a rear elevational view thereof; and,

FIG. 7 is an isometric view thereof.

1 Claim, 2 Drawing Sheets



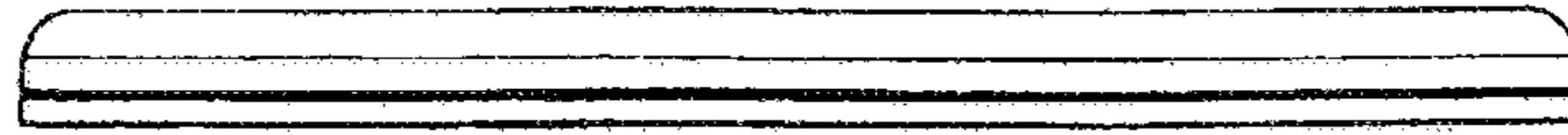


FIG. 4

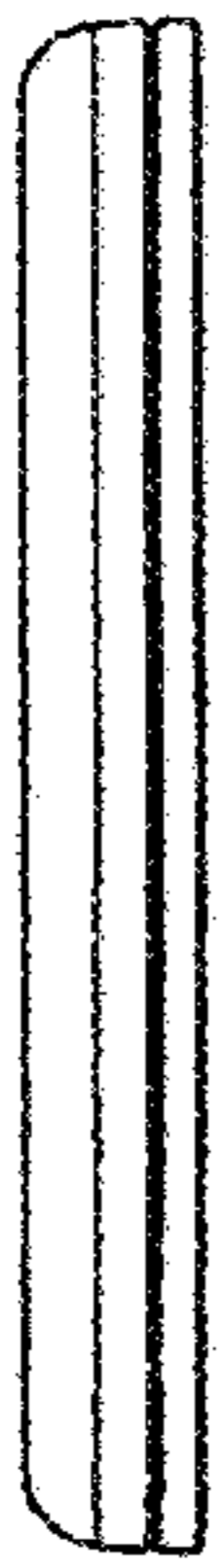


FIG. 2

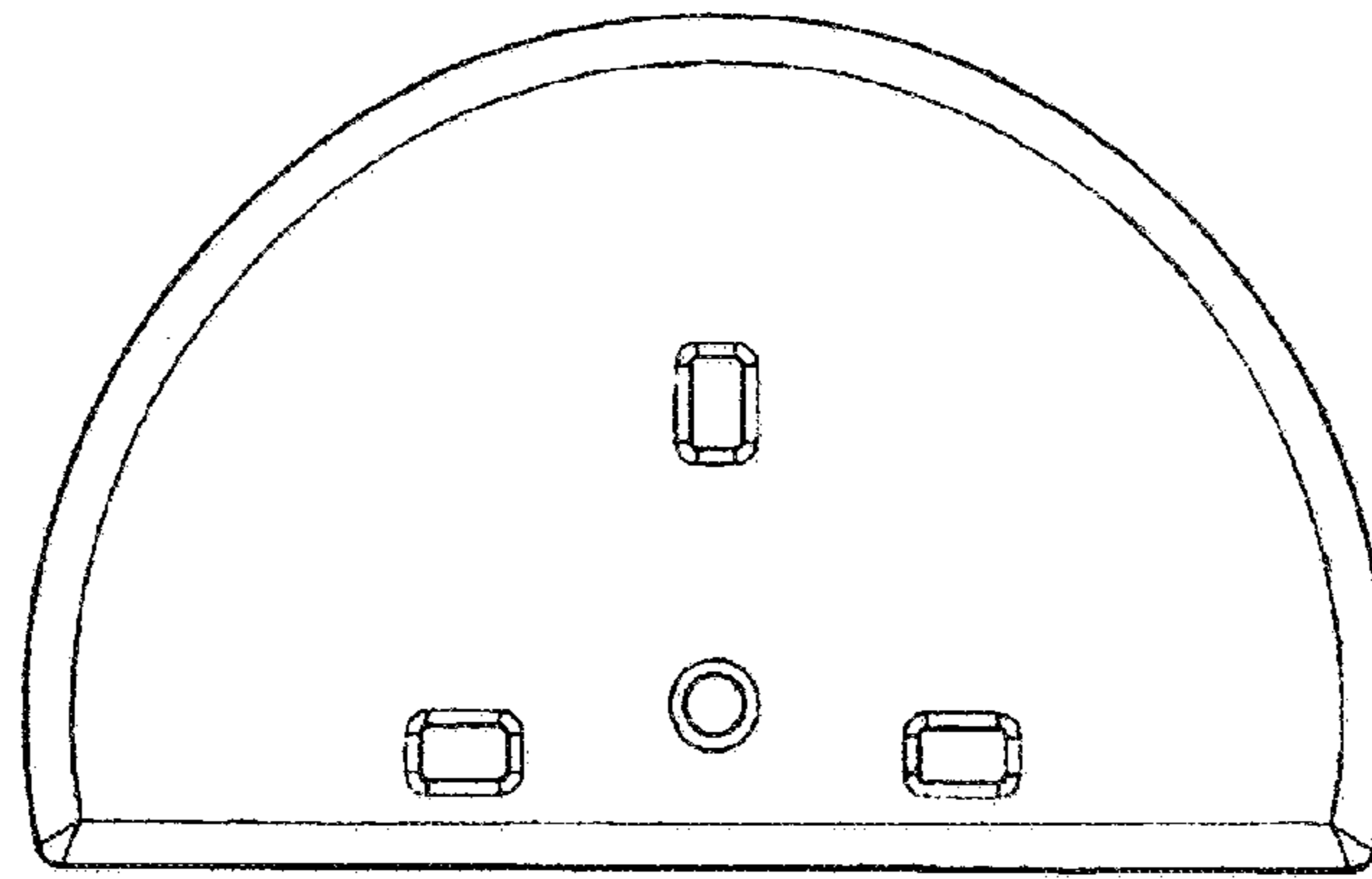


FIG. 1



FIG. 3

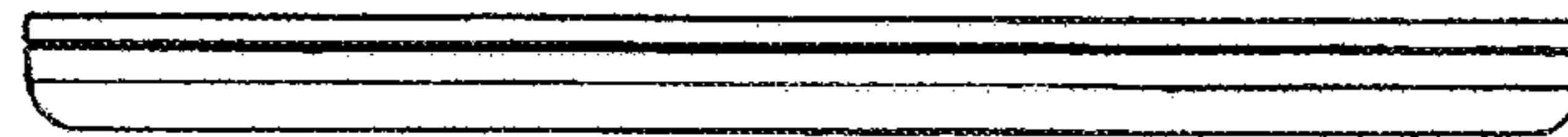


FIG. 5

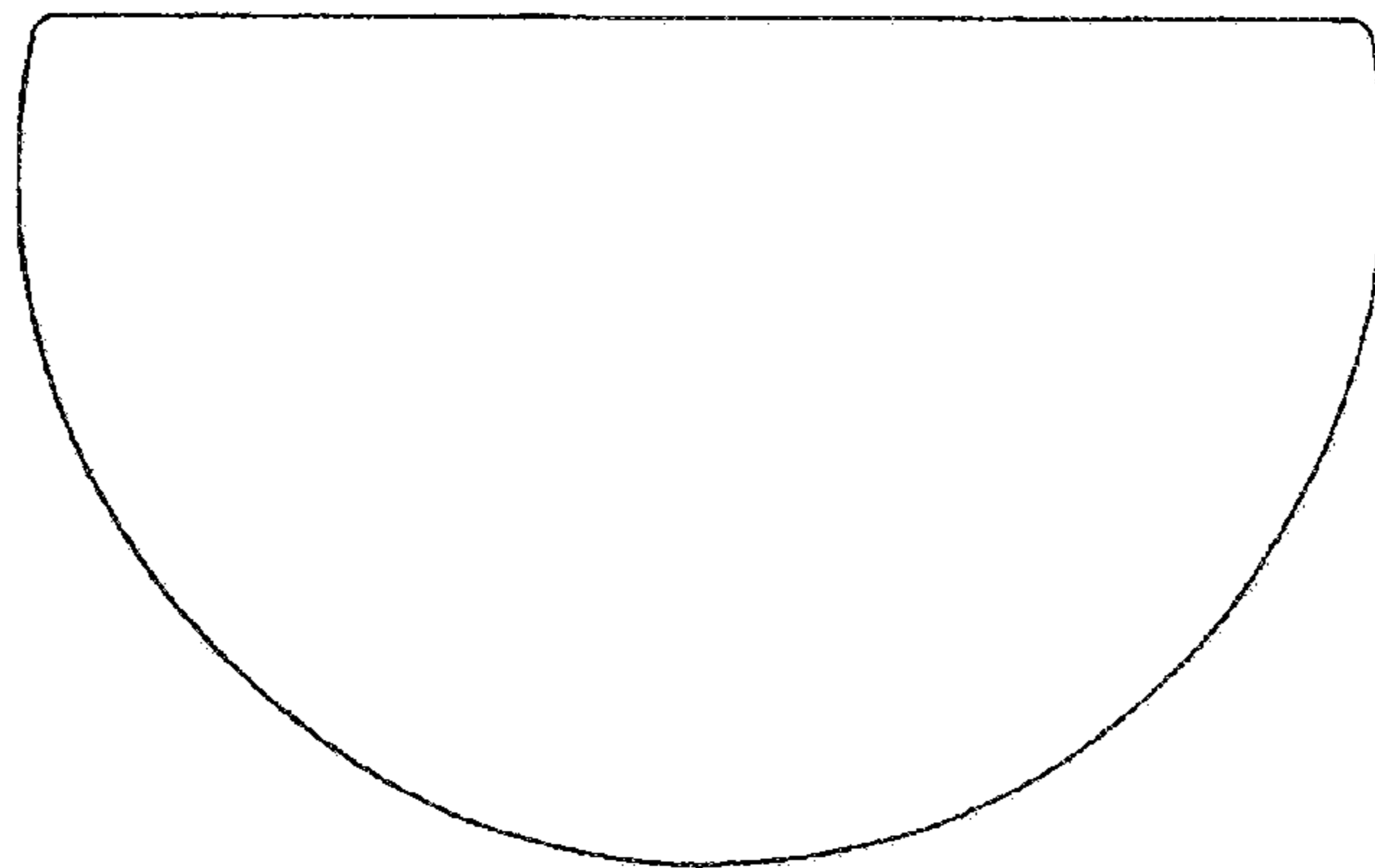


FIG. 6

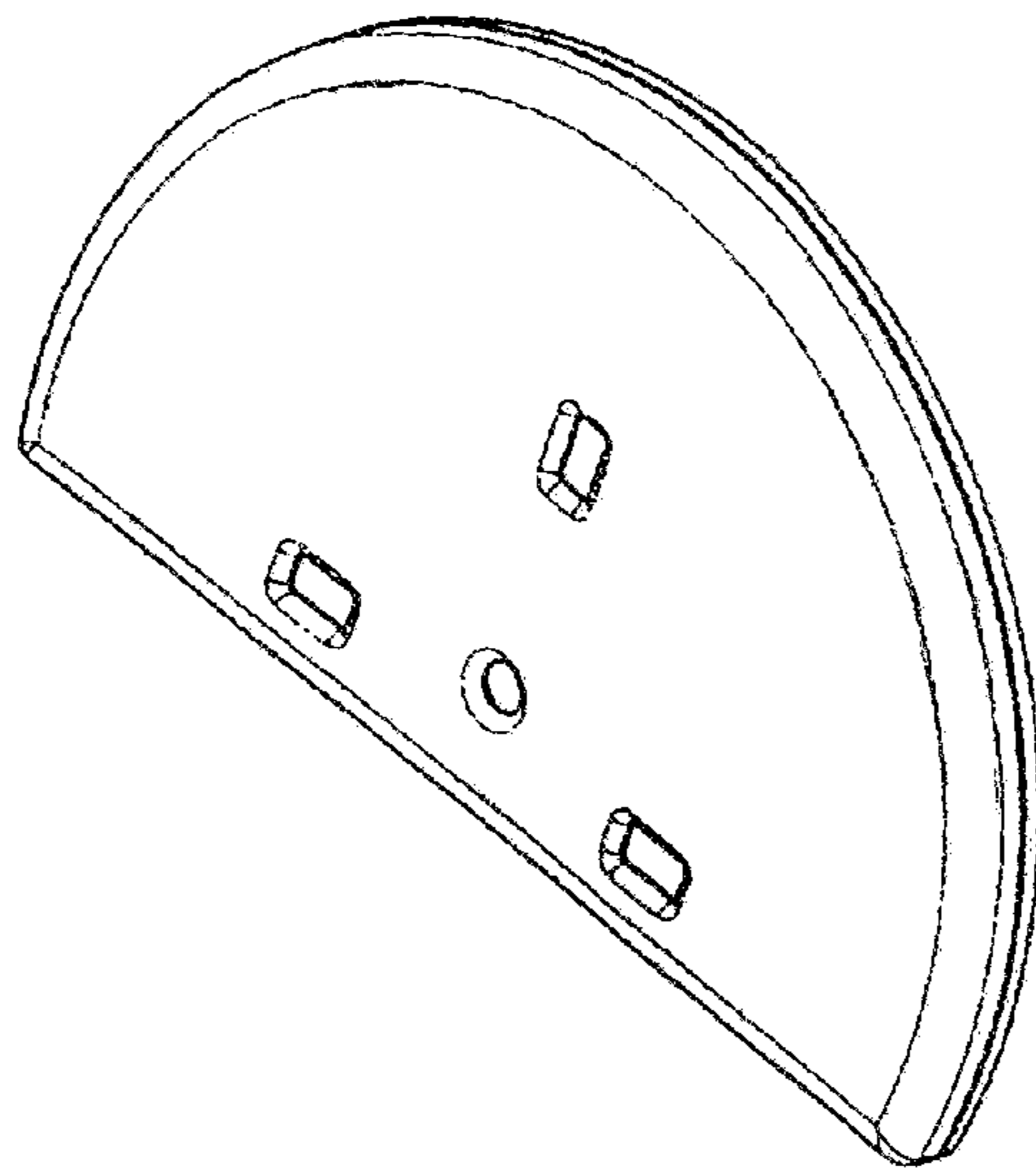


FIG. 7